



US00D760848S

(12) **United States Design Patent**
McKenna et al.

(10) **Patent No.:** **US D760,848 S**
(45) **Date of Patent:** **** Jul. 5, 2016**

(54) **PAYLOAD AIRCRAFT**
(71) Applicant: **Aurora Flight Sciences Corporation**,
Manassas, VA (US)
(72) Inventors: **Terrence McKenna**, Manassas, VA
(US); **Donald Rogers**, Manassas, VA
(US); **Fabrice Kunzi**, Manassas, VA
(US)
(73) Assignee: **Aurora Flight Sciences Corporation**,
Manassas, VA (US)
(**) Term: **14 Years**

5,082,079 A * 1/1992 Lissaman B64C 27/20
180/118
6,260,796 B1 * 7/2001 Klingensmith B05D 1/0858
244/17.11
D628,658 S * 12/2010 Wurm D21/442
D691,514 S * 10/2013 Wang D12/16.1
8,967,029 B1 * 3/2015 Calvert F41H 13/00
239/171
9,061,763 B1 * 6/2015 Christensen A63H 17/28
9,099,902 B2 * 8/2015 Chen H02K 5/225
2010/0243794 A1 * 9/2010 Jermyn A63H 27/12
244/17.23
2015/0129711 A1 * 5/2015 Caubel B64C 27/008
244/17.23
2015/0260526 A1 * 9/2015 Paduano G01C 21/20
701/461

(21) Appl. No.: **29/494,383**
(22) Filed: **Jun. 19, 2014**
(51) **LOC (10) Cl.** **21-01**
(52) **U.S. Cl.**
USPC **D21/441**; D12/16.1
(58) **Field of Classification Search**
USPC D12/16.1, 19, 322, 323, 326, 327, 328,
D12/329, 330, 339, 341, 342, 343, 344;
D21/436, 438, 439, 440, 441, 446, 447,
D21/448, 449, 450, 453
CPC B64C 39/00; B64C 30/00; B64C 29/00;
B64C 5/06
See application file for complete search history.

* cited by examiner

Primary Examiner — Robert M Spear
Assistant Examiner — Marissa J Cash

(74) *Attorney, Agent, or Firm* — Michael Stanley Tomsa;
McAndrews, Held & Malloy, Ltd.

(57) **CLAIM**

The ornamental design for a payload aircraft, as shown and described.

DESCRIPTION

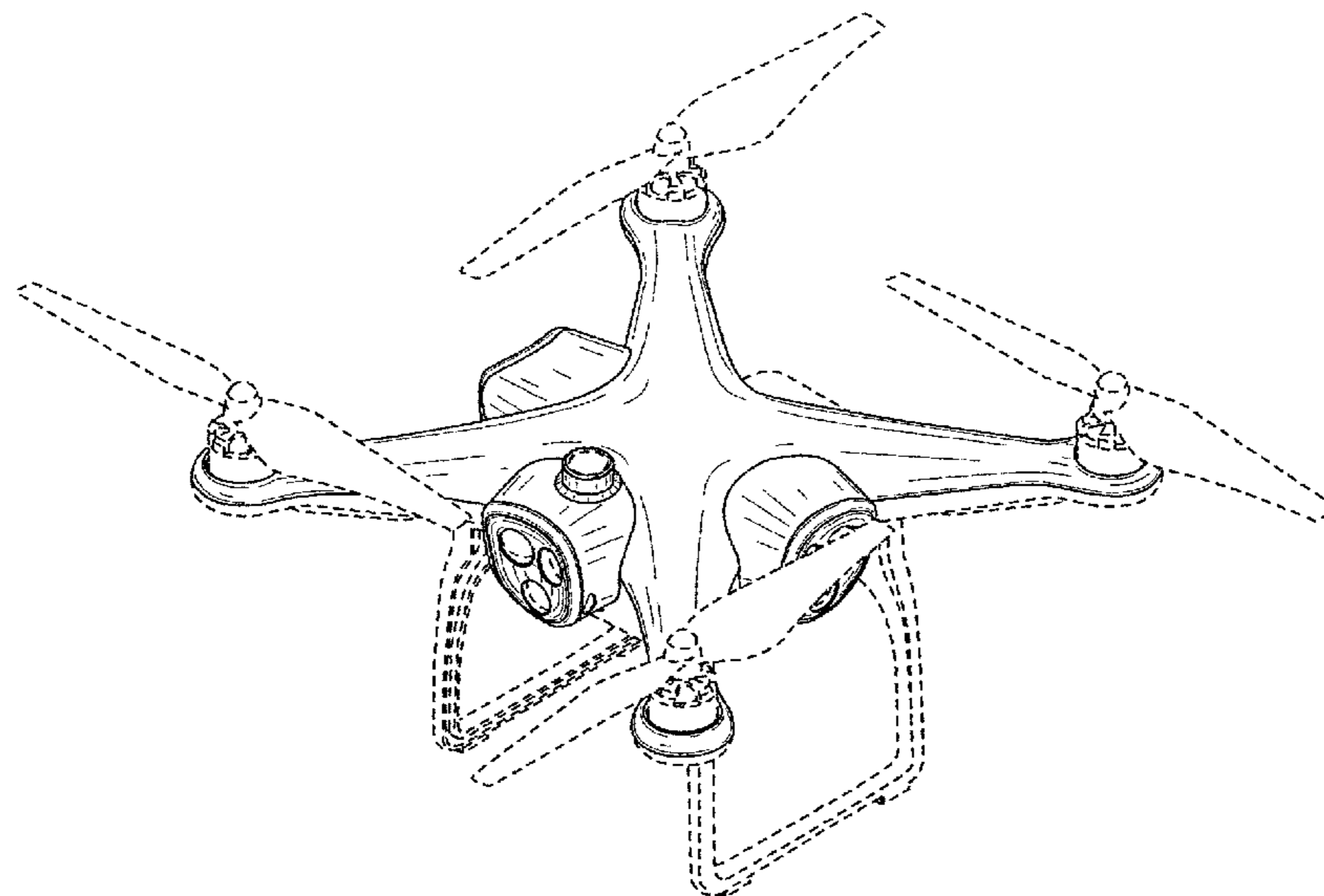
FIG. 1 is a top perspective view of a payload aircraft;
FIG. 2 is a bottom perspective view of a payload aircraft;
FIG. 3 is a first side view of a payload aircraft;
FIG. 4 is a second side view of a payload aircraft;
FIG. 5 is a third side view of a payload aircraft;
FIG. 6 is a fourth side view of a payload aircraft;
FIG. 7 is a top view of a payload aircraft; and,
FIG. 8 is a bottom view of a payload aircraft.
The broken line drawings in all views are for illustrative purposes only and form no part of the claimed design.

(56) **References Cited**

U.S. PATENT DOCUMENTS

3,614,029 A * 10/1971 Eickmann B64C 11/00
244/17.23
3,768,757 A * 10/1973 Eickmann B64C 27/12
244/17.23
4,913,377 A * 4/1990 Eickmann B64C 29/00
244/17.11

1 Claim, 5 Drawing Sheets



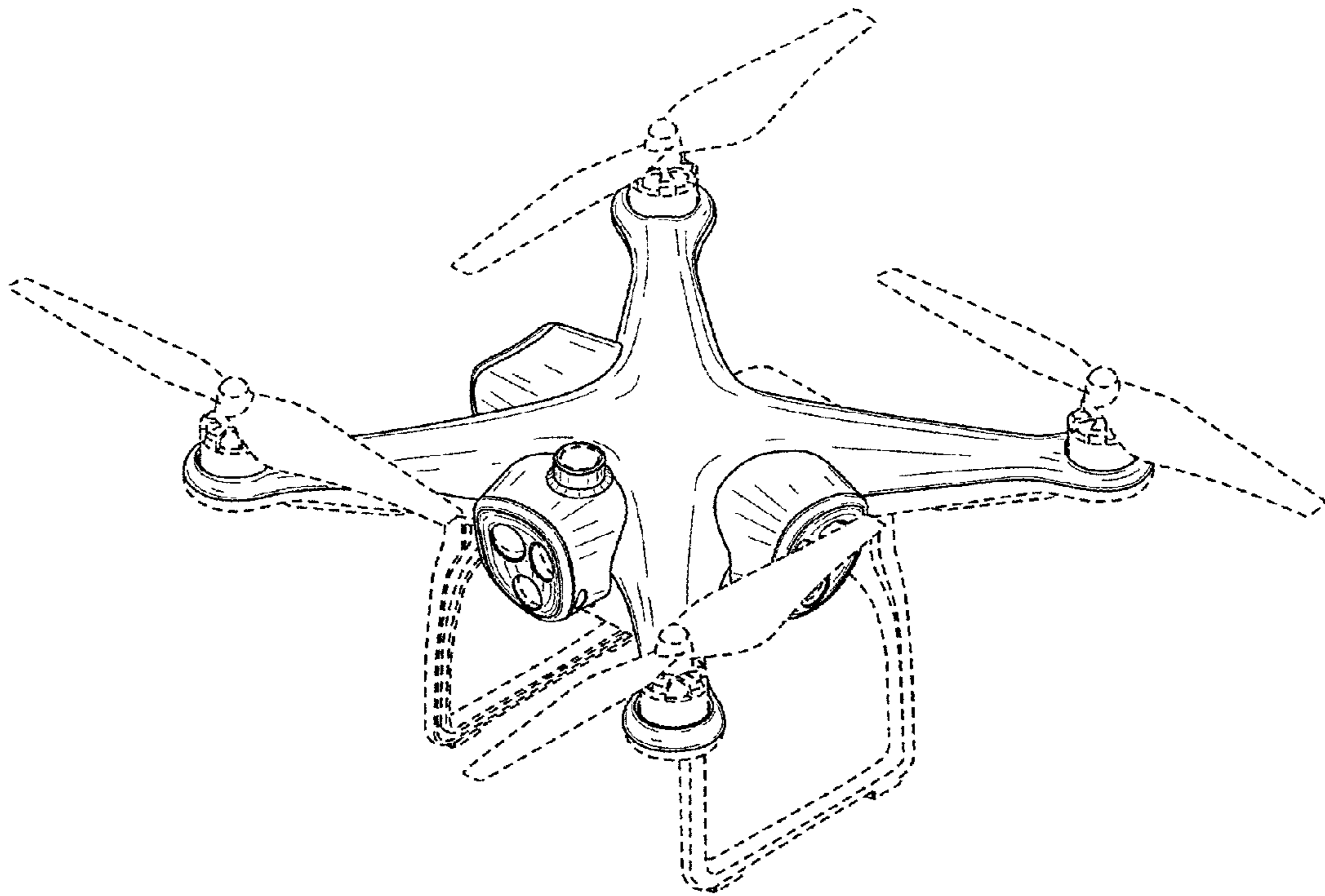


FIG. 1

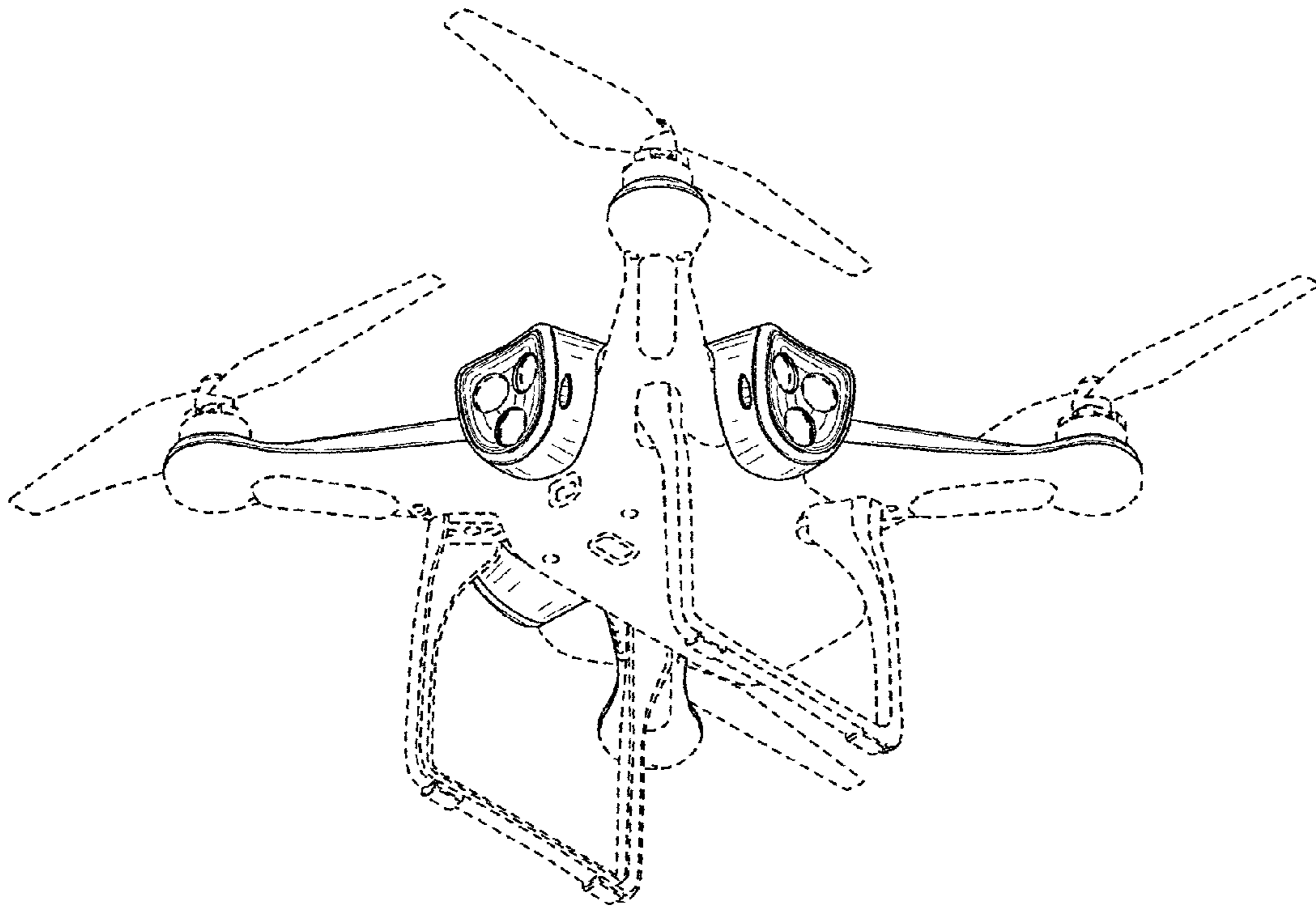


FIG. 2

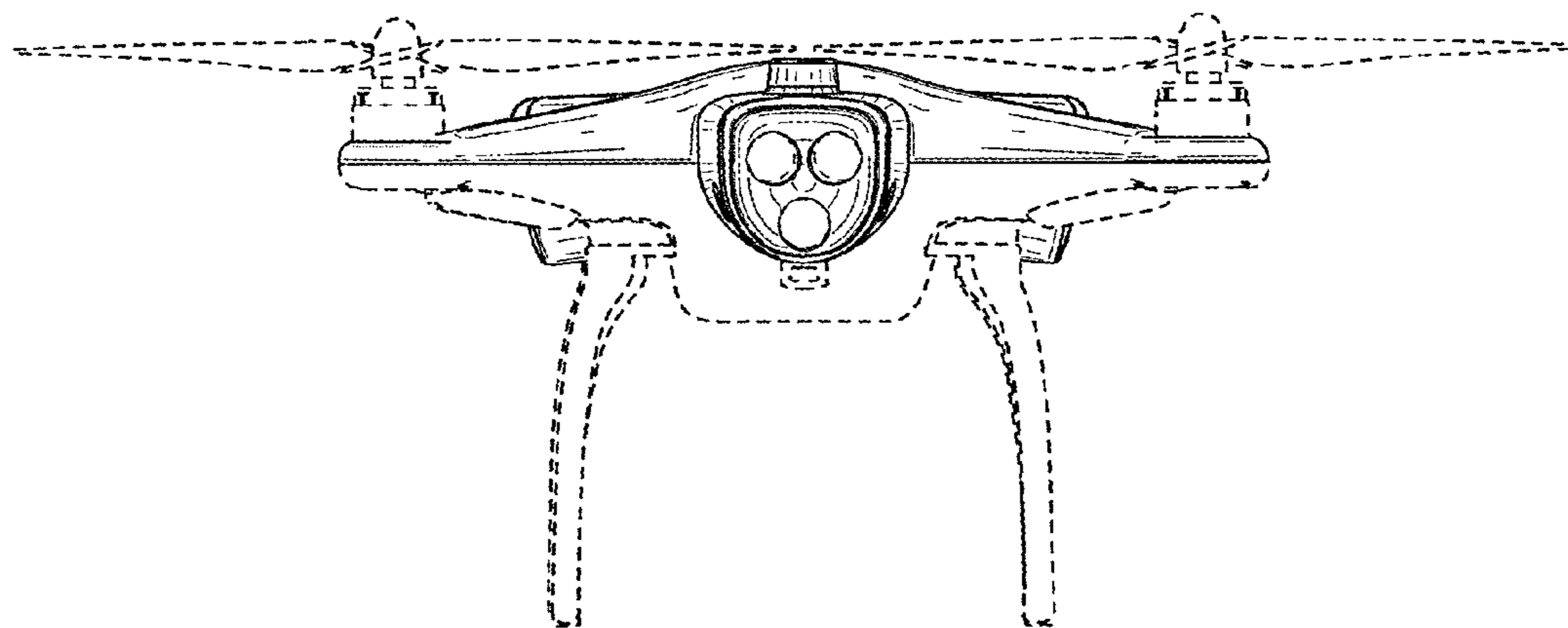


FIG. 3

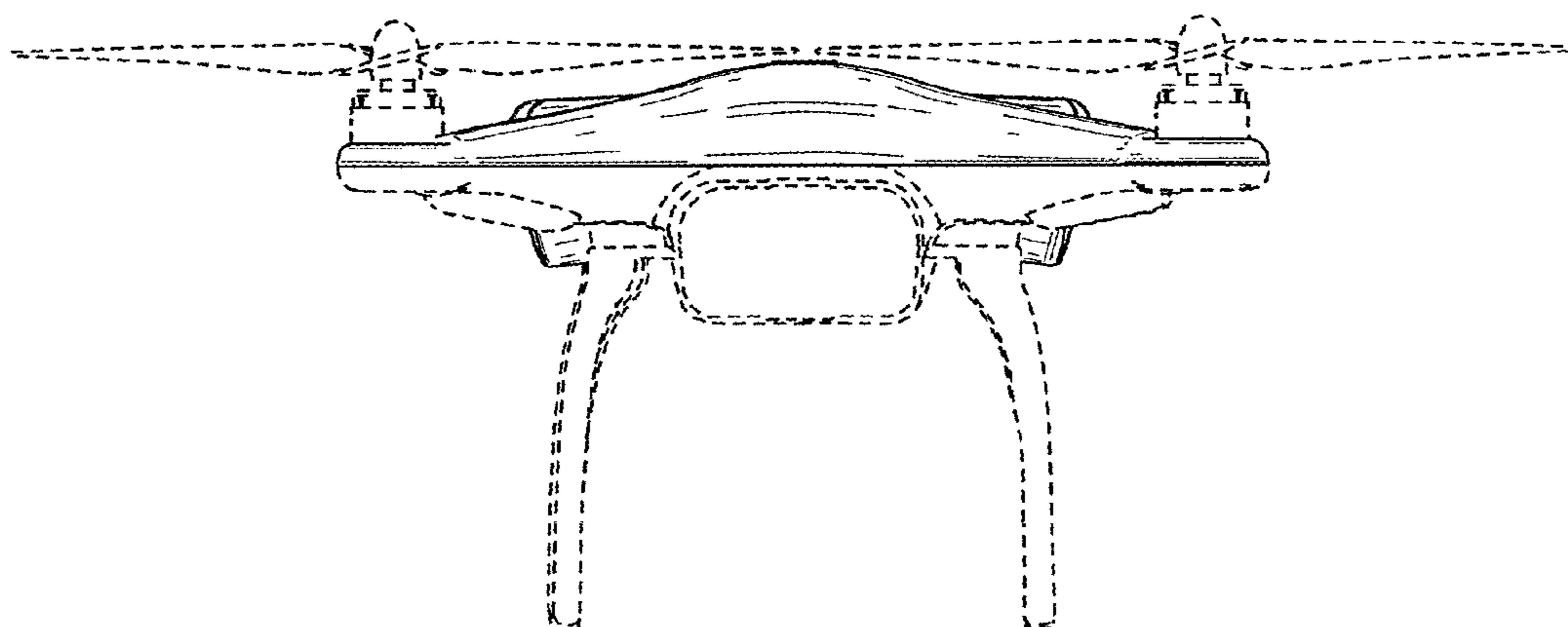


FIG. 4

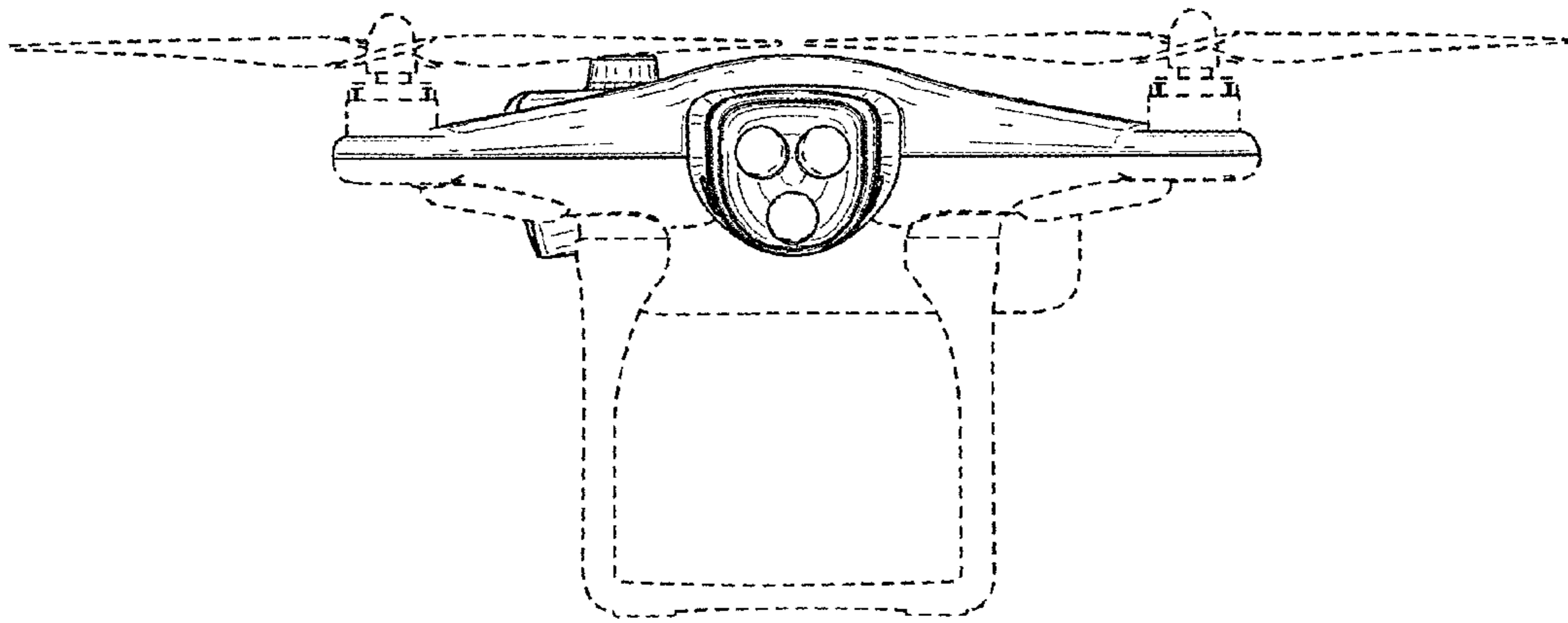


FIG. 5

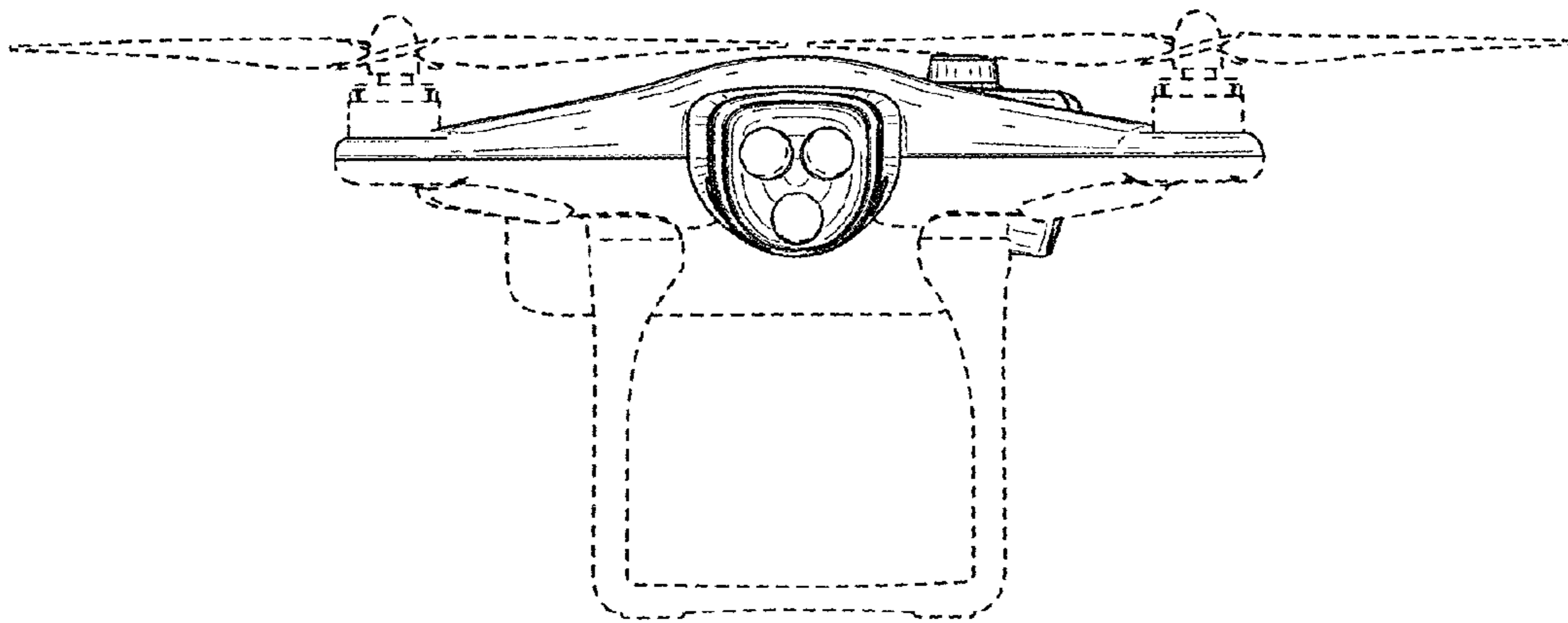


FIG. 6

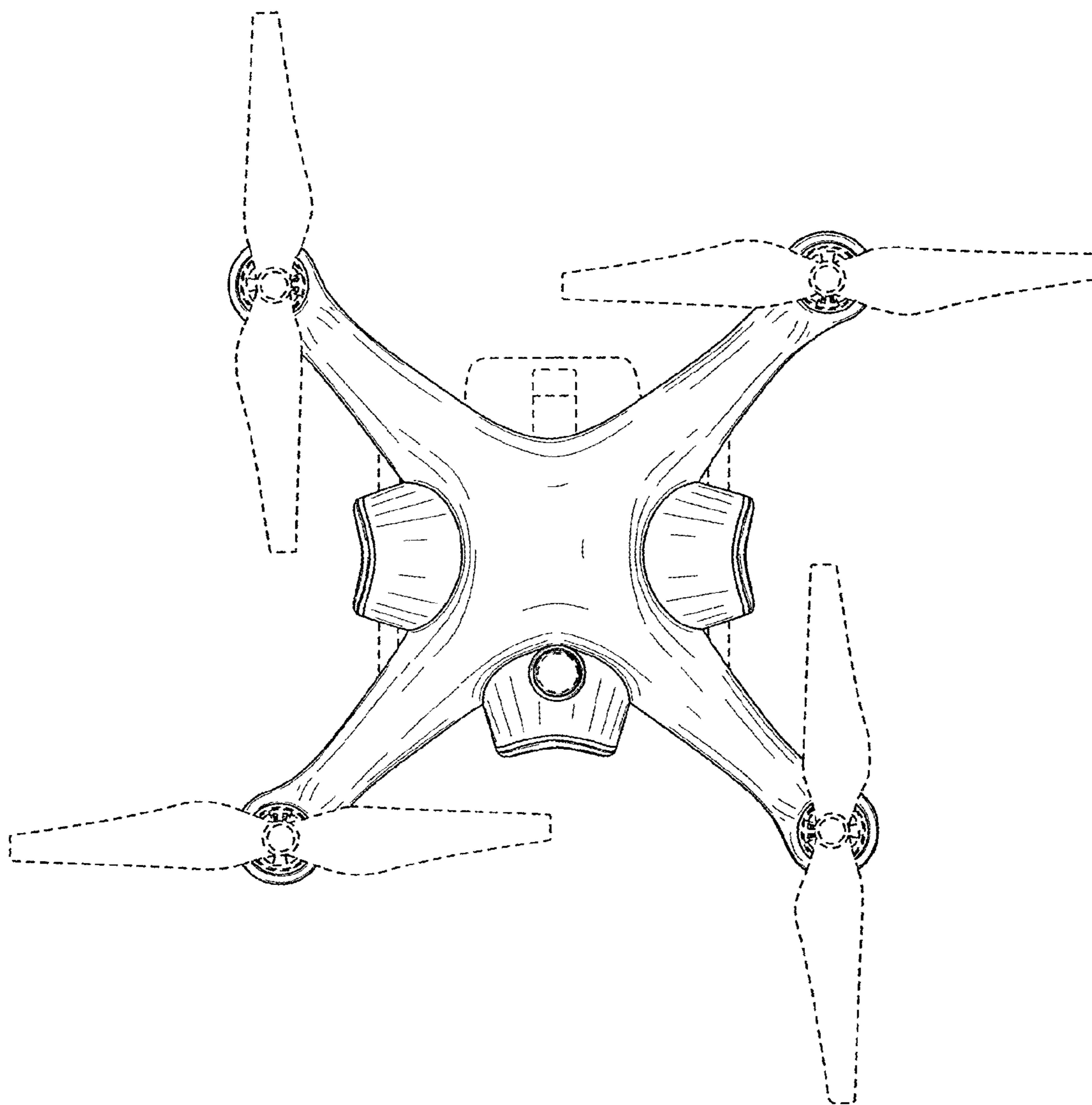


FIG. 7

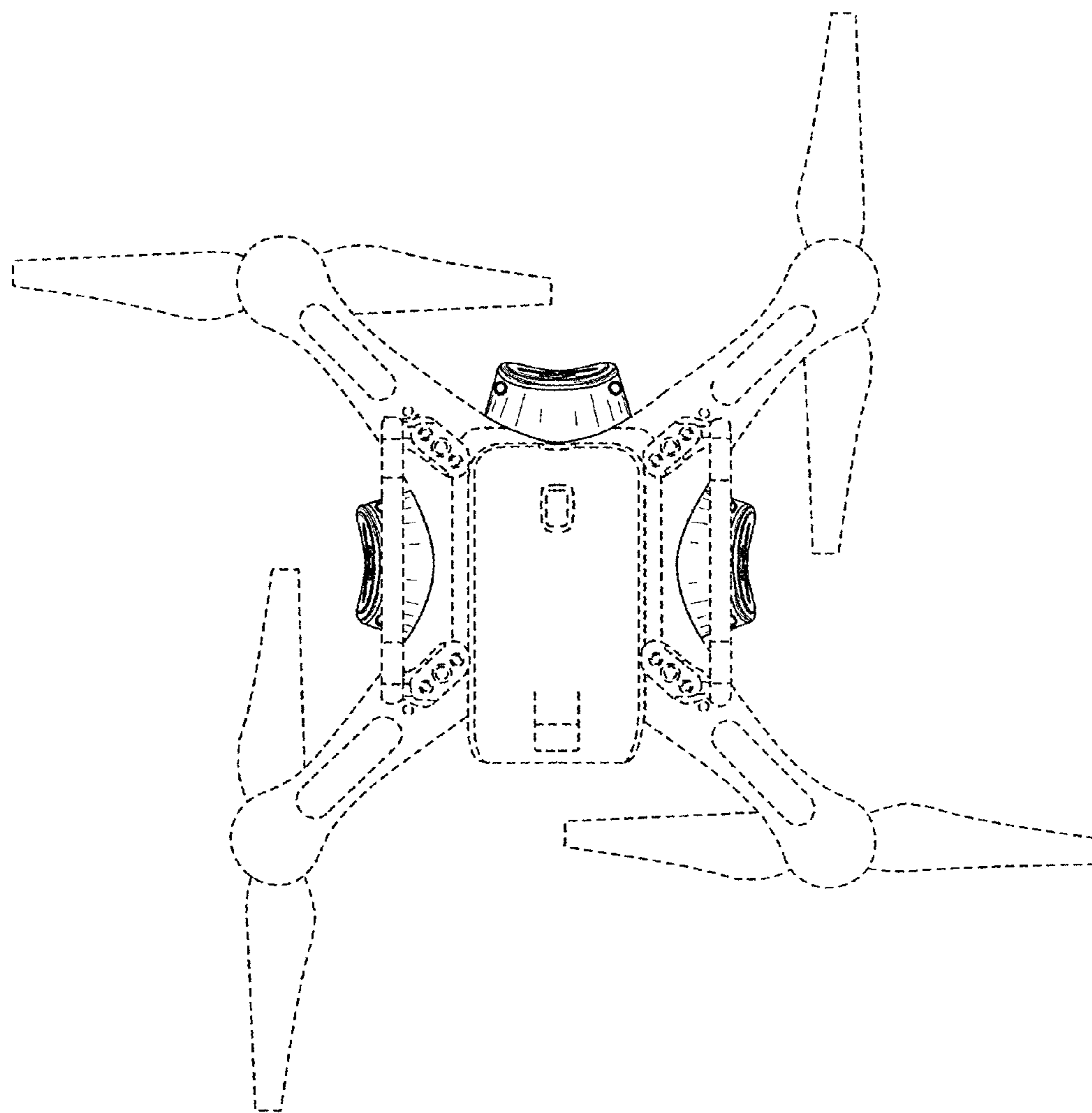


FIG. 8