



US00D760841S

(12) **United States Design Patent**
Won

(10) **Patent No.:** **US D760,841 S**
(45) **Date of Patent:** **** Jul. 5, 2016**

(54) **GAME CONTROLLER ATTACHABLE TO A MODEL GUN**

(71) Applicant: **UZBRAINNET CORPORATION**,
Seoul (KR)

(72) Inventor: **You Seuk Won**, Seoul (KR)

(**) Term: **14 Years**

(21) Appl. No.: **29/524,793**

(22) Filed: **Apr. 23, 2015**

(30) **Foreign Application Priority Data**

Nov. 21, 2014 (KR) 30-2014-0056311

(51) **LOC (10) Cl.** **21-01**

(52) **U.S. Cl.**
USPC **D21/333**

(58) **Field of Classification Search**
USPC D14/218, 432, 356, 358, 440, 400, 401,
D14/418; D21/332, 333, 324, 328;
273/148 B; 463/1, 29-47; D3/218, 301;
361/807-810; 248/689, 690, 309.1,
248/314, 346.01, 346.03, 346.06, 346.04;
206/320, 305
CPC A63F 13/06; A63F 13/10; A63F 13/20;
A63F 13/98; A63F 2300/10; A63F 2300/1043;
A63F 2300/8076; A63F 9/24; A63F 9/00
See application file for complete search history.

(56) **References Cited**

U.S. PATENT DOCUMENTS

D385,586 S * 10/1997 Hanatani D14/418
D386,543 S * 11/1997 Chikui D14/418
D472,241 S * 3/2003 Kim D14/418
7,510,477 B2 * 3/2009 Argentar A63F 13/02
345/156

D618,687 S * 6/2010 Ito D14/418
8,057,309 B1 * 11/2011 Mead A63F 9/00
273/148 B
D666,268 S * 8/2012 Huang D14/418
8,298,090 B2 * 10/2012 Kazama A63F 13/02
463/37
8,419,541 B2 * 4/2013 Mao A63F 13/02
463/37
8,487,876 B2 * 7/2013 Ikeda A63F 13/06
273/148 B
8,493,326 B2 * 7/2013 Martinez A63F 13/06
345/168
D688,314 S * 8/2013 Slayton D14/418
9,180,365 B2 * 11/2015 Torre A63D 13/02

* cited by examiner

Primary Examiner — Prabhakar Deshmukh

(74) *Attorney, Agent, or Firm* — Mintz Levin Cohn Ferris
Glovsky and Popeo, P.C.; Kongsik Kim

(57) **CLAIM**

The ornamental design for a game controller attachable to a model gun, as shown and described.

DESCRIPTION

FIG. 1 is a perspective view of a game controller attachable to a model gun showing my new design;
FIG. 2 is a front elevational view thereof;
FIG. 3 is a rear elevational view thereof;
FIG. 4 is a left side elevational view thereof;
FIG. 5 is a right side elevational view thereof;
FIG. 6 is a top plan view thereof;
FIG. 7 is a bottom plan view thereof; and,
FIG. 8 is a front elevational view thereof, shown in environmental use with the game controller of FIG. 1 is attached to a model gun.
The broken lines illustrating the model gun for environmental purpose only and forms no part of the claimed design.

1 Claim, 8 Drawing Sheets

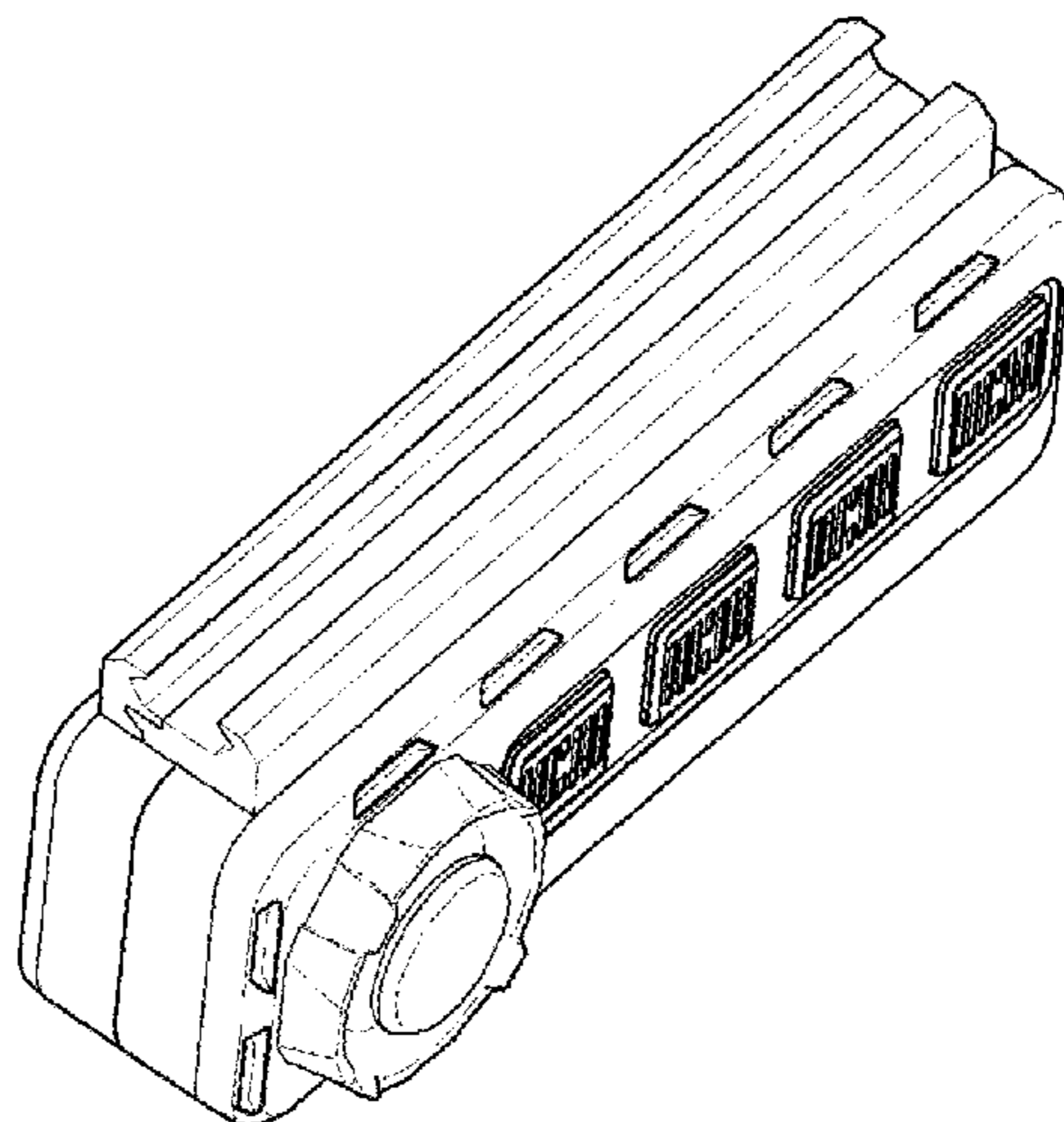


FIG. 1

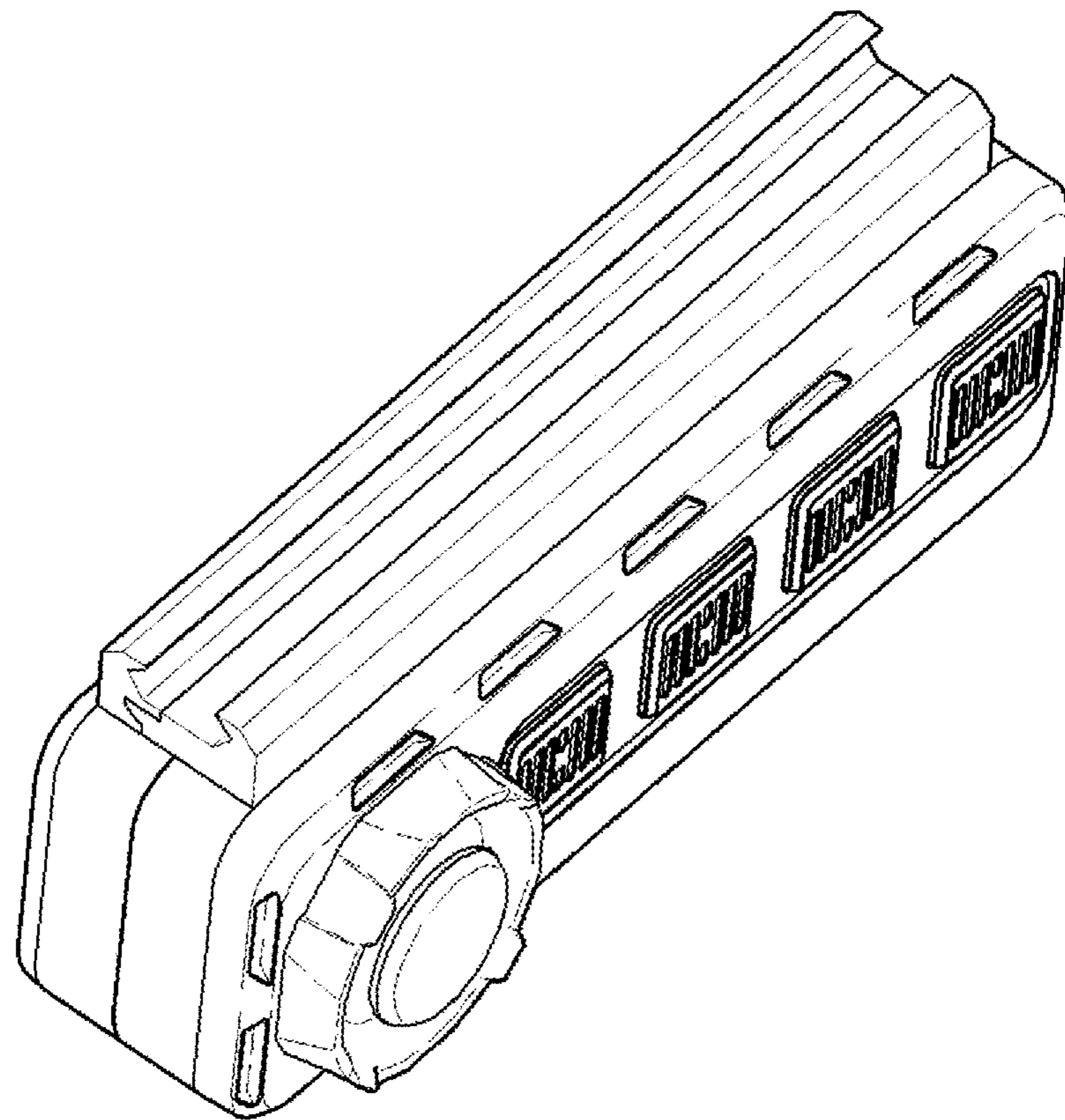


FIG. 2

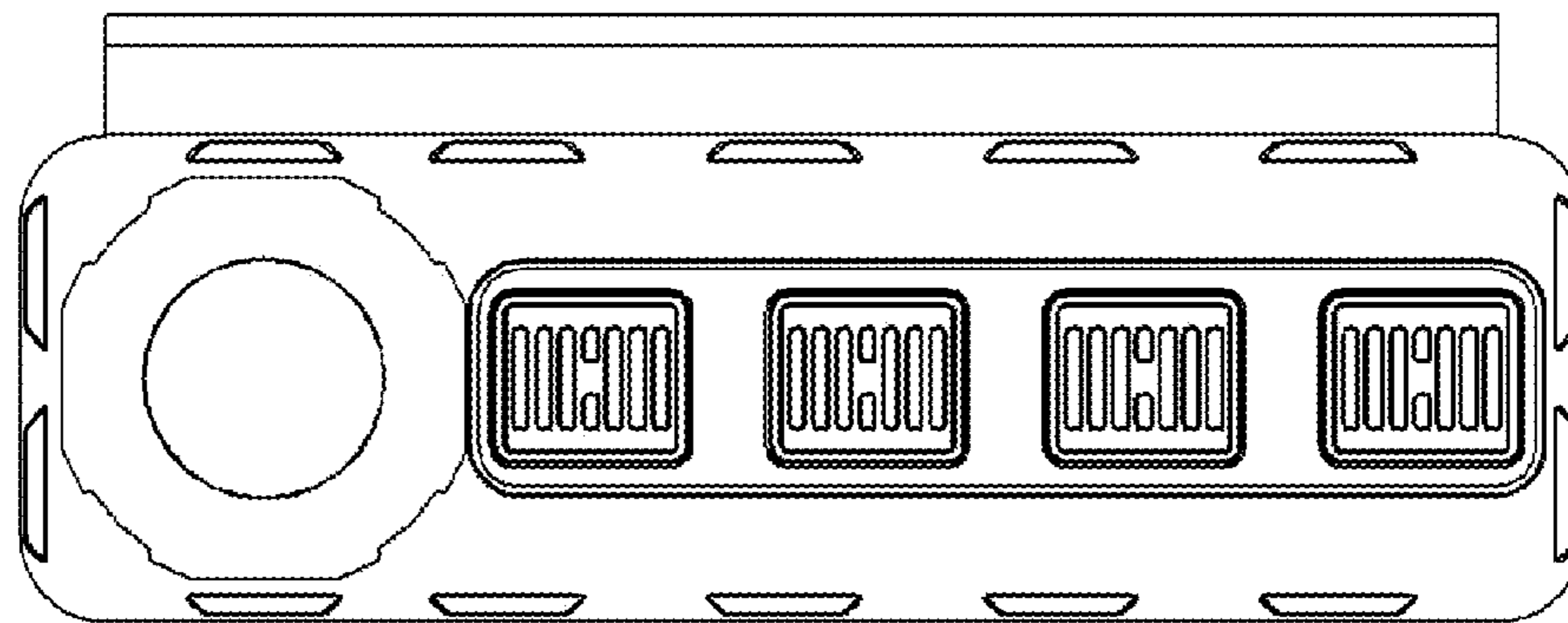


FIG. 3

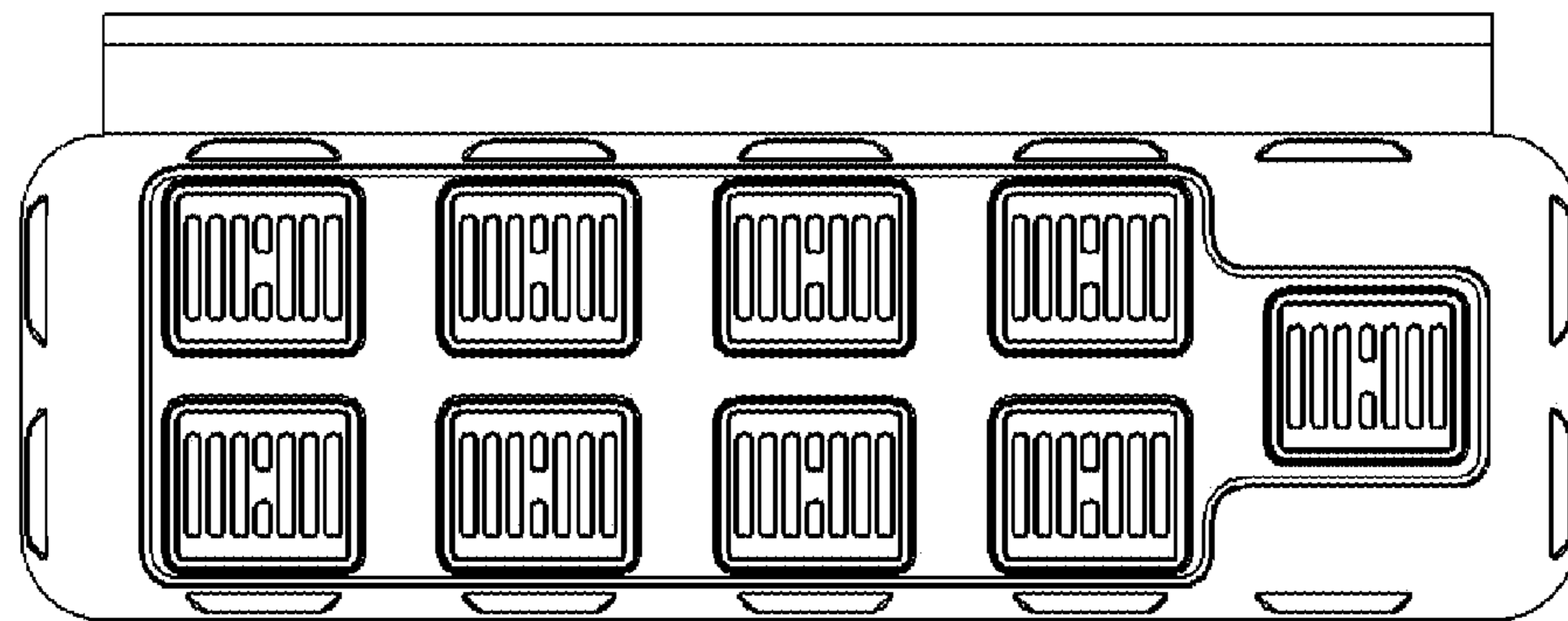


FIG. 4

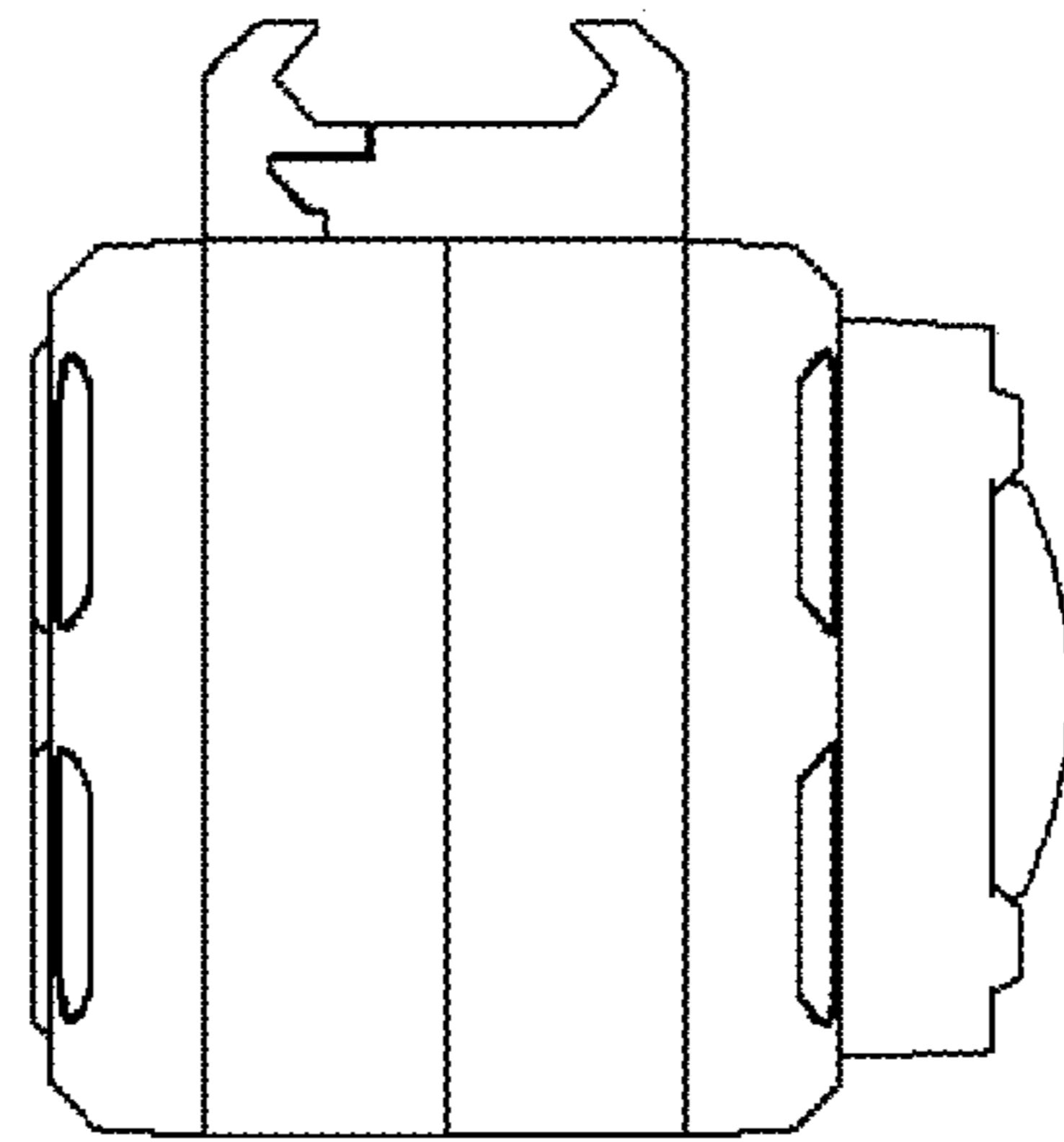


FIG. 5

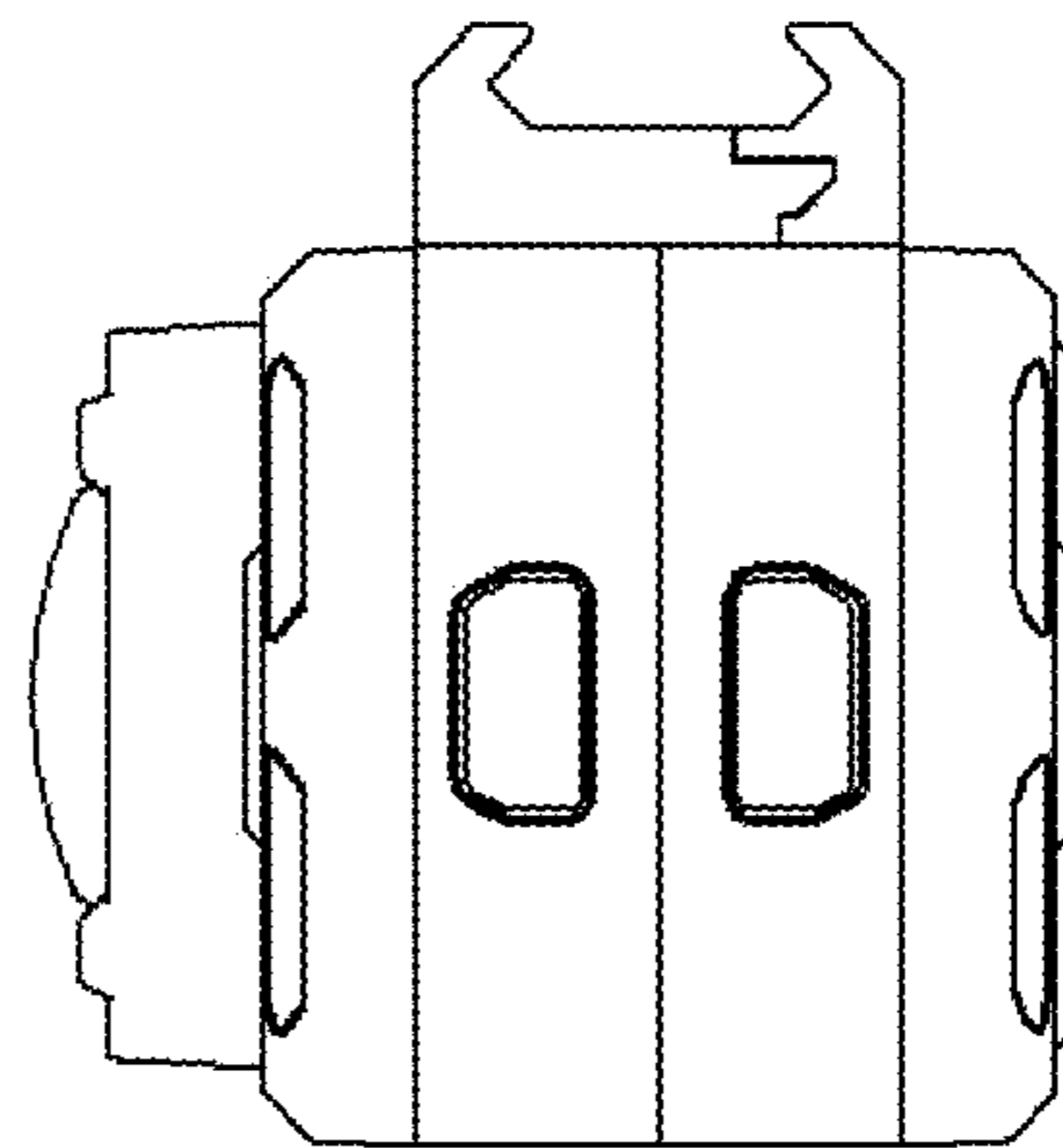


FIG. 6

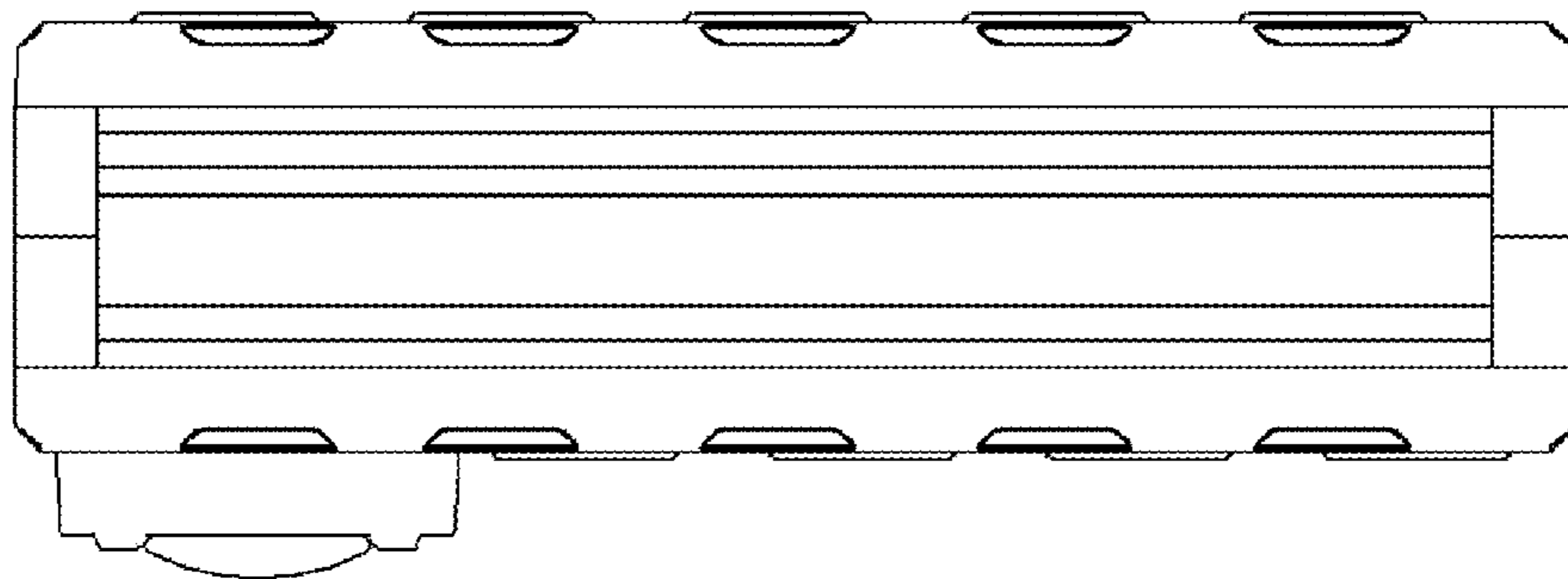


FIG. 7

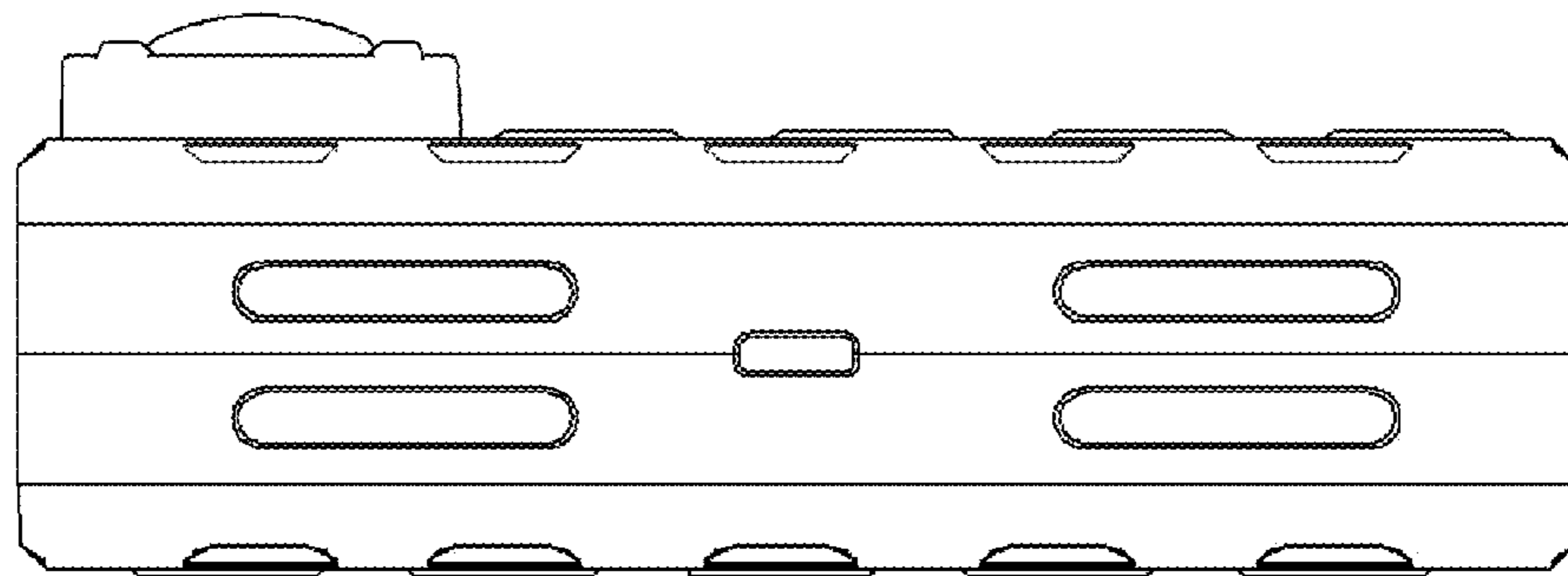


FIG. 8

