

US00D760838S

(12) **United States Design Patent**
Wiseman et al.

(10) **Patent No.:** **US D760,838 S**
(45) **Date of Patent:** **** Jul. 5, 2016**

(54) **LIGHTED DRAWING INSTRUMENT**

(71) Applicant: **REDWOODVENTURES, LTD.**, Hong Kong (HK)

(72) Inventors: **Andrew Wiseman**, Bella Vista, AR (US); **Corey Feit**, St. Louis, MO (US)

(73) Assignee: **RedwoodVentures, Ltd.**, Hong Kong (HK)

(**) Term: **15 Years**

(21) Appl. No.: **29/533,520**

(22) Filed: **Jul. 17, 2015**

(51) **LOC (10) Cl.** **19-06**

(52) **U.S. Cl.**
USPC **D19/130**

(58) **Field of Classification Search**
USPC D14/411; D19/115-204; D8/61
CPC B43K 5/00; B43K 7/00; B43K 7/10;
B43K 7/12; B43K 8/04; B43K 19/00; B43K
19/02; B43K 19/14; B29C 67/0066
See application file for complete search history.

(56) **References Cited**

U.S. PATENT DOCUMENTS

D319,469 S *	8/1991	Rutter	D19/161
D324,699 S *	3/1992	Ohashi	D19/188
D392,999 S	3/1998	Varholik	
D400,921 S	11/1998	Ting	
D406,276 S	3/1999	Alvarado	
D441,267 S *	5/2001	Heun	D8/61
D461,204 S *	8/2002	Klefbom	D19/167
D467,146 S *	12/2002	Chunn	D8/61
D476,542 S *	7/2003	Chunn	D8/61
D484,022 S *	12/2003	Tsai	D8/107
D484,535 S	12/2003	Fang	
D487,383 S *	3/2004	Ng	D8/61
D497,179 S	10/2004	Chen	
D497,638 S	10/2004	Chen	

D498,790 S *	11/2004	Shova	D19/163
D499,499 S	12/2004	Cetera	
D500,790 S *	1/2005	Jaakkola	D14/411
D502,736 S	3/2005	Chen	
D503,428 S	3/2005	Chen	
D531,217 S *	10/2006	Hirota	D19/184
D536,034 S *	1/2007	Penno	D19/170
D573,195 S *	7/2008	Rushe	D19/69
D579,048 S *	10/2008	Martin	D19/170
D579,049 S *	10/2008	Martin	D19/164
D601,190 S	9/2009	Liu	
D612,886 S *	3/2010	Newbould	D19/134
D616,936 S	6/2010	Liu	
D619,579 S *	7/2010	Flores Rodrigues	
		Vieira	D14/411
7,771,016 B2 *	8/2010	Lapstun	B41J 2/17503 347/29

(Continued)

FOREIGN PATENT DOCUMENTS

CN	3425060	2/2005
CN	3429889	3/2005

(Continued)

Primary Examiner — Elizabeth Albert

(74) *Attorney, Agent, or Firm* — Wright Lindsey Jennings LLP; Meredith Lowry

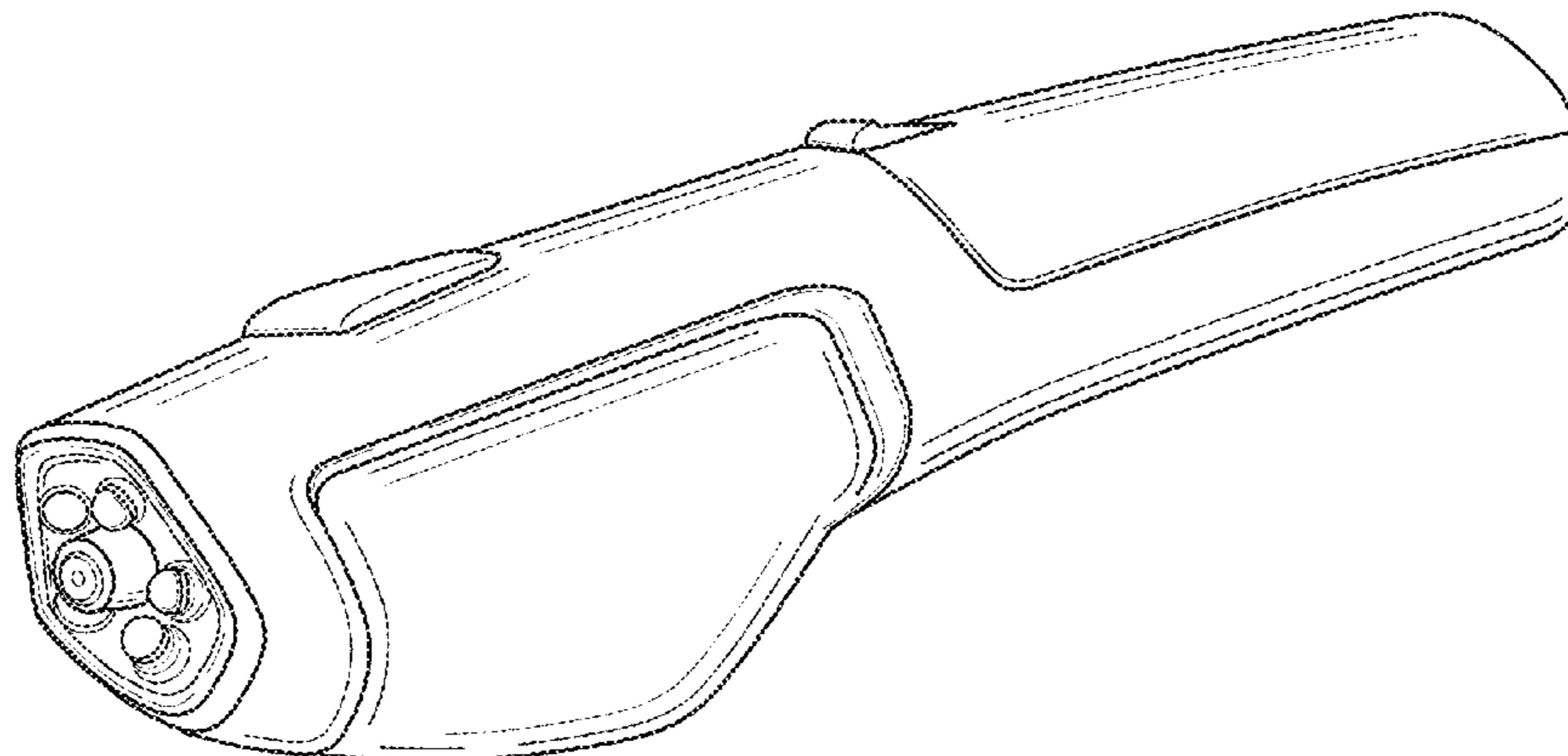
(57) **CLAIM**

The ornamental design for a lighted drawing instrument, as shown and described.

DESCRIPTION

FIG. 1 is a perspective view of a lighted drawing instrument showing our new design; FIG. 2 is a right side elevational view thereof, the left side elevational view being a mirror image thereof; FIG. 3 is a top plan view thereof; FIG. 4 is a bottom plan view thereof; and FIG. 5 is a front elevational view thereof; and, FIG. 6 is a rear elevational view thereof.

1 Claim, 3 Drawing Sheets



(56)

References Cited

9,266,286 B1 2/2016 Starodubtsev

U.S. PATENT DOCUMENTS

FOREIGN PATENT DOCUMENTS

D641,222 S *	7/2011	Molina	D14/411	CN	3621580	3/2007
D661,734 S	6/2012	Johnson		CN	300793341	6/2008
D664,657 S *	7/2012	Vieira	D24/144	CN	301625735	7/2011
D667,828 S *	9/2012	Park	D14/411	CN	301709099	10/2011
D670,698 S *	11/2012	Åhman	D14/411	CN	302190505	11/2012
D676,170 S	2/2013	Feng		CN	302436080	5/2013
D686,621 S *	7/2013	Pawlus	D14/411	CN	302619718	10/2013
D690,303 S *	9/2013	Avery	D14/167	CN	302716713	1/2014
D710,445 S	8/2014	Wu		CN	303288883	7/2015
D729,963 S	5/2015	Windom		JP	D1506504	7/2013
9,102,098 B2	8/2015	Dilworth				
D740,939 S *	10/2015	Canady	D24/147			
D749,732 S *	2/2016	Canady	D24/147			

* cited by examiner

FIG. 1

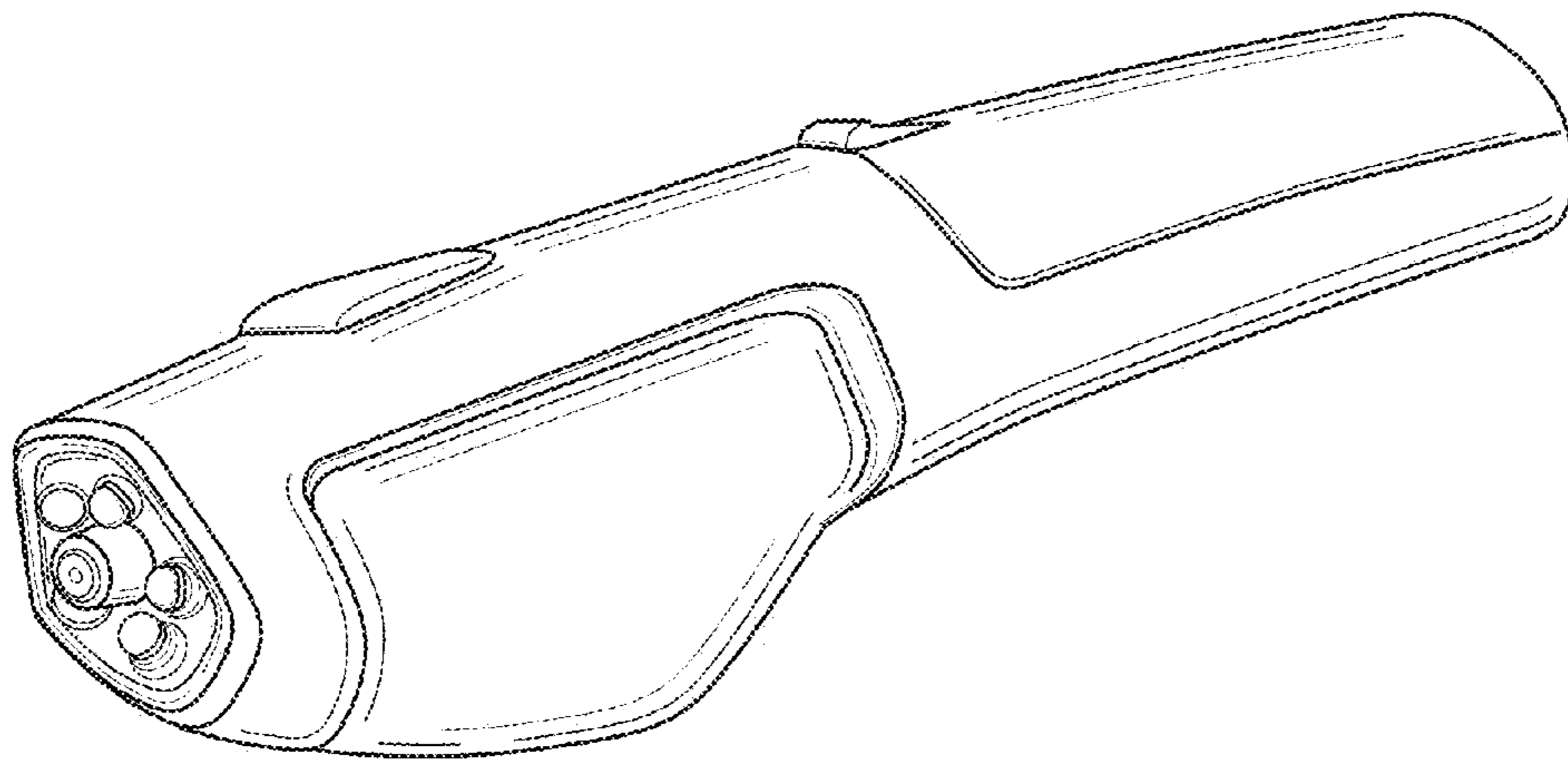


FIG. 2

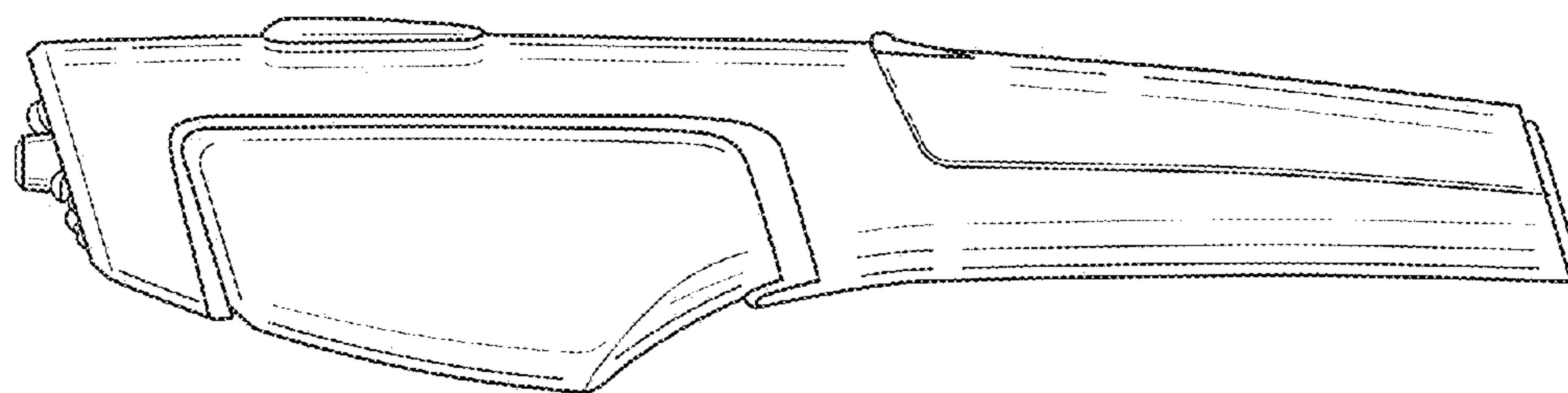


FIG. 3

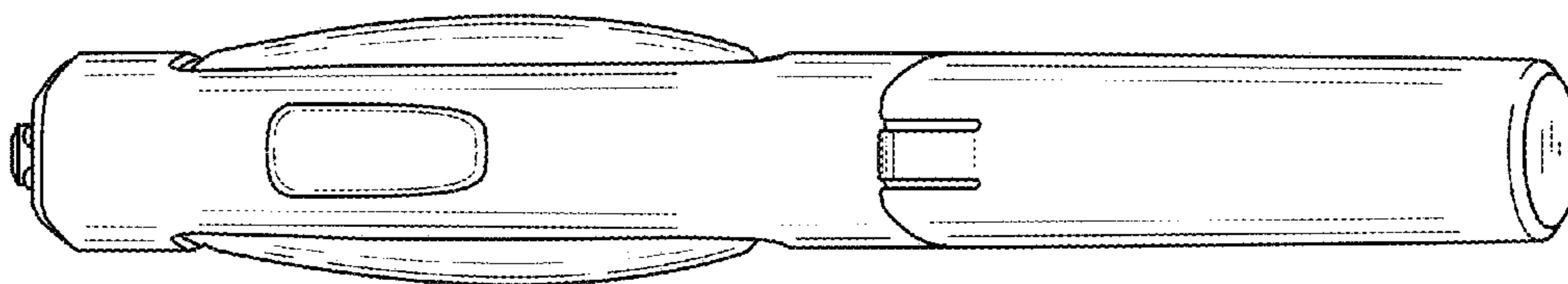


FIG. 4

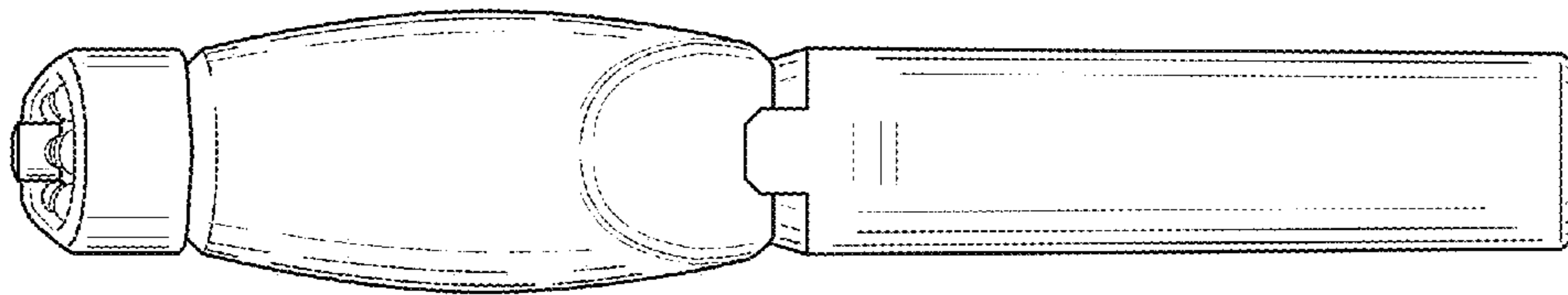


FIG. 5

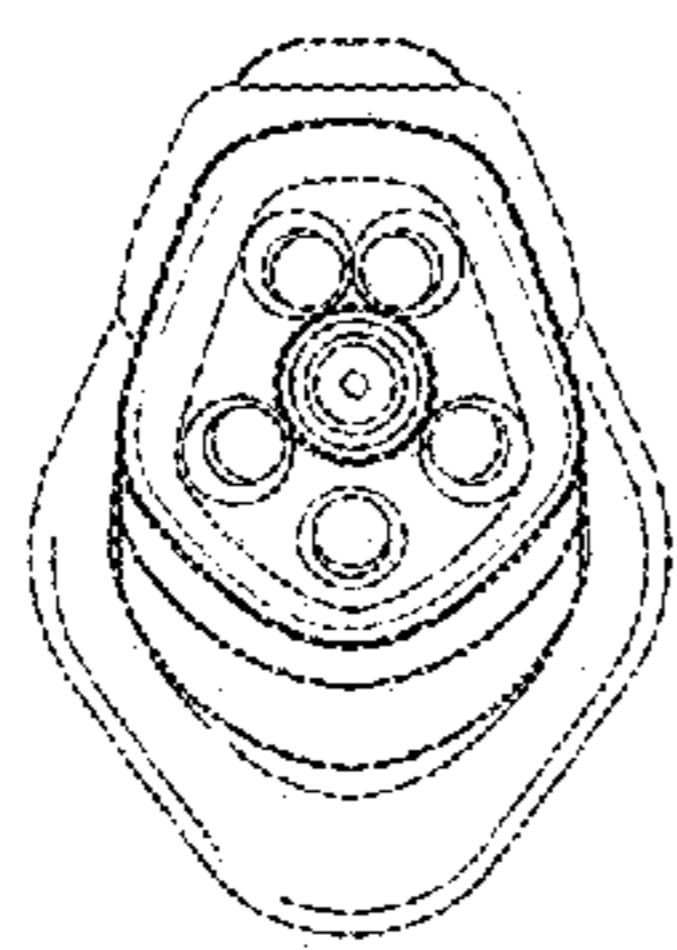


FIG. 6

