



US00D760832S

(12) **United States Design Patent**
Dayonot

(10) **Patent No.:** **US D760,832 S**
(45) **Date of Patent:** **** Jul. 5, 2016**

- (54) **PIANO**
- (71) Applicant: **Timothy M. Dayonot**, Oakland, CA (US)
- (72) Inventor: **Timothy M. Dayonot**, Oakland, CA (US)
- (**) Term: **14 Years**
- (21) Appl. No.: **29/508,201**
- (22) Filed: **Nov. 4, 2014**
- (51) **LOC (10) Cl.** **17-01**
- (52) **U.S. Cl.**
USPC **D17/9**
- (58) **Field of Classification Search**
USPC D6/513, 583, 585, 588, 592, 707;
D14/217, 341, 345, 346; D17/1, 2, 4,
D17/7, 8, 9, 24, 99; D21/353, 405, 409
CPC A63H 5/00; G10C 1/00; G10C 1/02;
G10C 1/04; G10C 3/00; G10C 3/12; G01F
1/02; G01F 3/00; G10H 1/00
See application file for complete search history.

5,265,515	A	*	11/1993	Calabrese	G10C 3/12	84/437
D345,967	S	*	4/1994	Kroner	D14/335	
D414,797	S	*	10/1999	Pollaro	84/177	
D609,267	S	*	2/2010	Ono	D17/8	
D676,899	S	*	2/2013	Suzuki	D17/8	
D688,730	S	*	8/2013	Suzuki	D17/8	
2007/0007736	A1	*	1/2007	Kilday	B62B 5/0083	280/35
2012/0240748	A1	*	9/2012	Endow	G10D 13/08	84/433

* cited by examiner

Primary Examiner — Manpreet Matharu
Assistant Examiner — Lisa A Grabenstetter
(74) *Attorney, Agent, or Firm* — Christopher Pilling

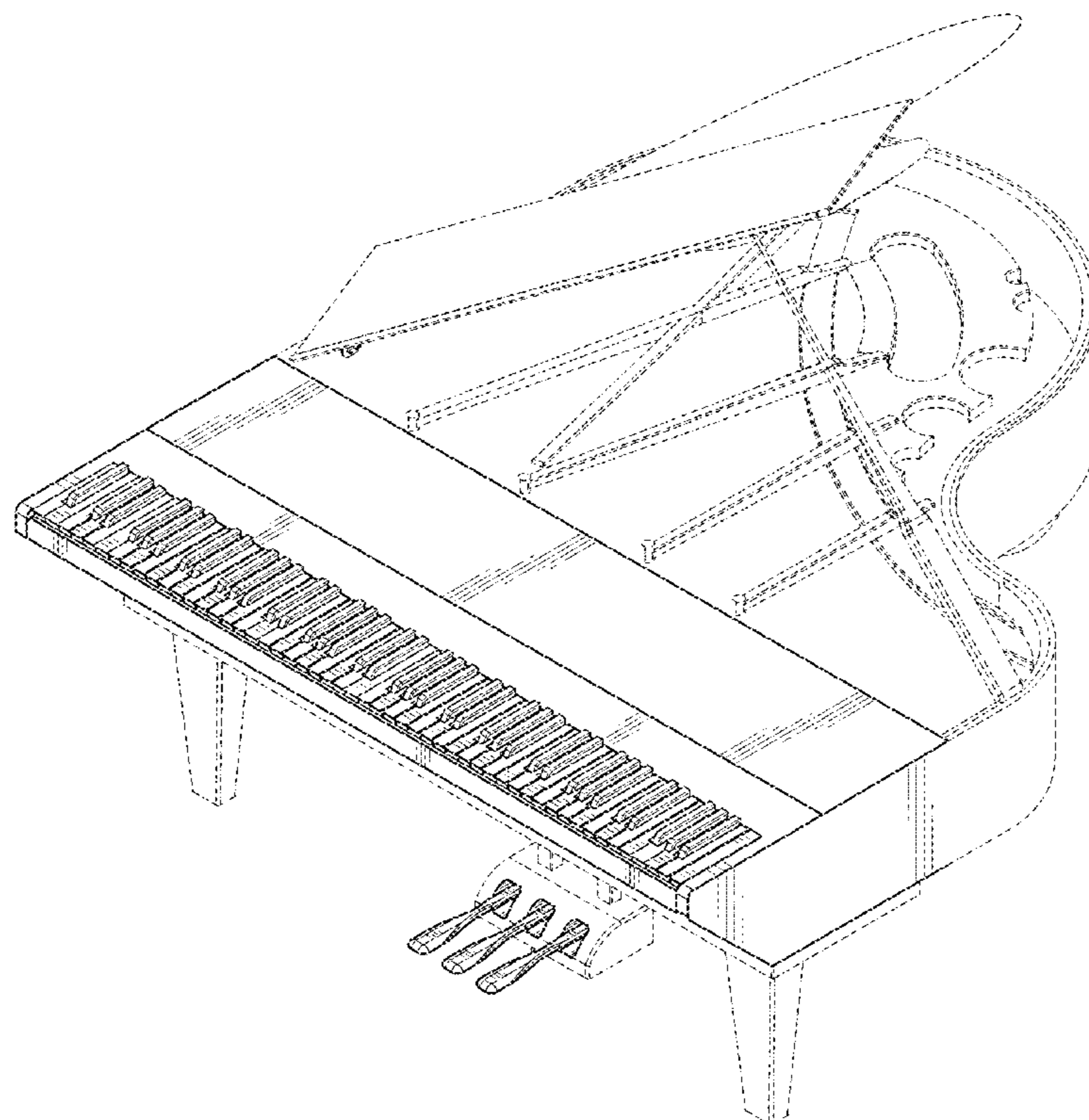
(57) **CLAIM**
The ornamental design for a piano, substantially as shown and described.

DESCRIPTION

FIG. 1 is a perspective view of a piano showing my new design;
FIG. 2 is a right side view thereof;
FIG. 3 is a left side view thereof;
FIG. 4 is a front view thereof; and,
FIG. 5 is a top plan view thereof.
The bottom view is not visible during normal use.
The broken lines show unclaimed subject matter only and form no part of the claimed design.

1 Claim, 5 Drawing Sheets

- (56) **References Cited**
U.S. PATENT DOCUMENTS
D311,412 S * 10/1990 Ohta D17/9
D318,059 S * 7/1991 Castle D17/8
D322,089 S * 12/1991 Orris 84/177



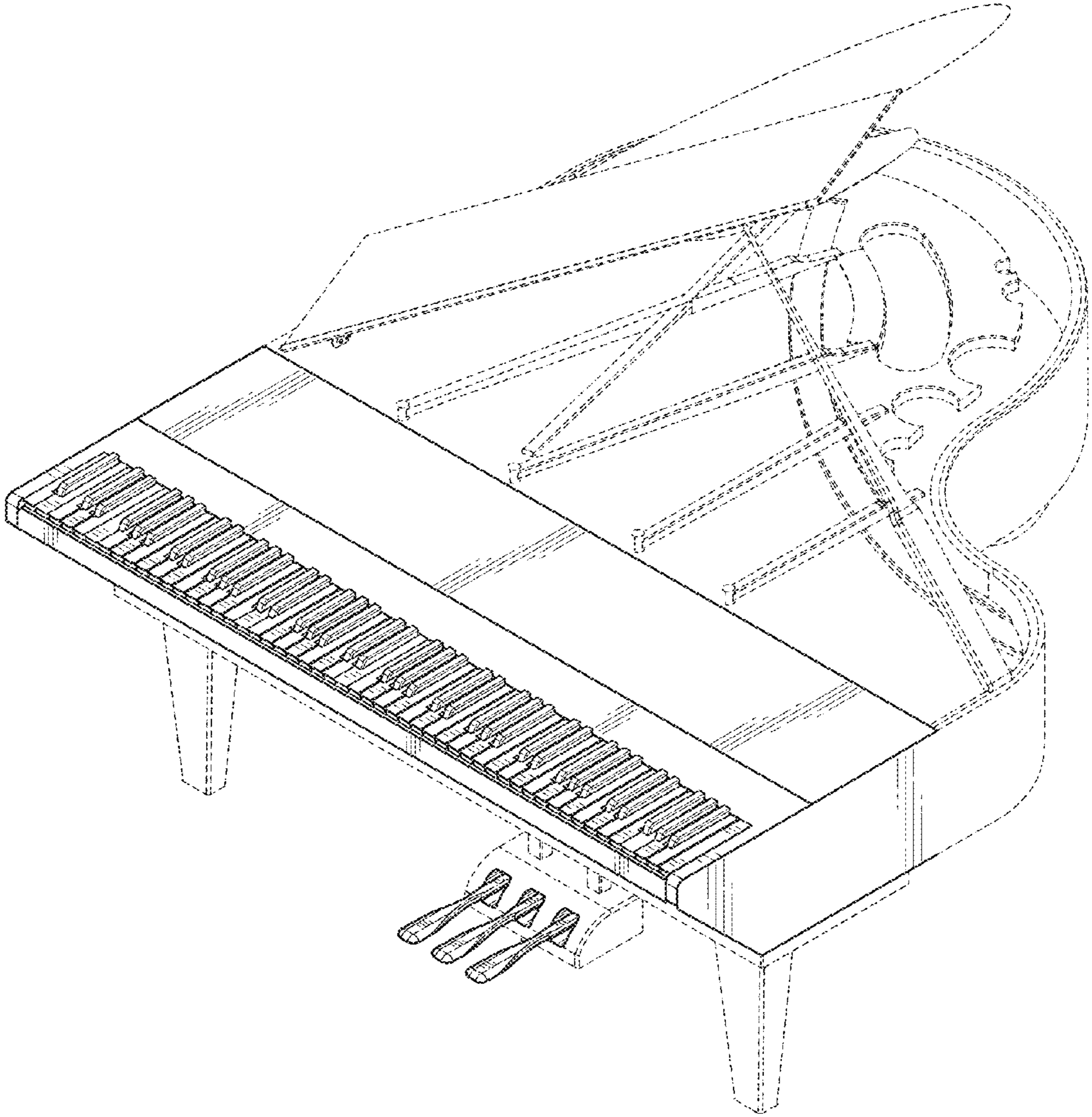


Fig. 1

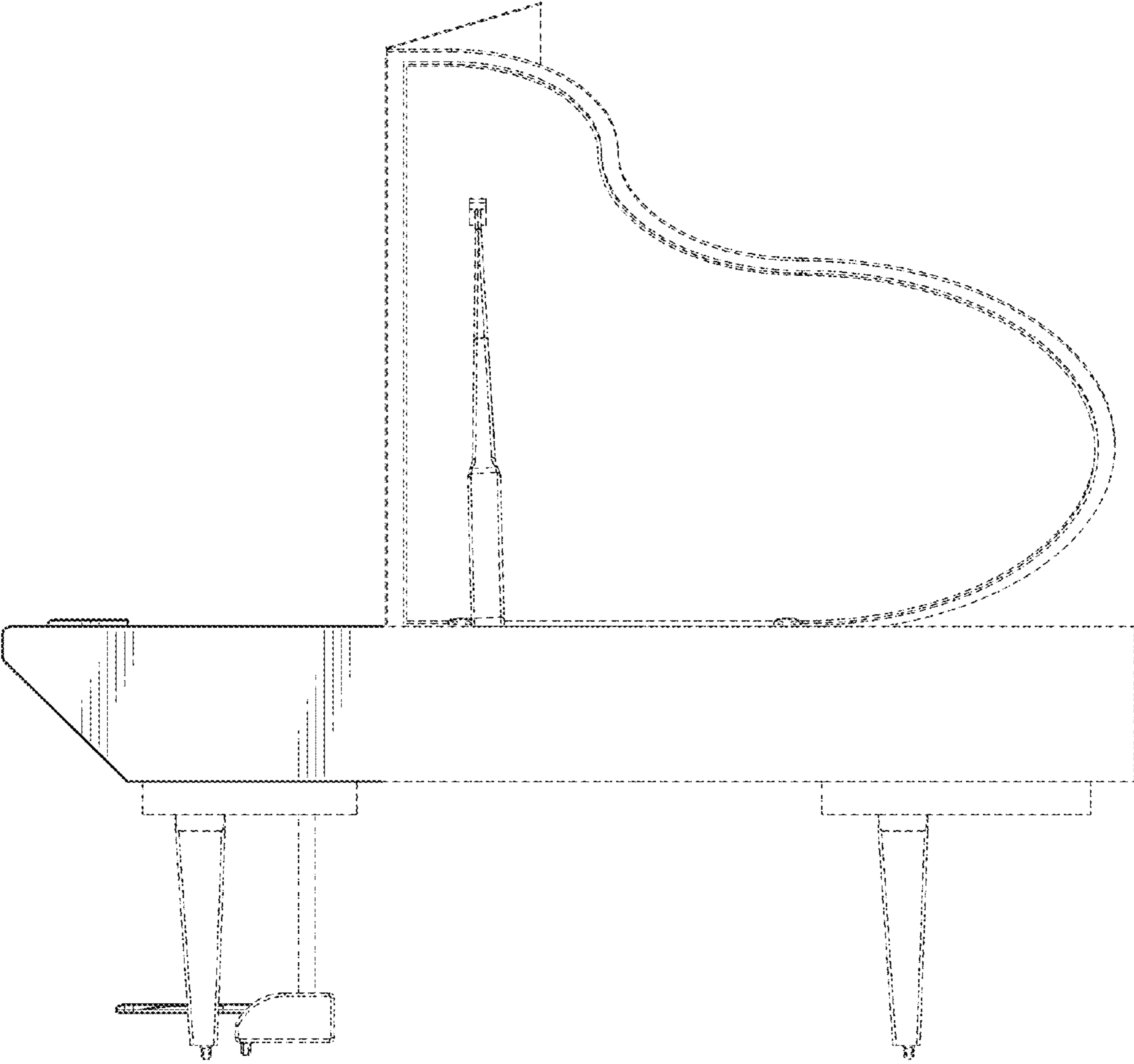


Fig. 2

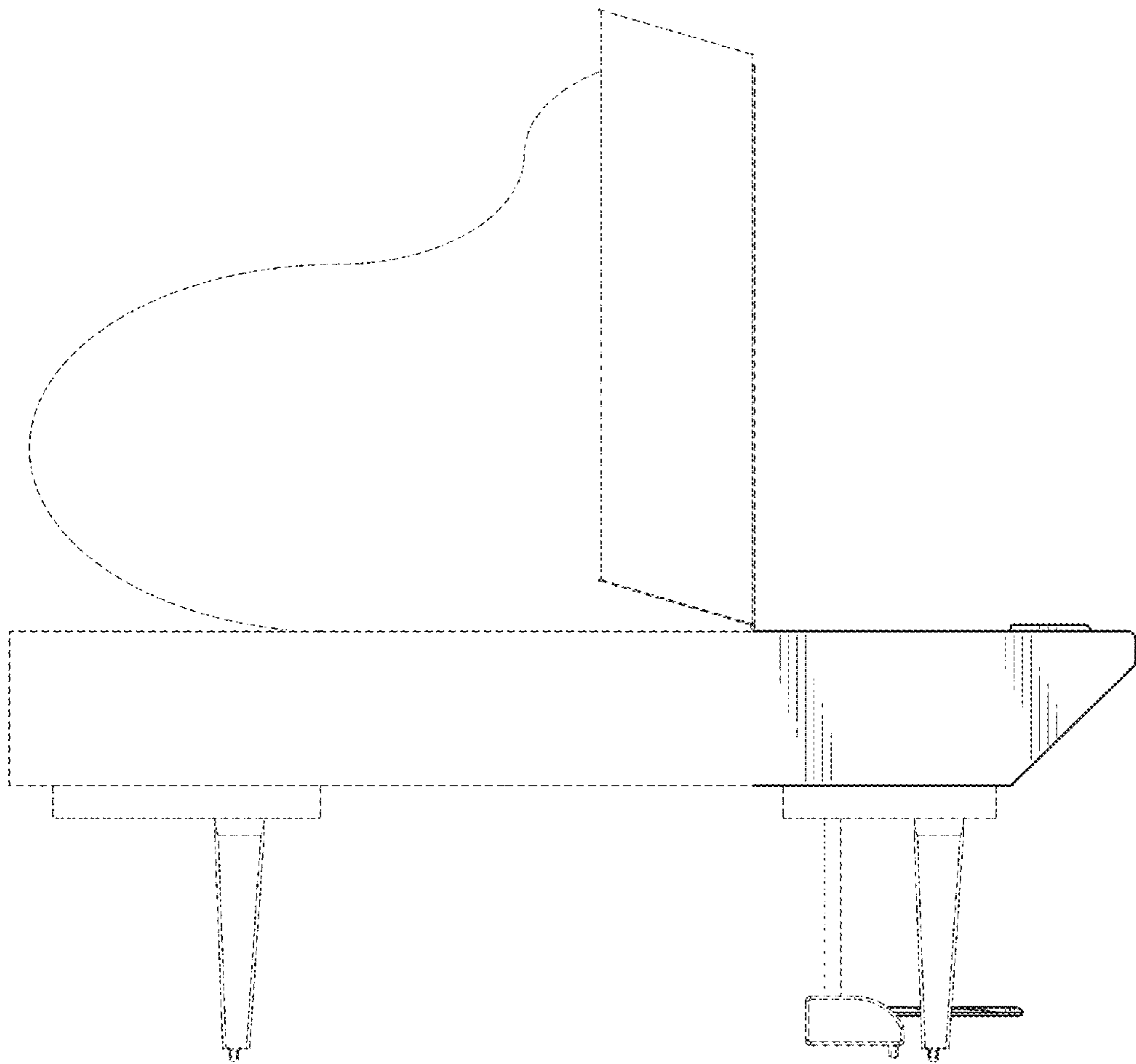


Fig. 3

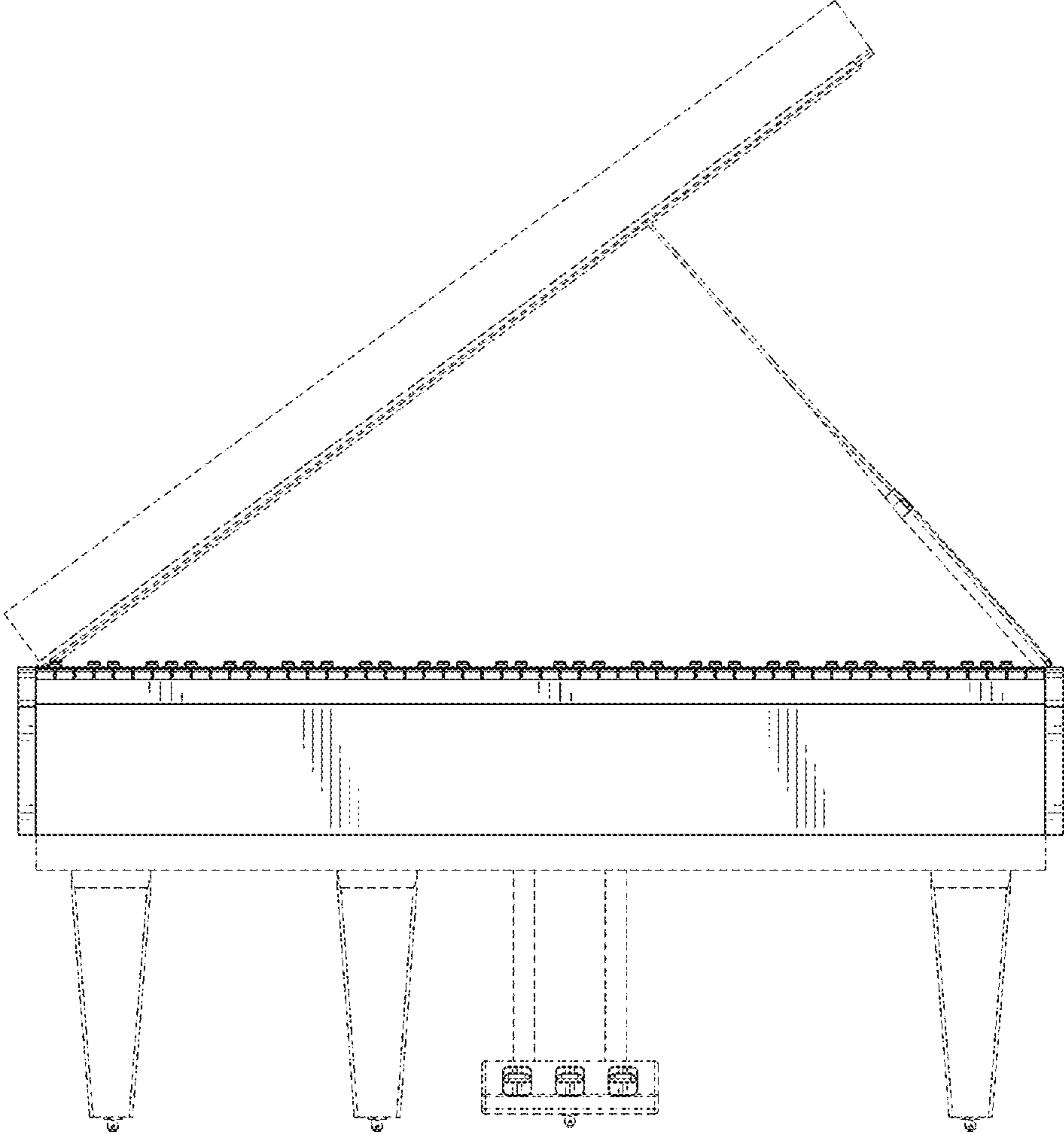


Fig. 4

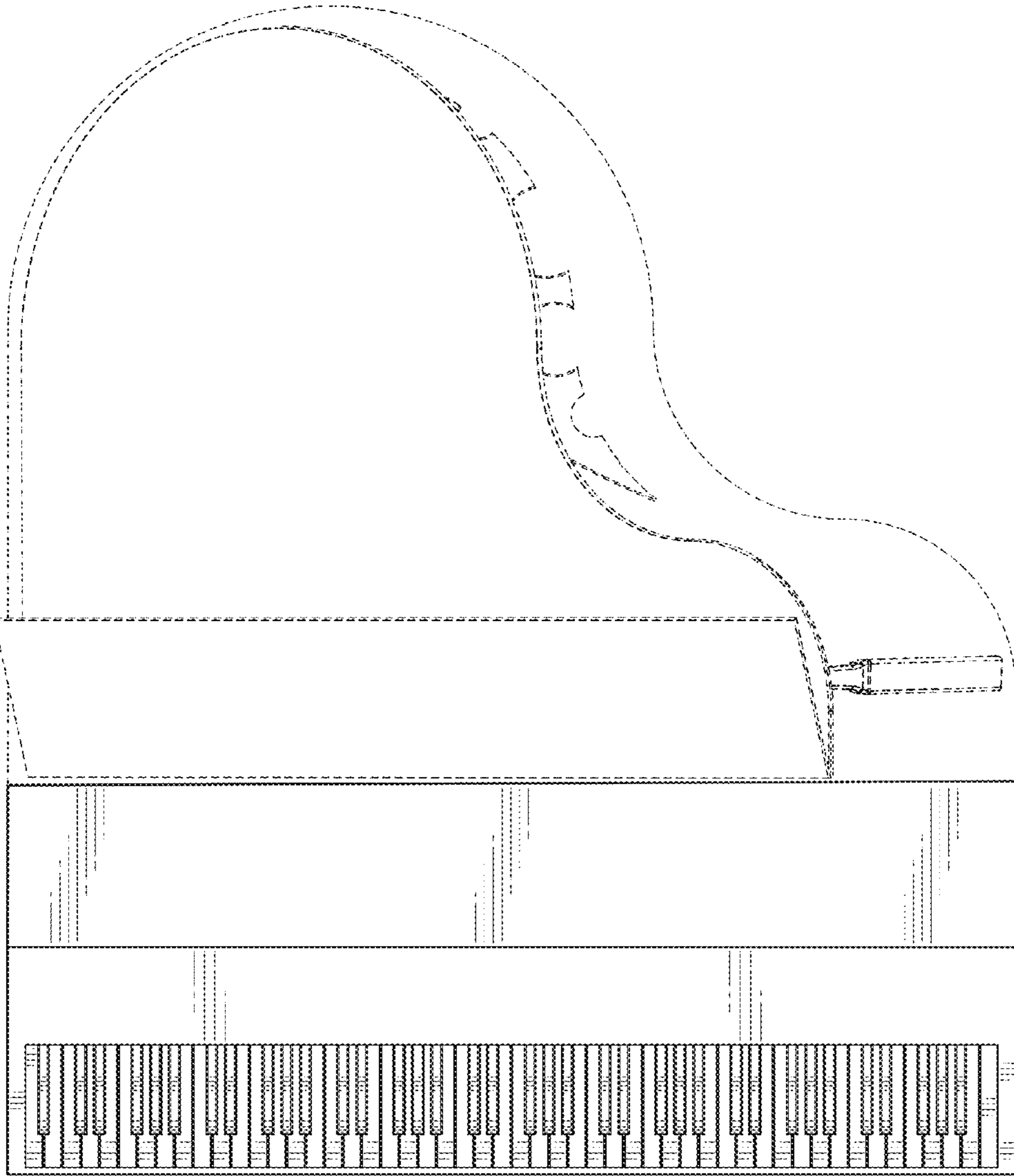


Fig. 5