



US00D760831S

(12) **United States Design Patent**
Emilo

(10) **Patent No.:** **US D760,831 S**
(45) **Date of Patent:** **** Jul. 5, 2016**

- (54) **DOG GOGGLE FRAME**
- (71) Applicant: **Jesse R. Emilo**, Jackson, WY (US)
- (72) Inventor: **Jesse R. Emilo**, Jackson, WY (US)
- (**) Term: **14 Years**
- (21) Appl. No.: **29/517,356**
- (22) Filed: **Feb. 12, 2015**

Related U.S. Application Data

- (63) Continuation of application No. 14/615,957, filed on Feb. 6, 2015.
- (51) **LOC (10) Cl.** **16-06**
- (52) **U.S. Cl.**
USPC **D16/312**
- (58) **Field of Classification Search**
USPC D16/101, 300-342, 900; D29/109-110;
351/41, 44, 51-52, 62, 158, 92,
351/103-123, 140-153, 63, 59, 45-48;
2/426-432, 447-449, 441, 434-437,
2/440, 442, 13, 15; D21/483, 659-661;
D14/372
CPC G02C 2200/08; G02C 1/06; G02C 5/14;
G02C 11/02; G02C 11/04; G01C 5/16;
A63B 33/002; A01K 13/006; A01K 15/02
See application file for complete search history.

(56) **References Cited**

U.S. PATENT DOCUMENTS

- 3,924,388 A * 12/1975 Morrison A01K 13/006
54/80.1
- 4,178,742 A 12/1979 Longfellow
- 5,093,940 A 3/1992 Nishiyama
- 5,410,763 A 5/1995 Bolle
- 5,732,415 A 3/1998 Boyd
- 6,047,410 A 4/2000 Dondero
- 6,311,645 B1 * 11/2001 Brown A01K 15/02
119/712

- 6,449,777 B1 9/2002 Montague
- 6,863,032 B2 3/2005 Di Lullo et al.
- D524,352 S * 7/2006 Hsu D16/312
- 7,182,460 B2 2/2007 Pierotti
- D542,829 S * 5/2007 Hsu D16/312
- D544,900 S * 6/2007 Li D16/312
- D551,280 S * 9/2007 Li D16/312
- 7,581,513 B2 9/2009 Di Lullo et al.
- D616,914 S * 6/2010 Moritz D16/312
- D620,969 S * 8/2010 Cyr D16/312
- D649,577 S * 11/2011 Goodman D16/312
- D685,839 S * 7/2013 Pearson D16/312
- D695,335 S * 12/2013 Goodman D16/312
- D723,094 S * 2/2015 Chen D16/312
- 2010/0083914 A1 4/2010 Amaya

* cited by examiner

Primary Examiner — Rahael Barkai

(74) *Attorney, Agent, or Firm* — Haugen Law Firm PLLP

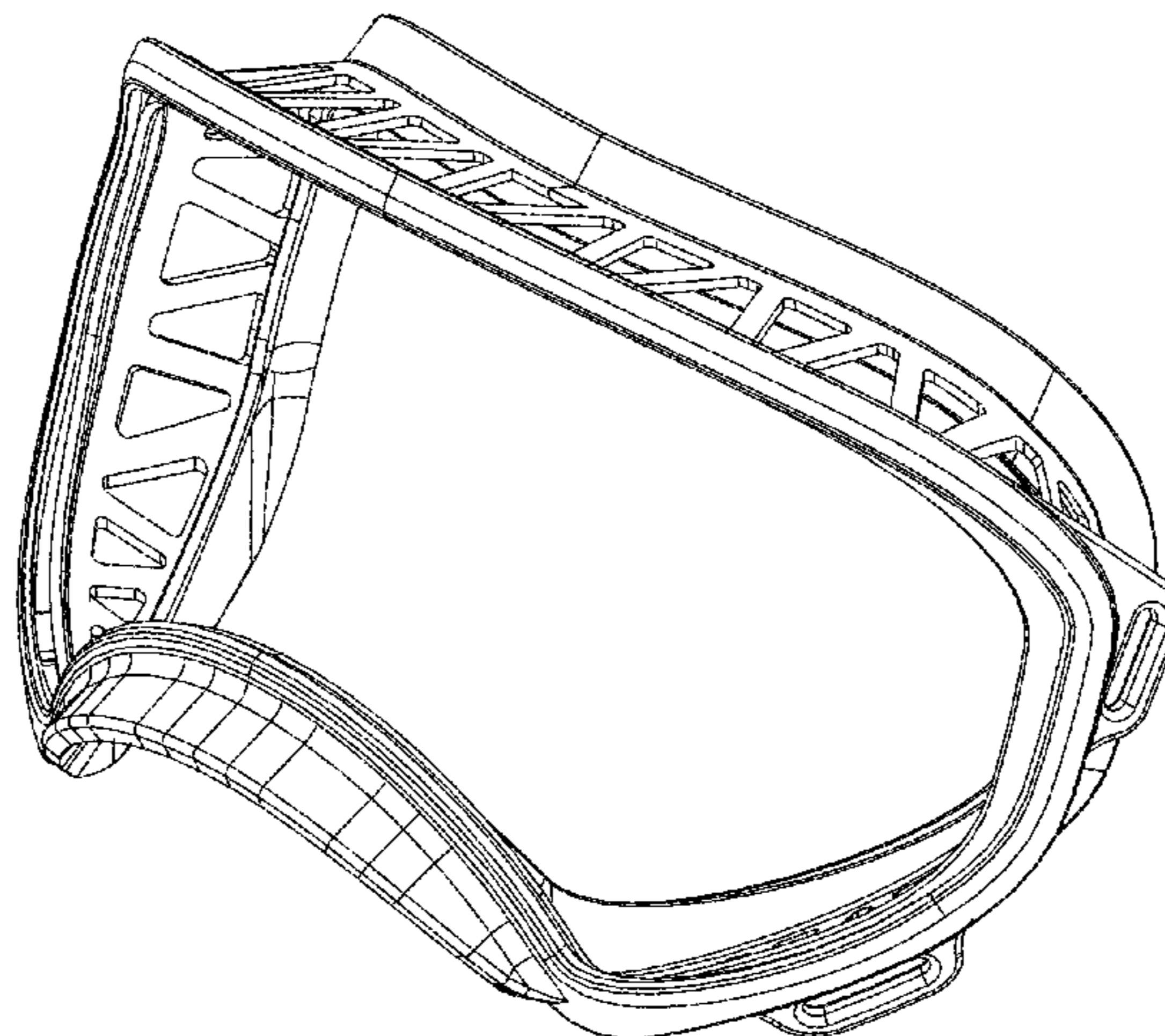
(57) **CLAIM**

The ornamental design for a dog goggle frame, as shown and described.

DESCRIPTION

FIG. 1 is a front right perspective view of the dog goggle frame of the present invention;
 FIG. 2 is a front view of the dog goggle frame of the type shown in FIG. 1;
 FIG. 3 is a back view of the dog goggle frame of the type shown in FIG. 1;
 FIG. 4 is a left side view of the dog goggle frame of the type shown in FIG. 1;
 FIG. 5 is a right side view of the dog goggle frame of the type shown in FIG. 1;
 FIG. 6 is a top view of the dog goggle frame of the type shown in FIG. 1; and,
 FIG. 7 is a bottom view of the dog goggle frame of the type shown in FIG. 1.

1 Claim, 7 Drawing Sheets



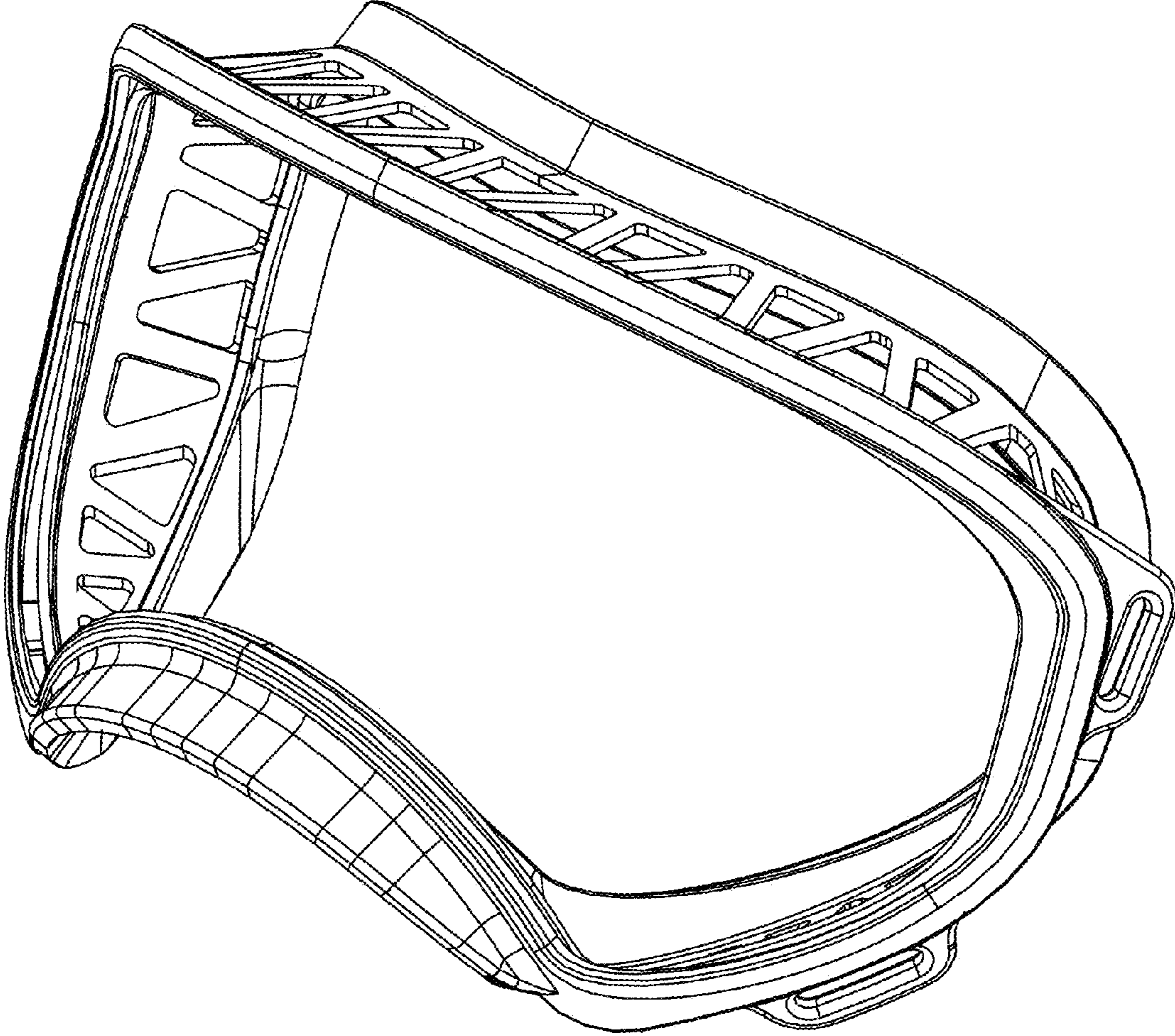


FIG. 1

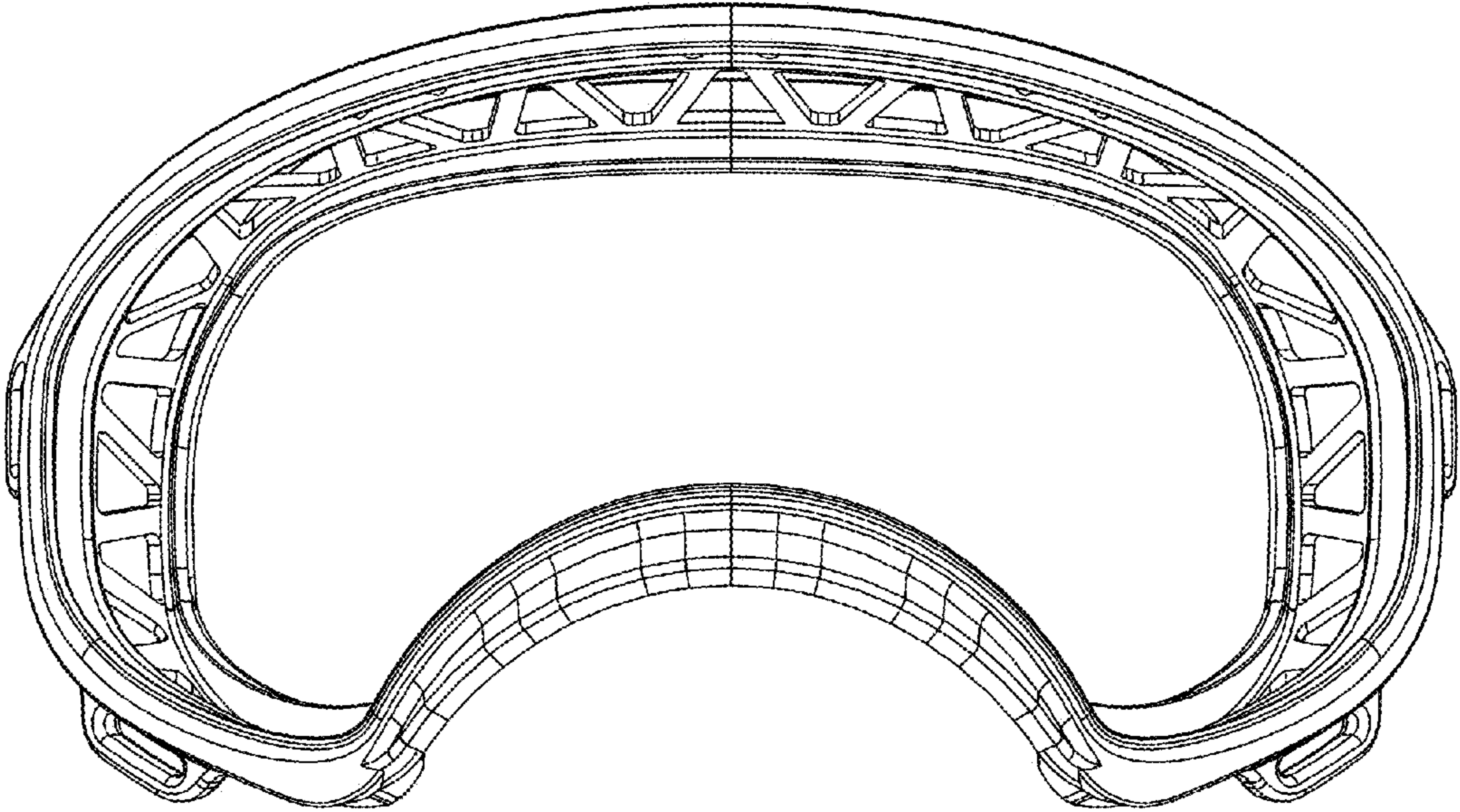


FIG. 2

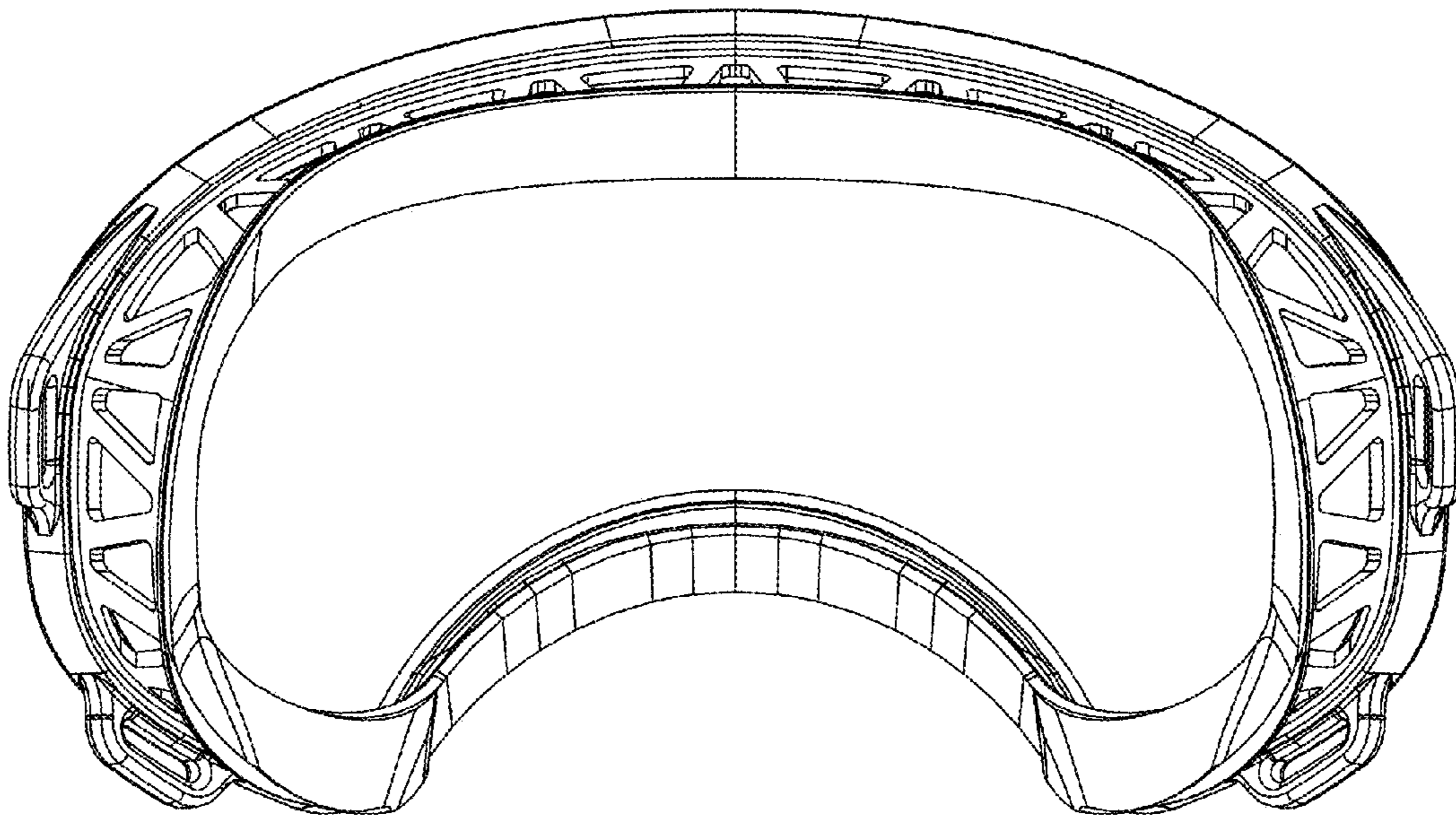


FIG. 3

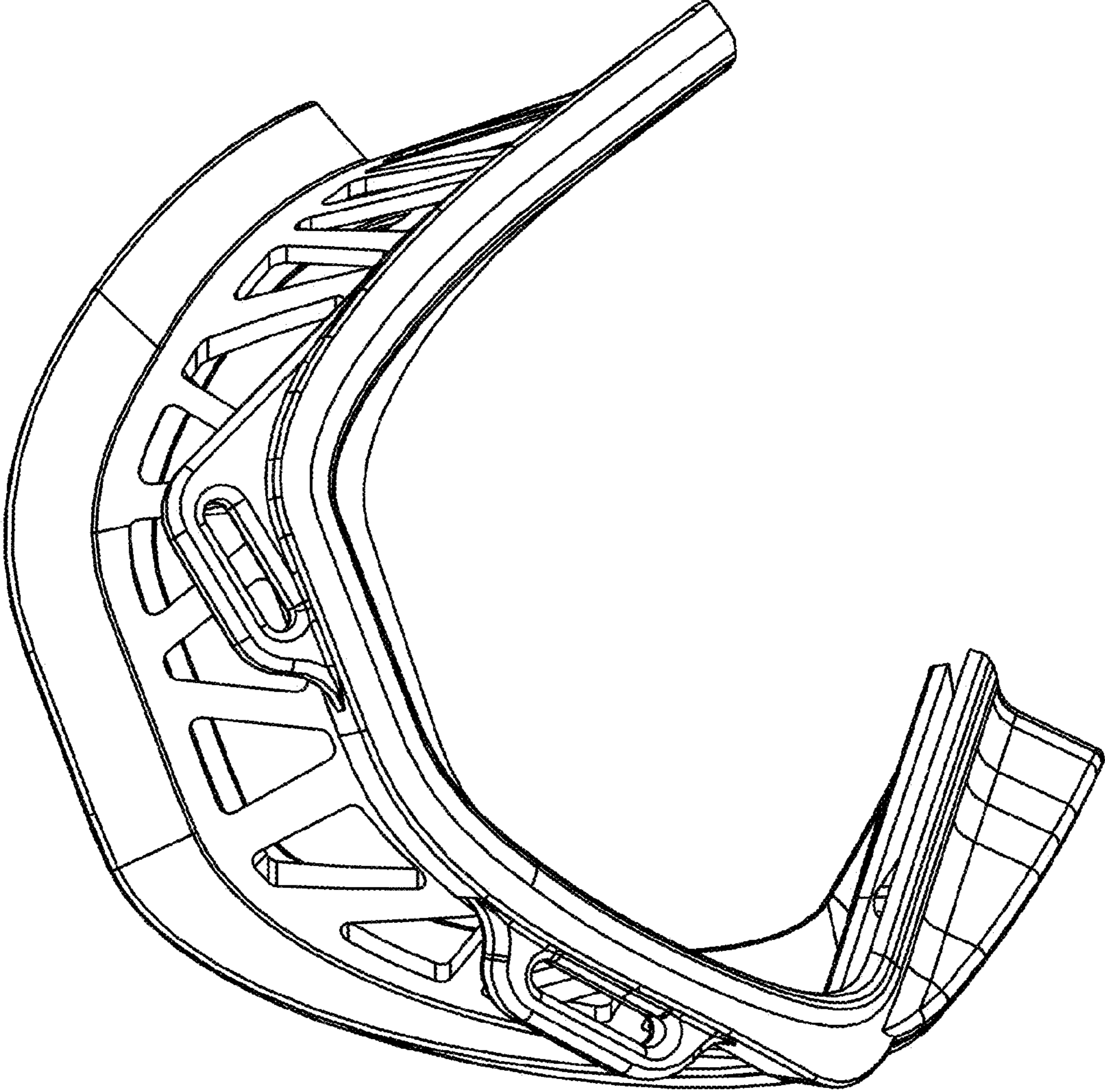


FIG. 4

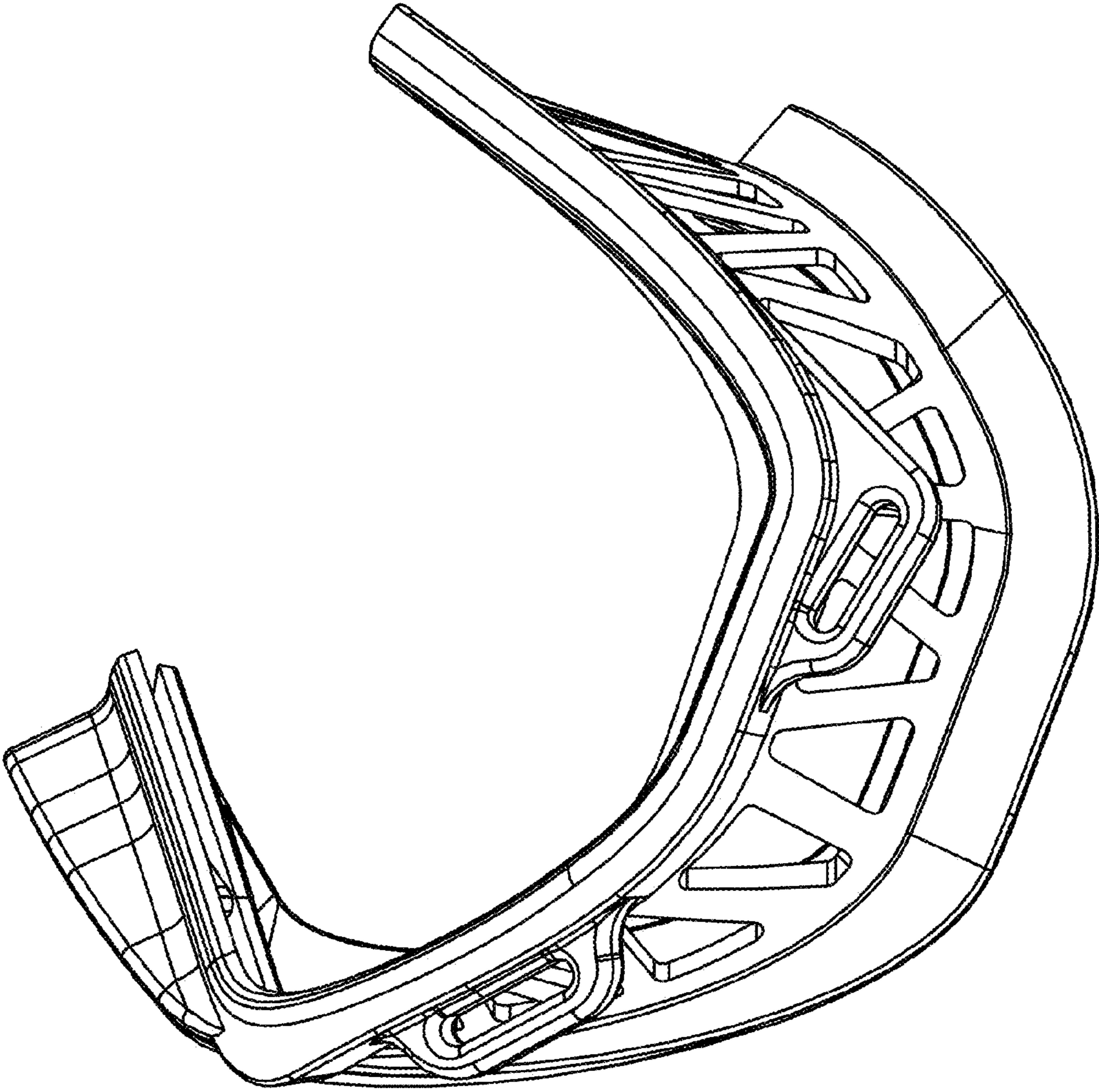


FIG. 5

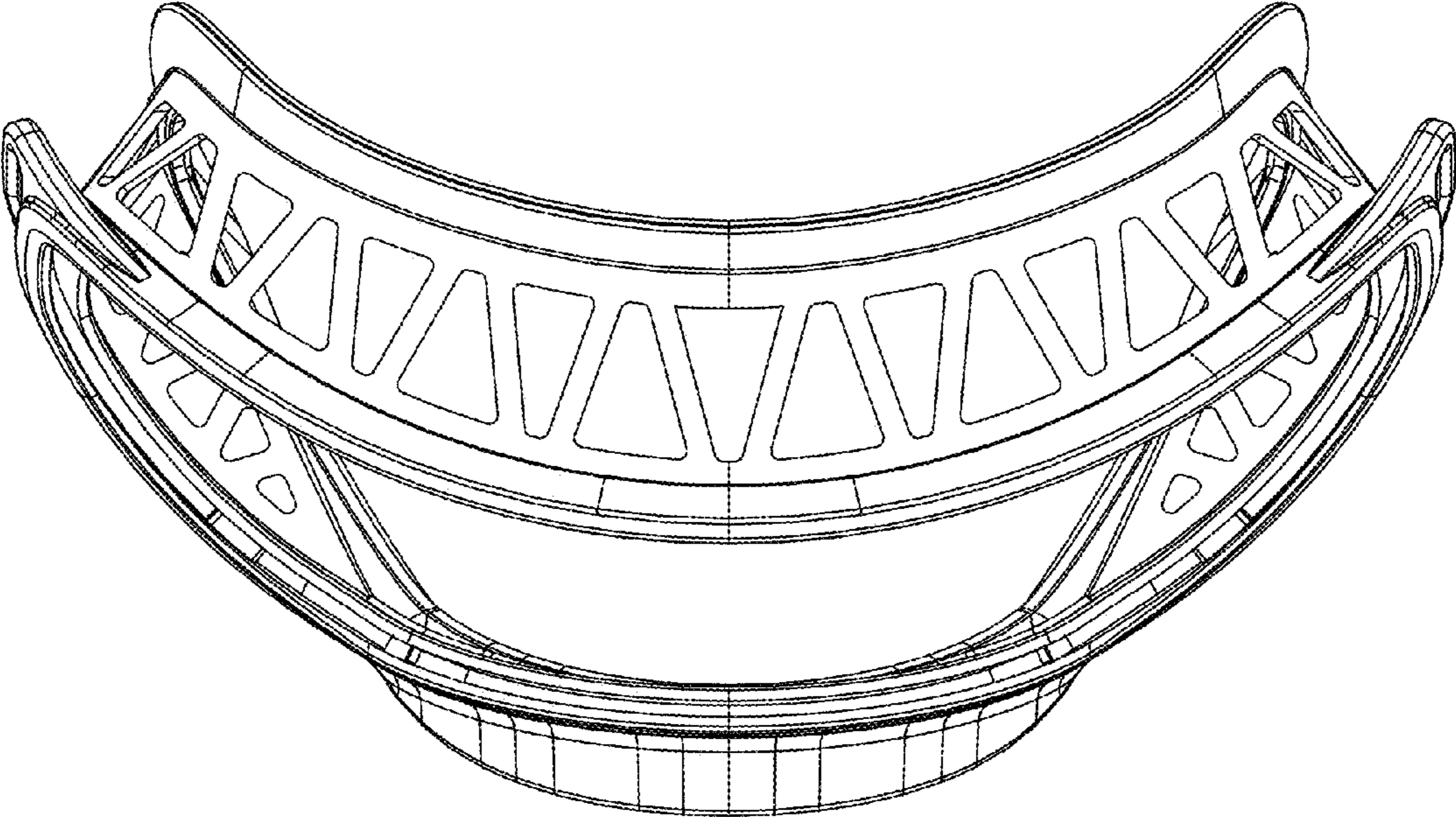


FIG. 6

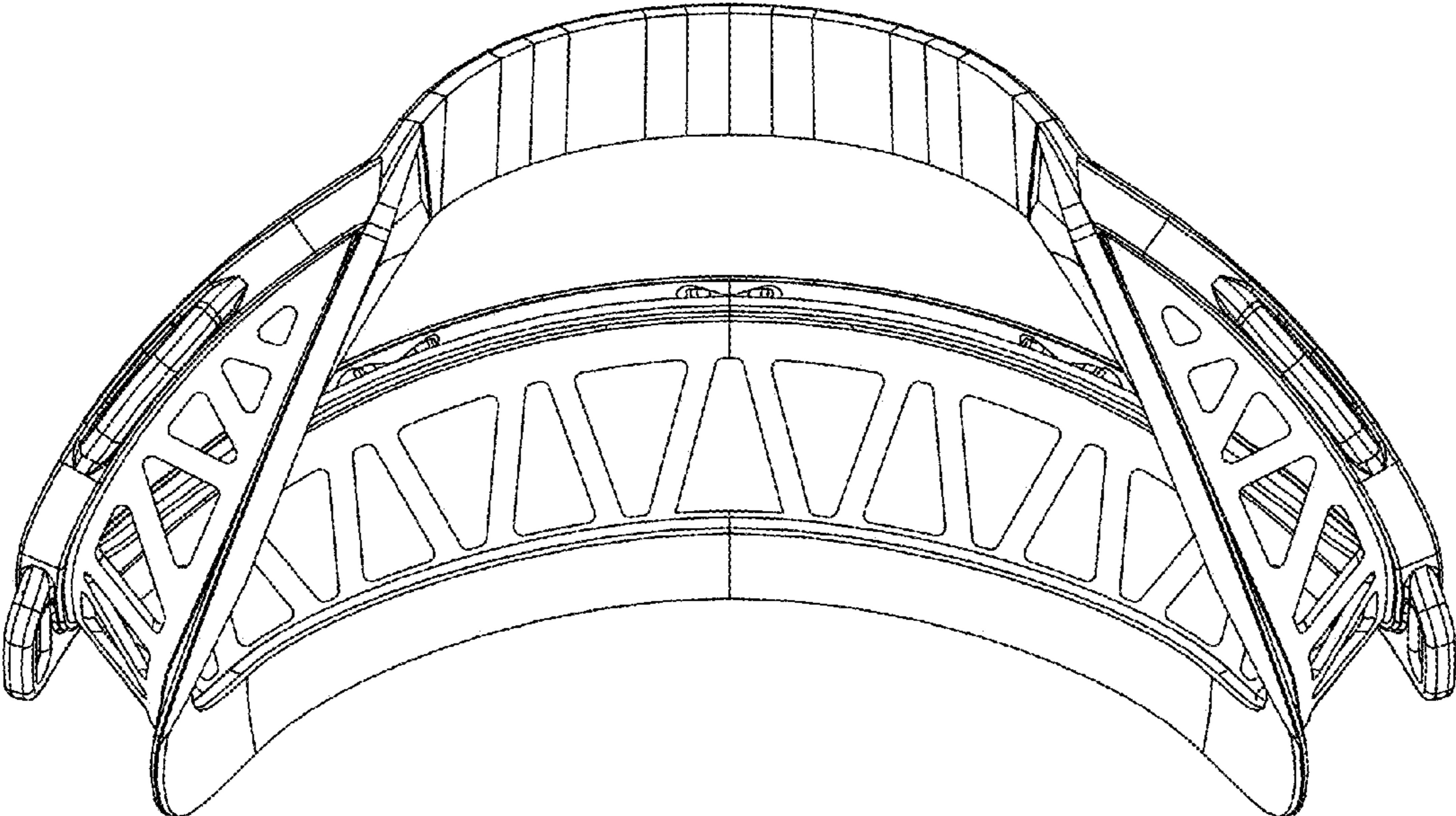


FIG. 7