

US00D760830S

(12) **United States Design Patent**  
**Deluco et al.**

(10) **Patent No.:** **US D760,830 S**  
(45) **Date of Patent:** **\*\* Jul. 5, 2016**

- (54) **PROJECTOR YOKE FIXTURE**
- (71) Applicant: **Revolution Display, LLC**, Glendale, CA (US)
- (72) Inventors: **Marcus Deluco**, Pasadena, CA (US); **Jeremy Hochman**, Los Angeles, CA (US); **Shane Monsees**, Lancaster, CA (US)
- (73) Assignee: **Revolution Display, LLC**, Glendale, CA (US)
- (\*\*) Term: **15 Years**
- (21) Appl. No.: **29/543,421**
- (22) Filed: **Oct. 23, 2015**
- (51) **LOC (10) Cl.** ..... **16-02**
- (52) **U.S. Cl.**  
USPC ..... **D16/235**
- (58) **Field of Classification Search**  
USPC ..... D16/235, 219, 225, 242; D6/552; D21/514; D26/81; 353/119, 122; 352/243; 248/917, 317  
CPC ..... G03B 21/145; G03B 21/00; G03B 21/54; F21V 21/00; F16M 13/00; F16M 13/005; F16M 13/02; F16M 11/00; F16M 11/04; F16M 11/12; F16M 11/18  
See application file for complete search history.

- (56) **References Cited**  
U.S. PATENT DOCUMENTS  
D55,977 S \* 8/1920 Brown ..... D16/235  
D259,454 S \* 6/1981 Gudgel ..... D16/235  
4,826,123 A \* 5/1989 Hannah ..... F16M 11/12  
248/248  
5,278,596 A \* 1/1994 Machtig ..... G03B 21/20  
353/122  
D598,945 S \* 8/2009 Gillespie ..... D16/235  
8,061,858 B2 \* 11/2011 Belliveau ..... G03B 21/14  
353/119  
D680,573 S \* 4/2013 Sakamoto ..... D16/235

8,757,819 B2 \* 6/2014 MacDonald ..... G03B 21/145  
353/119  
D734,957 S 7/2015 Meeks  
2015/0198868 A1 \* 7/2015 Sakurai ..... G03B 21/145  
353/119

**OTHER PUBLICATIONS**

<https://web.archive.org/web/20151020193344/http://indoor.betteroffit.com/2015-09-07/vintage-antique-drafting-table/antique-drafting-table-cast-iron-adjustable/> (Last viewed on Oct. 22, 2015).  
<http://geizhals.at/p/5197/975197/975197-6.jpg> (Last viewed on Oct. 22, 2015).  
<http://ephesuslighting.com/product/luxor/> (Last viewed on Oct. 22, 2015).  
<http://www.larsonelectronics.com/p-105557-150-watt-led-explosion-proof-light-base-stand-mount-120-277v-stepped-down-to-24v-50-cord-c1d1.aspx> (Last viewed on Oct. 22, 2015).

\* cited by examiner

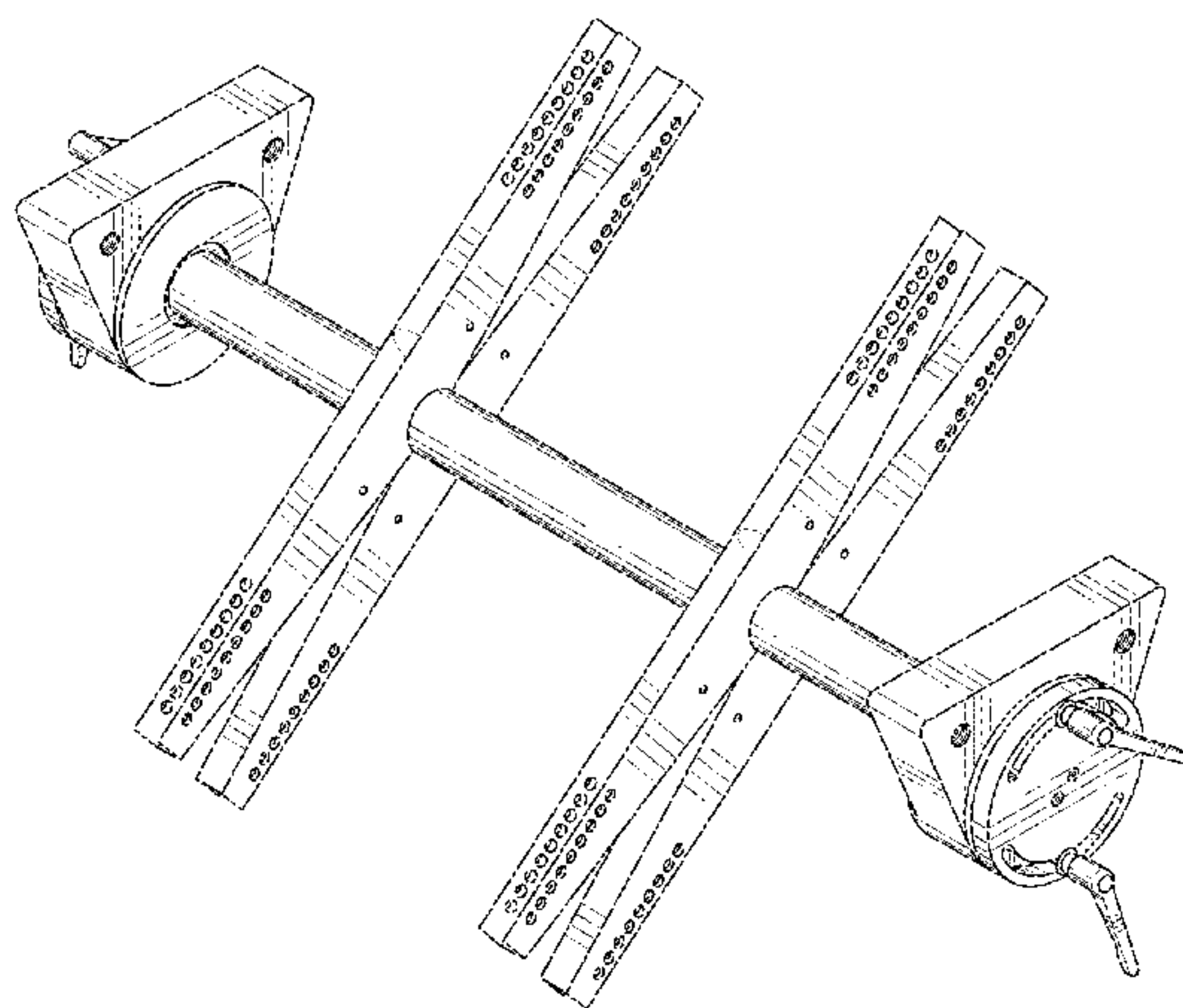
*Primary Examiner* — Wan Laymon  
(74) *Attorney, Agent, or Firm* — Downs Rachlin Martin PLLC

(57) **CLAIM**  
The ornamental design for a projector yoke fixture, as shown and described.

**DESCRIPTION**

FIG. 1 is a perspective view of a projector yoke fixture showing our new design;  
FIG. 2 is another perspective view thereof;  
FIG. 3 is a front view thereof;  
FIG. 4 is a rear view thereof;  
FIG. 5 is a side view thereof;  
FIG. 6 is a second side view thereof;  
FIG. 7 is a top view thereof; and,  
FIG. 8 is a bottom view thereof.  
The broken lines in the Figures are for the purpose of illustrating unclaimed portions of the projector yoke fixture and form no part of the claimed design. The shade lines in the Figures show contour and not surface ornamentation.

**1 Claim, 8 Drawing Sheets**



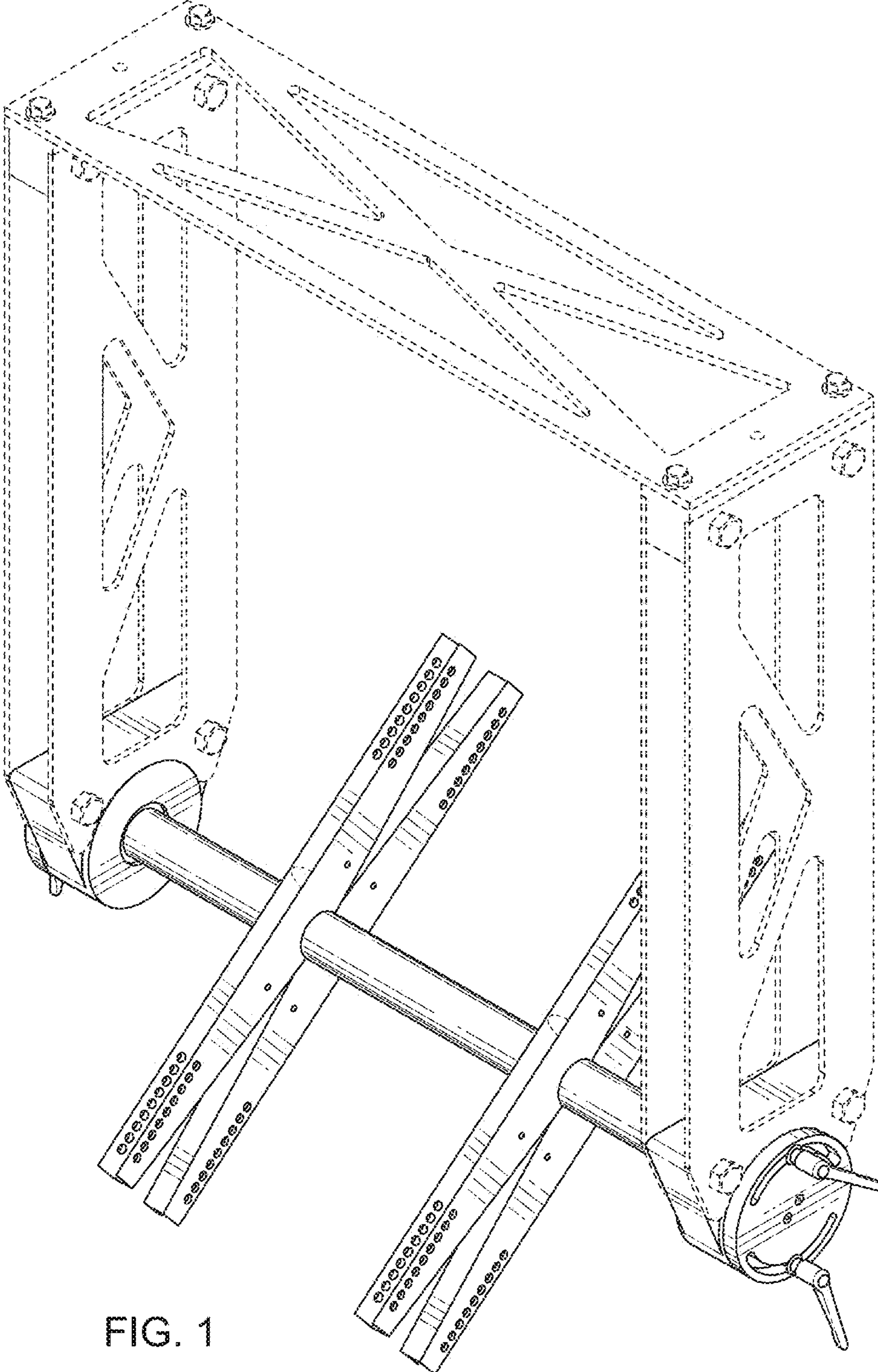


FIG. 1



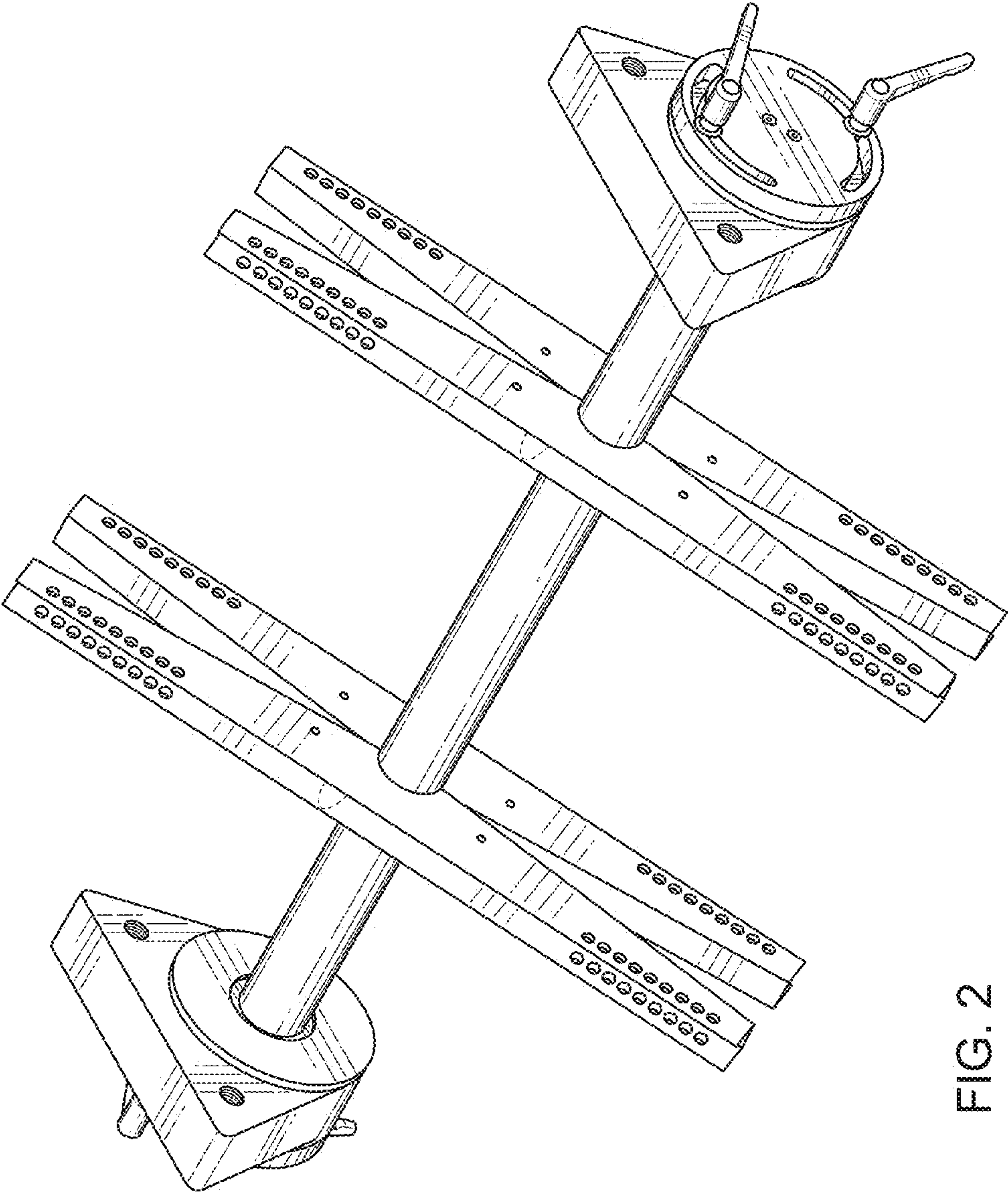


FIG. 2

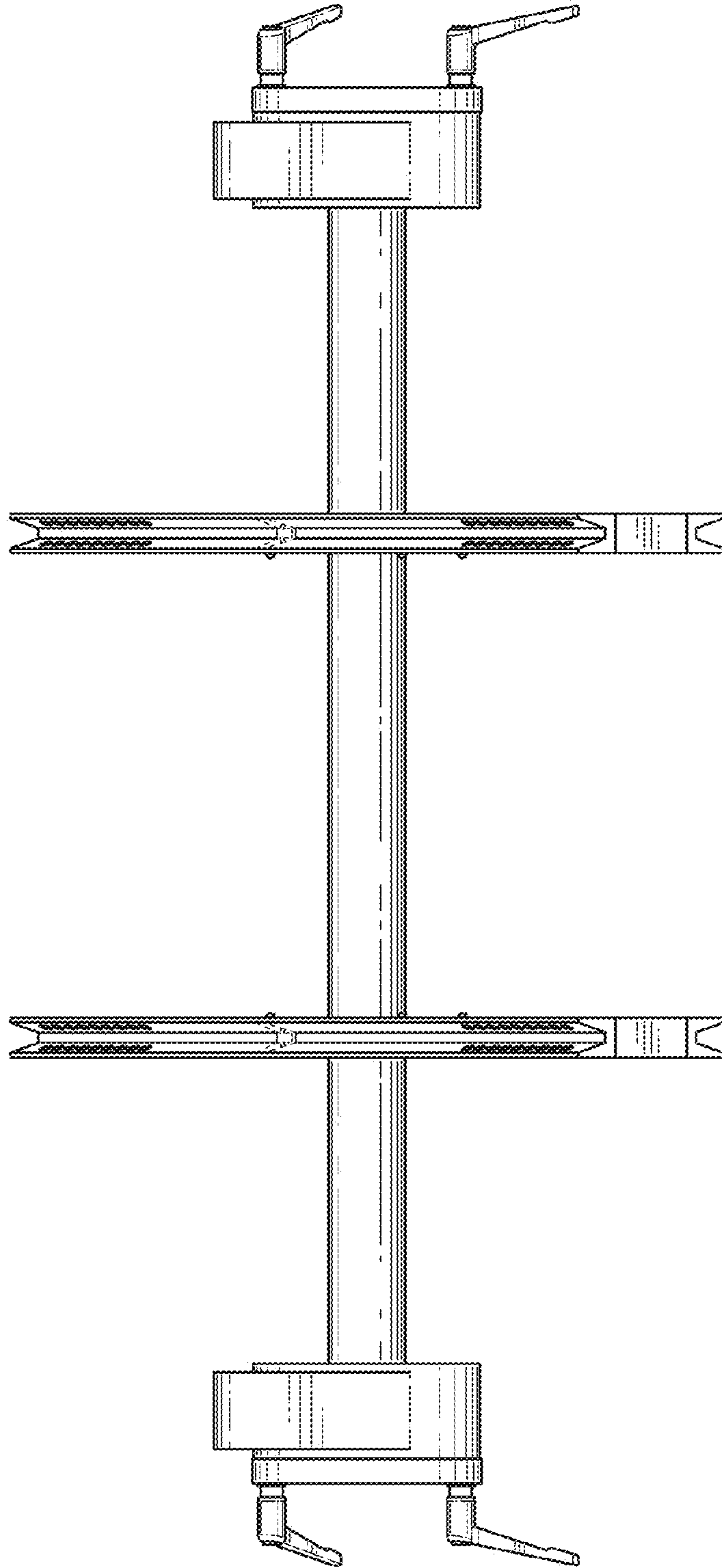


FIG. 3

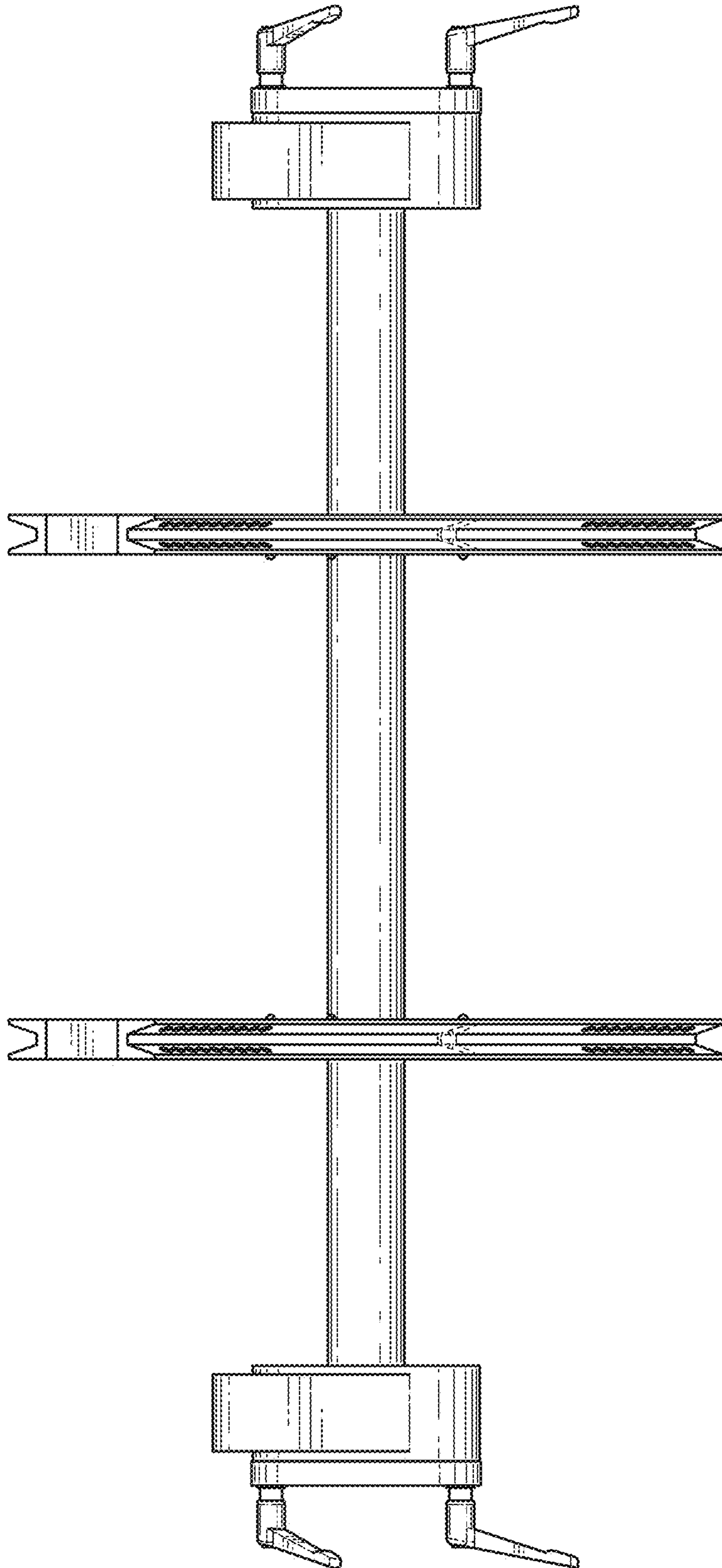


FIG. 4

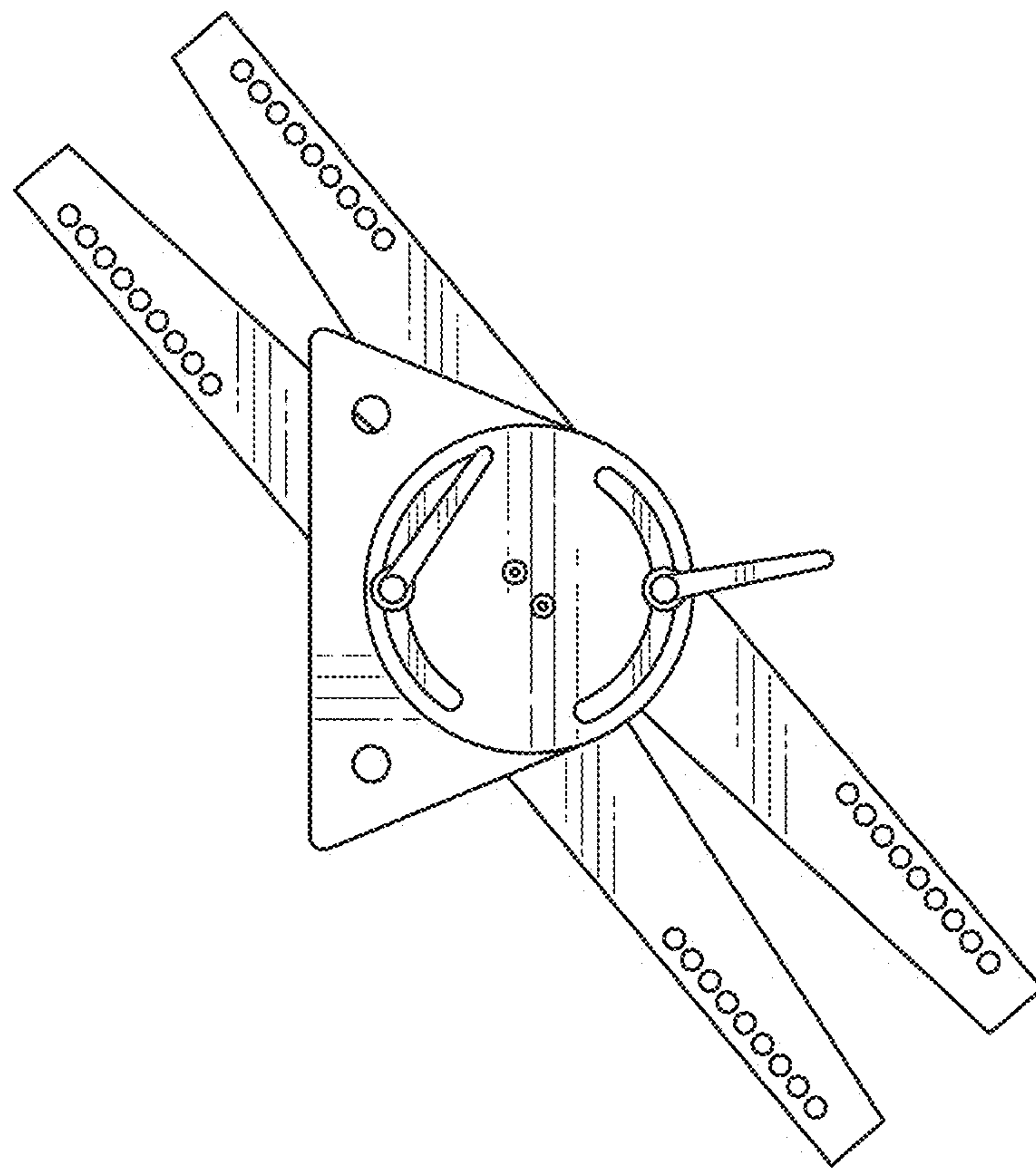


FIG. 5

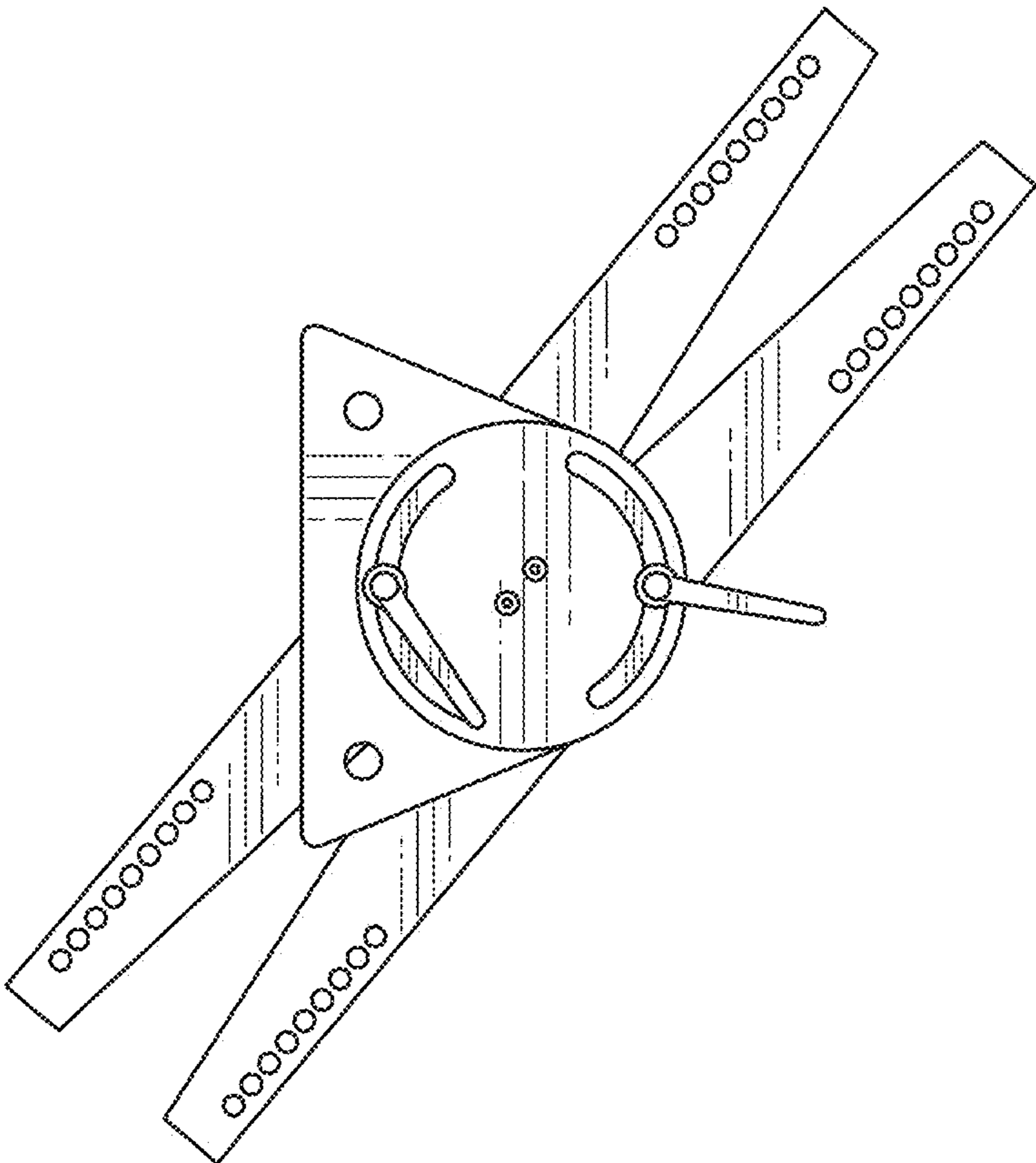


FIG. 6

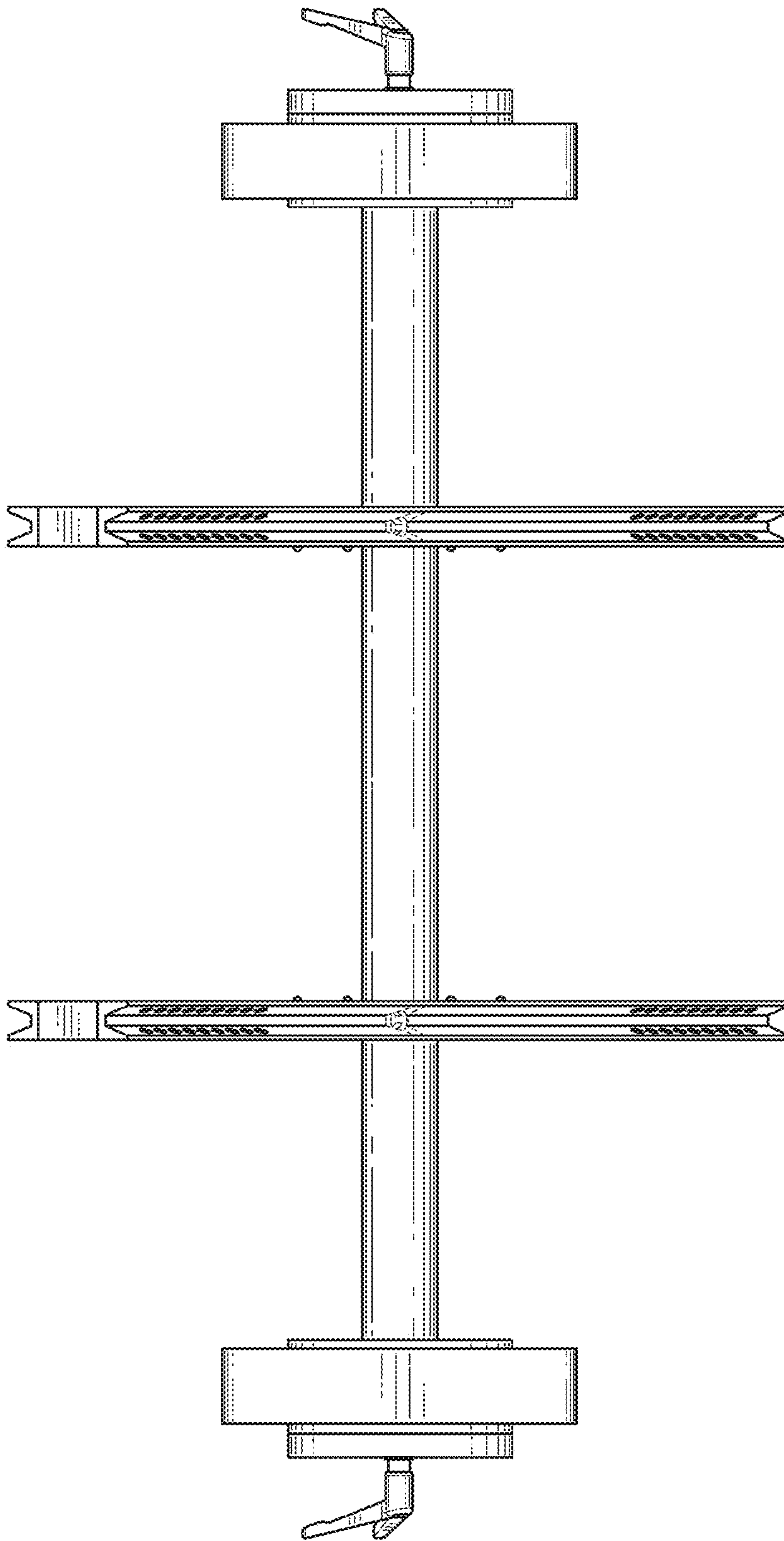


FIG. 7



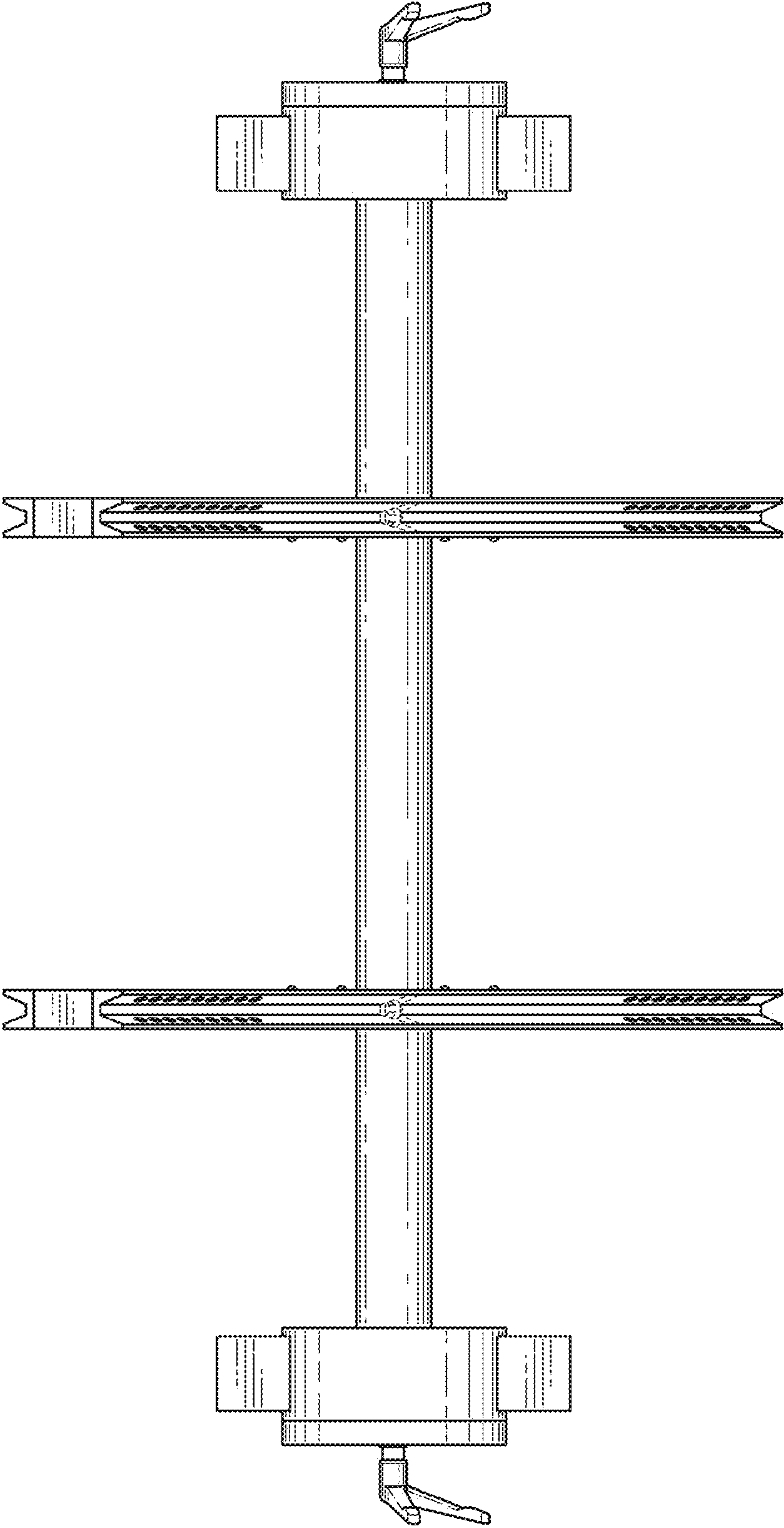


FIG. 8