



US00D760829S

(12) **United States Design Patent**
Pacurariu et al.

(10) **Patent No.:** **US D760,829 S**

(45) **Date of Patent:** **** Jul. 5, 2016**

(54) **CYLINDRICAL CAMERA**

(71) Applicant: **LYVE MINDS, INC.**, Cupertino, CA
(US)

(72) Inventors: **Mihnea Calin Pacurariu**, Los Gatos,
CA (US); **Peter O. Schmidt**, San Jose,
CA (US); **Jon Norton**, Menlo Park, CA
(US); **David Hoenig**, Cupertino, CA
(US); **Andreas von Sneidern**, San Jose,
CA (US)

(73) Assignee: **LYVE MINDS, INC.**, Cupertino, CA
(US)

(**) Term: **15 Years**

(21) Appl. No.: **29/528,141**

(22) Filed: **May 26, 2015**

(51) **LOC (10) Cl.** **16-01**

(52) **U.S. Cl.**
USPC **D16/202**

(58) **Field of Classification Search**
USPC D16/200, 202–206, 208, 218, 219, 242;
348/143, 148, 151, 373–376; 396/419,
396/427, 535, 539–541
CPC . H04N 5/2251; H04N 5/2252; H04N 5/2253;
H04N 5/2254; H04N 7/181; H04N 7/183;
H04N 7/18; G08B 13/1963; G08B 13/19619;
G08B 13/19632; G03B 17/02; G03B 19/04;
G03B 17/56; G03B 17/04; G03B 15/03
See application file for complete search history.

(56) **References Cited**

U.S. PATENT DOCUMENTS

- 4,160,999 A * 7/1979 Claggett G08B 13/19619
348/151
- D364,632 S * 11/1995 Nakashima D16/202
- D518,080 S * 3/2006 Uehara D16/202
- D662,122 S * 6/2012 Goodwin D16/208
- D729,296 S * 5/2015 Shelton D16/202
- D730,422 S * 5/2015 Kim D16/218

- D733,780 S * 7/2015 Chen D16/202
- D734,801 S * 7/2015 Yang D16/202
- D742,954 S * 11/2015 Simonelli D16/203
- D743,465 S * 11/2015 Aglassinger D16/203
- D743,475 S * 11/2015 Cover D16/203
- D748,179 S * 1/2016 Scalisi D10/118.2
- 2010/0284081 A1 * 11/2010 Gutierrez G02B 7/102
359/554

* cited by examiner

Primary Examiner — Philip S Hyder

Assistant Examiner — Ramzi Almatrahi

(74) *Attorney, Agent, or Firm* — Maschoff Brennan

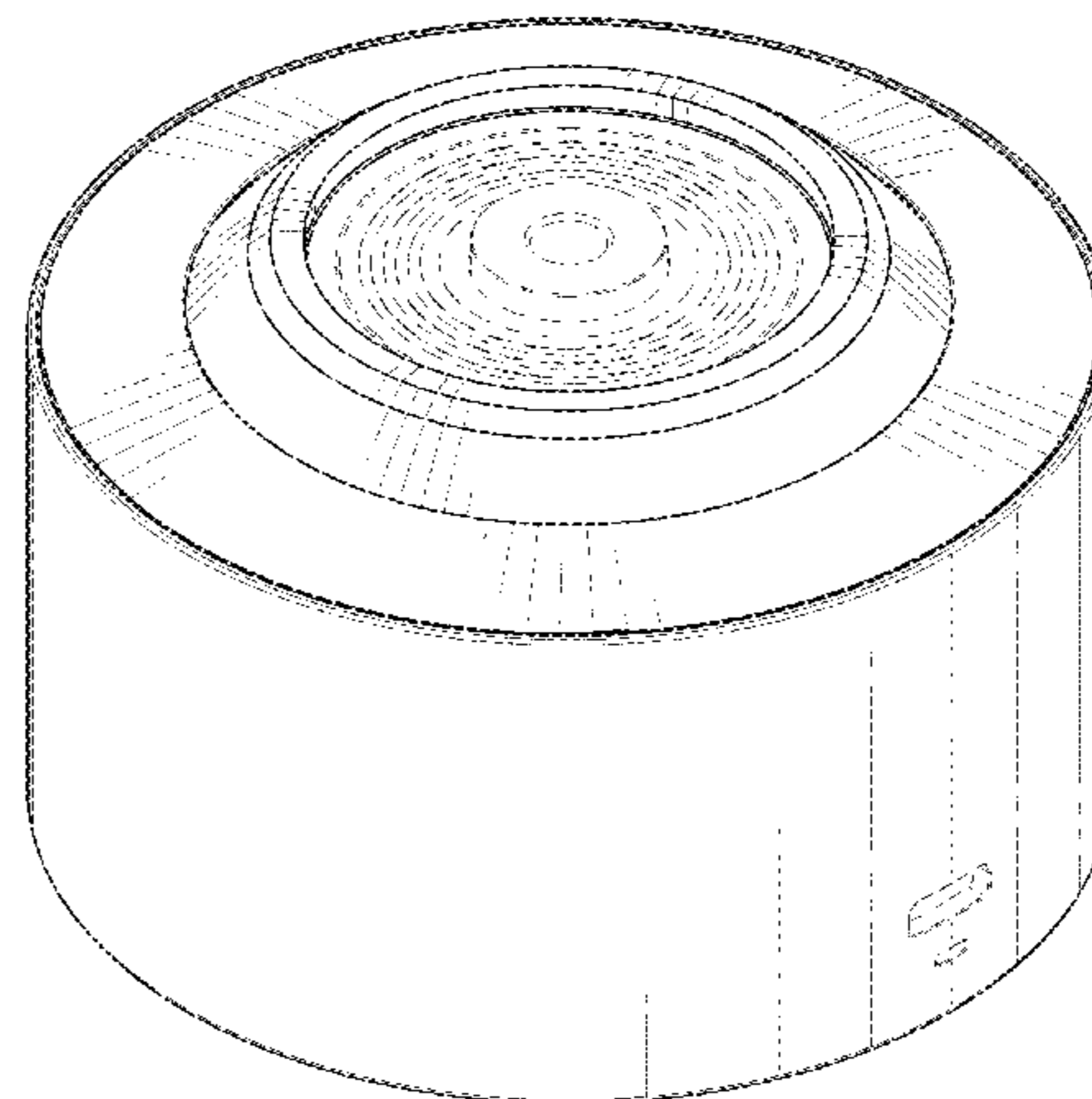
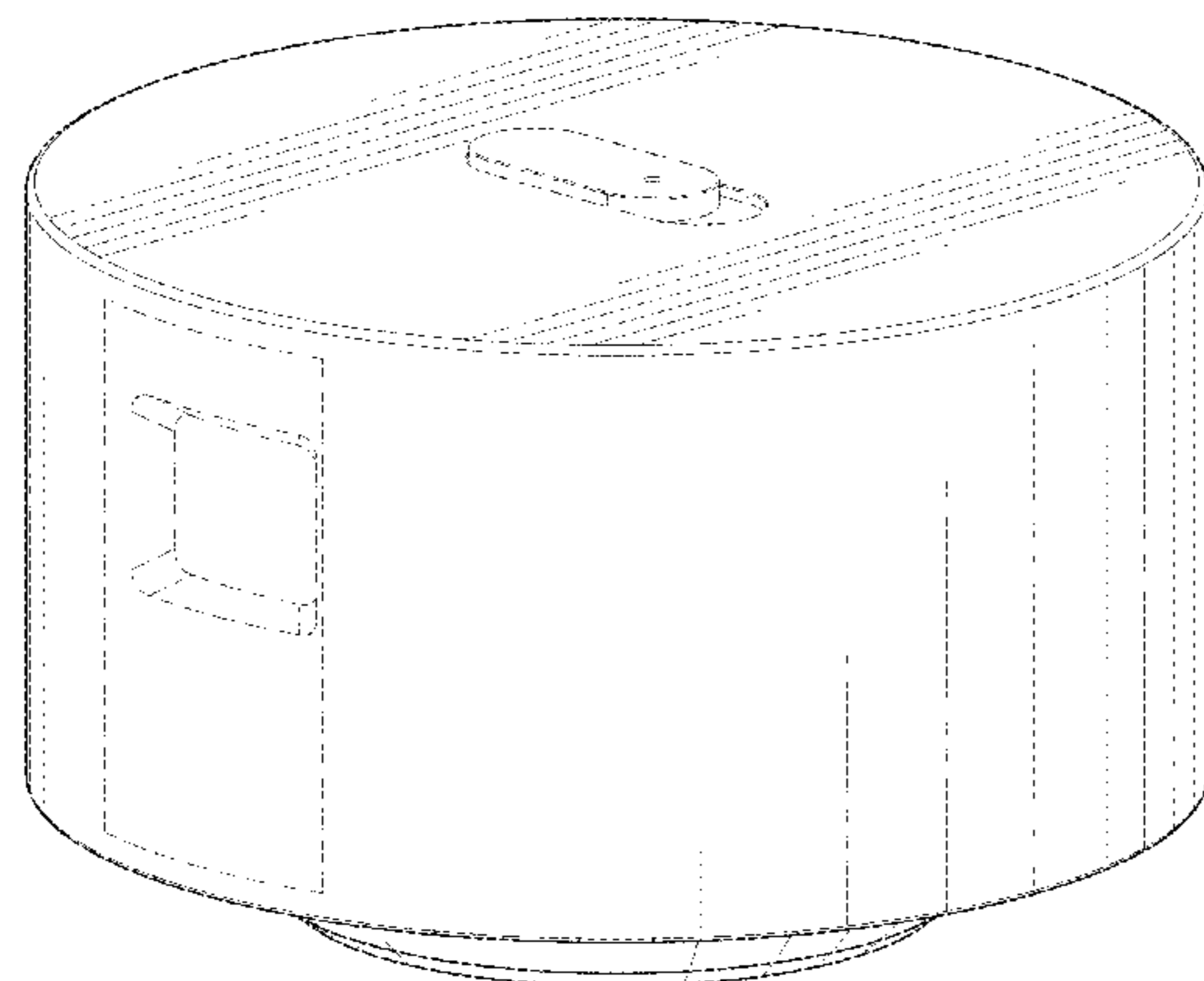
(57) **CLAIM**

The ornamental design for a cylindrical camera, as shown and described.

DESCRIPTION

FIG. 1 is a top, front and right side perspective view of a cylindrical camera;
 FIG. 2 is a bottom, back and left side perspective view of the cylindrical camera shown in FIG. 1;
 FIG. 3 is a front view of the cylindrical camera shown in FIG. 1;
 FIG. 4 is a back view of the cylindrical camera shown in FIG. 1;
 FIG. 5 is a left side view of the cylindrical camera shown in FIG. 1;
 FIG. 6 is a right side view of the cylindrical camera shown in FIG. 1;
 FIG. 7 is a top view of the cylindrical camera shown in FIG. 1;
 FIG. 8 is a bottom view of the cylindrical camera shown in FIG. 1;
 FIG. 9 is a left side view of the cylindrical camera, shown in an upward tilted position; and,
 FIG. 10 is a left side view of the cylindrical camera, shown in a downward tilted position.
 The broken lines depict portions of the cylindrical camera in which the design is embodied that form no part of the claimed design.

1 Claim, 7 Drawing Sheets



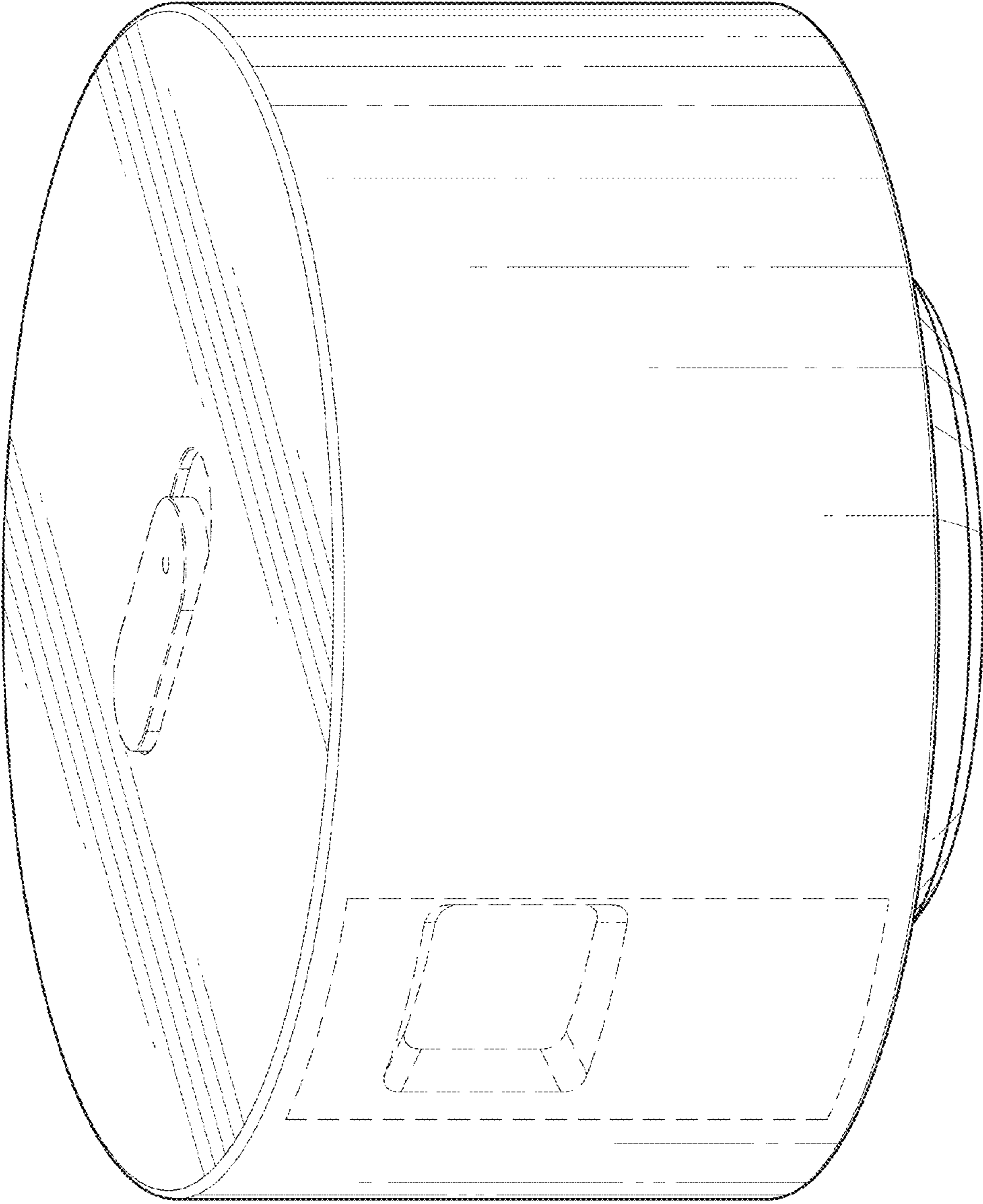


Fig. 1

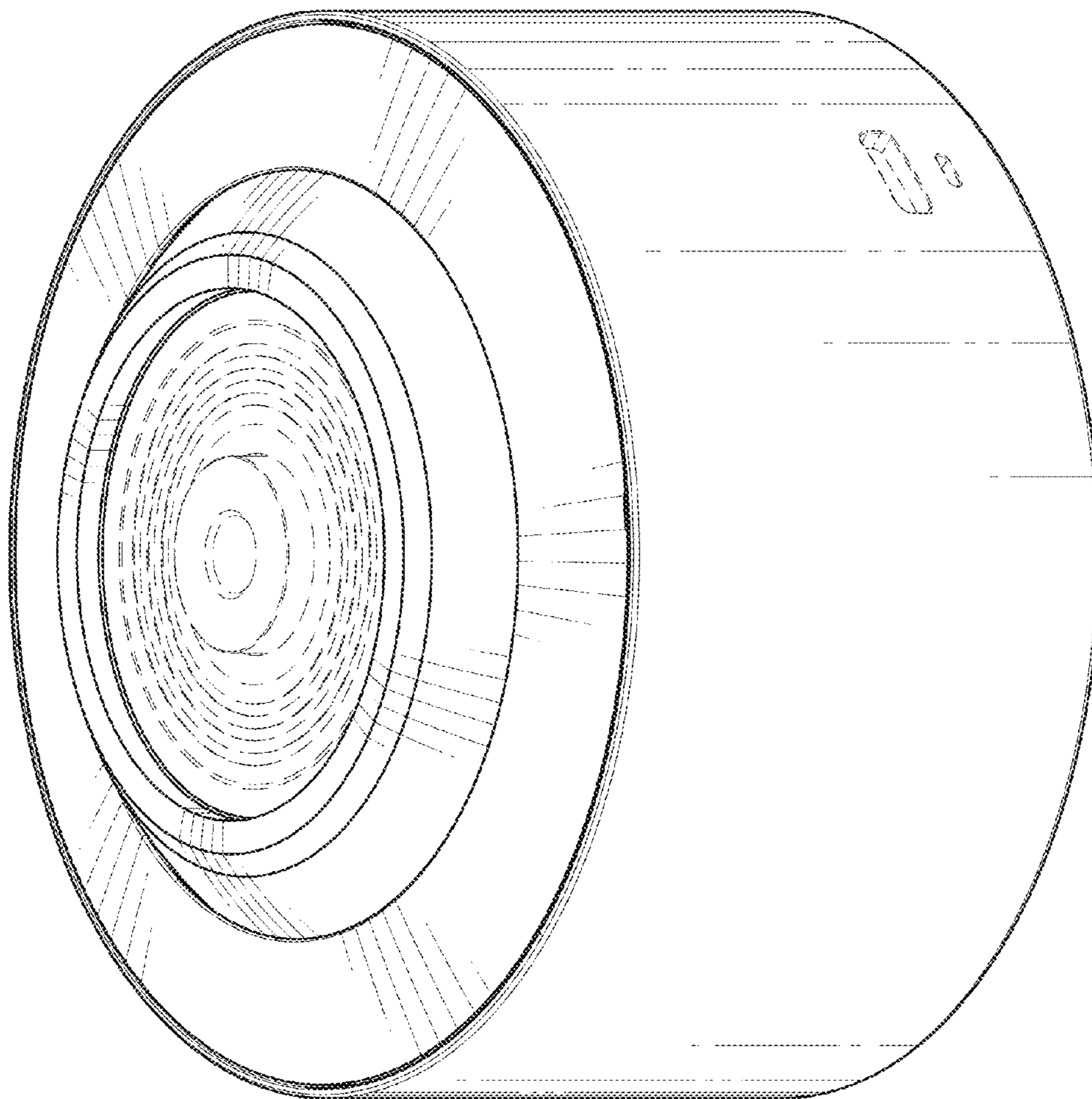


Fig. 2

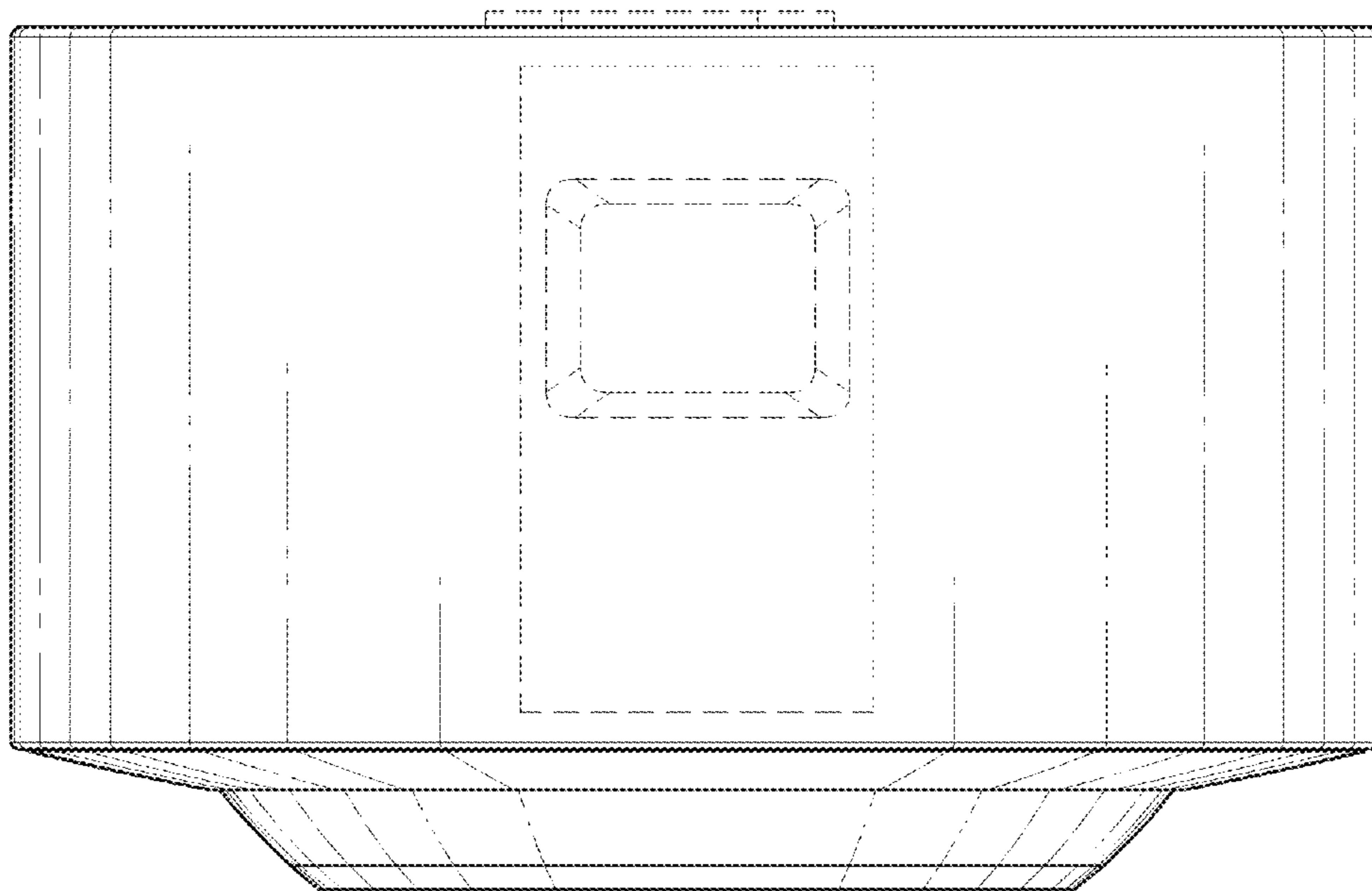


Fig. 3

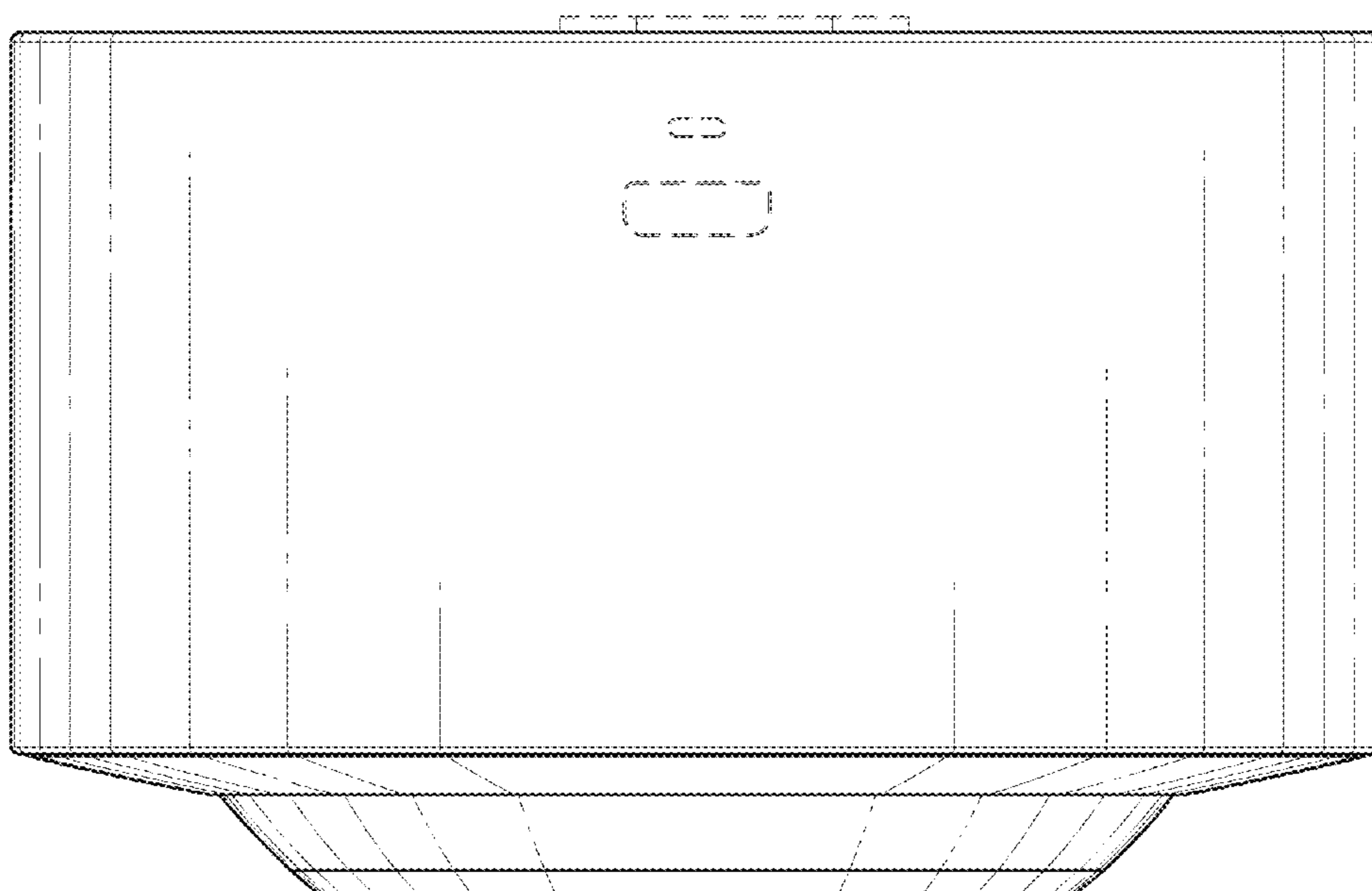


Fig. 4

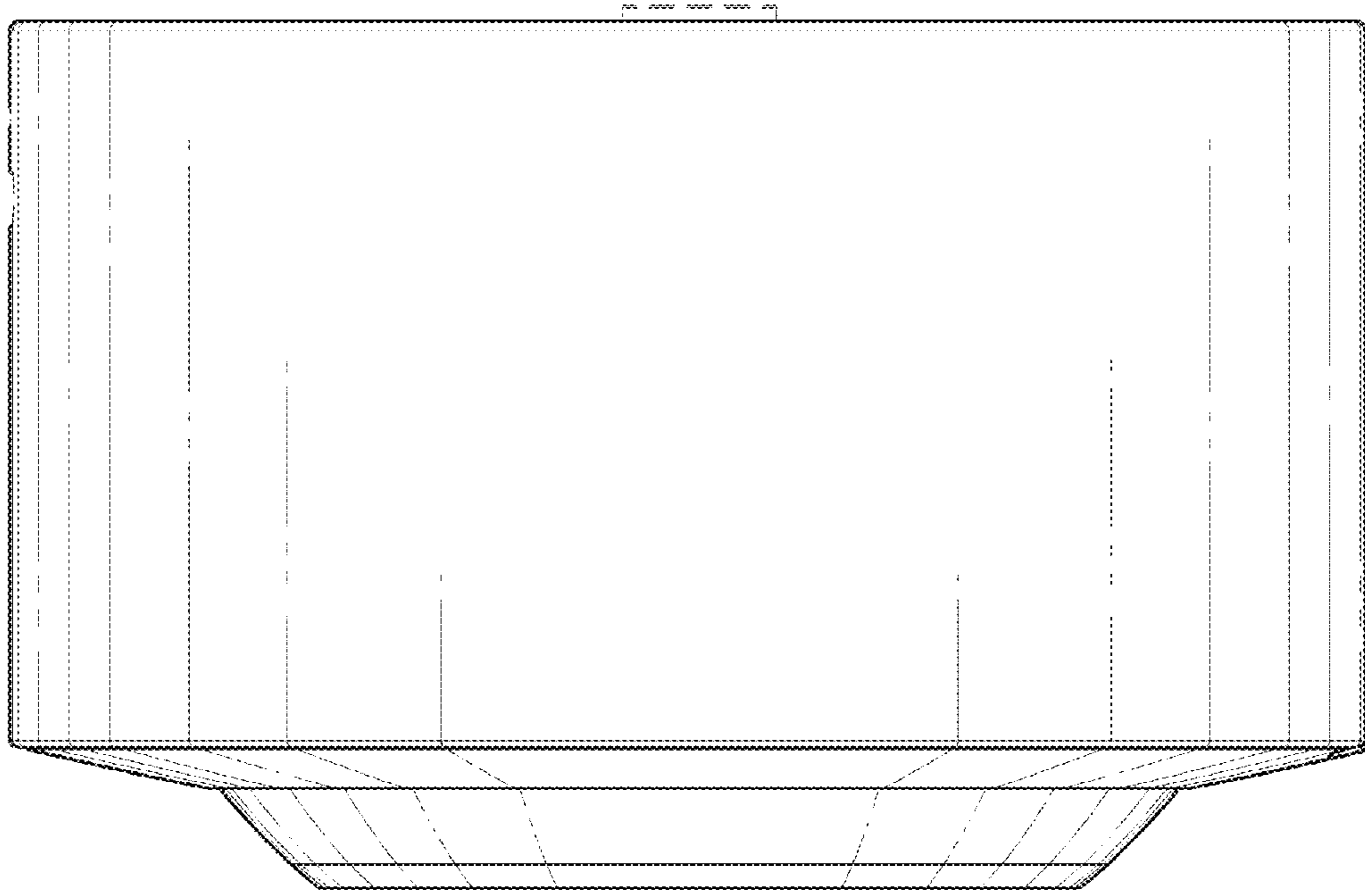


Fig. 5

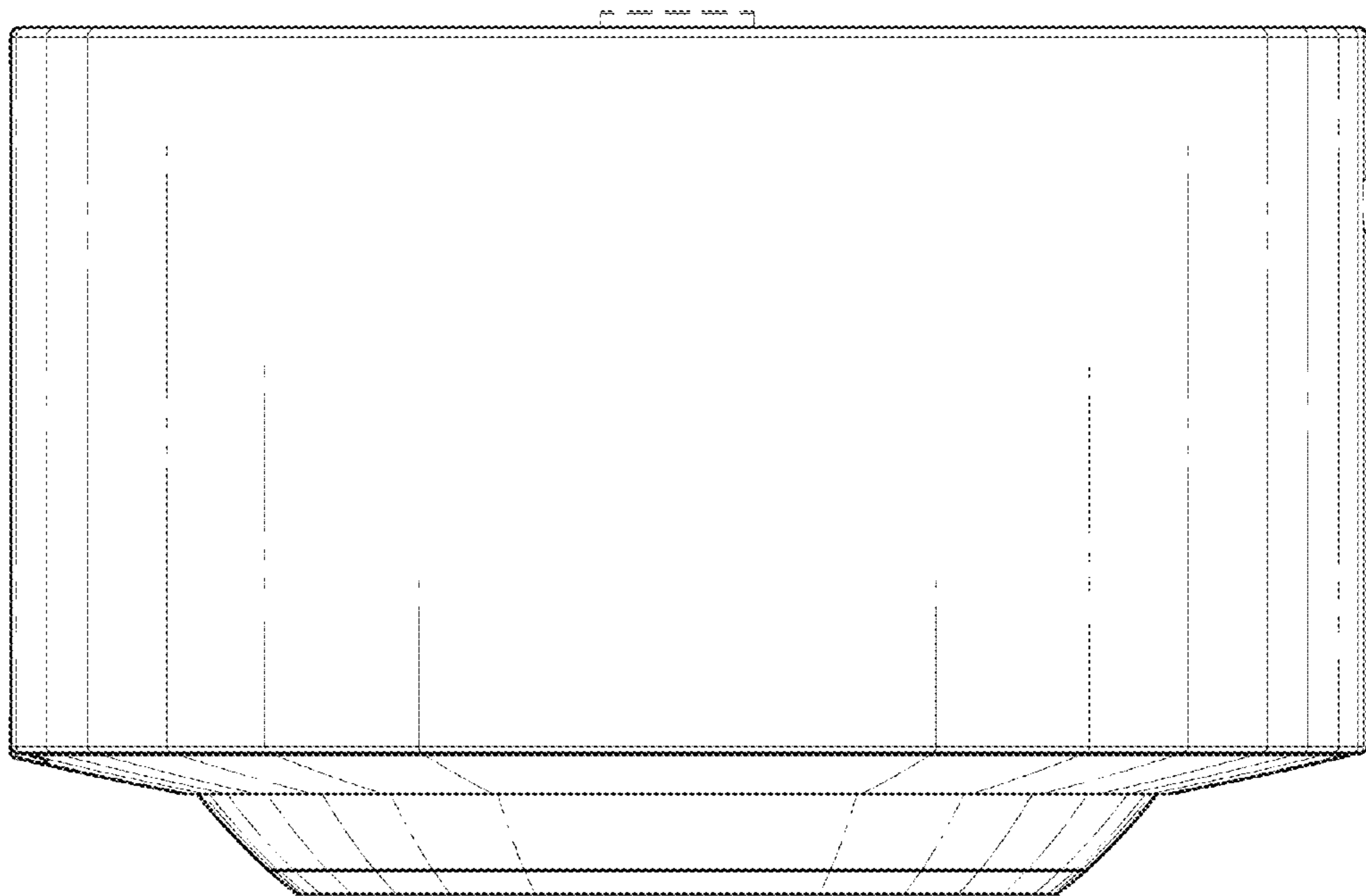


Fig. 6

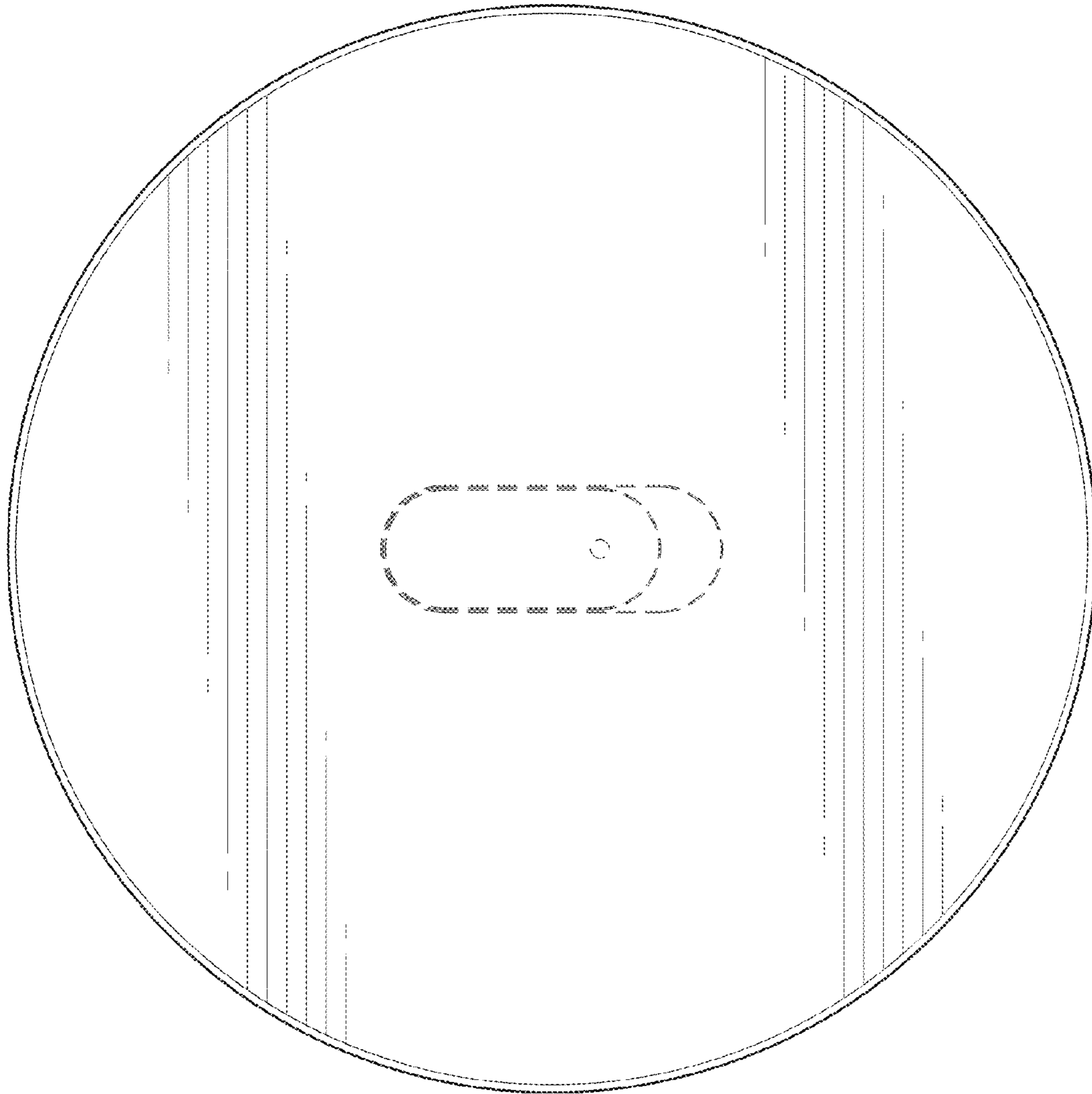


Fig. 7

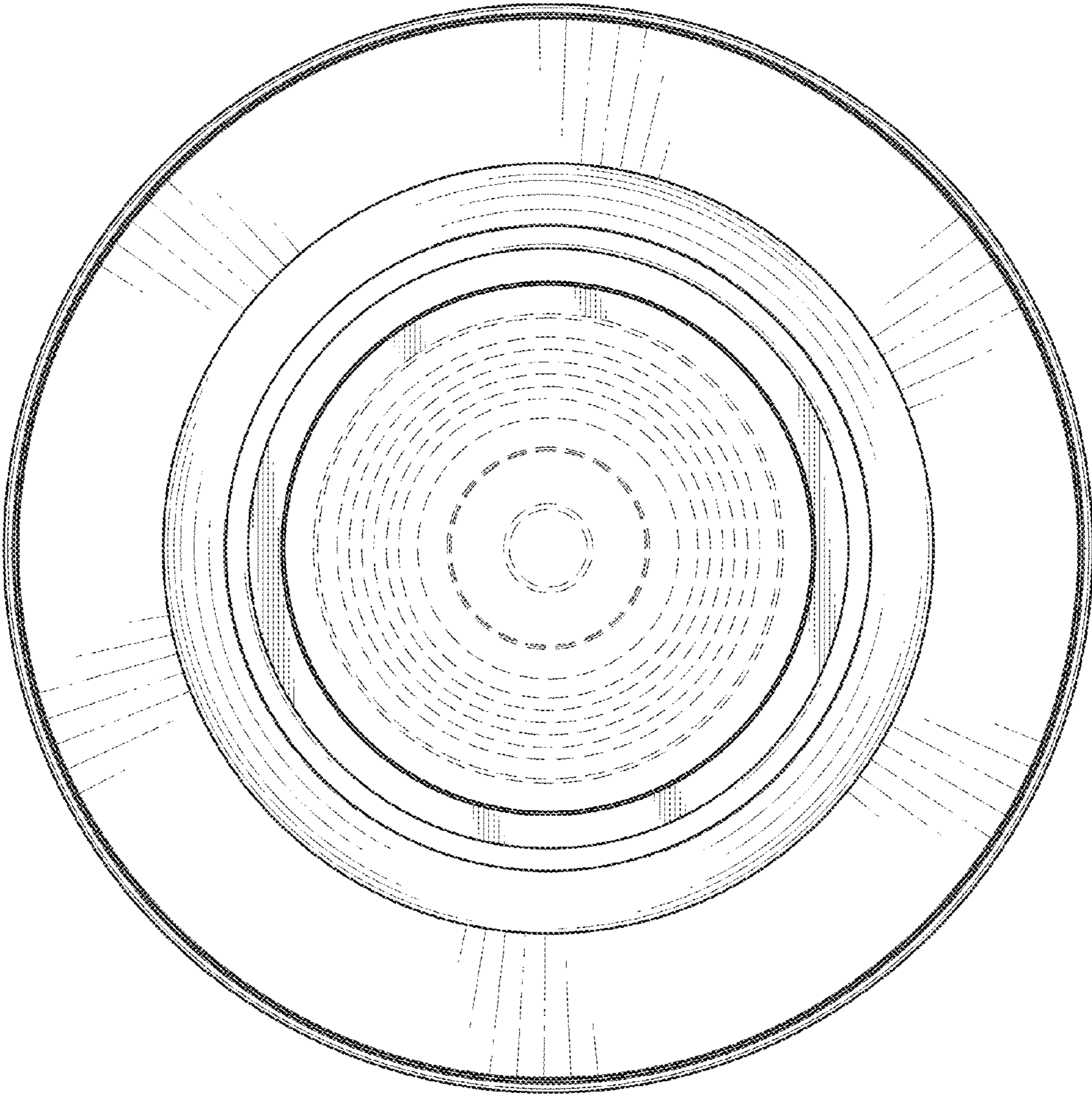


Fig. 8

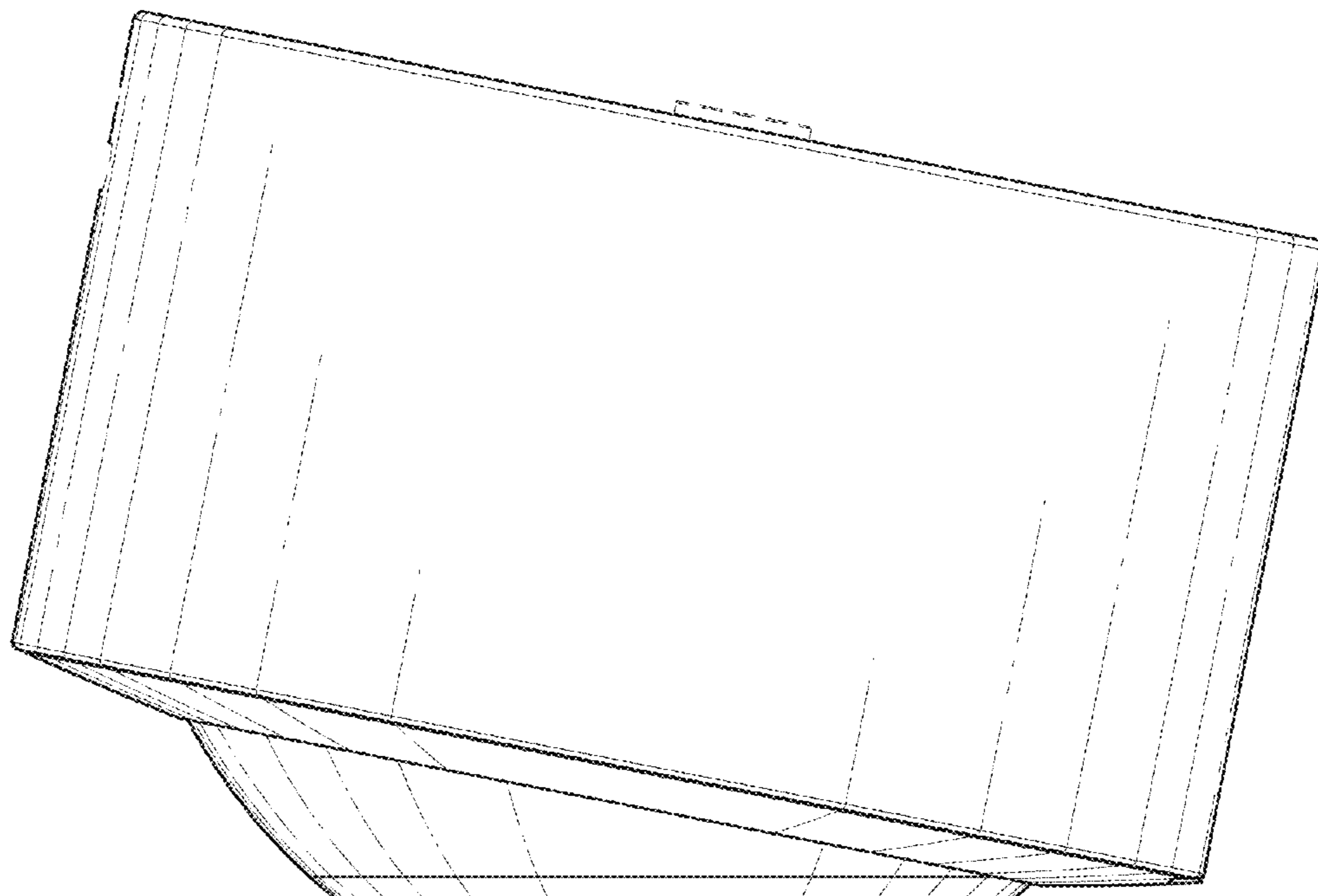


Fig. 9

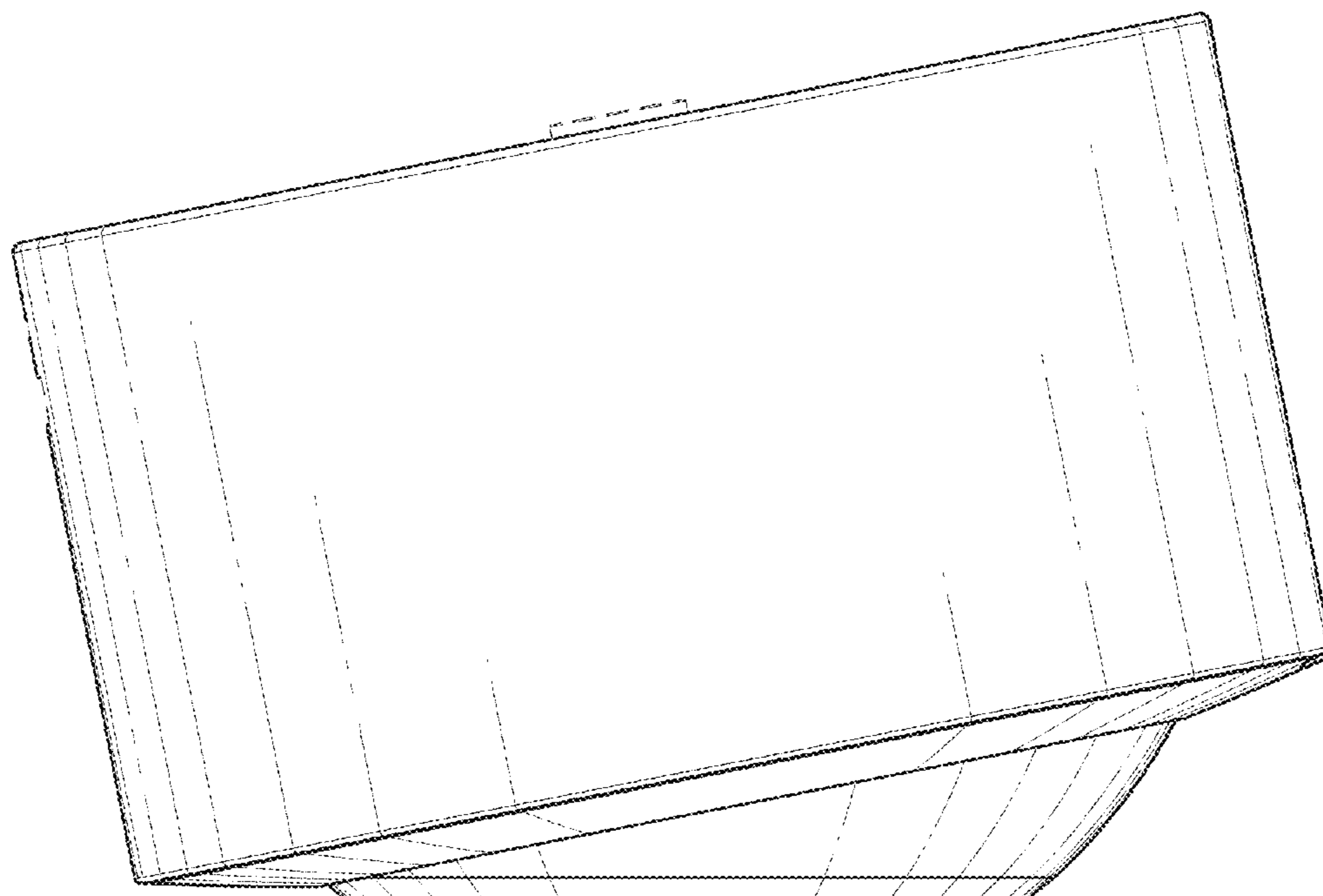


Fig. 10