



US00D760828S

(12) **United States Design Patent**  
**Hart**

(10) **Patent No.:** **US D760,828 S**  
(45) **Date of Patent:** **\*\* Jul. 5, 2016**

- (54) **SKID MOUNTED FUEL STORAGE TANK**
- (71) Applicant: **HART OILFIELD RENTALS LTD.,**  
Rocky Mountain House (CA)
- (72) Inventor: **Gordon Hart,** Rocky Mountain House  
(CA)
- (\*\*) Term: **14 Years**
- (21) Appl. No.: **29/486,474**
- (22) Filed: **Mar. 30, 2014**
- (51) **LOC (10) Cl.** ..... **15-99**
- (52) **U.S. Cl.**  
USPC ..... **D15/199; D23/202**
- (58) **Field of Classification Search**  
USPC ..... D12/95, 97; D15/199; D23/202, 203  
See application file for complete search history.

- D441,692 S \* 5/2001 Niblett ..... D12/95
- D442,520 S \* 5/2001 Wade ..... D12/95
- 6,223,526 B1 \* 5/2001 Wissler ..... B60K 15/03  
220/23.87
- D447,535 S \* 9/2001 Oakley ..... D12/95
- D456,175 S \* 4/2002 Golembeski ..... D6/671.1
- 7,143,635 B1 \* 12/2006 Major ..... G01M 3/3263  
73/40
- D557,178 S \* 12/2007 Petzillo, Jr. .... D12/95
- 7,566,358 B2 \* 7/2009 Hart ..... B01D 53/0407  
141/59
- D637,114 S \* 5/2011 Ries ..... D12/95
- D653,587 S \* 2/2012 Haut ..... D12/95
- D654,556 S \* 2/2012 McIntosh ..... D23/202
- D688,772 S \* 8/2013 Oren ..... D23/202
- D720,037 S \* 12/2014 Rowsey ..... D23/202
- D727,237 S \* 4/2015 Sheppard ..... D12/218

\* cited by examiner

*Primary Examiner* — Patricia Palasik  
(74) *Attorney, Agent, or Firm* — Sander R. Gelsing

(56) **References Cited**

**U.S. PATENT DOCUMENTS**

- 1,497,313 A \* 6/1924 Altmann ..... B60K 15/063  
137/263
- 2,002,407 A \* 5/1935 Lemke ..... B08B 9/0933  
210/533
- D207,693 S \* 5/1967 Haug et al. .... D23/202
- D259,807 S \* 7/1981 Koga ..... D23/202
- D298,273 S \* 10/1988 Cobb ..... D23/202
- D320,055 S \* 9/1991 Parker ..... D23/202
- 5,299,709 A \* 4/1994 Beerbower ..... B65D 90/24  
137/356
- D353,352 S \* 12/1994 Holloway, Jr. .... D12/95
- 5,390,713 A \* 2/1995 Fiech ..... B60S 5/02  
137/234.6
- D378,810 S \* 4/1997 Norman, Jr. .... D12/95
- D379,948 S \* 6/1997 Wade ..... D12/95
- D384,913 S \* 10/1997 Norman, Jr. .... D12/95
- D398,951 S \* 9/1998 Young ..... D23/202
- D417,171 S \* 11/1999 Satterfield ..... D12/95

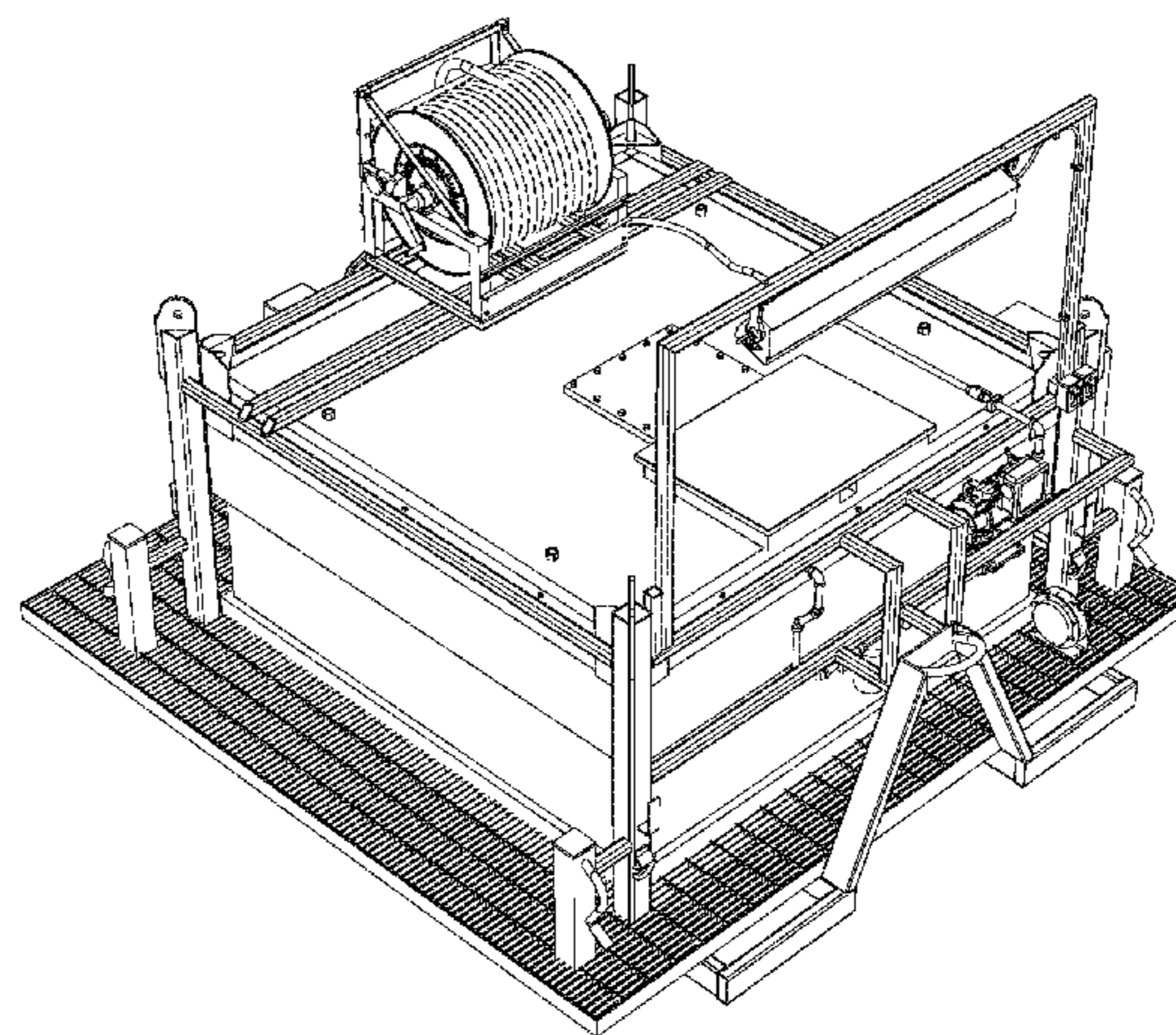
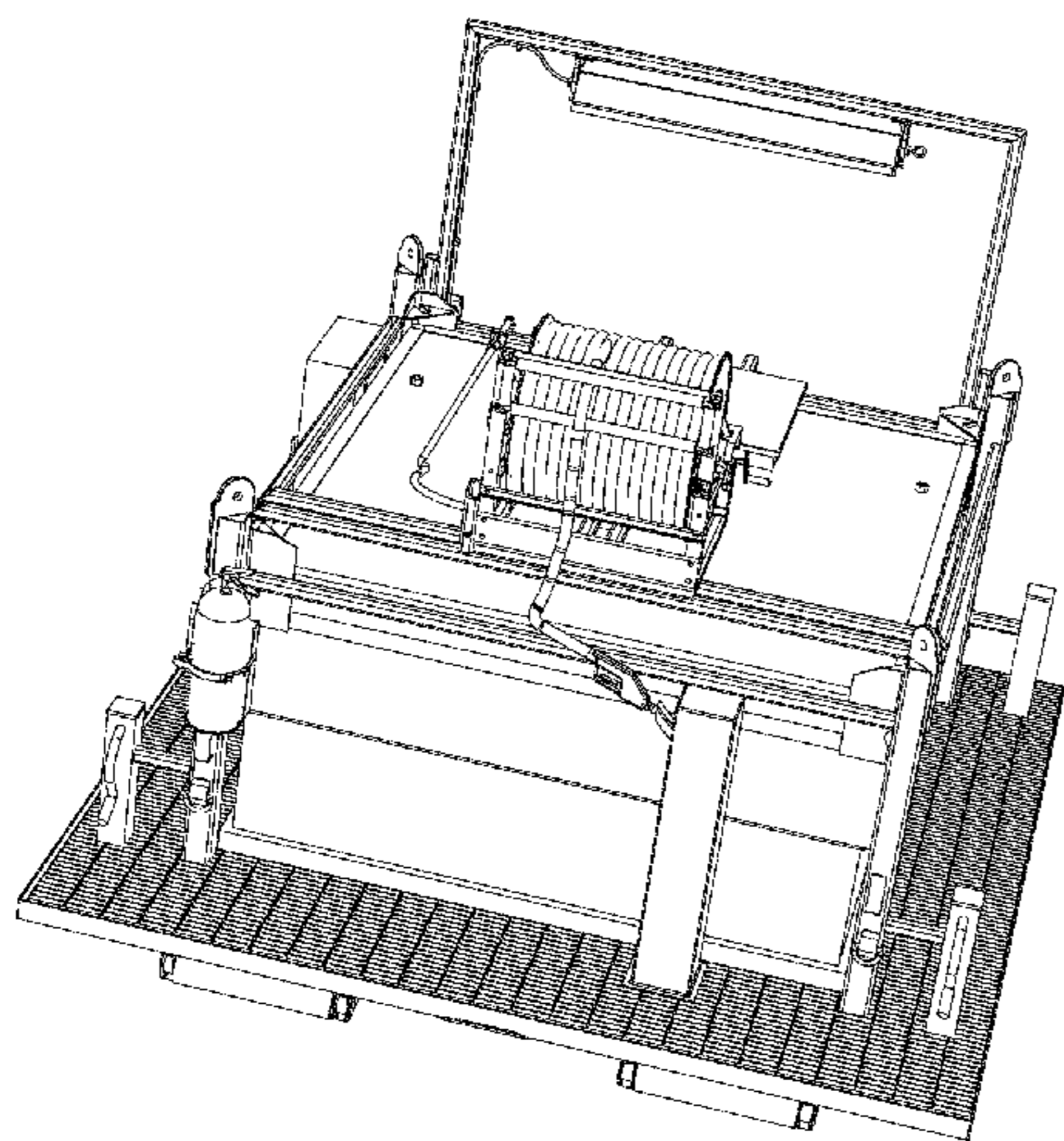
(57) **CLAIM**

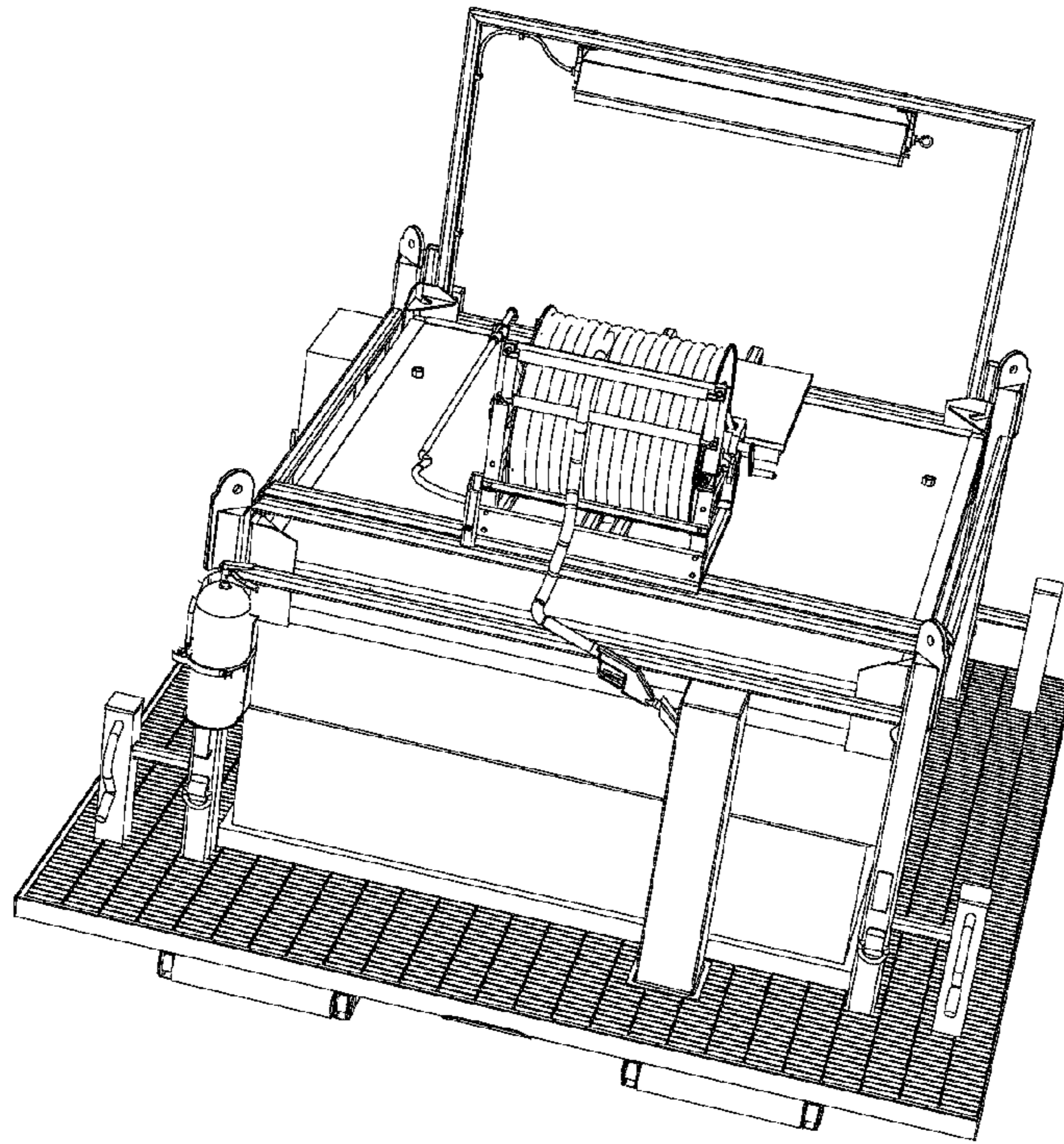
The ornamental design for a skid mounted fuel storage tank, as shown and described.

**DESCRIPTION**

FIG. 1 is a front perspective view of the embodiment of the skid mounted fuel storage tank;  
 FIG. 2 is a rear perspective view of the skid mounted fuel storage tank;  
 FIG. 3 is a front view of the skid mounted fuel storage tank;  
 FIG. 4 is a left side view of the skid mounted fuel storage tank;  
 FIG. 5 is a rear view of the skid mounted fuel storage tank;  
 FIG. 6 is a right side view of the skid mounted fuel storage tank;  
 FIG. 7 is a top view of the skid mounted fuel storage tank; and,  
 FIG. 8 is a bottom view of the skid mounted fuel storage tank.

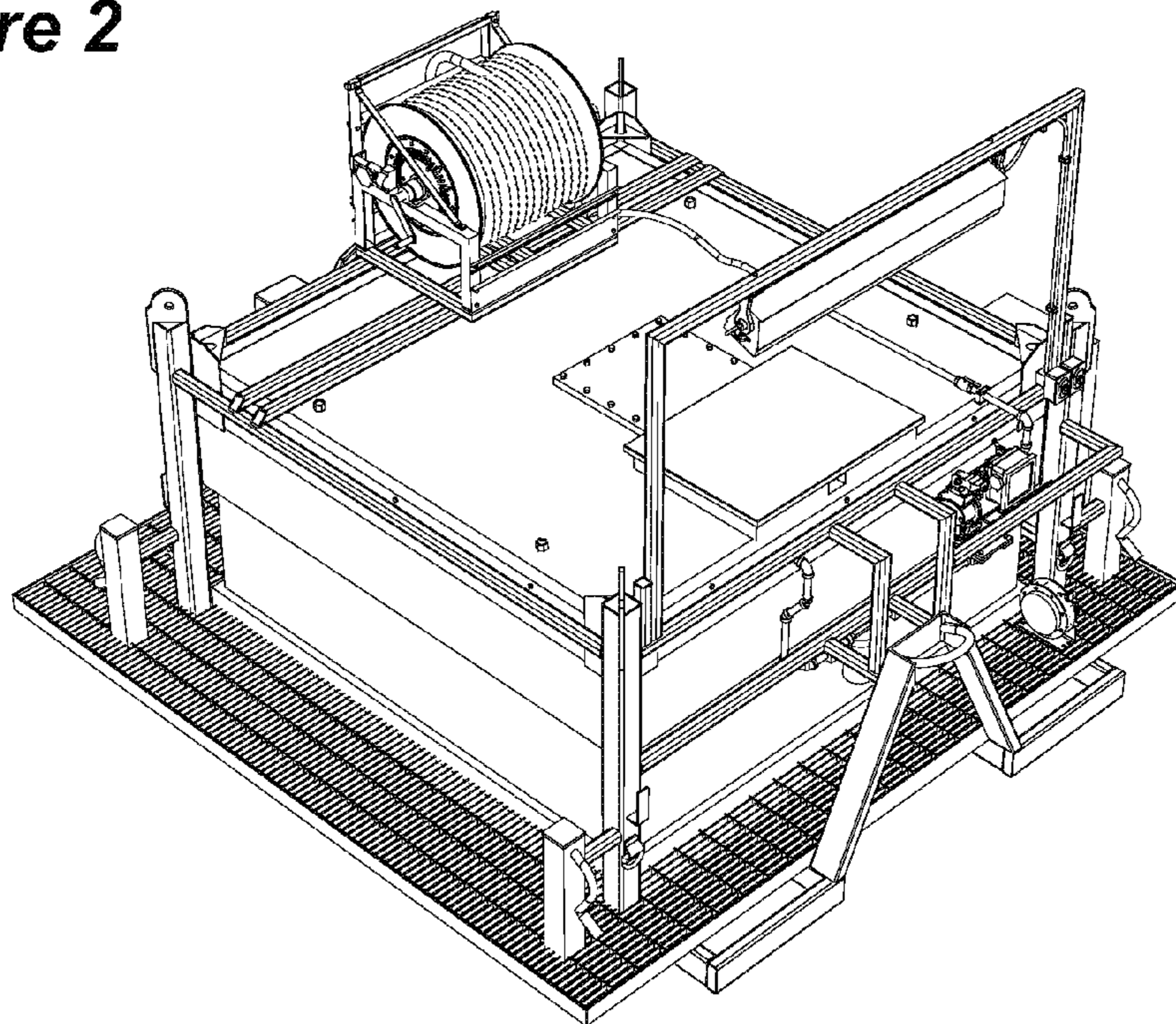
**1 Claim, 4 Drawing Sheets**



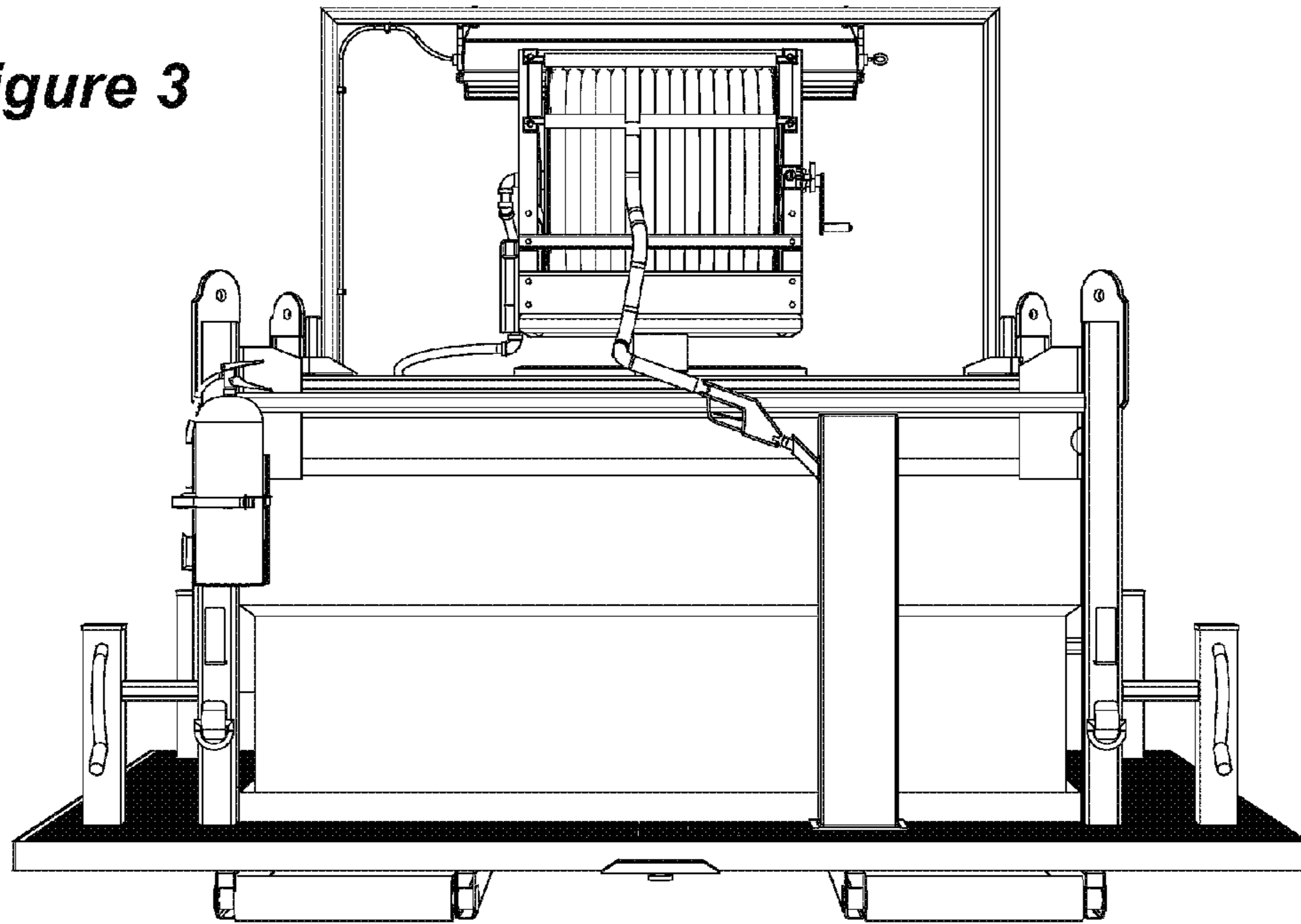


**Figure 1**

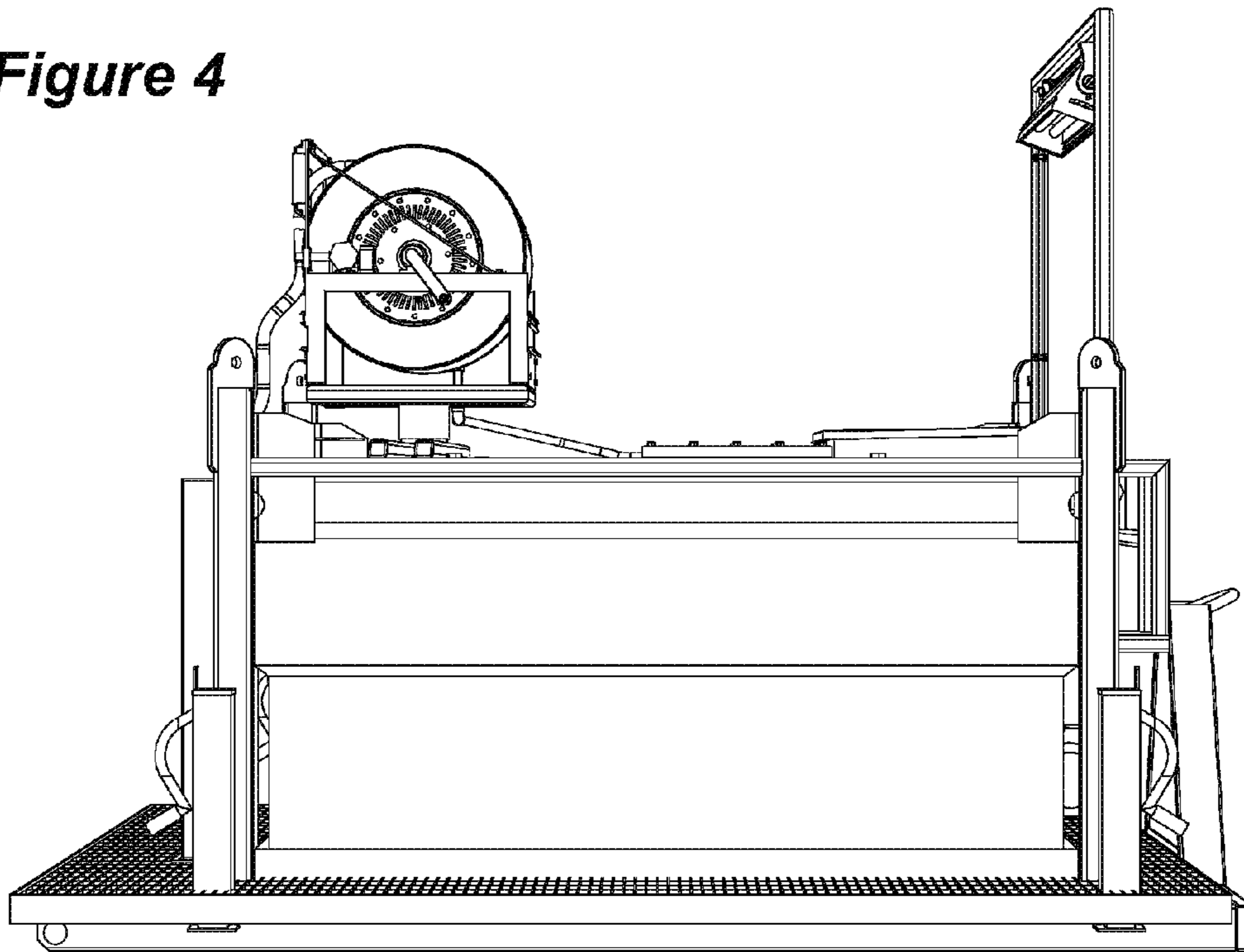
**Figure 2**



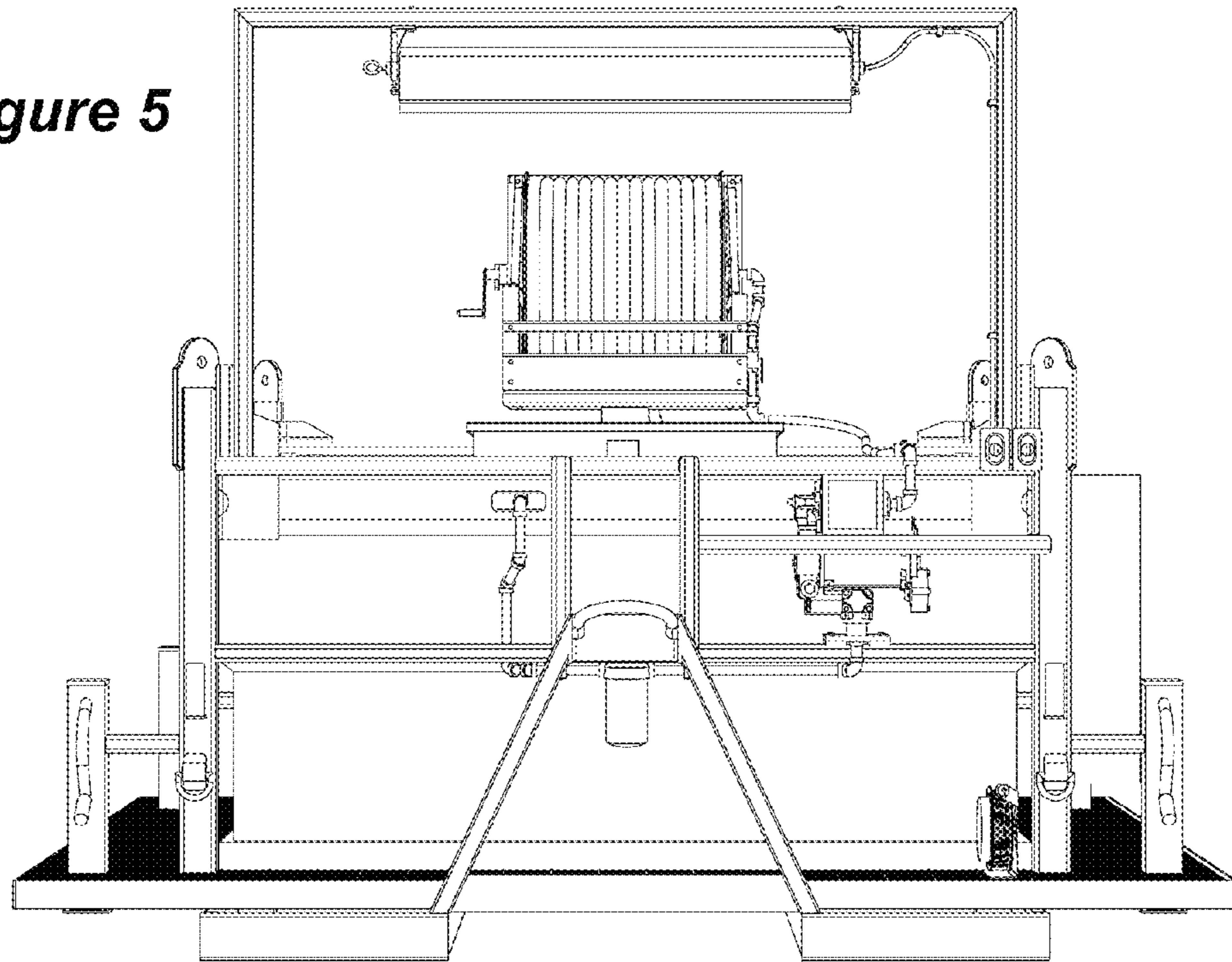
**Figure 3**



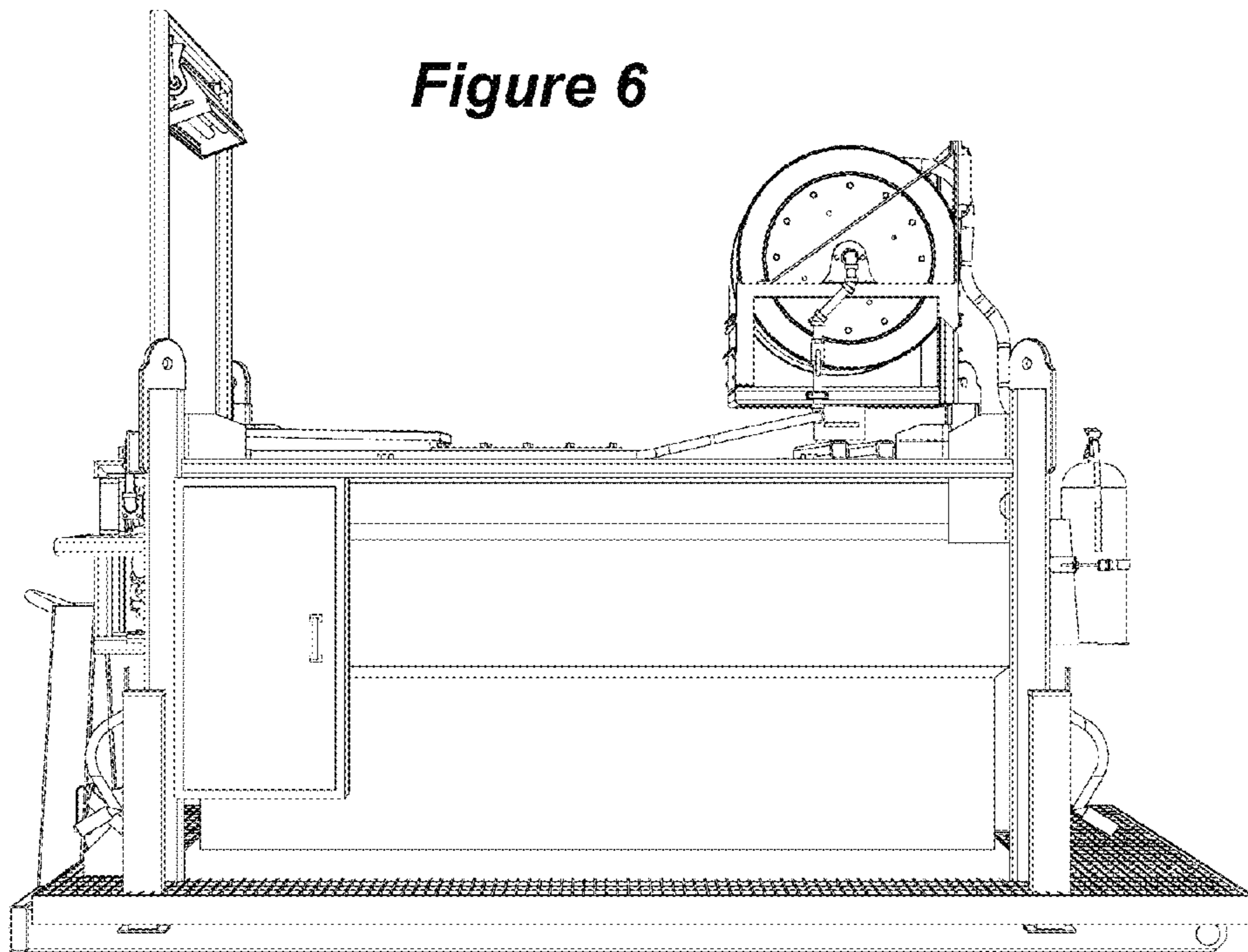
**Figure 4**



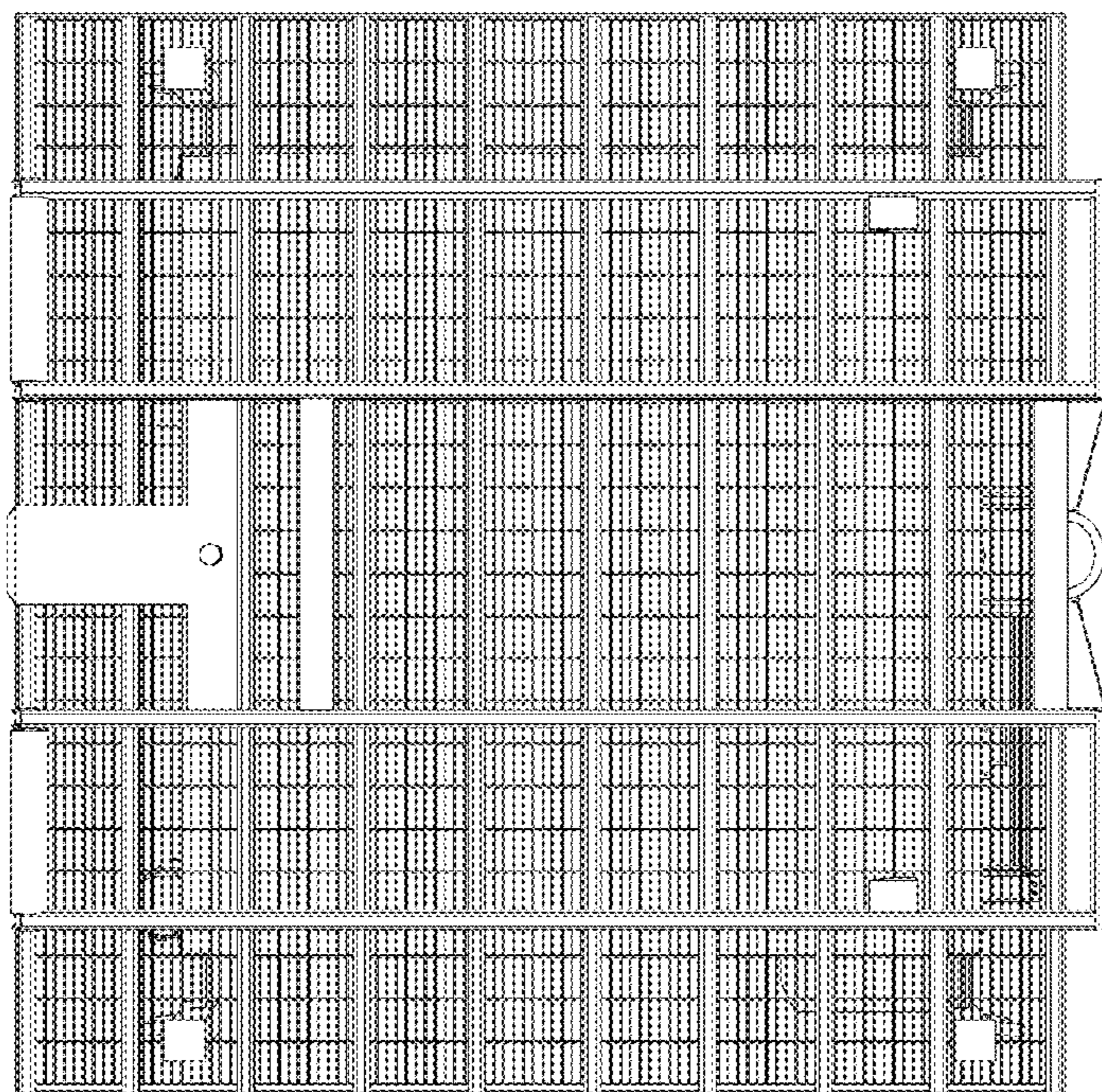
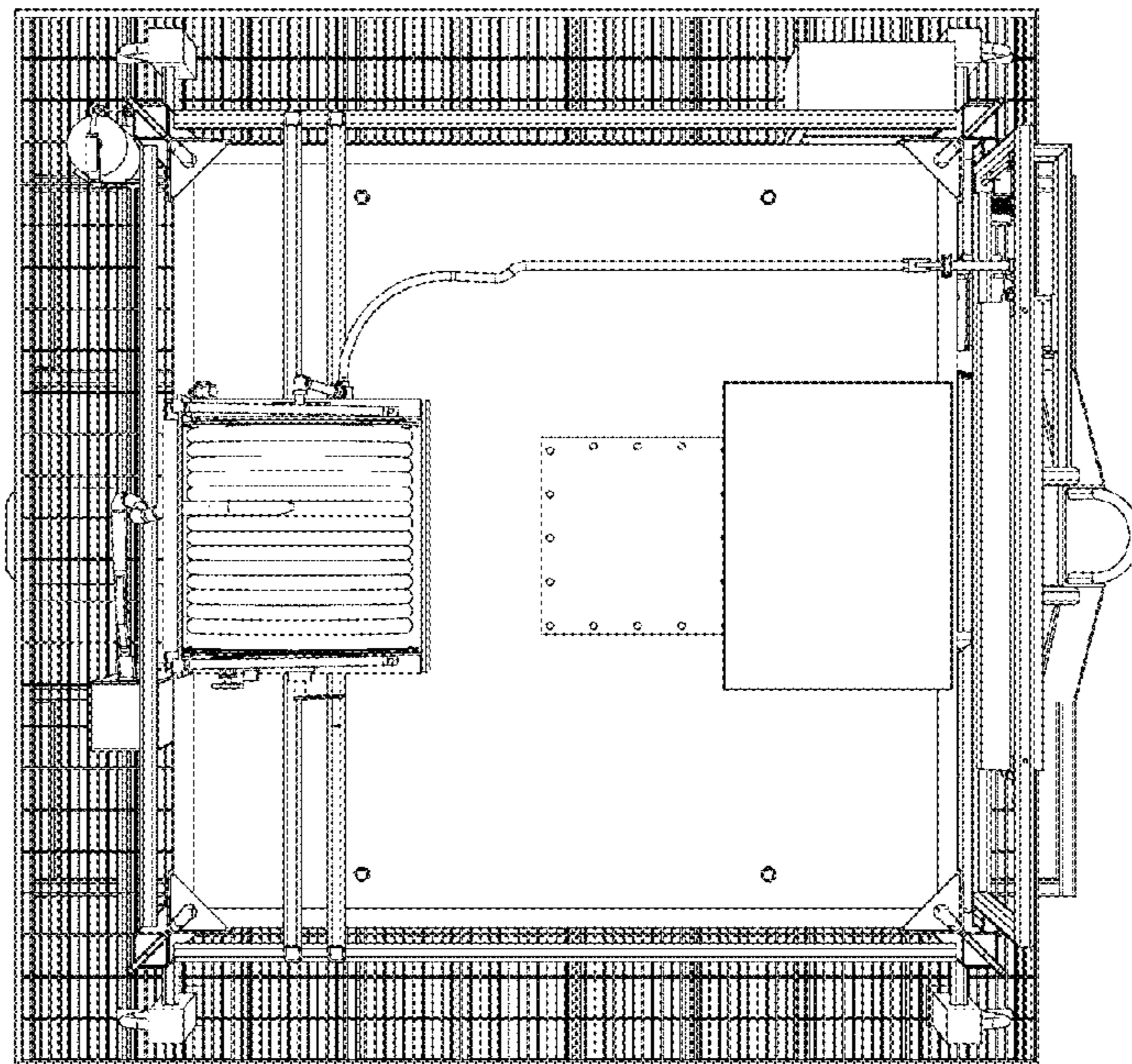
**Figure 5**



**Figure 6**



**Figure 7**



**Figure 8**