

US00D760827S

(12) **United States Design Patent**  
**May et al.**

(10) **Patent No.:** **US D760,827 S**  
(45) **Date of Patent:** **\*\* Jul. 5, 2016**

(54) **SPOOL MOUNT FOR CLIPPERS ON A ROTATING TABLE**

(71) Applicant: **Tipper Tie, Inc.**, Apex, NC (US)

(72) Inventors: **Dennis J. May**, Pittsboro, NC (US);  
**Kuo-Raid Grant Chen**, Cary, NC (US)

(73) Assignee: **Tipper Tie, Inc.**, Apex, NC (US)

(\*\*) Term: **15 Years**

(21) Appl. No.: **29/533,594**

(22) Filed: **Jul. 20, 2015**

**Related U.S. Application Data**

(62) Division of application No. 29/462,861, filed on Aug. 9, 2013, now Pat. No. Des. 737,352.

(51) **LOC (10) Cl.** ..... **15-09**

(52) **U.S. Cl.**  
USPC ..... **D15/145**

(58) **Field of Classification Search**  
USPC ..... D8/349; D12/223; D15/145  
See application file for complete search history.

(56) **References Cited**

**U.S. PATENT DOCUMENTS**

2,904,277 A	9/1959	Underwood
3,738,590 A	6/1973	Granati
3,795,085 A	3/1974	Andre et al.
4,189,897 A	2/1980	Ailey et al.
4,418,447 A	12/1983	Ziolko
4,422,223 A	12/1983	Haines
4,463,477 A	8/1984	Ziolko
4,464,820 A	8/1984	Haines
4,469,360 A	9/1984	Drury

4,821,485 A	4/1989	Evans et al.
4,865,261 A	9/1989	Bare et al.
5,020,298 A	6/1991	Evans et al.
5,218,750 A	6/1993	Hannula et al.
5,259,168 A	11/1993	Evans et al.
D347,013 S	5/1994	Taguchi et al.
5,471,815 A	12/1995	Evans et al.
5,644,896 A	7/1997	Evans et al.
D381,833 S	8/1997	Farndon
8,006,463 B2	8/2011	May et al.
8,746,432 B2	6/2014	May et al.
D737,352 S *	8/2015	May ..... D15/145

\* cited by examiner

*Primary Examiner* — Patricia Palasik

(74) *Attorney, Agent, or Firm* — Myers Bigel & Sibley, P.A.

(57) **CLAIM**

The ornamental design for a spool mount for clippers on a rotating table, as shown and described.

**DESCRIPTION**

FIG. 1 is a top, rear end perspective view of the spool mount for clippers on a rotating table showing our design (the bottom view is disclaimed);

FIG. 2 is a top, opposing front end perspective view thereof; FIG. 3 is a side view thereof, the opposing side view being the same;

FIG. 4 is a front end view thereof;

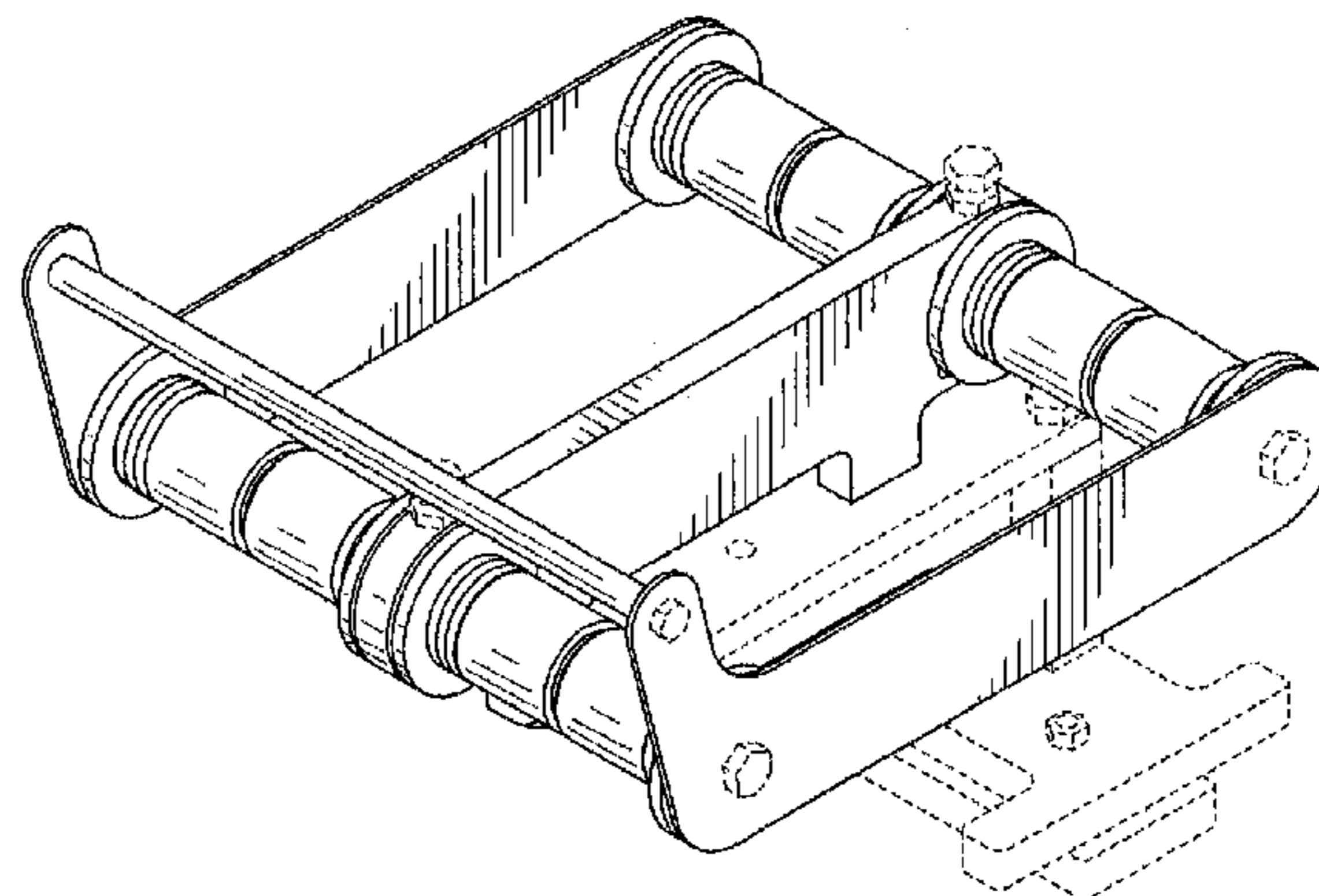
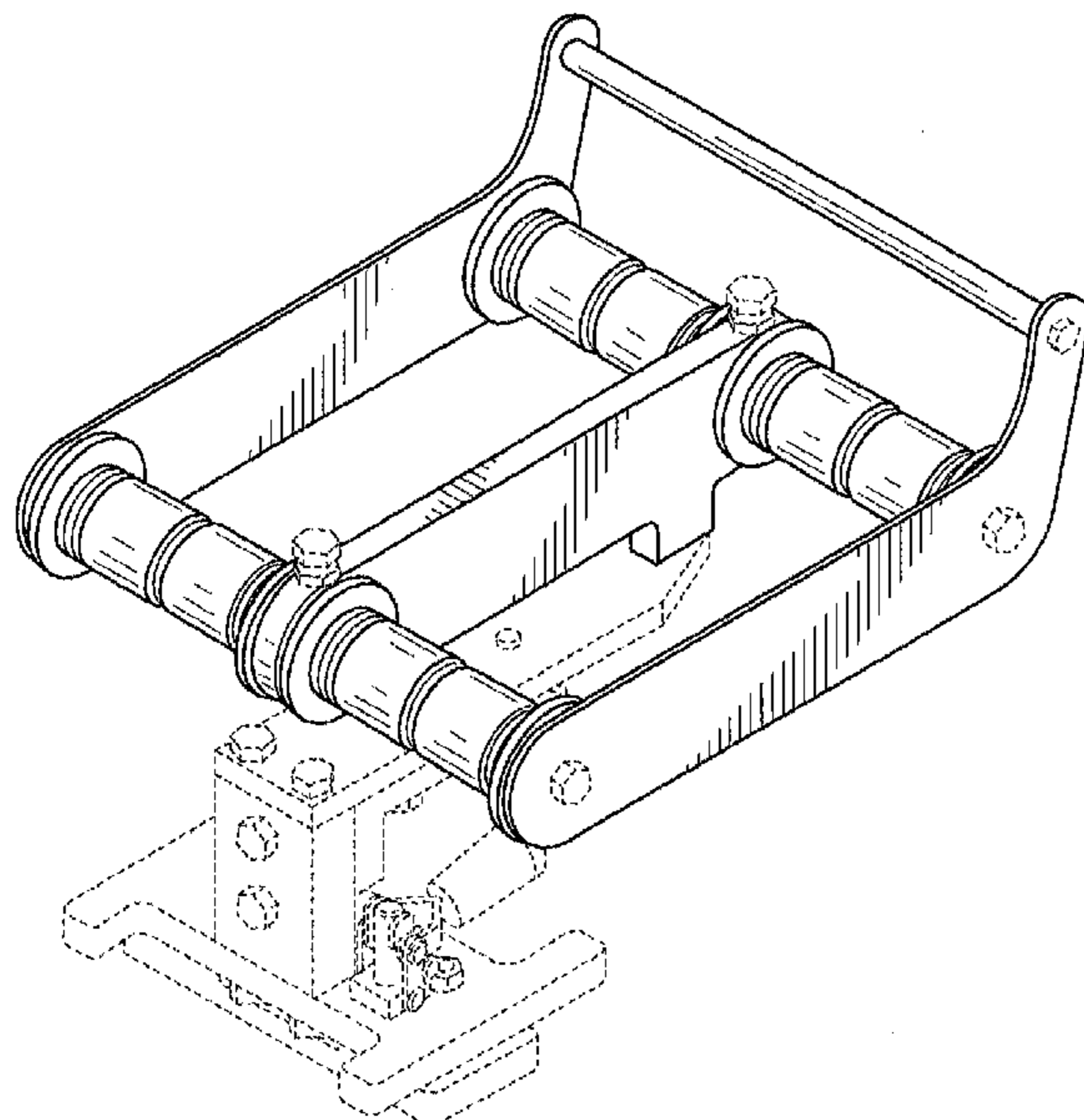
FIG. 5 is a top view thereof;

FIG. 6 is a rear end view thereof; and,

FIG. 7 is an exemplary environmental view illustrating the spool mount in an exemplary position on a rotating table and holding spools of clips to feed clips to a clipper.

The broken lines shown herein are for illustrative purposes only and form no part of the claimed design.

**1 Claim, 4 Drawing Sheets**



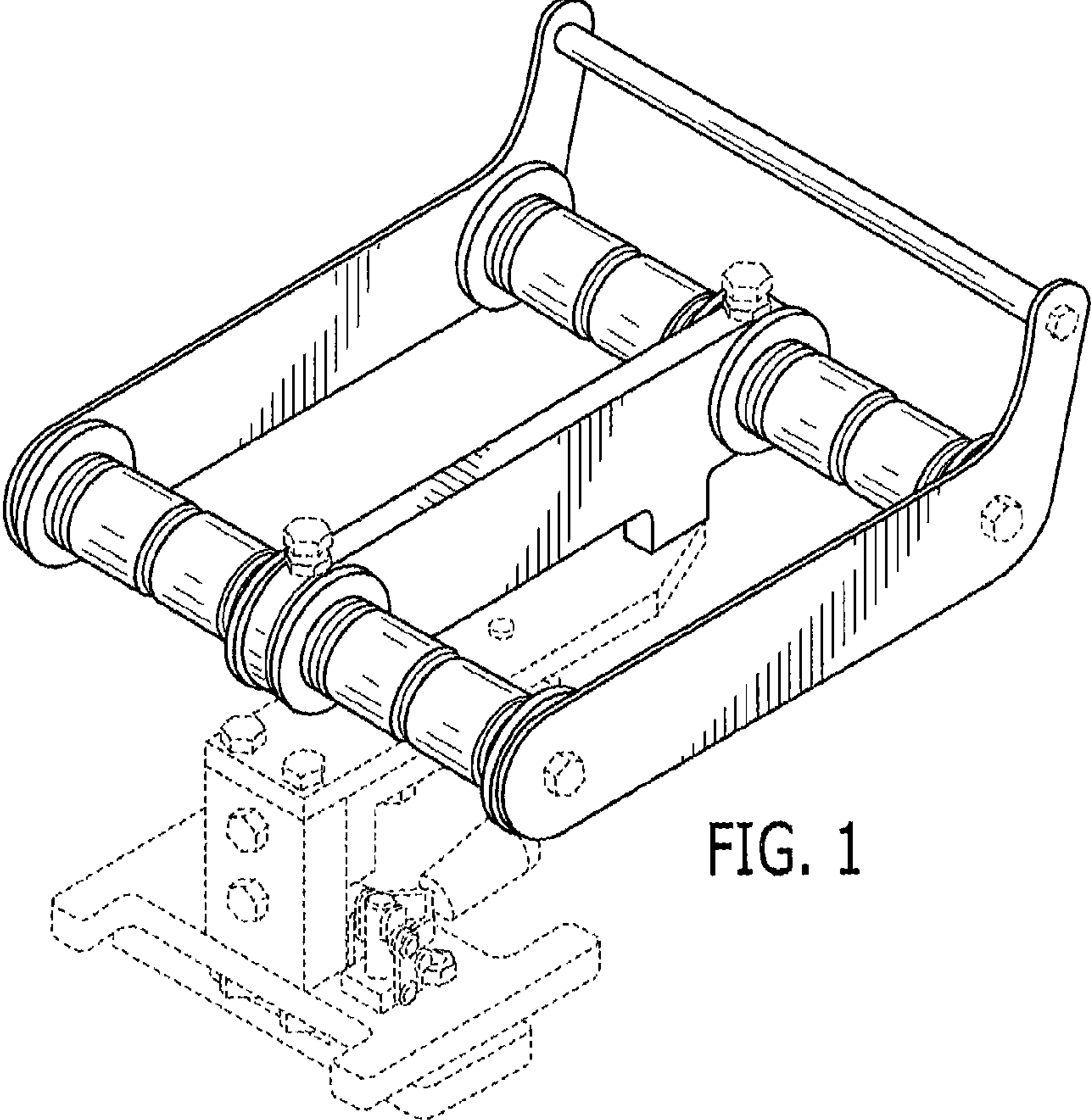


FIG. 1

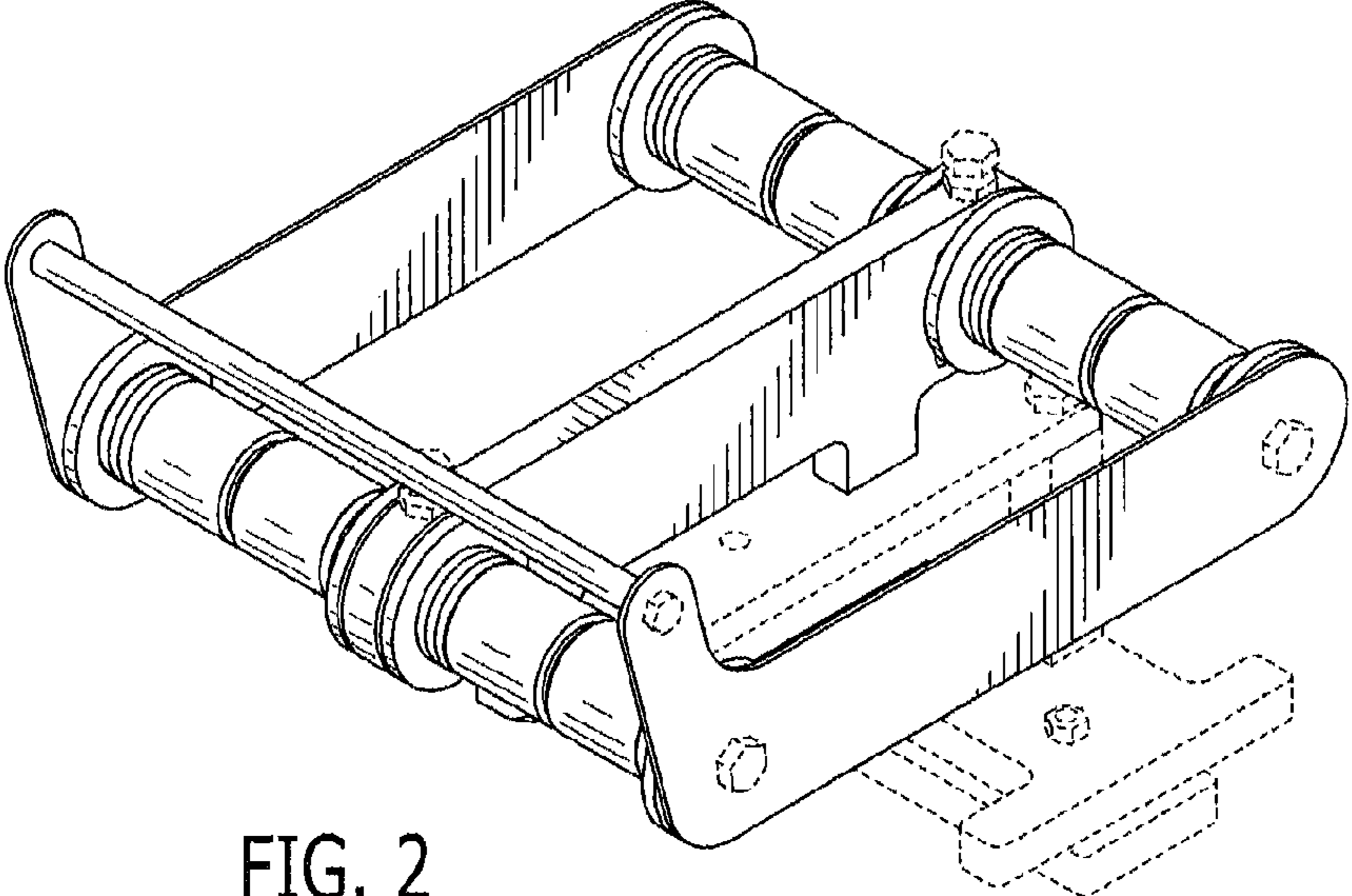


FIG. 2

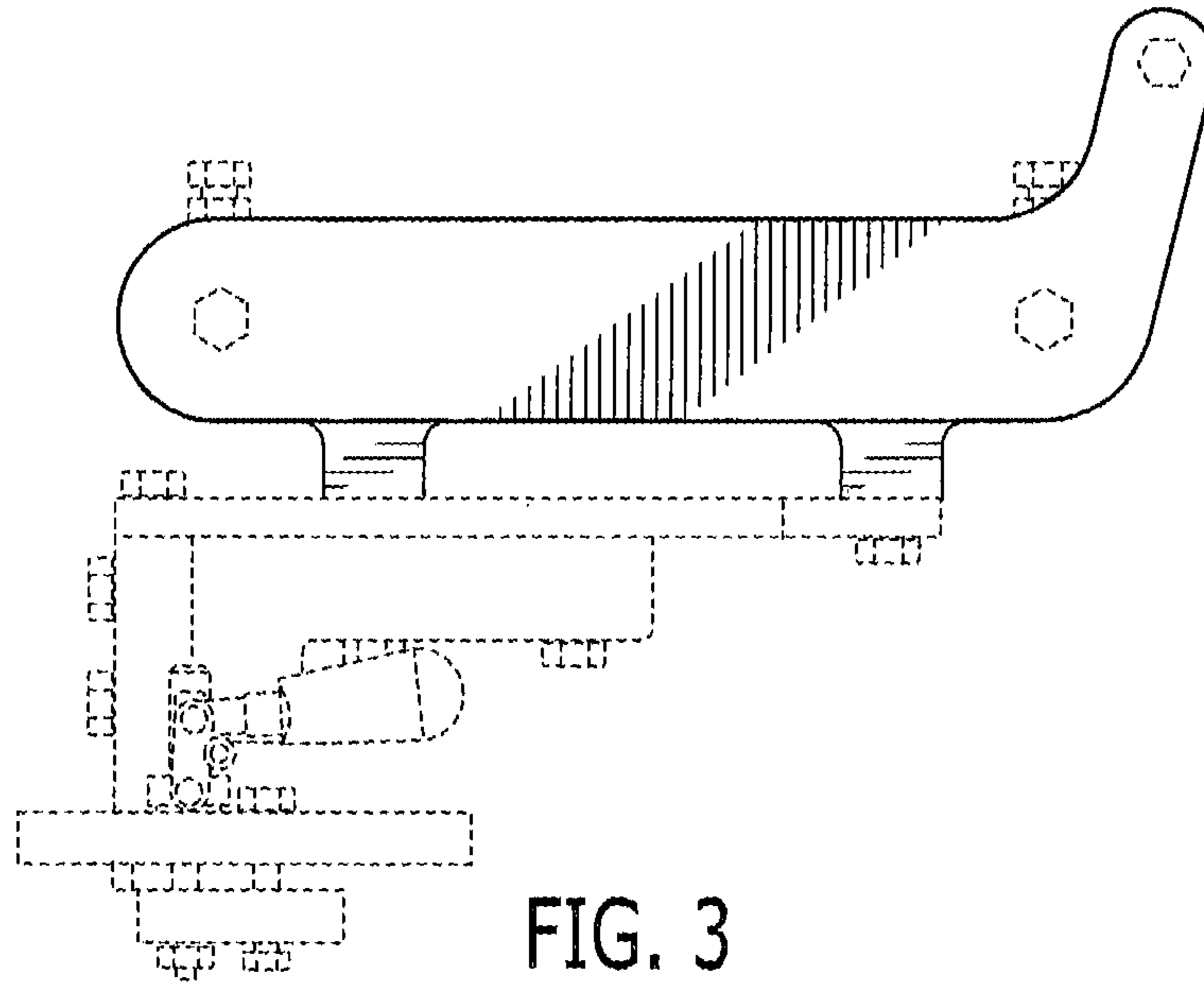


FIG. 3

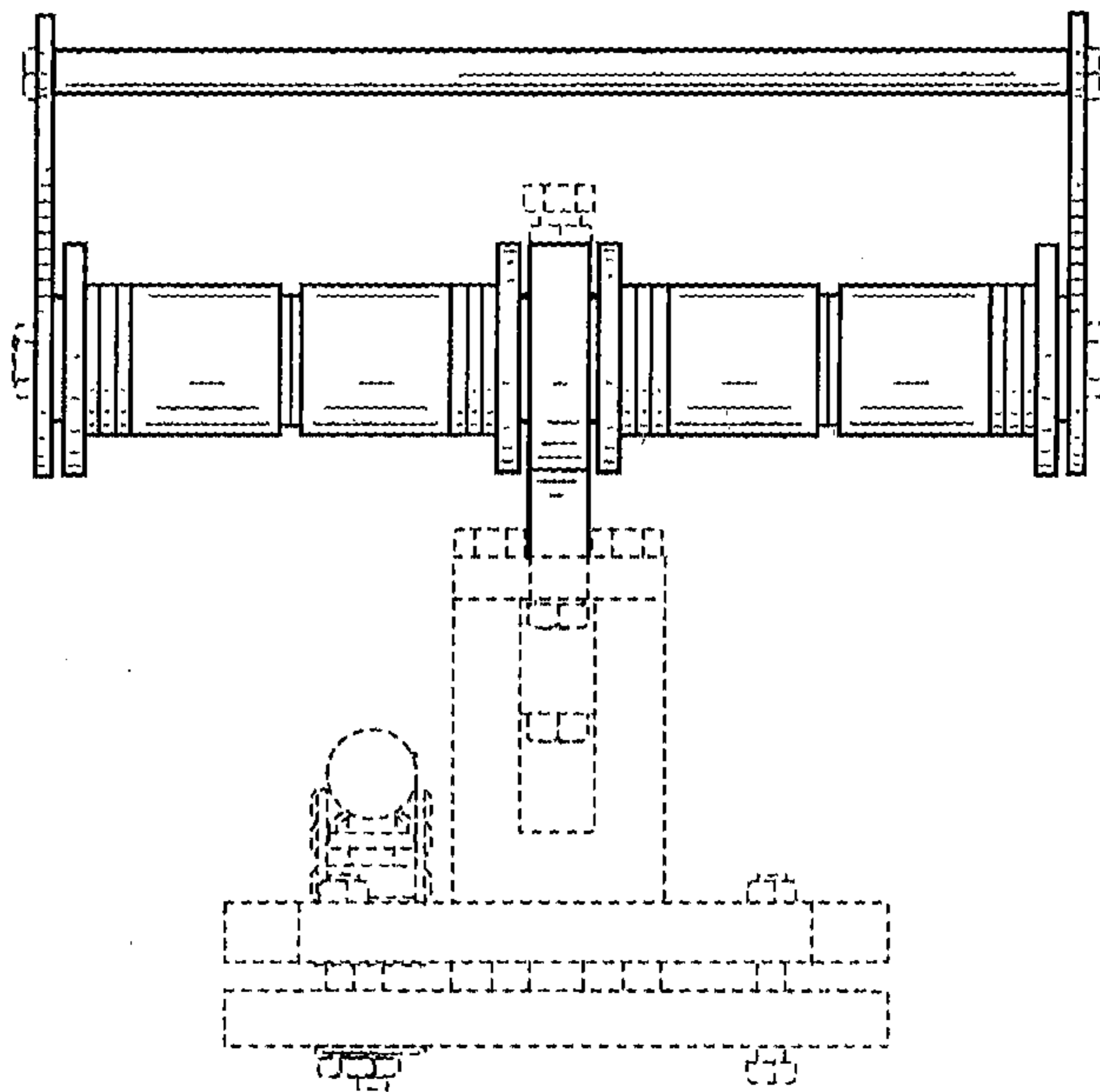


FIG. 4

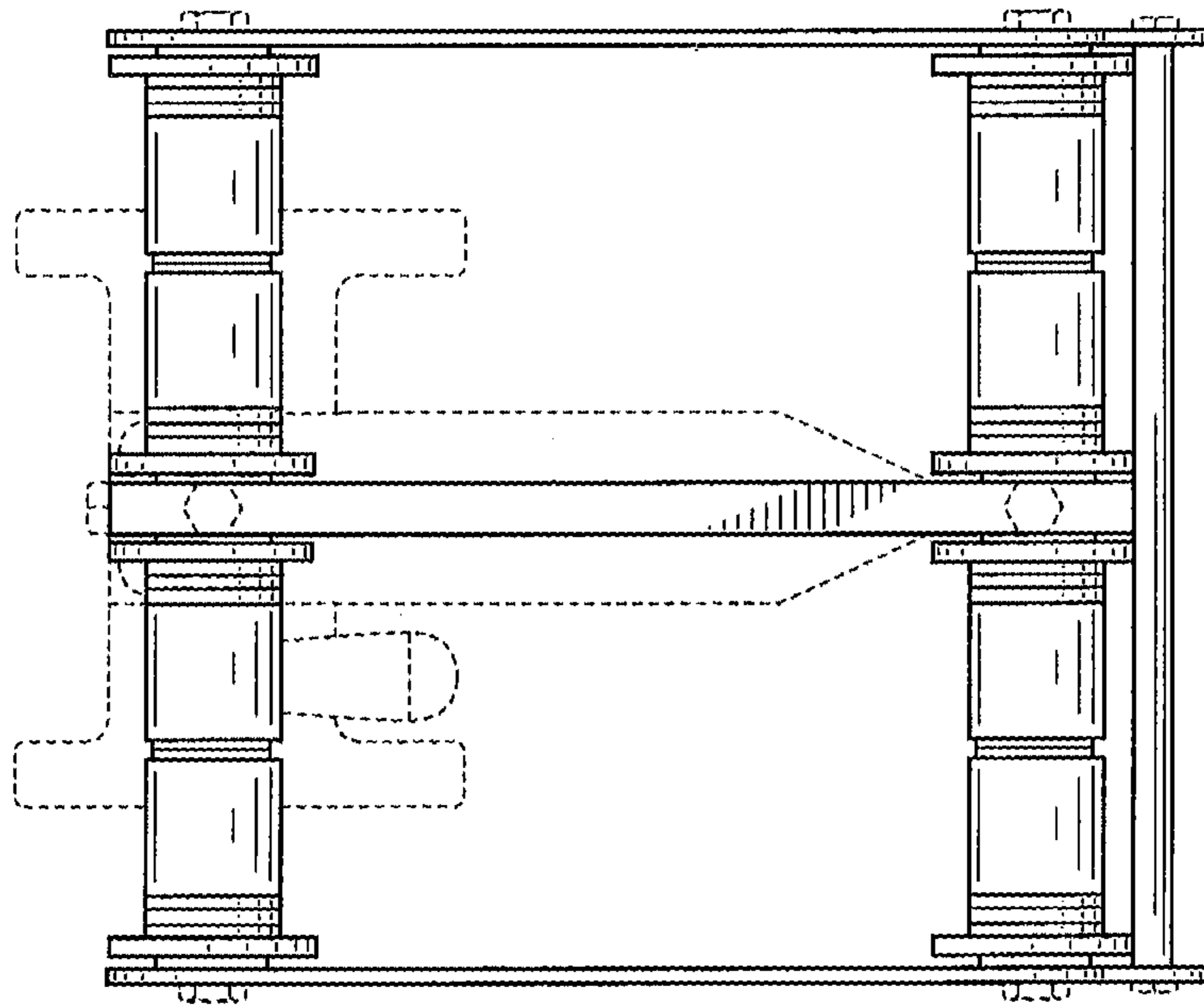


FIG. 5

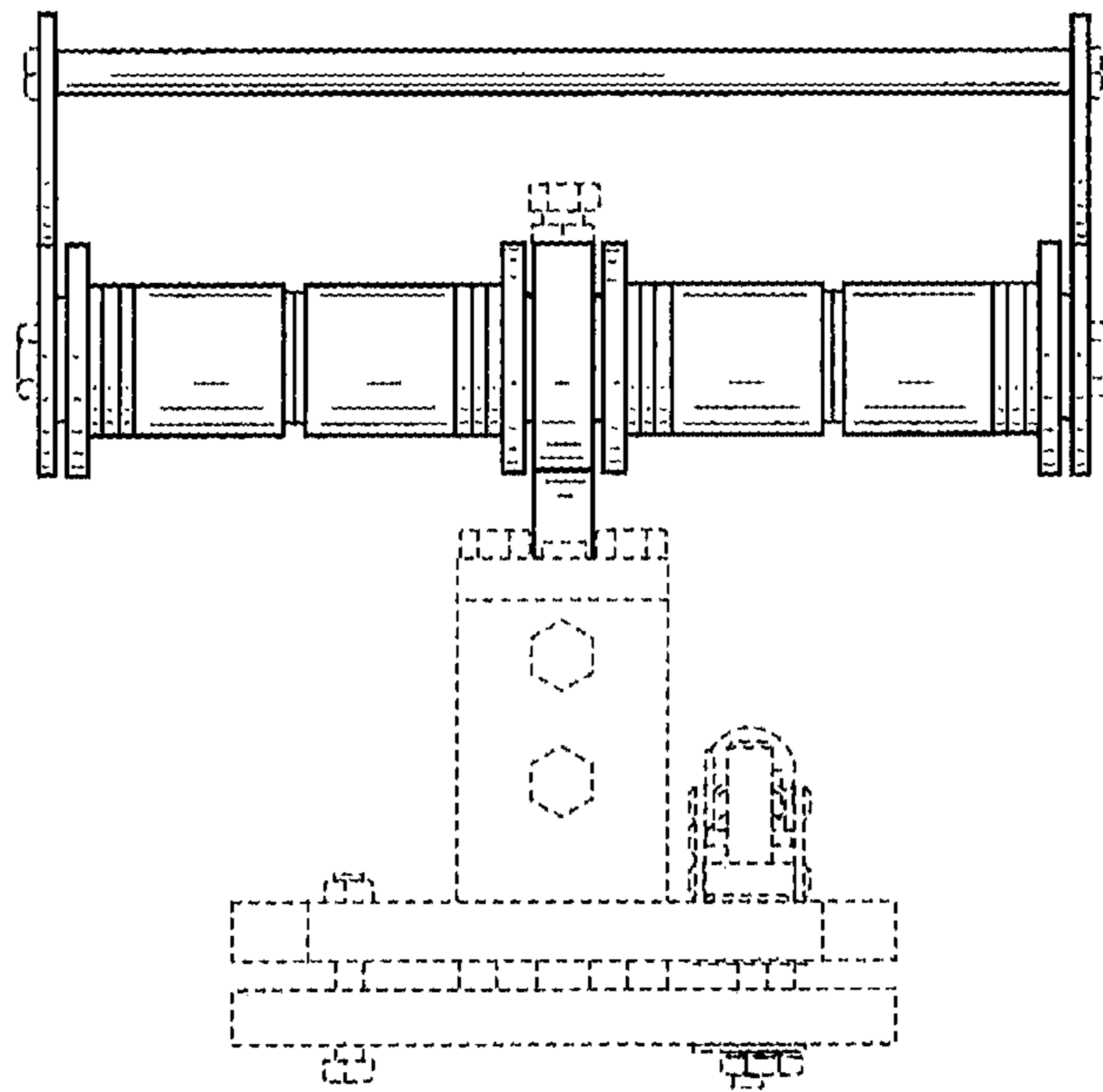


FIG. 6

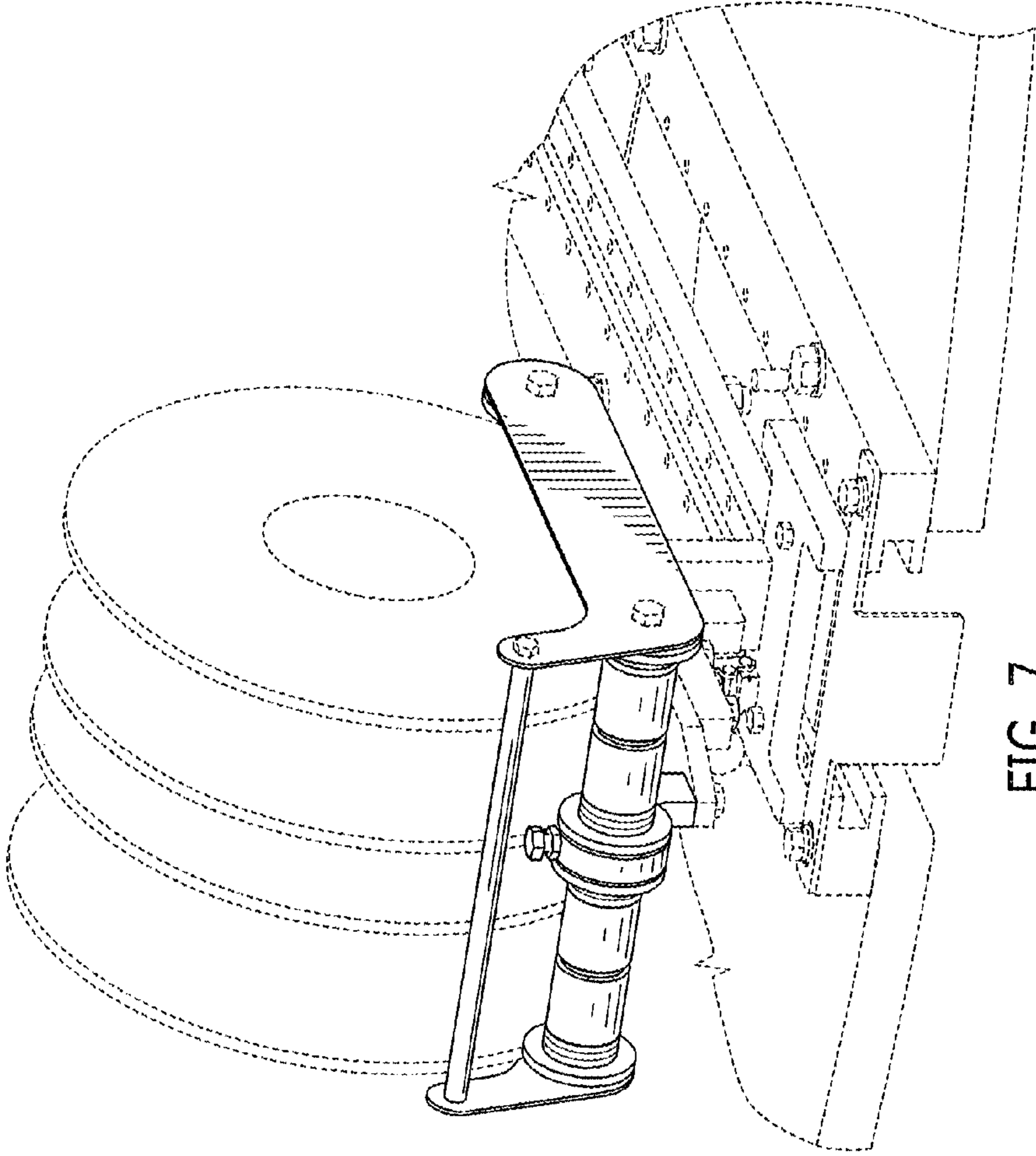


FIG. 7