

US00D760826S

(12) **United States Design Patent**  
**Nakamura et al.**

(10) **Patent No.:** **US D760,826 S**  
(45) **Date of Patent:** **\*\* Jul. 5, 2016**

(54) **GEAR CUTTING TOOL**  
(71) Applicant: **MITSUBISHI HEAVY INDUSTRIES**  
**MACHINE TOOL CO., LTD.,**  
Ritto-shi, Shiga (JP)

(72) Inventors: **Yozo Nakamura**, Tokyo (JP);  
**Toshimasa Kikuchi**, Tokyo (JP)

(73) Assignee: **MITSUBISHI HEAVY INDUSTRIES**  
**MACHINE TOOL CO., LTD.,** Shiga  
(JP)

(\*\*) Term: **15 Years**

(21) Appl. No.: **29/530,350**

(22) Filed: **Jun. 16, 2015**

(30) **Foreign Application Priority Data**

Apr. 20, 2015 (JP) ..... 2015-008823

(51) **LOC (10) Cl.** ..... **15-09**

(52) **U.S. Cl.**  
USPC ..... **D15/139**

(58) **Field of Classification Search**  
USPC ..... D15/131, 138, 139, 140  
See application file for complete search history.

(56) **References Cited**

**U.S. PATENT DOCUMENTS**

1,996,987	A *	4/1935	Wildhaber	.....	B23F 21/16 407/26
2,126,178	A *	8/1938	Drummond	.....	B23F 21/28 407/27
2,380,208	A *	7/1945	Ashton	.....	B23F 19/06 409/33
D359,968	S *	7/1995	Ekblad	.....	D15/139
D372,253	S *	7/1996	Huffstutler	.....	D15/139
D400,547	S *	11/1998	Albrektsson	.....	D15/139
D404,044	S *	1/1999	Arfele	.....	D15/139
D519,533	S *	4/2006	Frey	.....	D15/139

D522,544	S *	6/2006	Frey	.....	D15/139
D525,995	S *	8/2006	Bjork	.....	D15/139
D535,400	S *	1/2007	May	.....	D15/139
D574,957	S *	8/2008	Petersen	.....	D15/139
D606,569	S *	12/2009	Ford	.....	D15/139
D630,233	S *	1/2011	Ford	.....	D15/123
D649,989	S *	12/2011	Dunlap	.....	D15/139
2002/0081161	A1 *	6/2002	Yamada	.....	B23F 21/16 407/20

(Continued)

**OTHER PUBLICATIONS**

Mitsubishi Heavy Industries, Ltd., "Press Release about Gear Cutting Tool," available at <http://www.mhi-global.com/news/story/1410201843.html>, Oct. 20, 2014, 2 pages.

*Primary Examiner* — Patricia Palasik

(74) *Attorney, Agent, or Firm* — Birch, Stewart, Kolasch & Birch, LLP

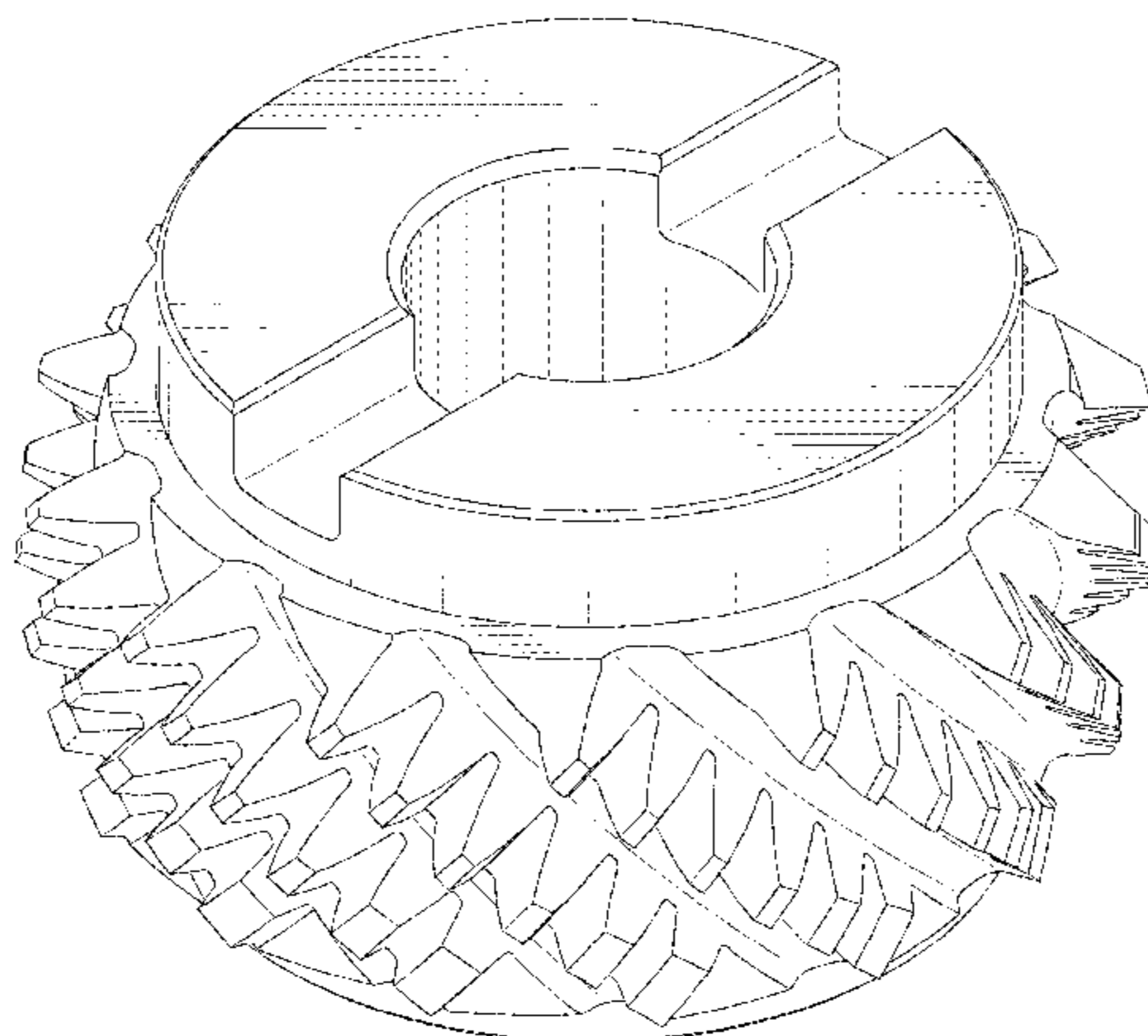
(57) **CLAIM**

The ornamental design for a gear cutting tool, as shown and described.

**DESCRIPTION**

FIG. 1 is a perspective view of a gear cutting tool.  
 FIG. 2 is a front elevation view thereof. A rear elevation view is identical to the front elevation view.  
 FIG. 3 is a left side elevation view thereof. A right side elevation view is identical to the left side elevation view.  
 FIG. 4 is a top plan view thereof.  
 FIG. 5 is a bottom plan view thereof.  
 FIG. 6 is a referential top plan view thereof indicating an enlarged part.  
 FIG. 7 is a referential bottom plan view thereof indicating an enlarged part.  
 FIG. 8 is an enlarged view of the portion 8' taken along the line 8-8 in FIG. 2.  
 FIG. 9 is an enlarged view of the portion 9 in FIG. 6; and,  
 FIG. 10 is an enlarged view of the portion 10 in FIG. 7.

**1 Claim, 10 Drawing Sheets**



# US D760,826 S

Page 2

---

(56)

## References Cited

### U.S. PATENT DOCUMENTS

2006/0134466 A1*	6/2006	Aoki .....	B23F 21/16 428/698	2014/0100574 A1*	4/2014	Bono .....	A61B 17/32002 606/80
2013/0091970 A1*	4/2013	O-oka .....	F16H 55/08 74/458	2014/0140781 A1*	5/2014	Sjoo .....	B23F 21/146 408/8
				2015/0147127 A1*	5/2015	Shpigelman .....	B23C 5/10 407/54

\* cited by examiner

FIG. 1

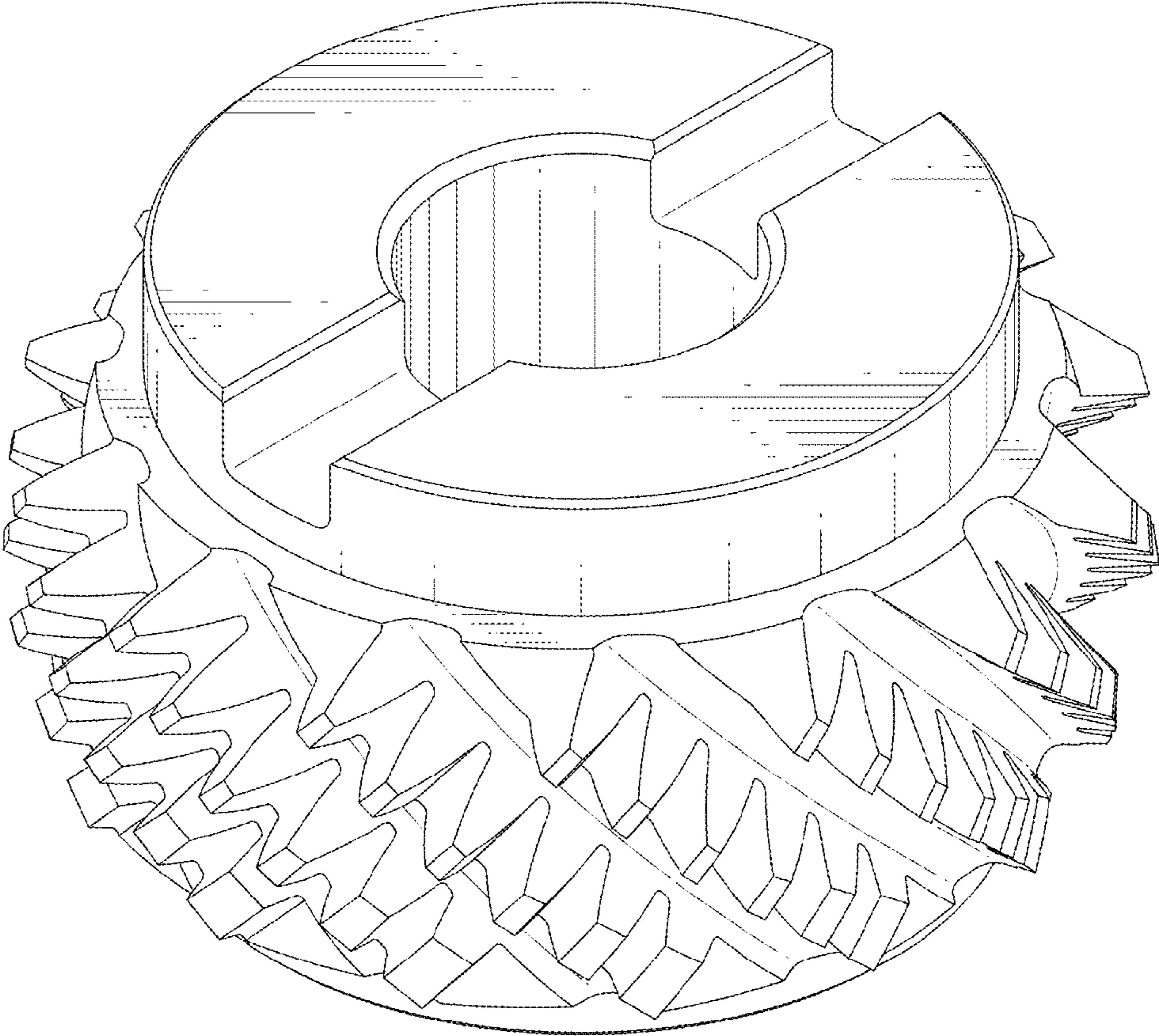


FIG. 2

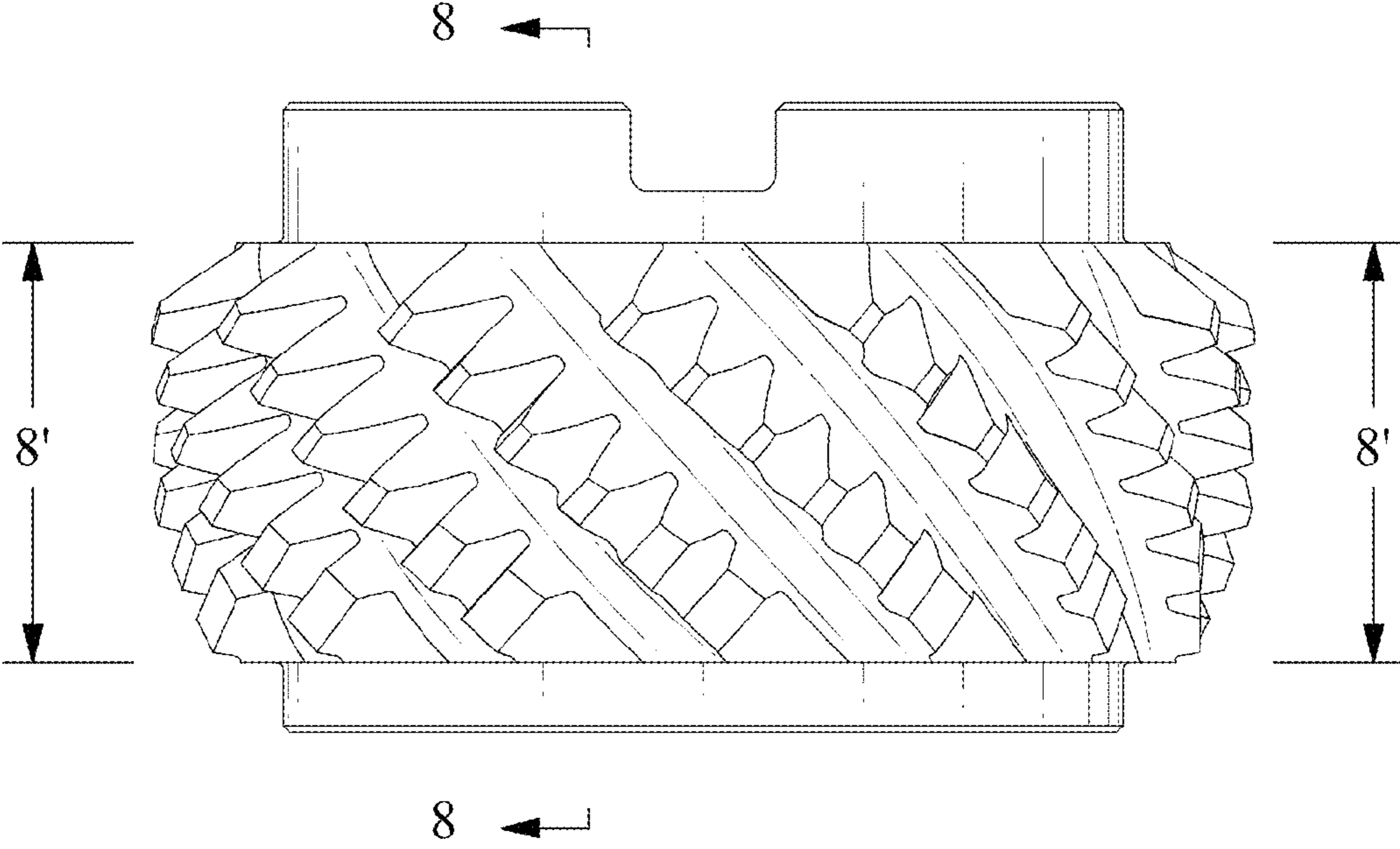


FIG. 3

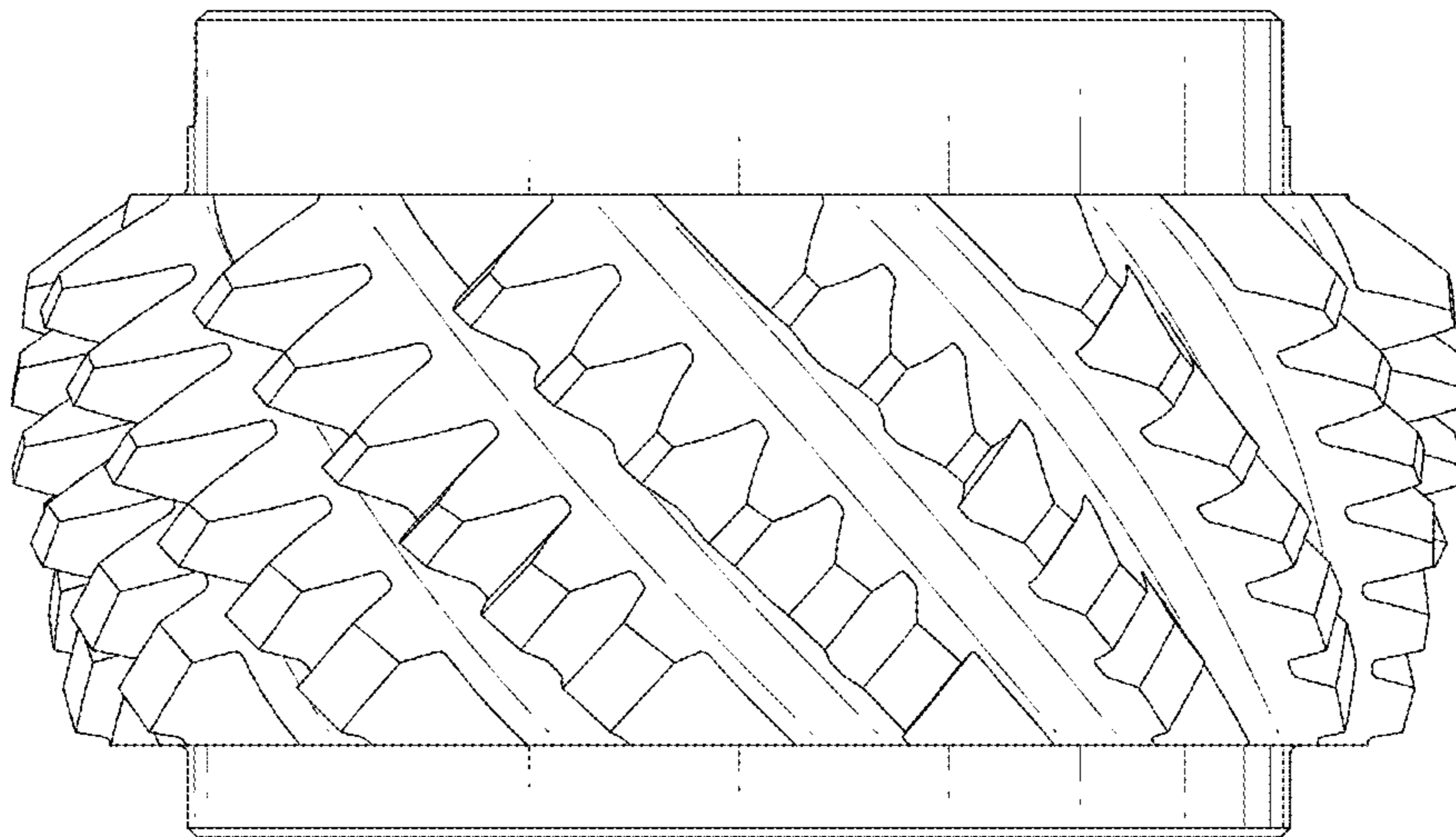


FIG. 4

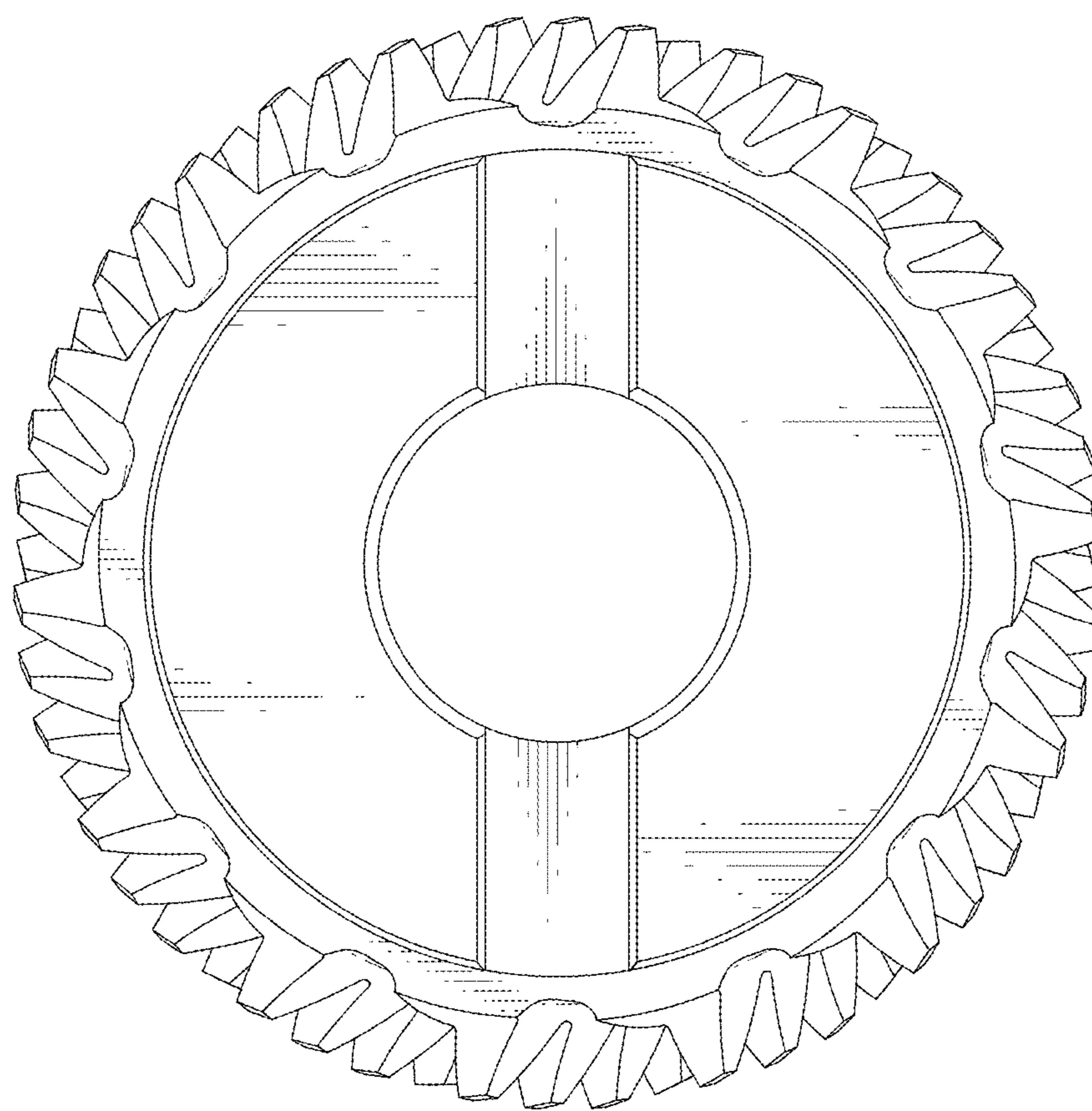


FIG. 5

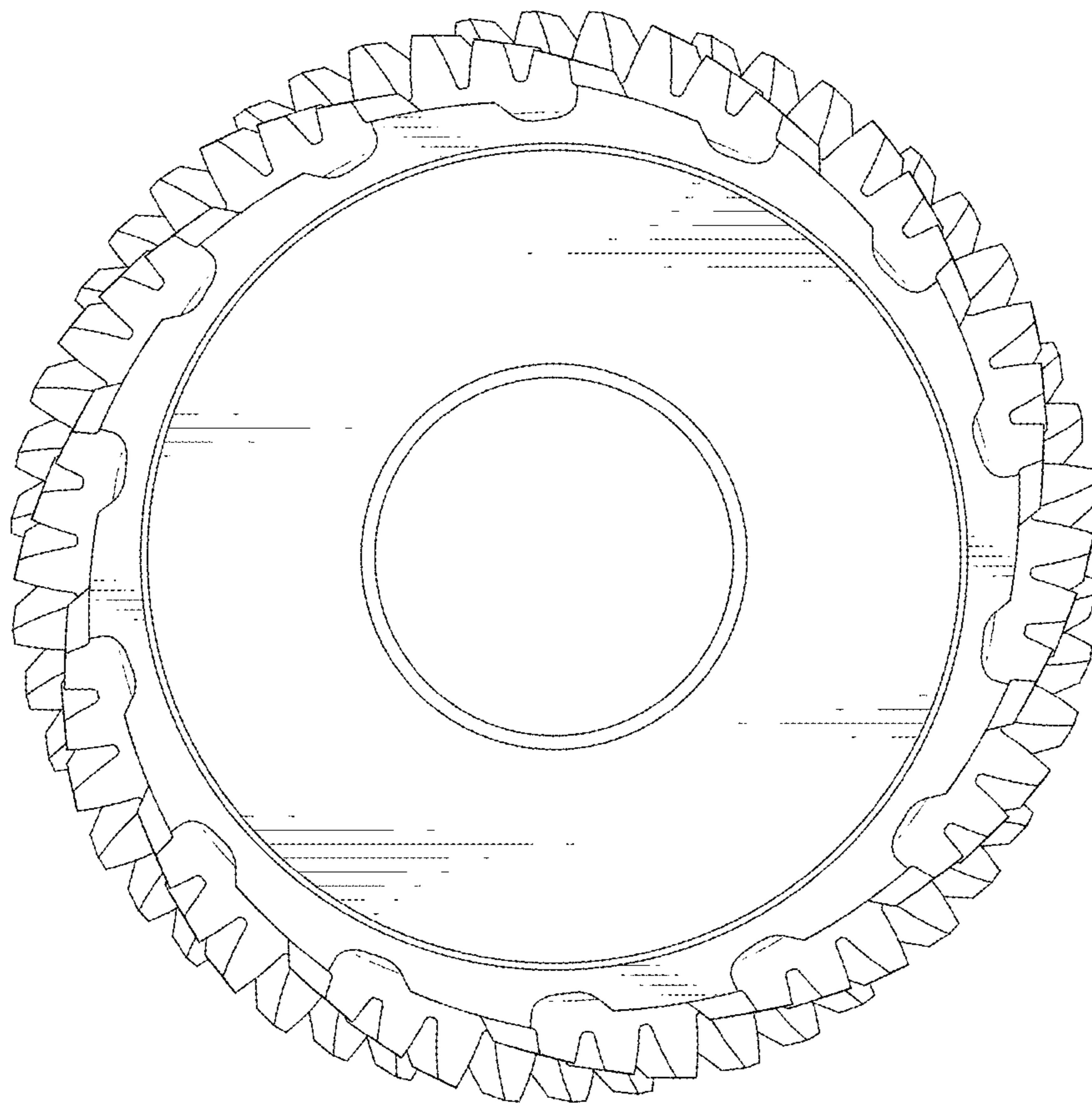


FIG. 6

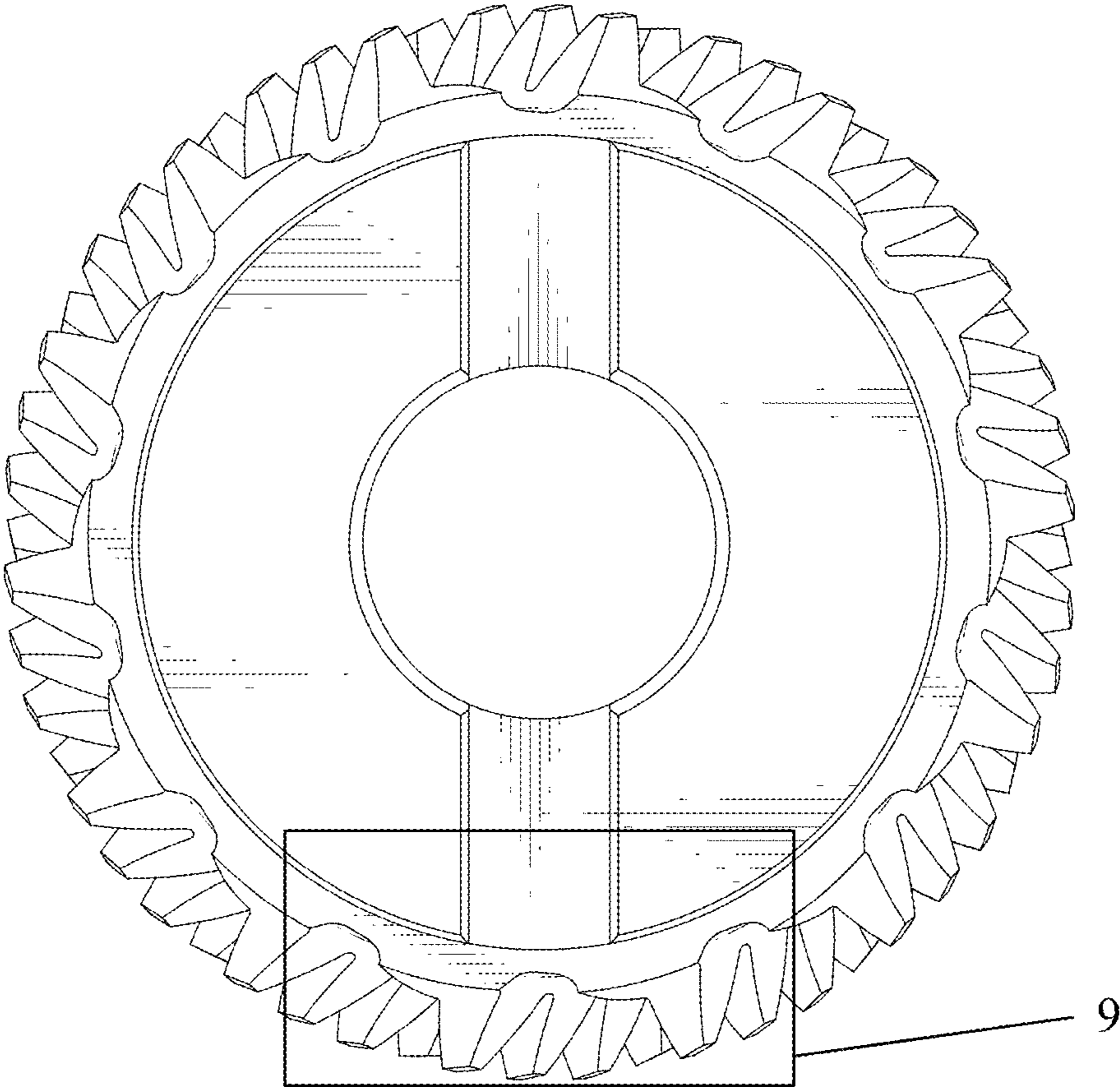




FIG. 7

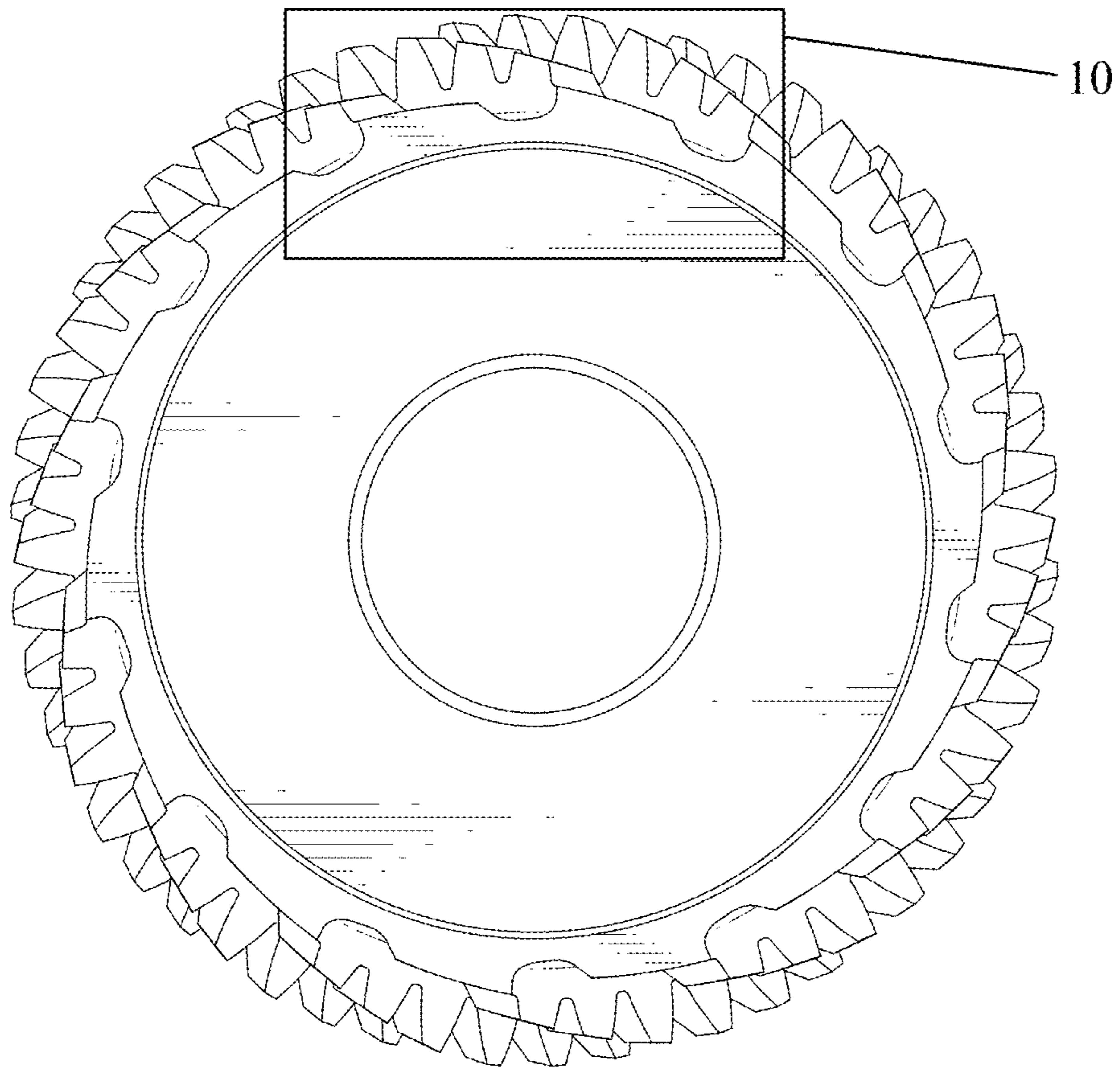


FIG. 8

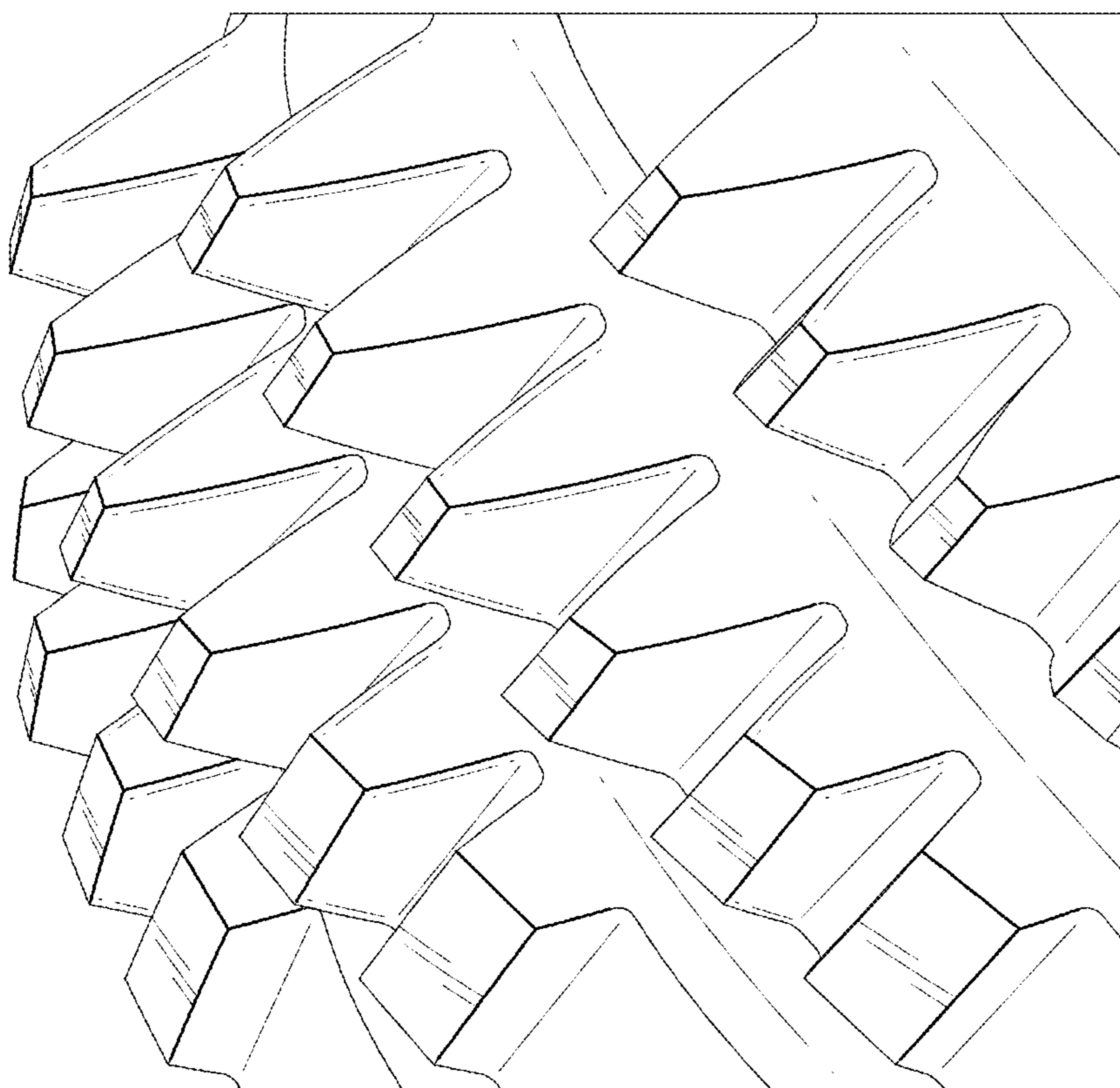


FIG. 9

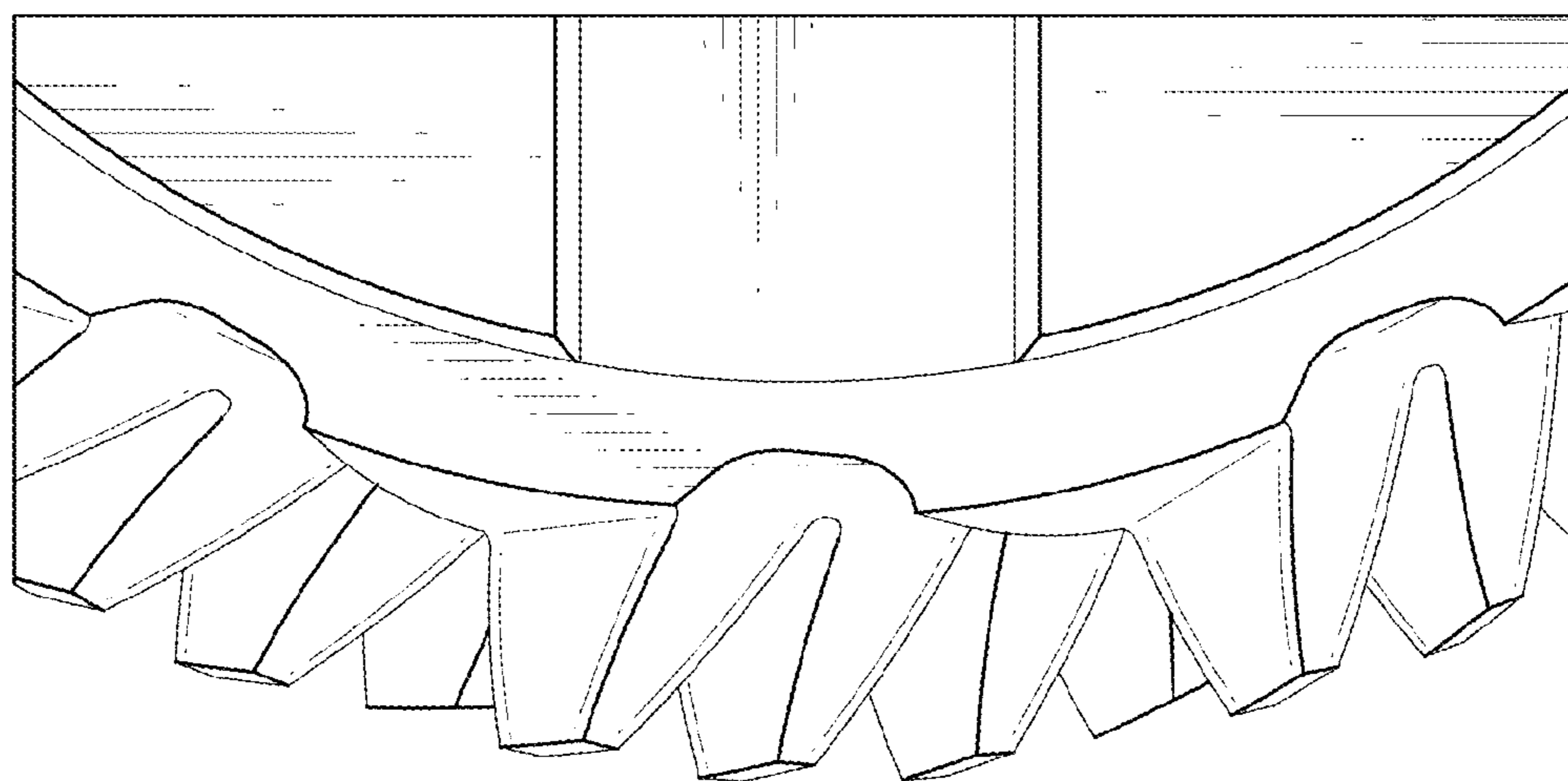


FIG. 10

