



US00D760823S

(12) **United States Design Patent**  
**Lee et al.**

(10) **Patent No.:** **US D760,823 S**  
(45) **Date of Patent:** **\*\* Jul. 5, 2016**

(54) **REFRIGERATOR**

(71) Applicant: **LG ELECTRONICS INC.**, Seoul (KR)

(72) Inventors: **Hangbok Lee**, Seoul (KR); **Hongsik Kwon**, Seoul (KR); **Minsub Kim**, Seoul (KR); **Jungkyu Son**, Seoul (KR); **Eugene Suh**, Seoul (KR); **Junyi Heo**, Seoul (KR)

(73) Assignee: **LG ELECTRONICS INC.**, Seoul (KR)

(\*\*) Term: **14 Years**

(21) Appl. No.: **29/522,064**

(22) Filed: **Mar. 27, 2015**

(30) **Foreign Application Priority Data**

Jan. 13, 2015 (KR) ..... 30-2015-0001564

(51) **LOC (10) Cl.** ..... **15-07**

(52) **U.S. Cl.**  
USPC ..... **D15/91**

(58) **Field of Classification Search**  
USPC ..... D15/79-91  
CPC ..... F25D 23/028; F25D 23/02; F25D 25/025;  
F25D 23/00; F25D 2323/021; F25D 11/00;  
F25D 2323/024; F25D 23/04; F25D 29/00;  
F25D 25/02; F25D 25/024; F25D 27/005;  
F25D 23/12; F25D 29/005; F25D 17/042;  
F25D 2325/021

See application file for complete search history.

(56) **References Cited**

**U.S. PATENT DOCUMENTS**

D707,735 S \* 6/2014 Cho ..... D15/91  
D730,958 S \* 6/2015 Choi ..... D15/91  
D738,941 S \* 9/2015 Shin ..... D15/91

D738,942 S \* 9/2015 Choi ..... D15/91  
D742,437 S \* 11/2015 Choi ..... D15/91  
D742,438 S \* 11/2015 Jeon ..... D15/91

\* cited by examiner

*Primary Examiner* — Daniel Bui

*Assistant Examiner* — Khawaja Anwar

(74) *Attorney, Agent, or Firm* — Birch, Stewart, Kolasch & Birch, LLP

(57) **CLAIM**

We claim the ornamental design for a refrigerator, as shown and described.

**DESCRIPTION**

FIG. 1 is a perspective view of a refrigerator showing our new design with its double door closed:

FIG. 2 is a front elevation view thereof;

FIG. 3 is a rear elevation view thereof;

FIG. 4 is a left-side elevation view thereof;

FIG. 5 is a right-side elevation view thereof;

FIG. 6 is a top plan view thereof;

FIG. 7 is a bottom plan view thereof;

FIG. 8 is a perspective view thereof, shown in an open condition;

FIG. 9 is a front elevation view thereof;

FIG. 10 is a right side elevation view thereof;

FIG. 11 is a top plan view thereof;

FIG. 12 is another perspective view thereof, shown in another open condition;

FIG. 13 is a front elevation view thereof;

FIG. 14 is a right side elevation view thereof;

FIG. 15 is a top plan view thereof; and,

FIG. 16 is another perspective view as seen in FIG. 1, shown in use condition.

The broken lines in the drawing figures are included for the purpose of illustrating environment and form no part of the claimed design.

**1 Claim, 15 Drawing Sheets**

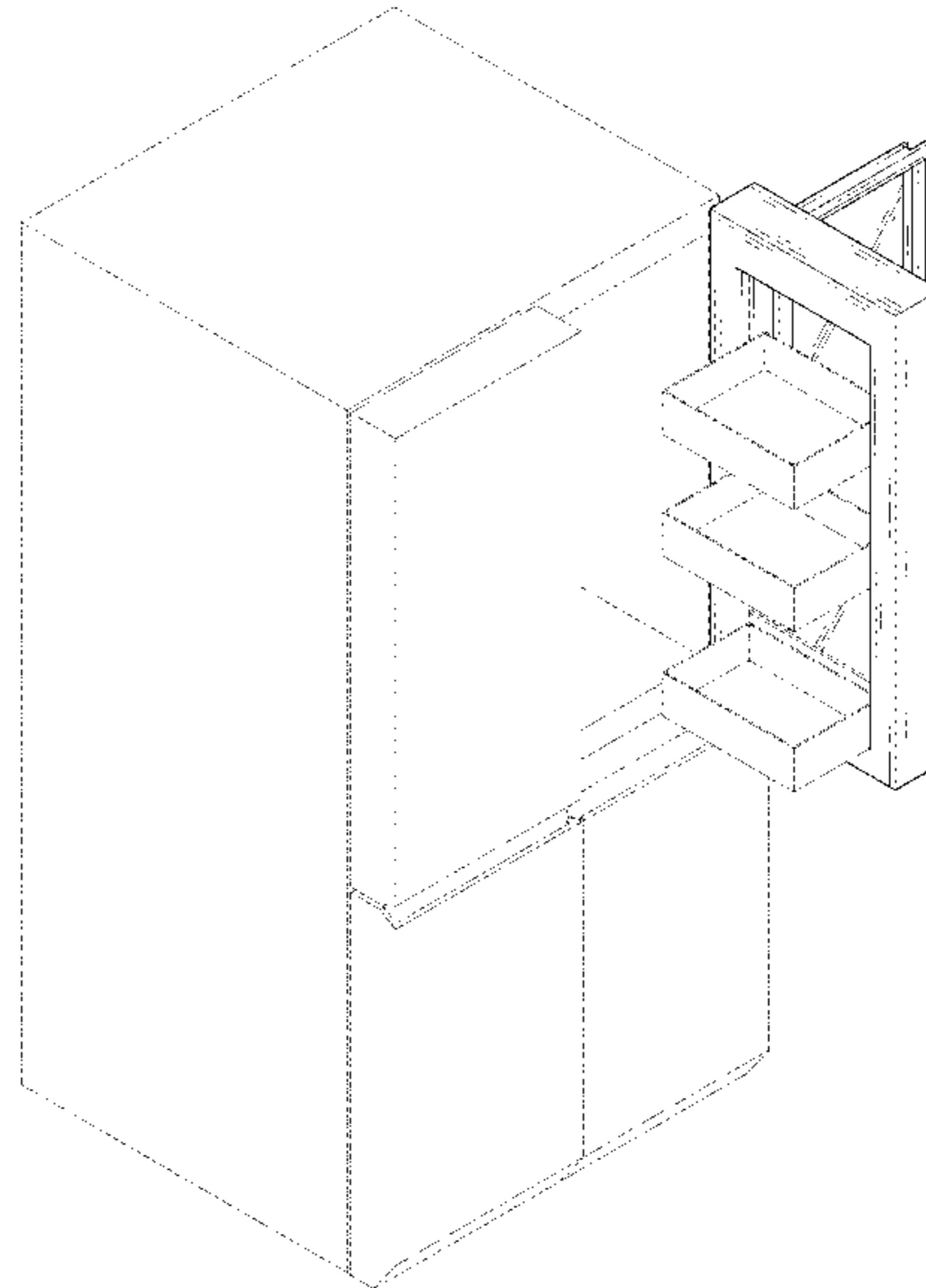
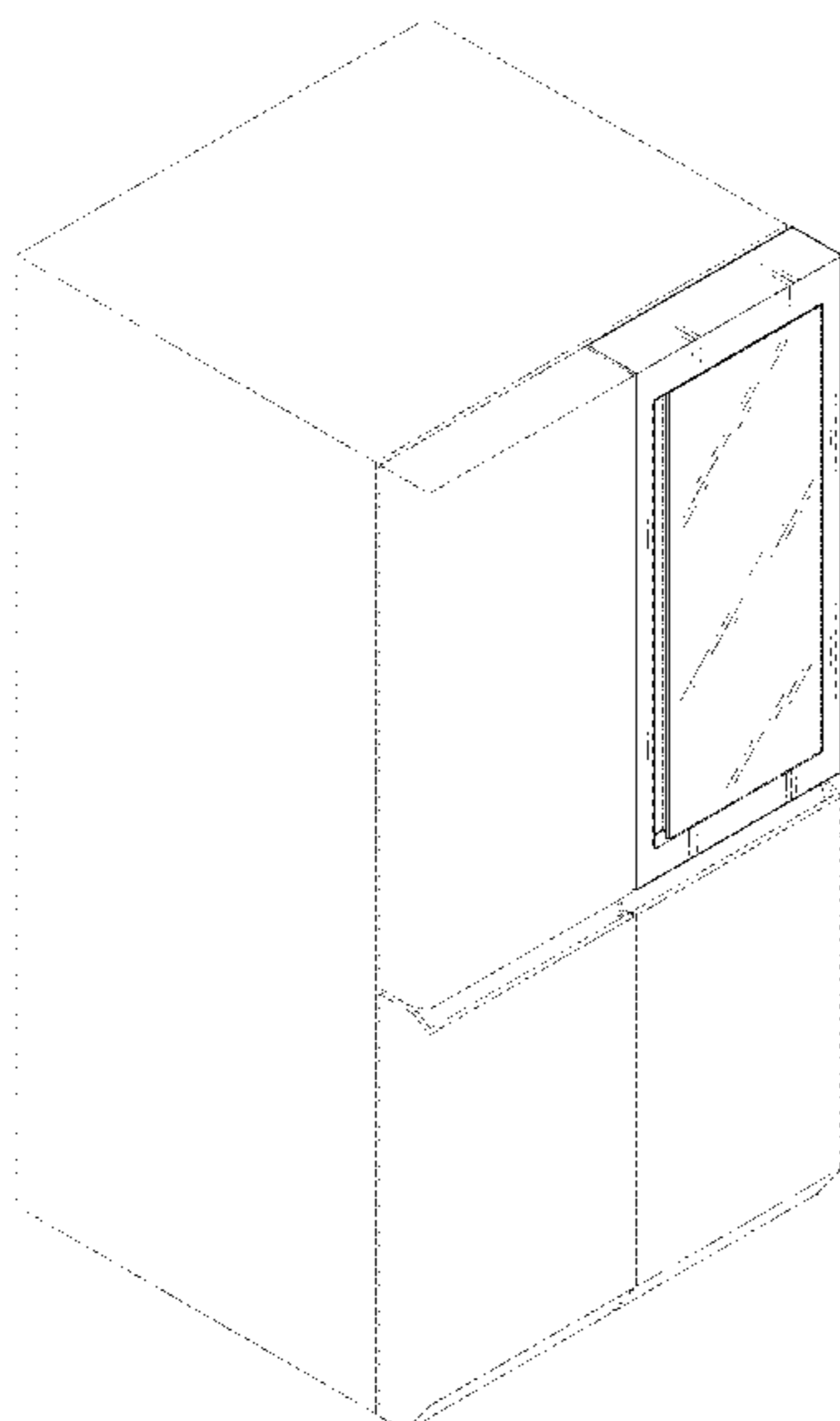


FIG. 1

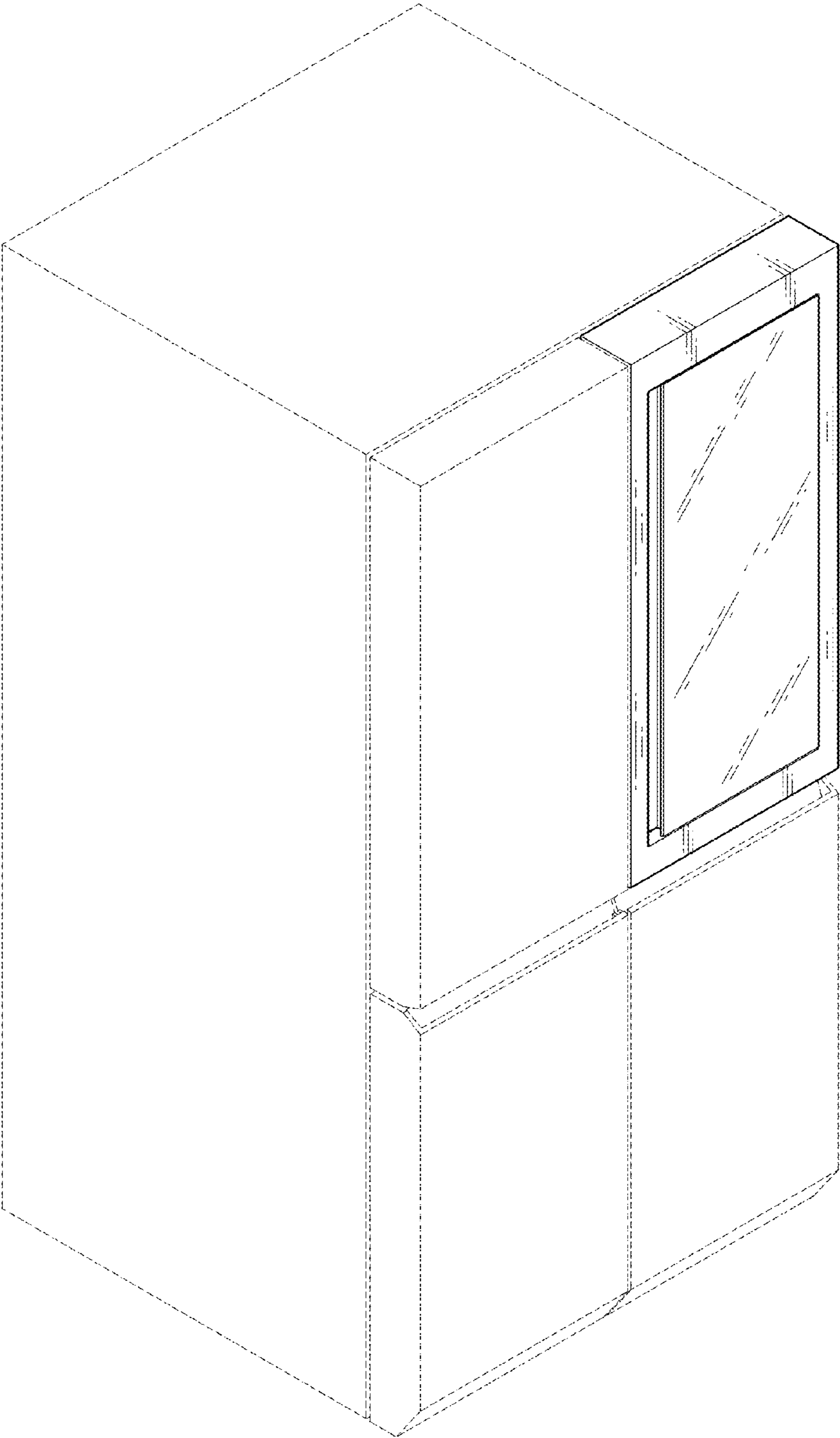


FIG. 2

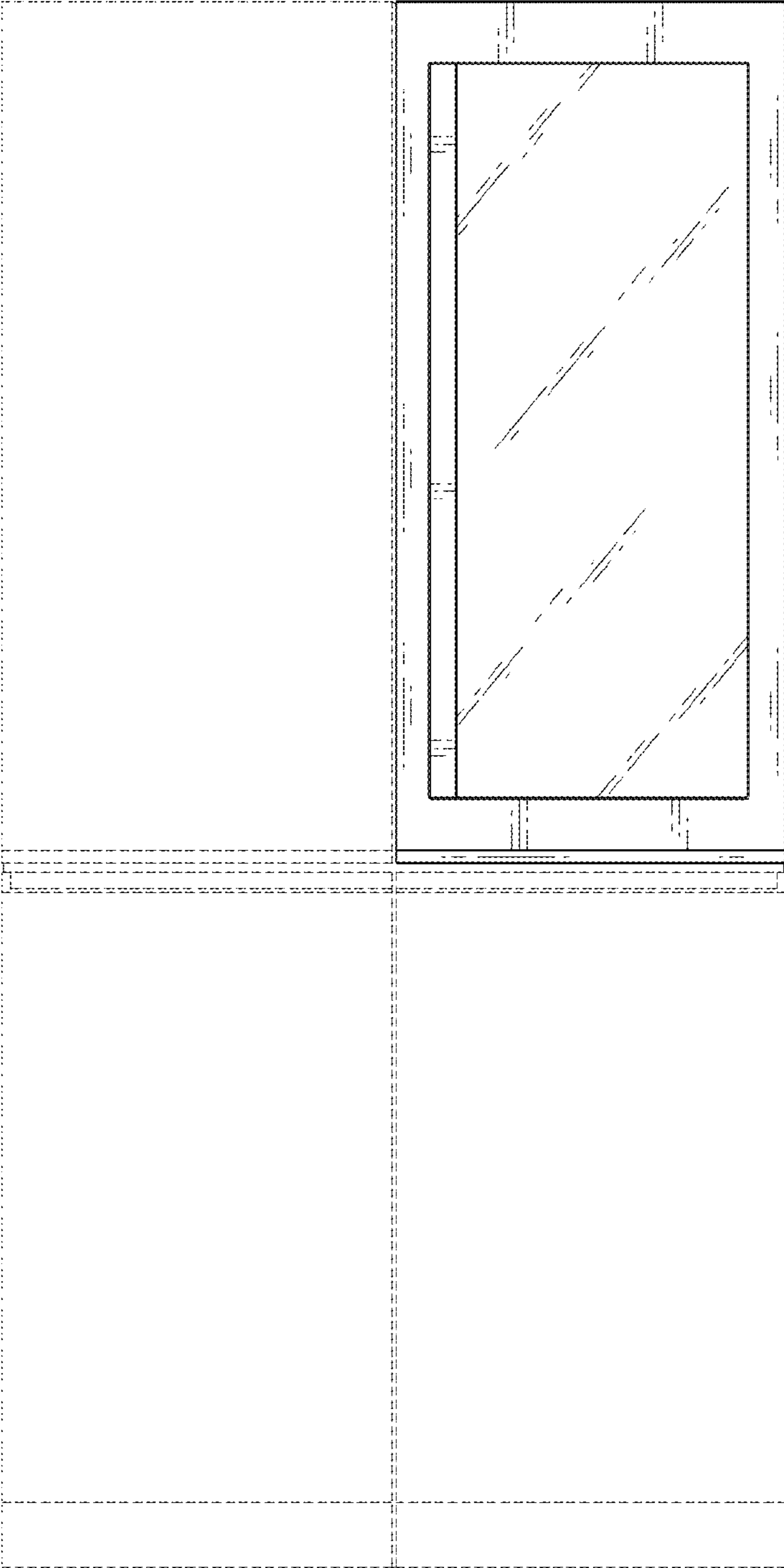


FIG. 3

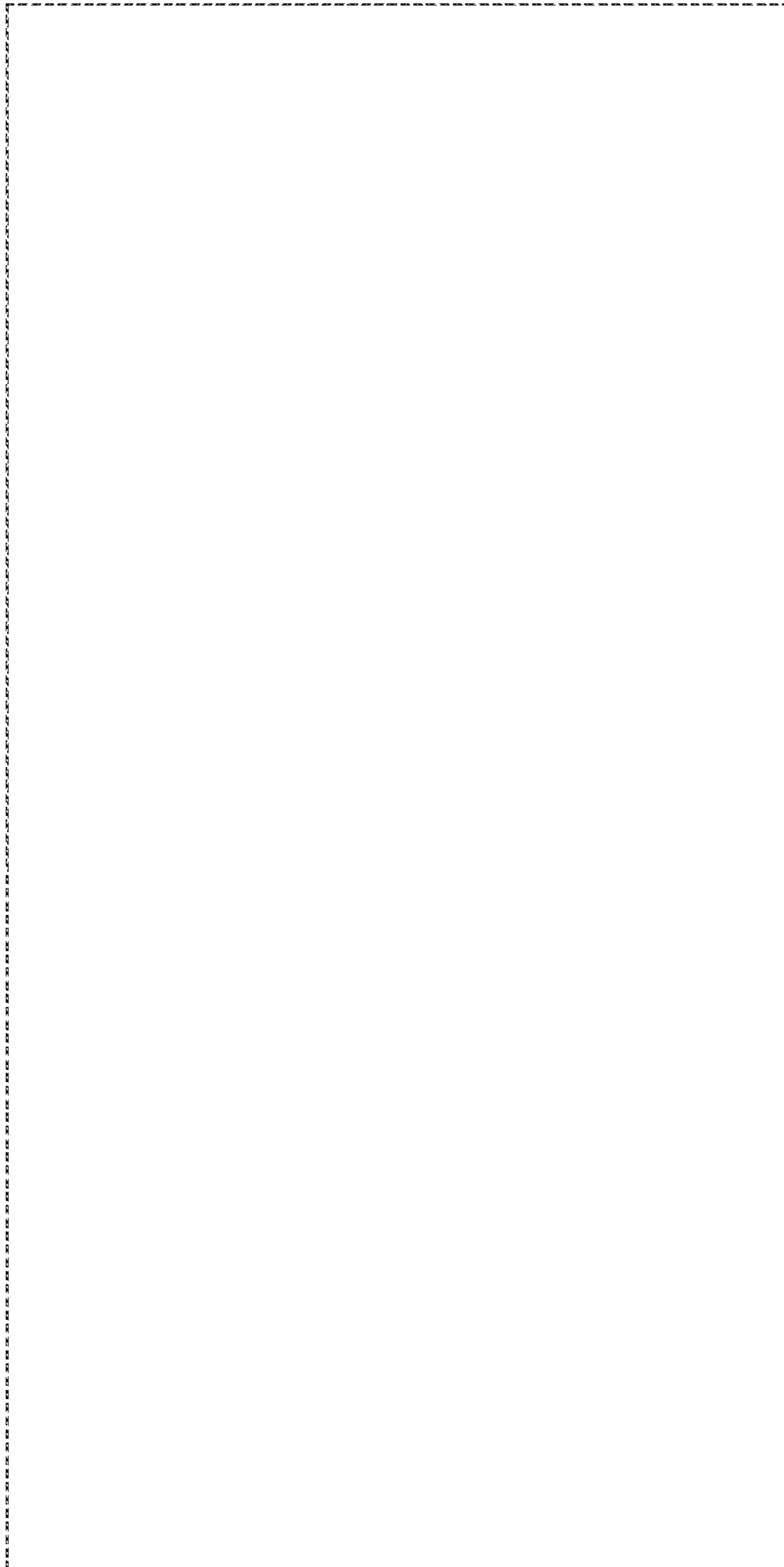


FIG. 4

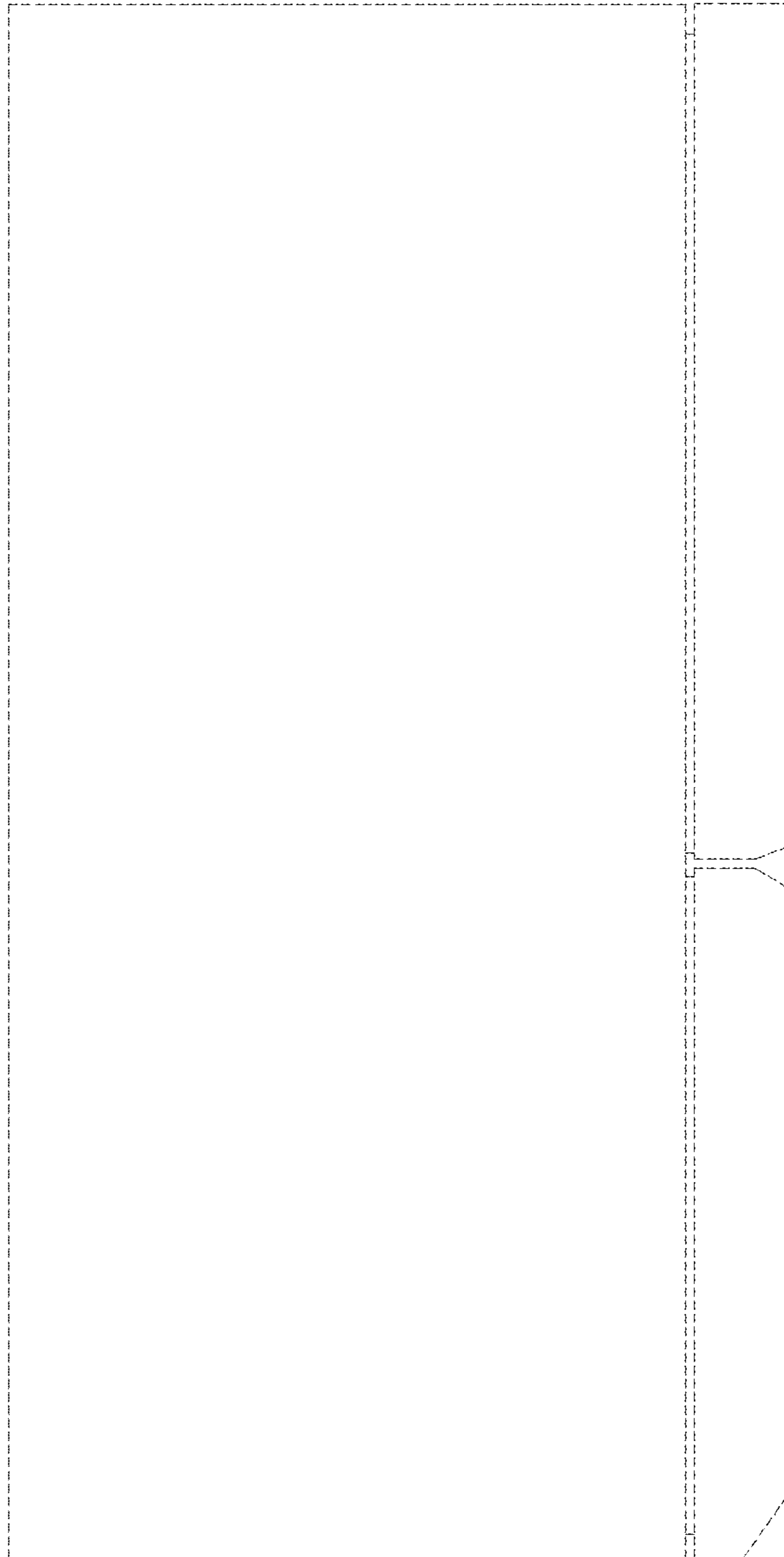


FIG. 5

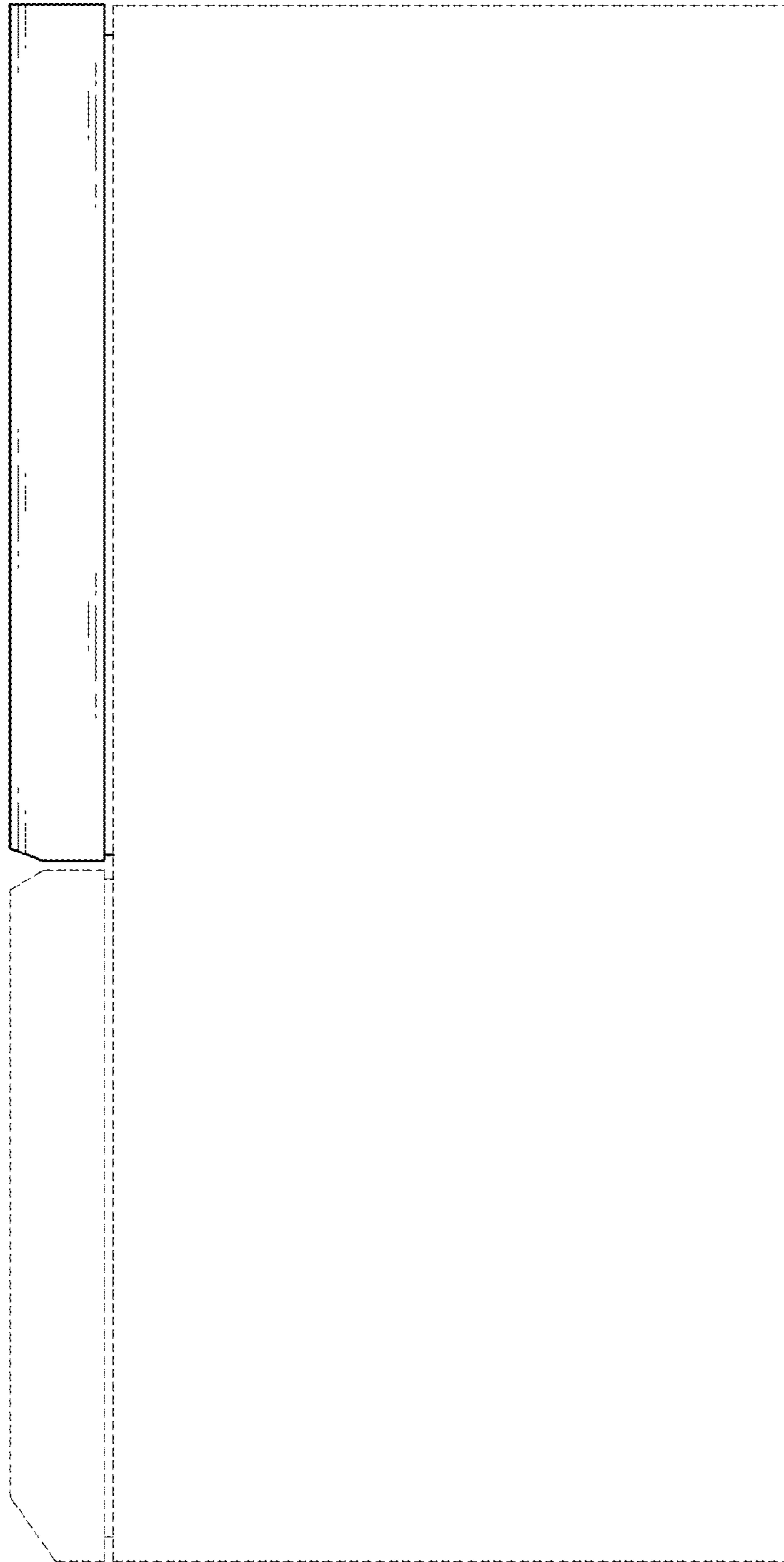


FIG. 6

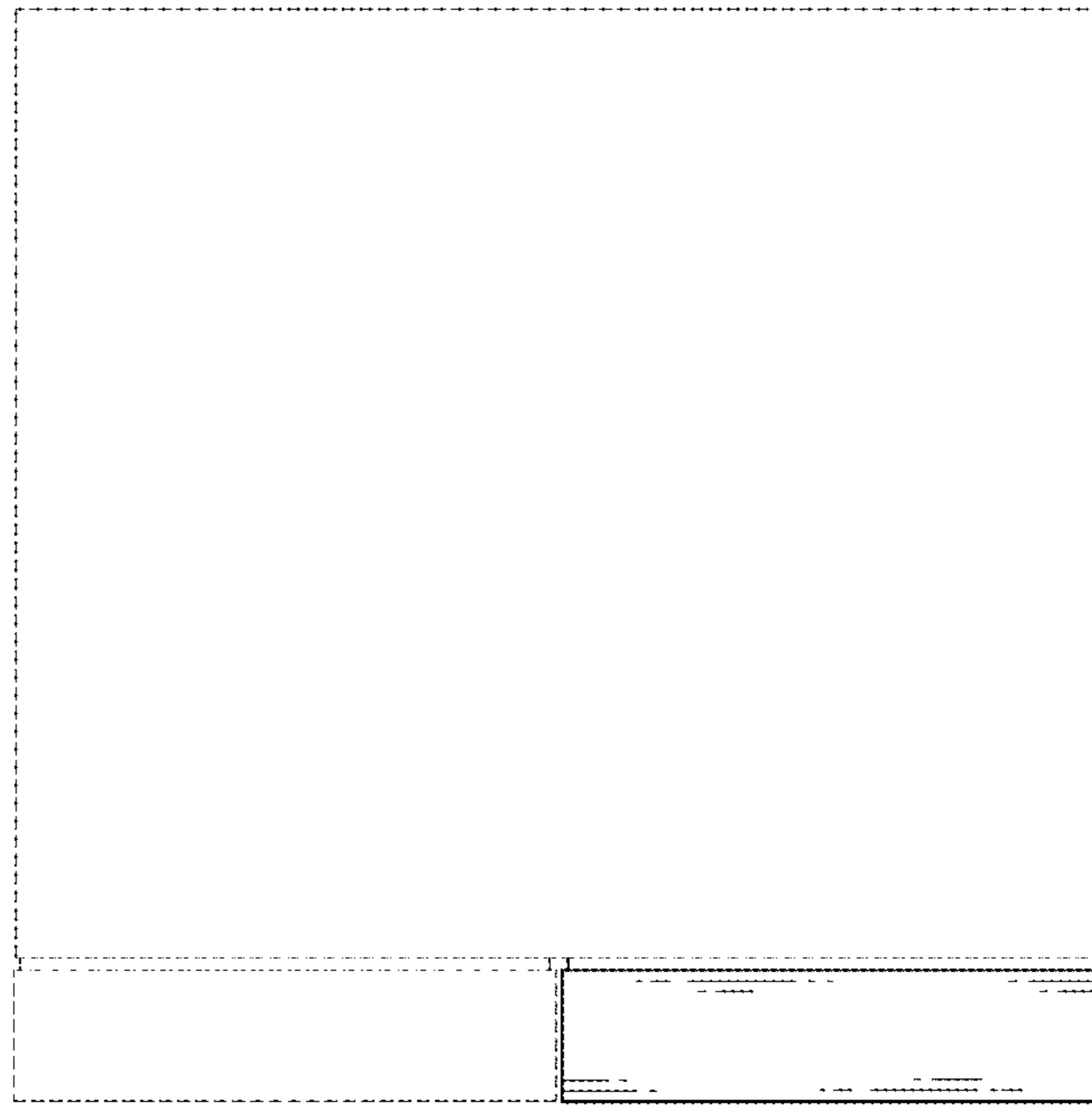


FIG. 7

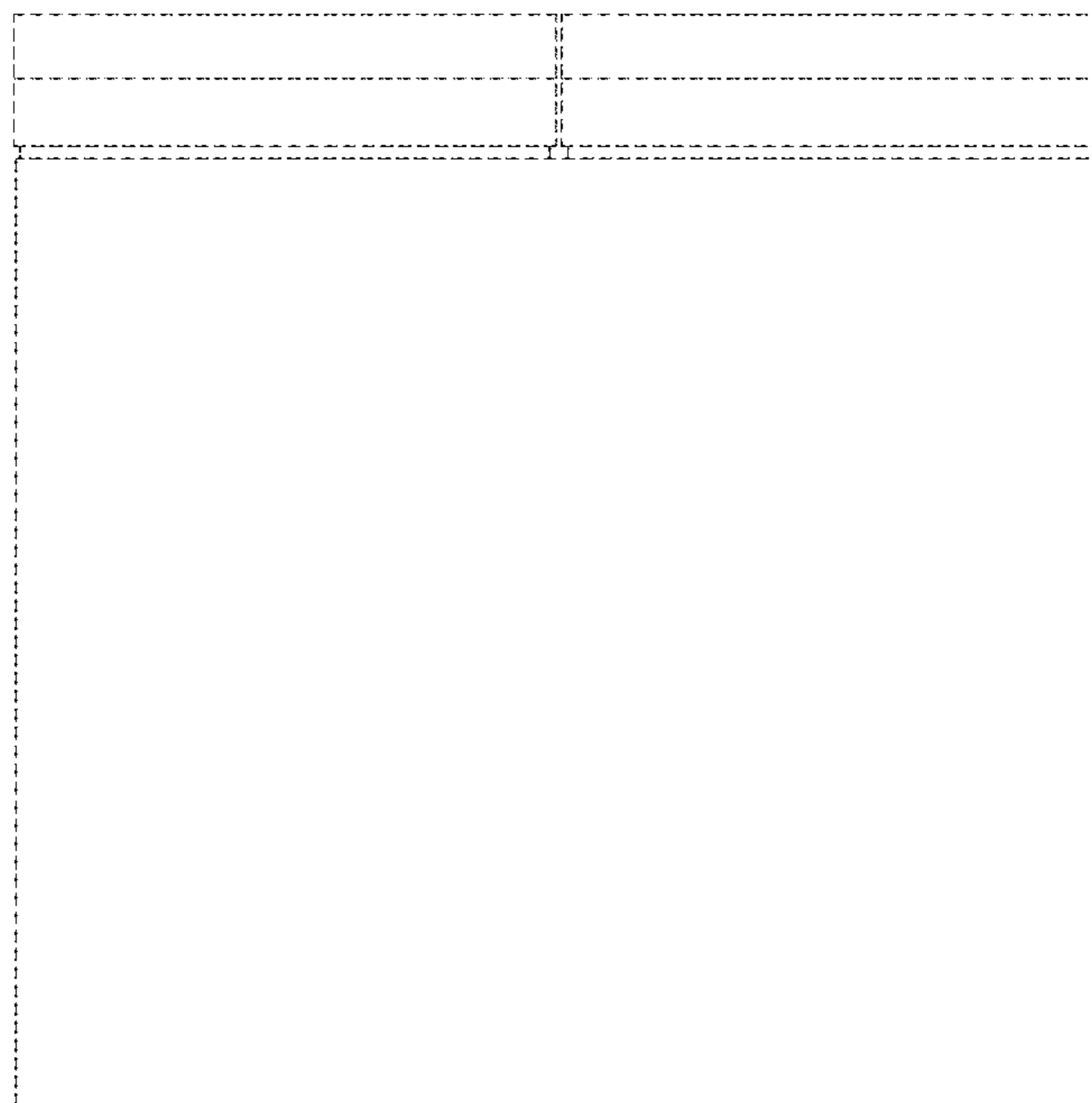


FIG. 8

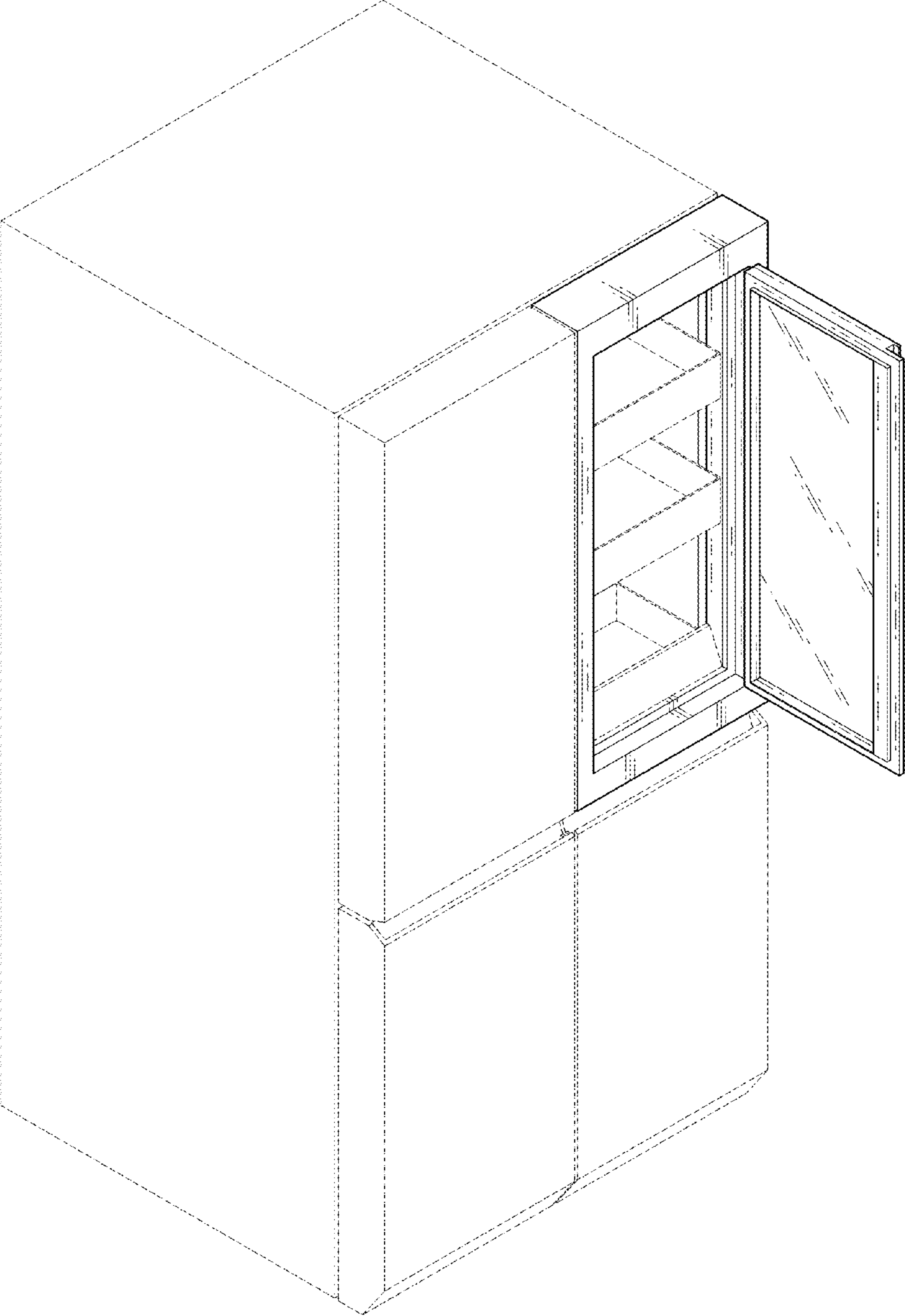




FIG. 9

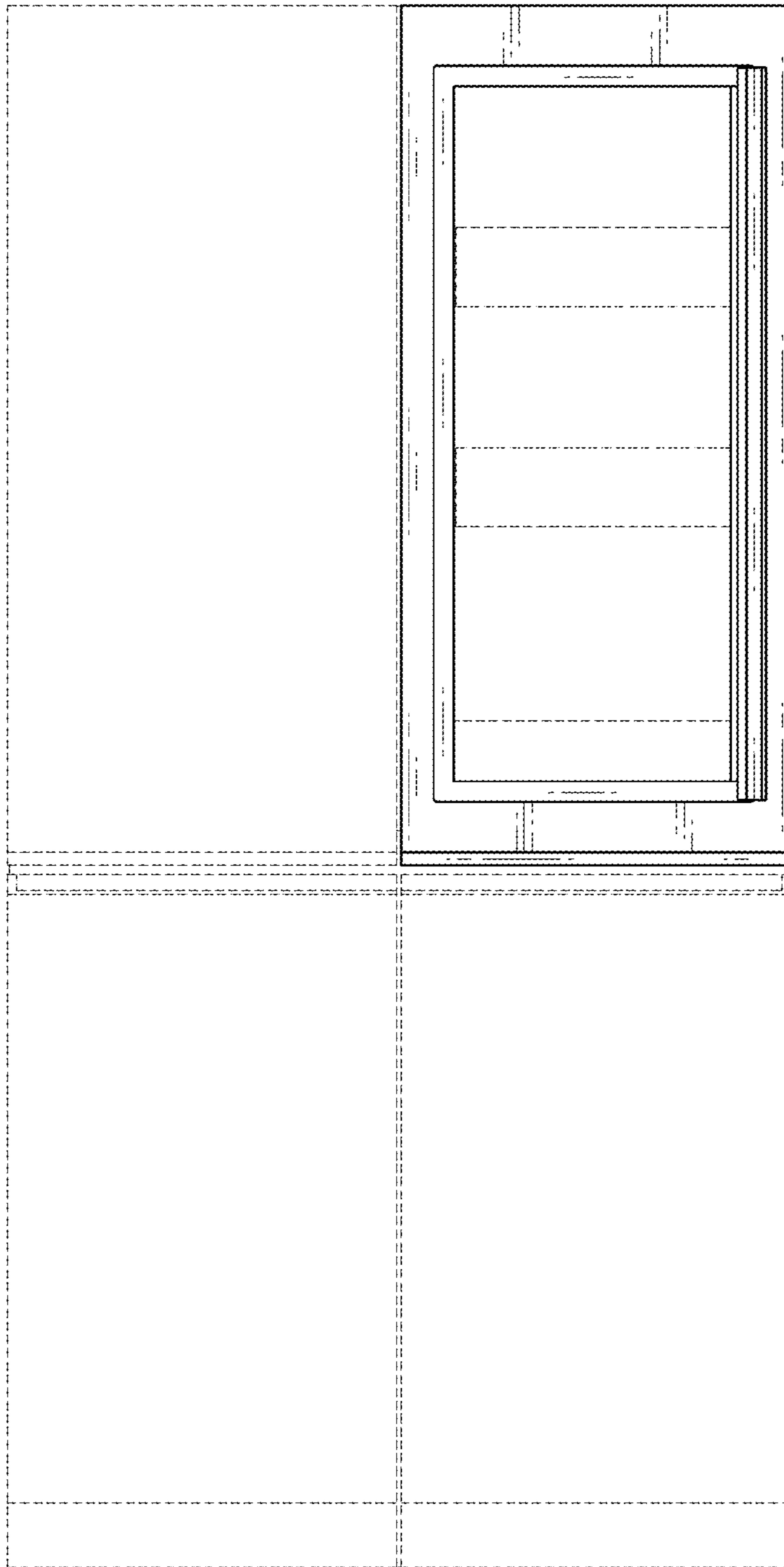


FIG. 10

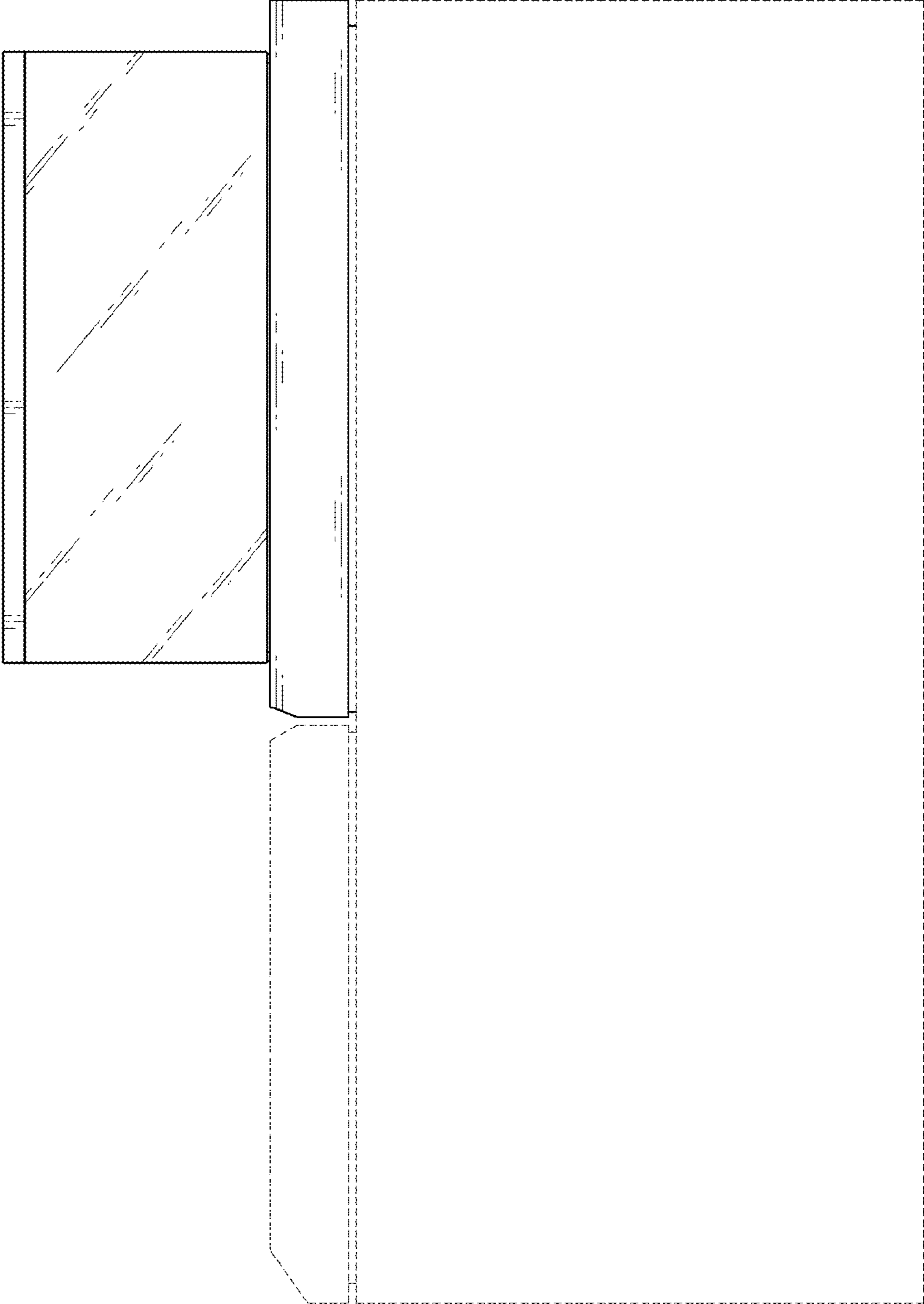


FIG. 11

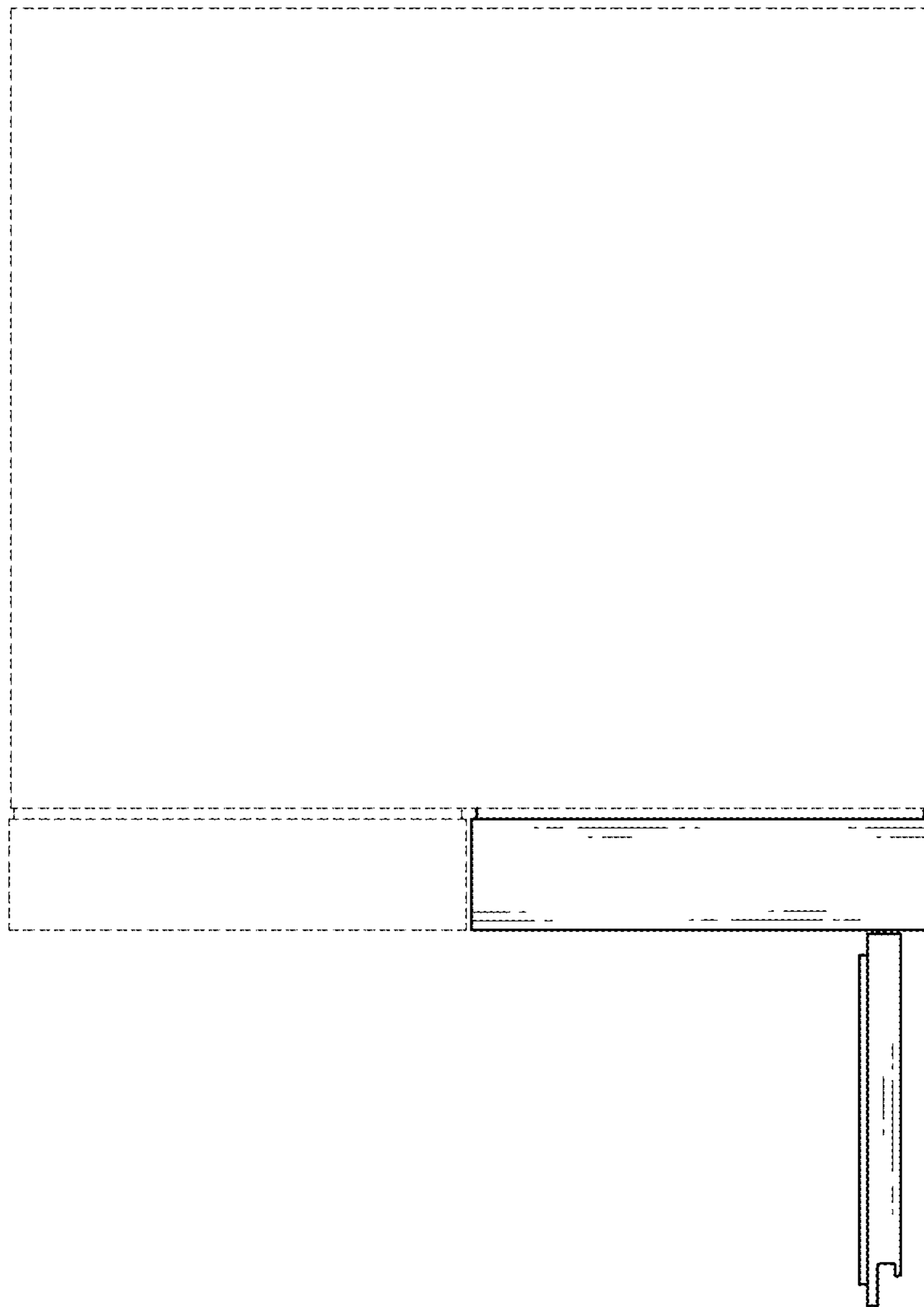


FIG. 12

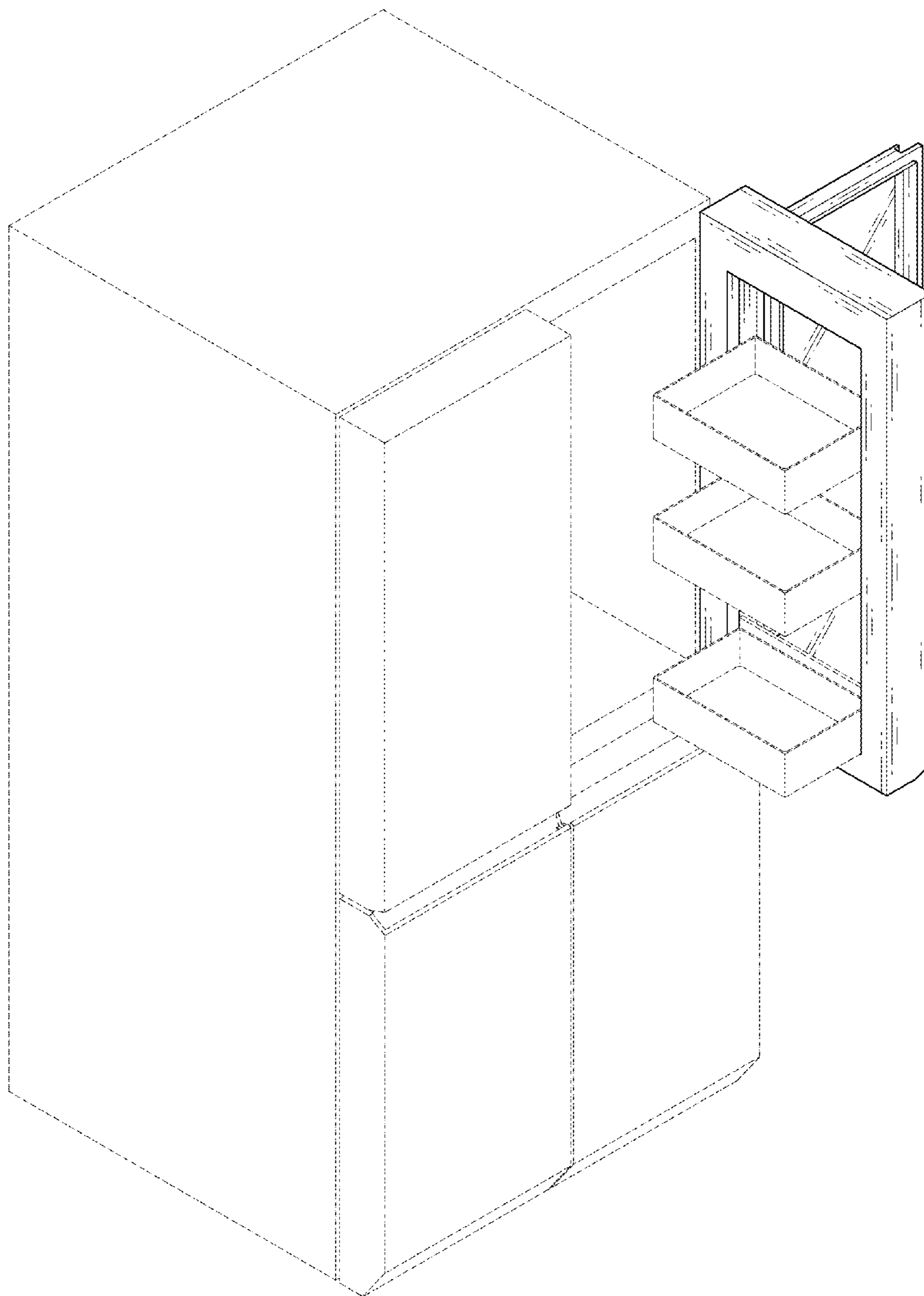


FIG. 13

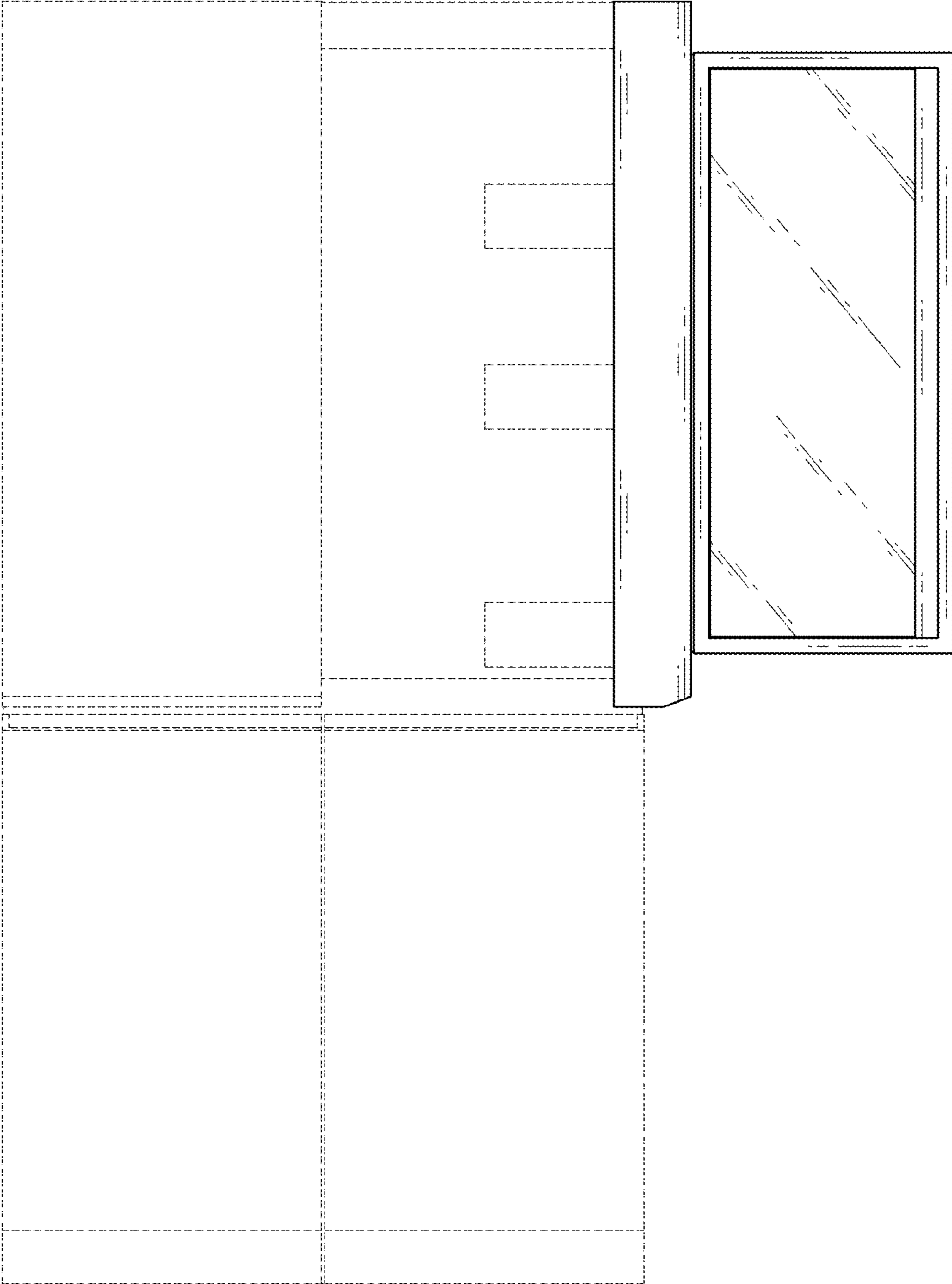


FIG. 14

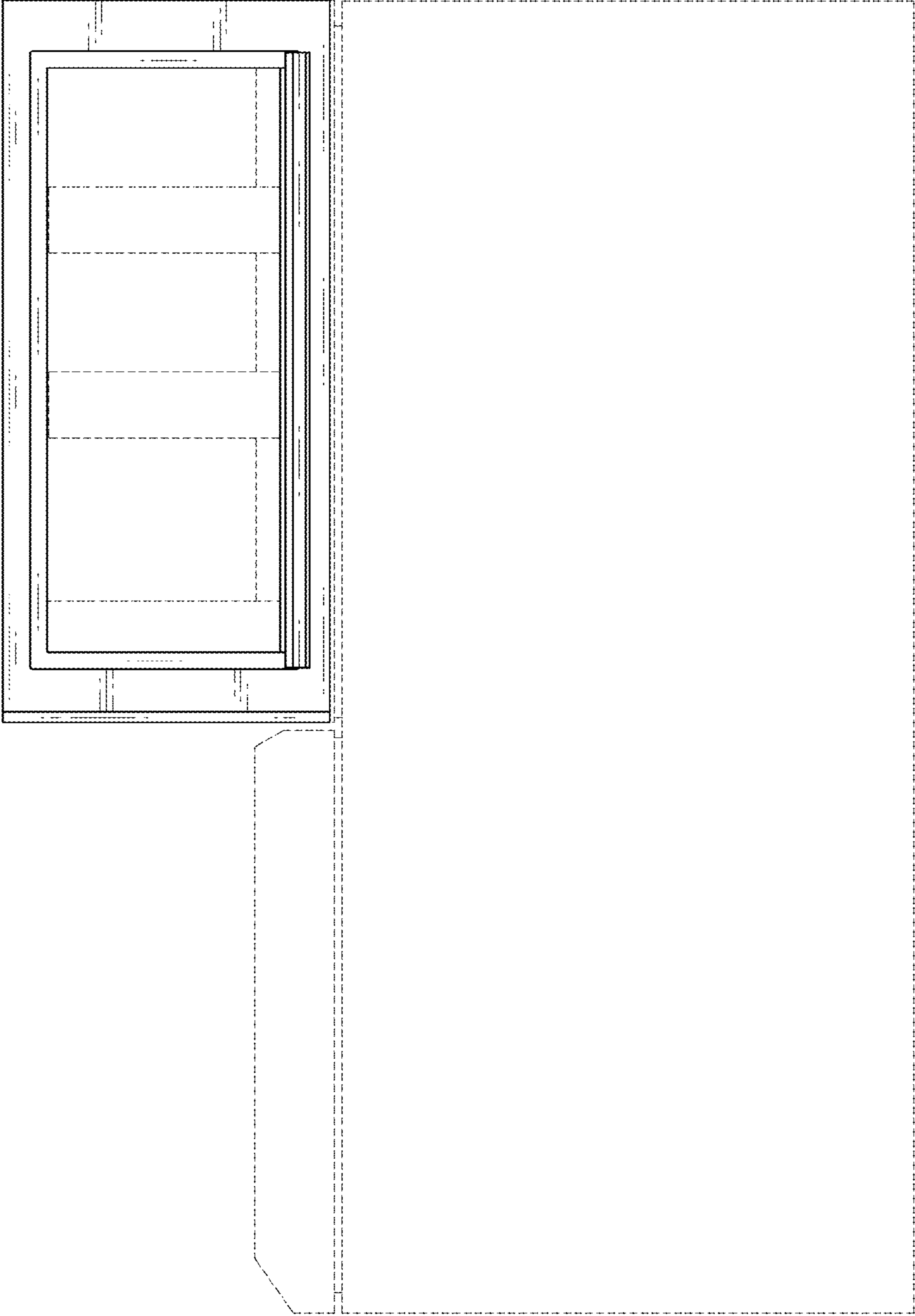


FIG. 15

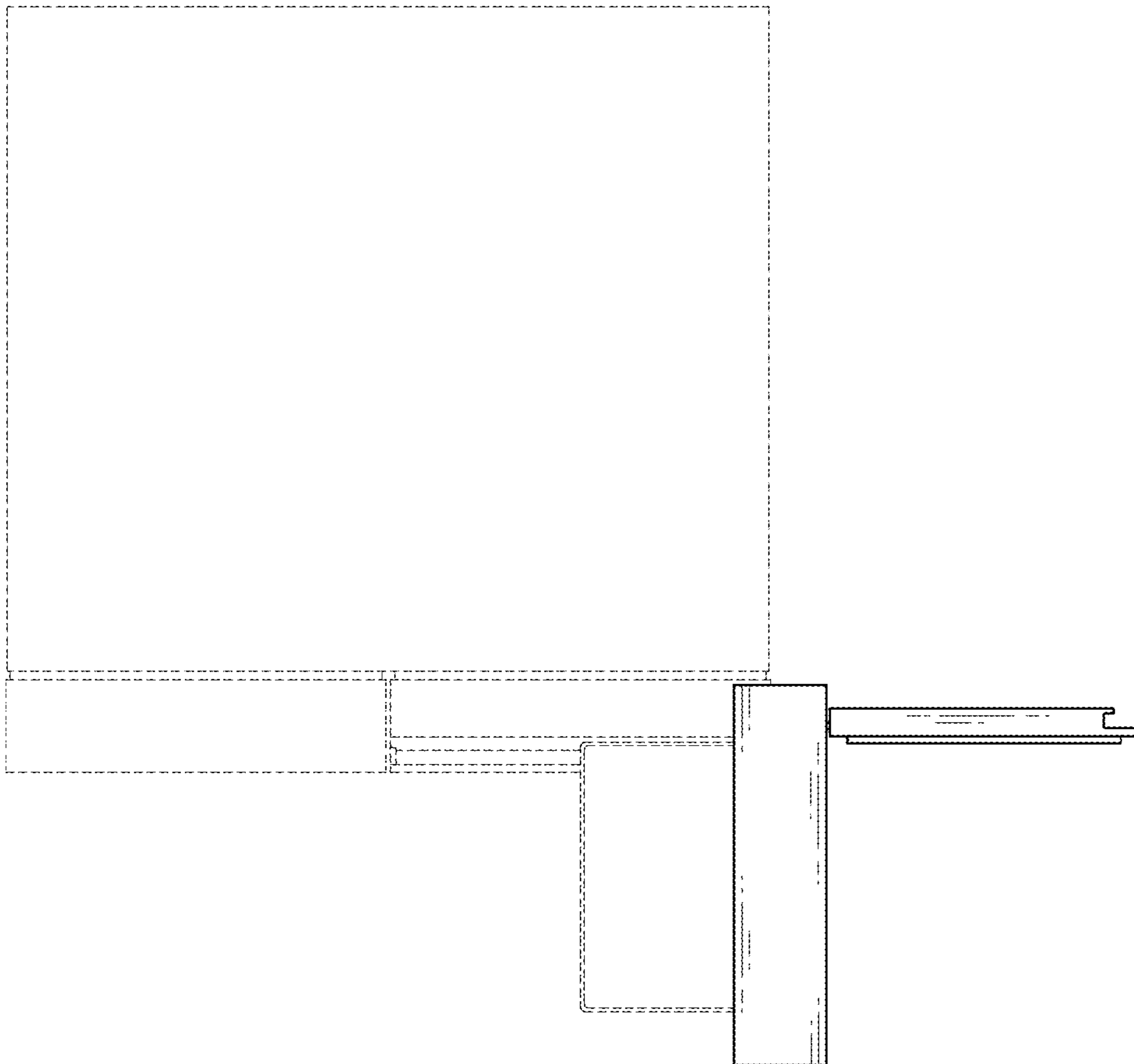


FIG. 16

