



US00D760817S

(12) **United States Design Patent**  
**Nanno et al.**

(10) **Patent No.:** **US D760,817 S**  
(45) **Date of Patent:** **\*\* Jul. 5, 2016**

- (54) **SEWING MACHINE**
- (71) Applicant: **BROTHER INDUSTRIES, LTD.,**  
Nagoya-shi, Aichi-ken (JP)
- (72) Inventors: **Ai Nanno,** Nagoya (JP); **Masahide Asano,** Nagoya (JP)
- (73) Assignee: **BROTHER INDUSTRIES, LTD.,**  
Nagoya (JP)
- (\*\*) Term: **14 Years**
- (21) Appl. No.: **29/522,142**
- (22) Filed: **Mar. 27, 2015**
- (51) **LOC (10) Cl.** ..... **15-06**
- (52) **U.S. Cl.**  
USPC ..... **D15/69**
- (58) **Field of Classification Search**  
USPC ..... D15/66-78  
CPC ..... D05B 1/00-21/00; D05B 75/06  
See application file for complete search history.

|              |         |           |       |        |
|--------------|---------|-----------|-------|--------|
| D372,720 S * | 8/1996  | Hattori   | ..... | D15/69 |
| D377,357 S * | 1/1997  | Tseng     | ..... | D15/69 |
| D392,294 S * | 3/1998  | Kato      | ..... | D15/69 |
| D450,721 S * | 11/2001 | Kawaguchi | ..... | D15/69 |
| D462,368 S * | 9/2002  | Kuroki    | ..... | D15/69 |
| D465,793 S * | 11/2002 | Takada    | ..... | D15/69 |
| D478,337 S * | 8/2003  | Kuroki    | ..... | D15/69 |
| D478,916 S * | 8/2003  | Kuroki    | ..... | D15/69 |
| D482,702 S * | 11/2003 | Kawaguchi | ..... | D15/69 |
| D521,027 S * | 5/2006  | Hosoi     | ..... | D15/66 |
| D521,534 S * | 5/2006  | Kawaguchi | ..... | D15/69 |
| D524,828 S * | 7/2006  | Kuroki    | ..... | D15/69 |
| D553,650 S * | 10/2007 | Muto      | ..... | D15/69 |
| D555,176 S * | 11/2007 | Ogawa     | ..... | D15/69 |
| D632,706 S * | 2/2011  | Hattori   | ..... | D15/69 |
| D648,757 S * | 11/2011 | Muto      | ..... | D15/69 |
| D700,634 S * | 3/2014  | Saitou    | ..... | D15/69 |
| D719,985 S * | 12/2014 | Tseng     | ..... | D15/69 |

\* cited by examiner

*Primary Examiner* — Mitchell Siegel  
(74) *Attorney, Agent, or Firm* — Oliff PLC

(57) **CLAIM**  
The ornamental design for a sewing machine, as shown and described.

(56) **References Cited**

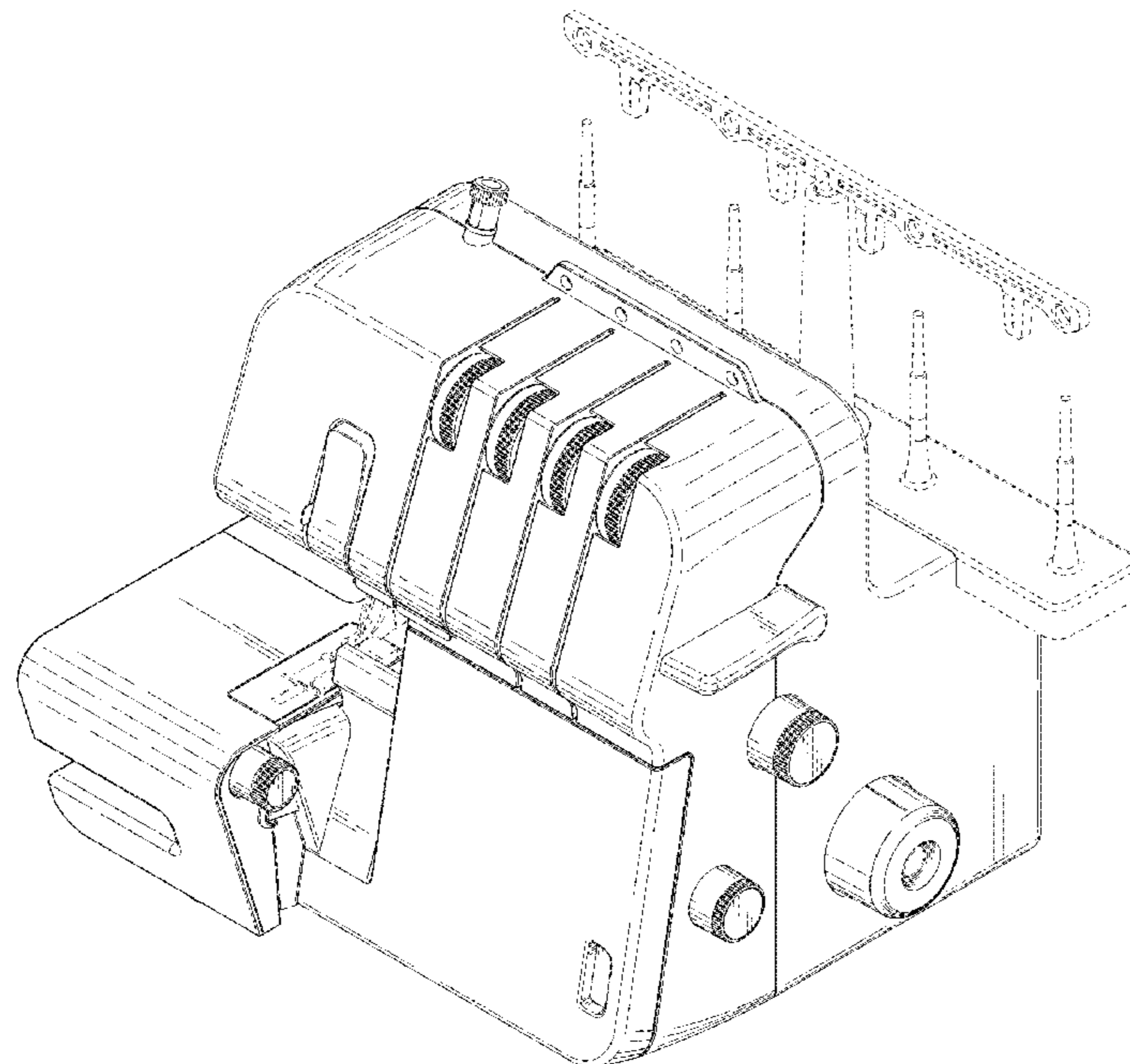
U.S. PATENT DOCUMENTS

|               |         |           |       |                      |
|---------------|---------|-----------|-------|----------------------|
| D267,881 S *  | 2/1983  | Current   | ..... | D15/68               |
| 4,407,211 A * | 10/1983 | Kiyoshima | ..... | D05B 1/20<br>112/260 |
| D278,823 S *  | 5/1985  | Yoneda    | ..... | D15/69               |
| D292,928 S *  | 11/1987 | Lo        | ..... | D15/69               |
| D298,044 S *  | 10/1988 | Sekiguchi | ..... | D15/69               |
| D307,024 S *  | 4/1990  | Itoh      | ..... | D15/69               |
| D309,739 S *  | 8/1990  | Itoh      | ..... | D15/69               |
| D321,518 S *  | 11/1991 | Uchida    | ..... | D15/69               |
| D338,021 S *  | 8/1993  | Uchida    | ..... | D15/69               |
| D338,022 S *  | 8/1993  | Takada    | ..... | D15/69               |

**DESCRIPTION**

FIG. 1 is a perspective view of a sewing machine;  
FIG. 2 is a front view thereof;  
FIG. 3 is a top view thereof;  
FIG. 4 is a right-side view thereof;  
FIG. 5 is a left-side view thereof;  
FIG. 6 is a rear view thereof; and,  
FIG. 7 is a bottom view thereof.  
The broken lines depict environmental subject matter only and form no part of the claimed design.

**1 Claim, 7 Drawing Sheets**



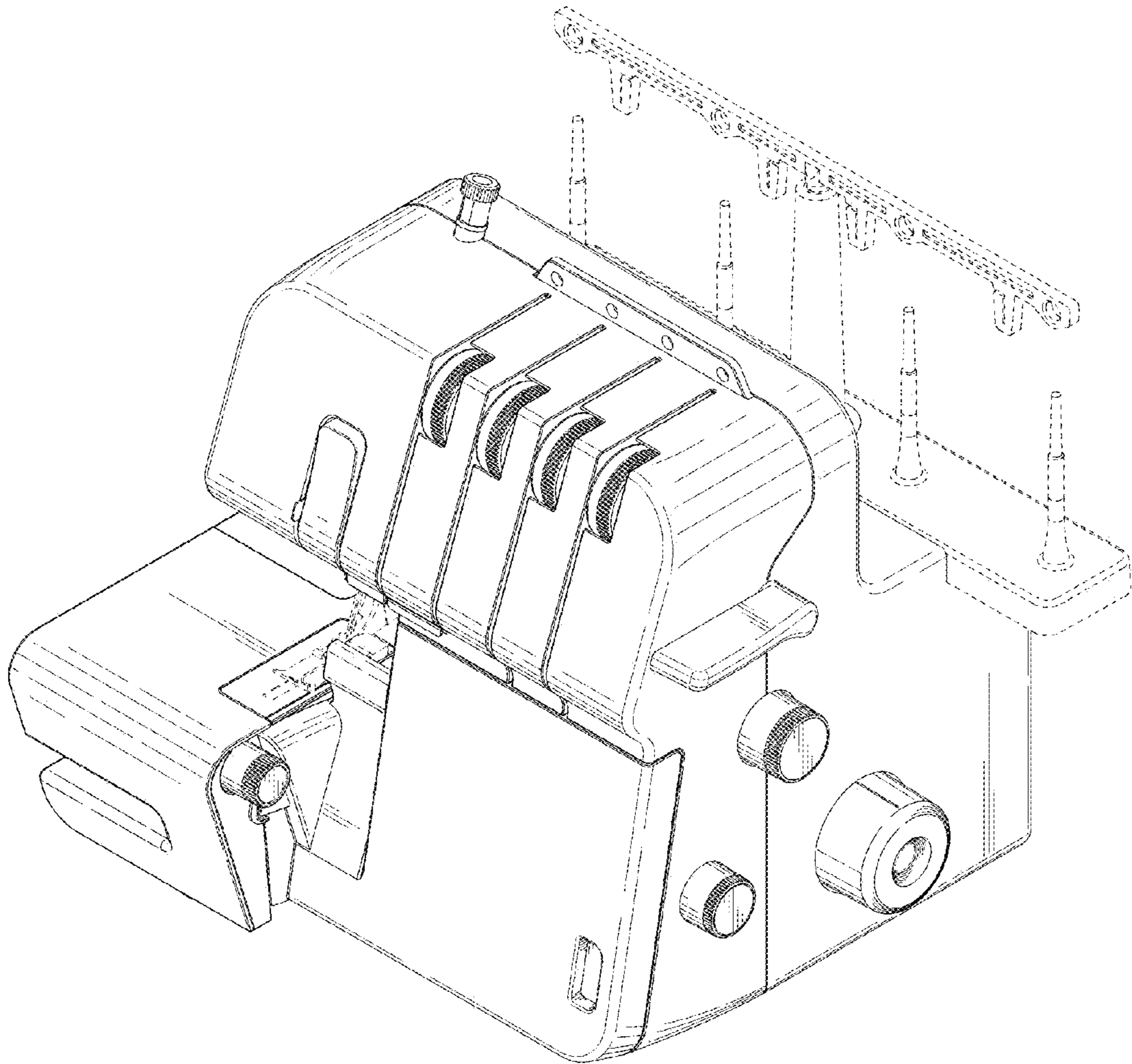


FIG. 1

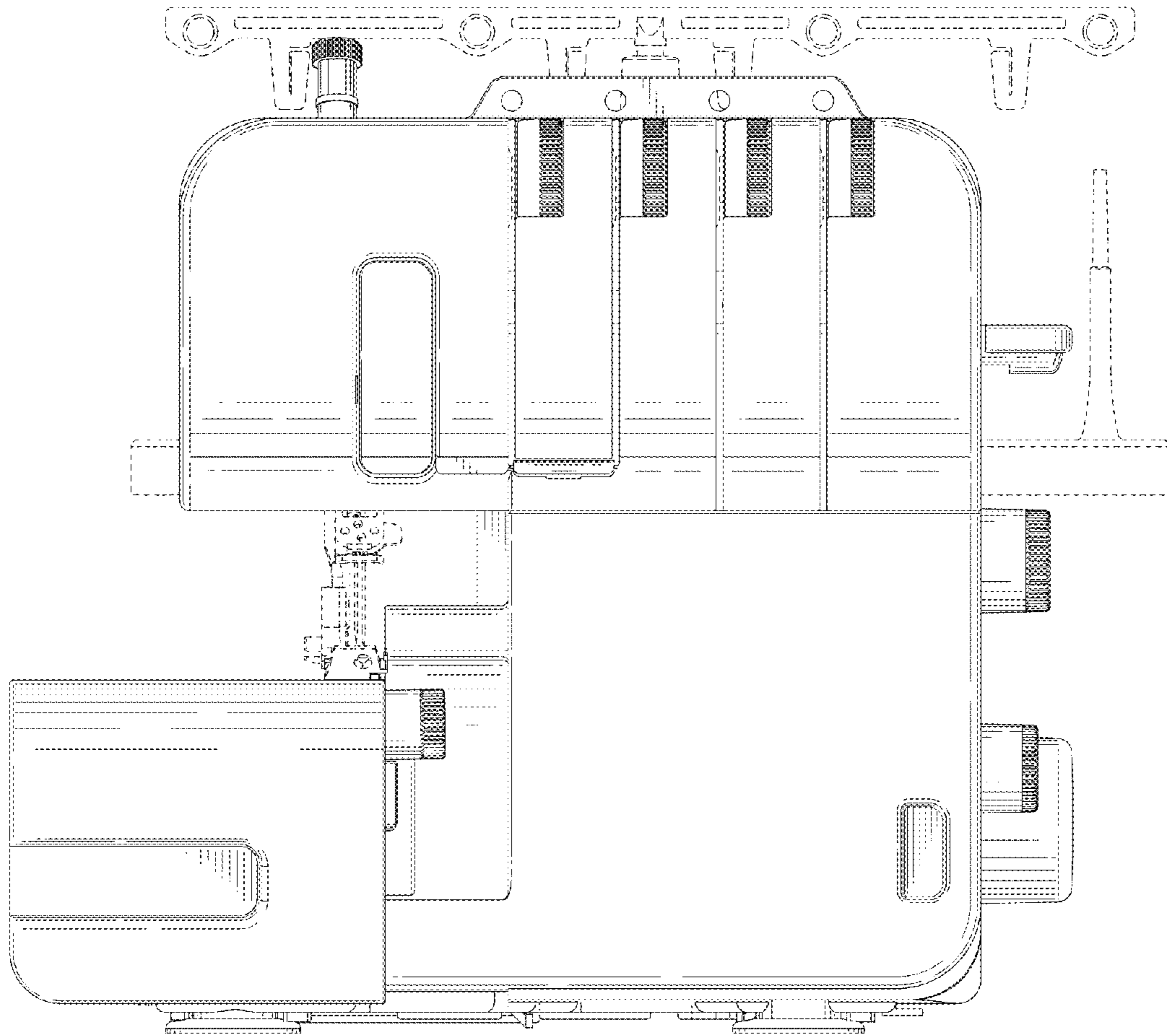


FIG. 2



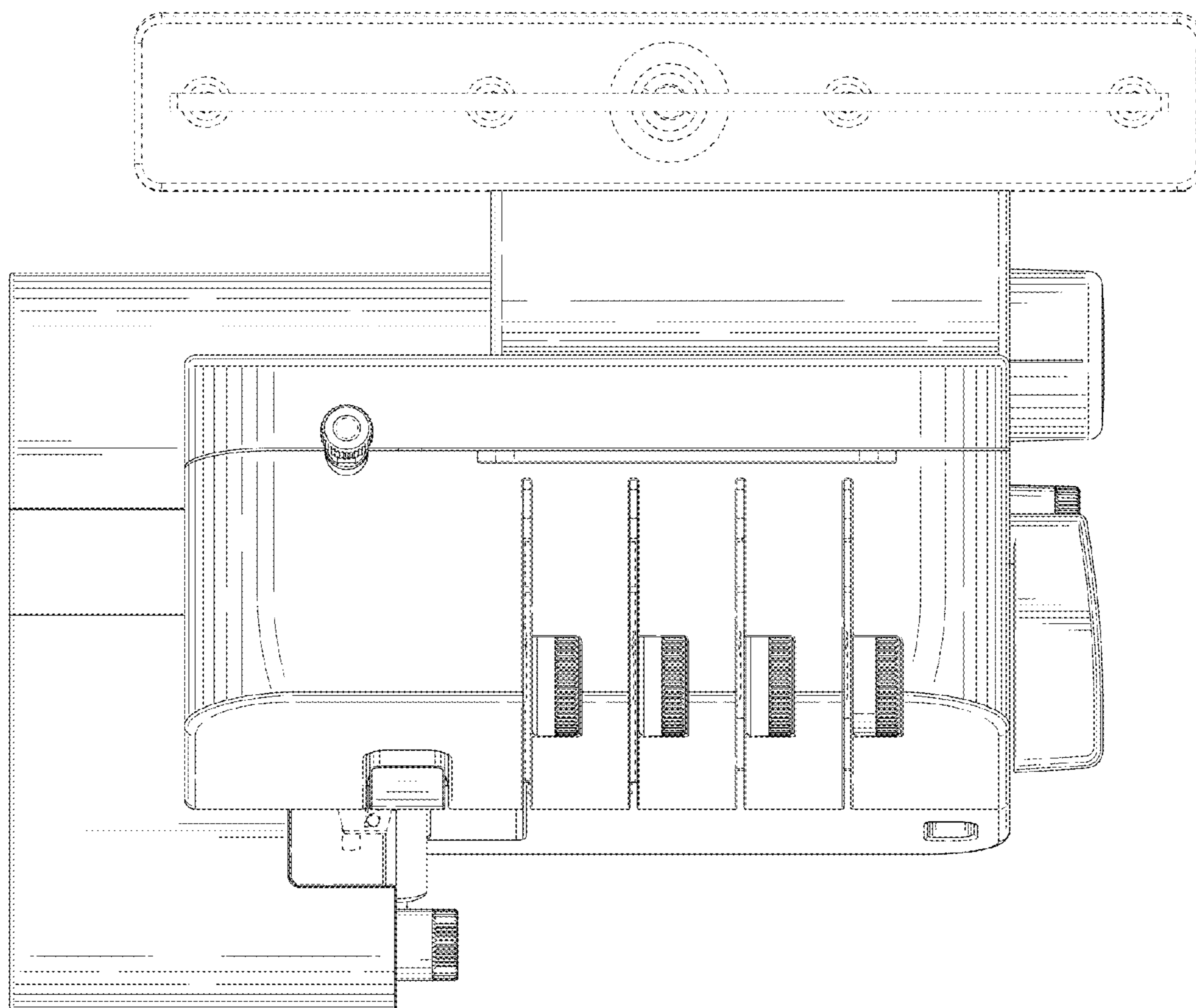


FIG. 3

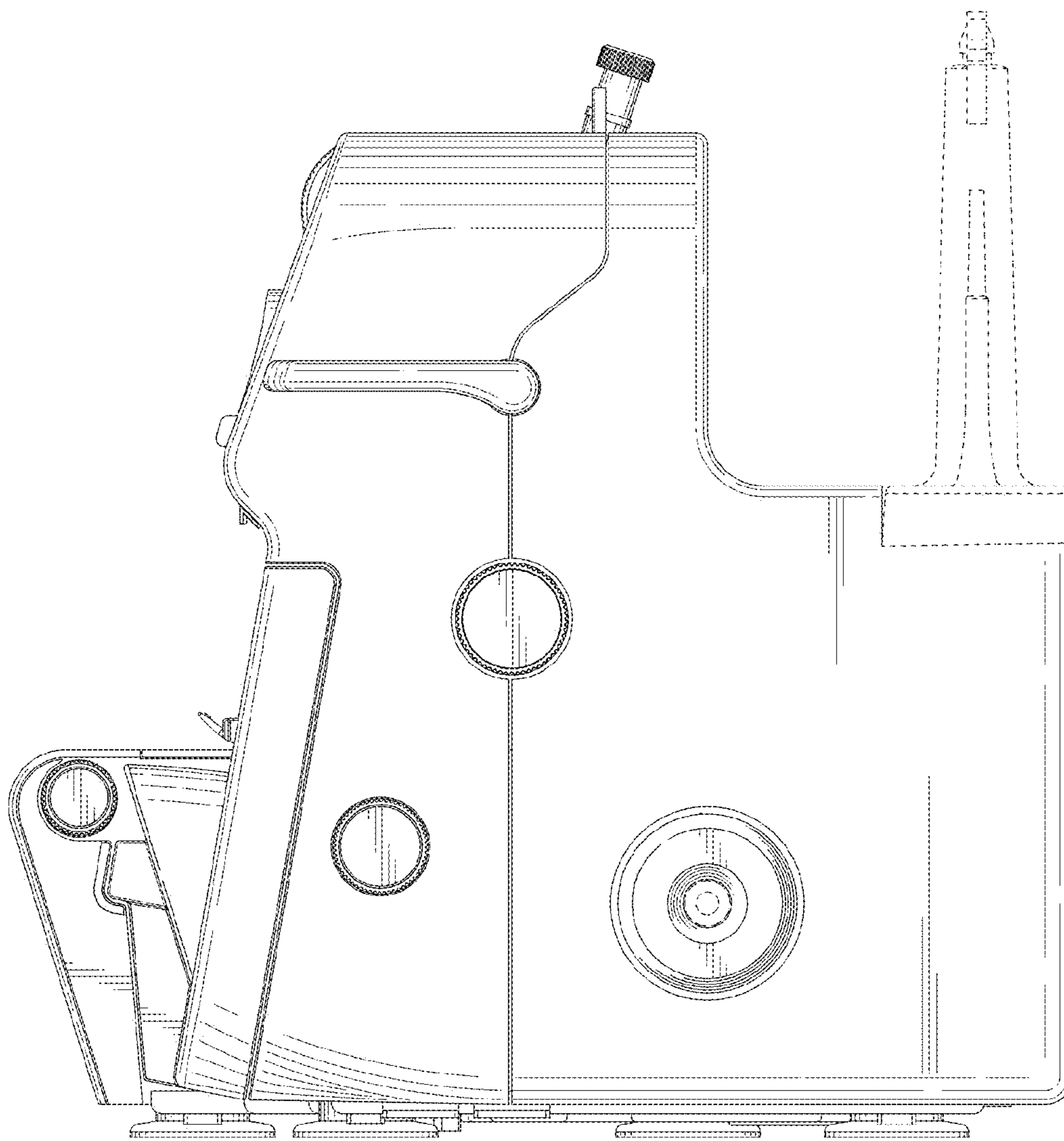


FIG. 4

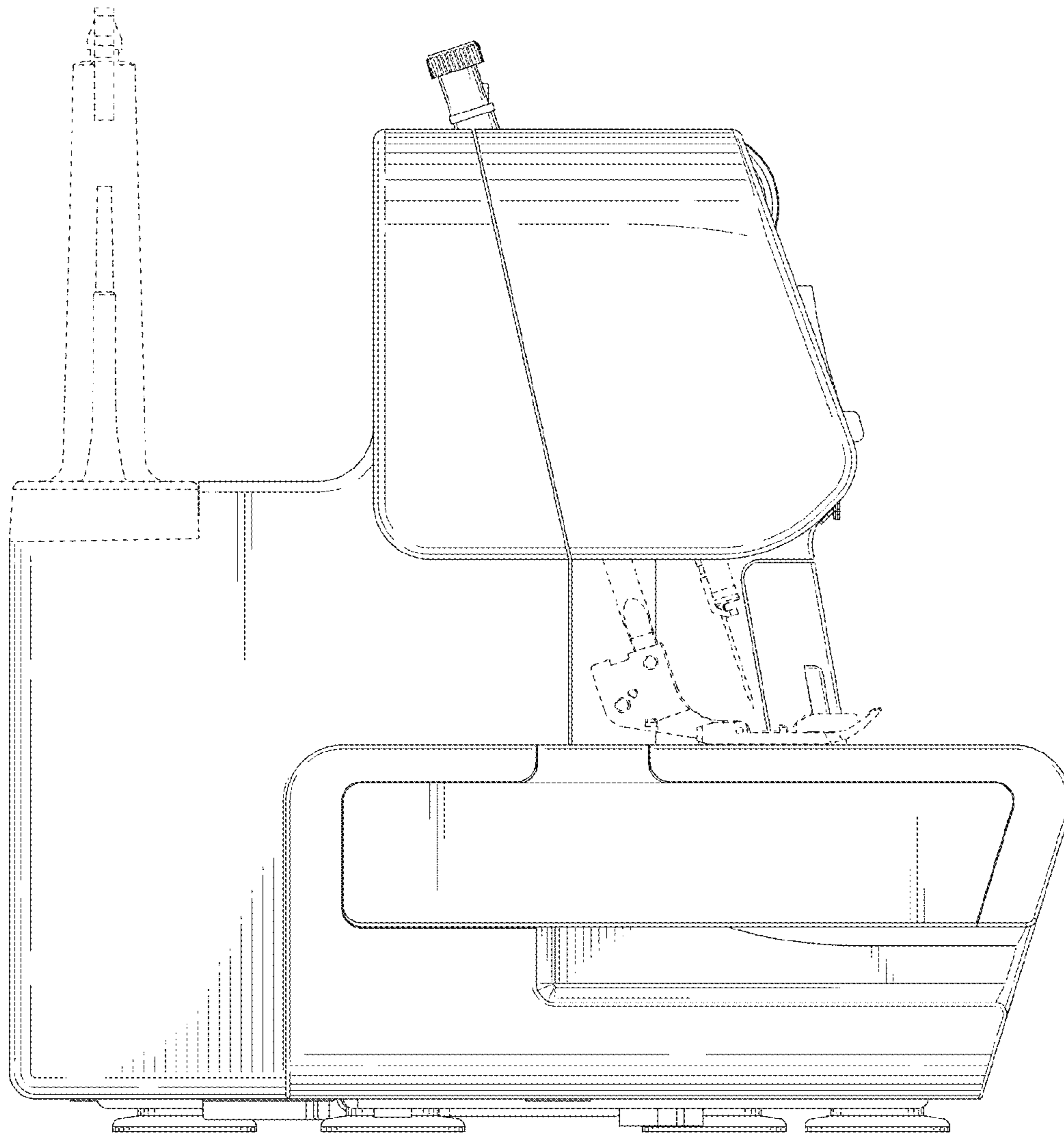


FIG. 5

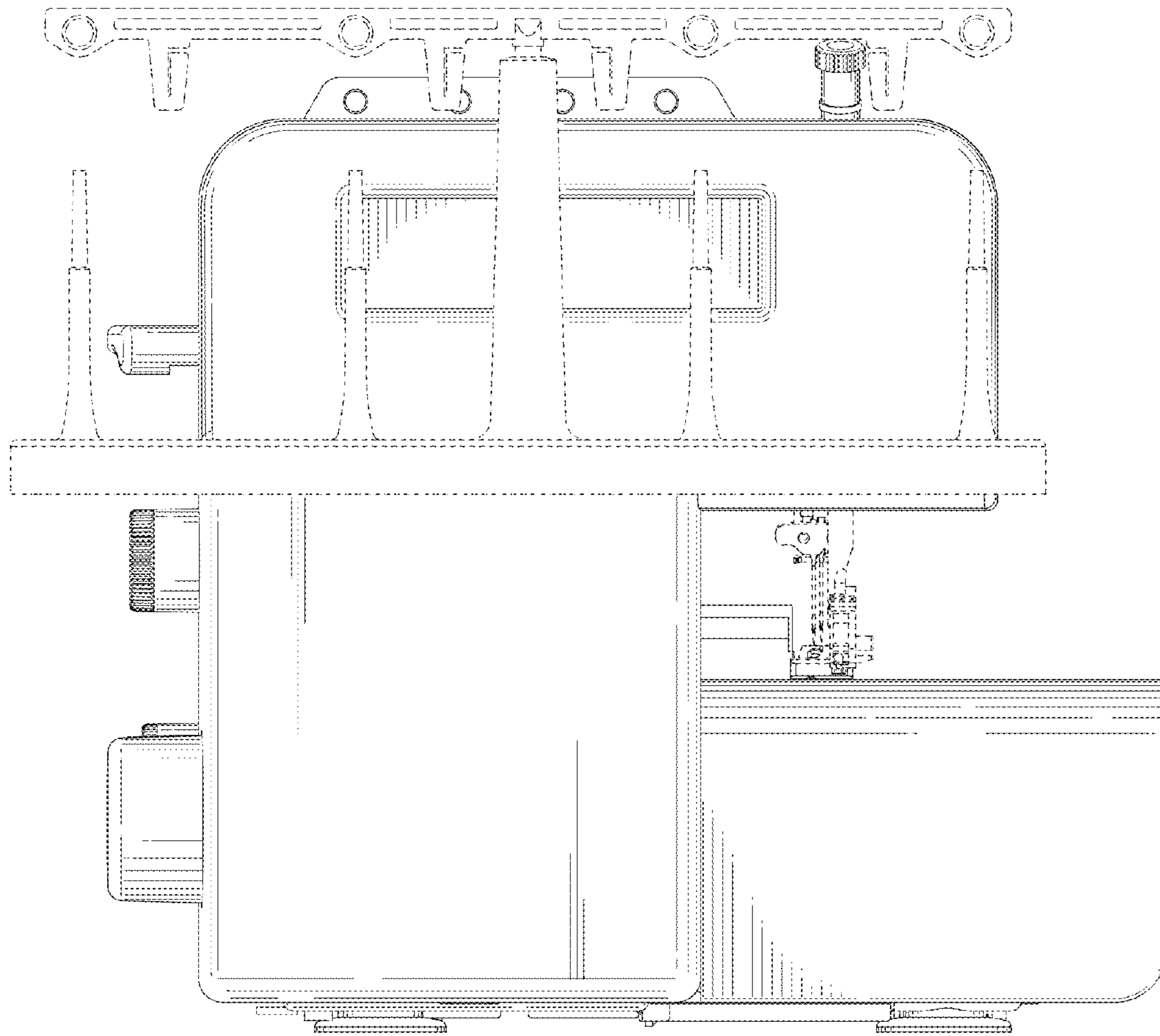


FIG. 6

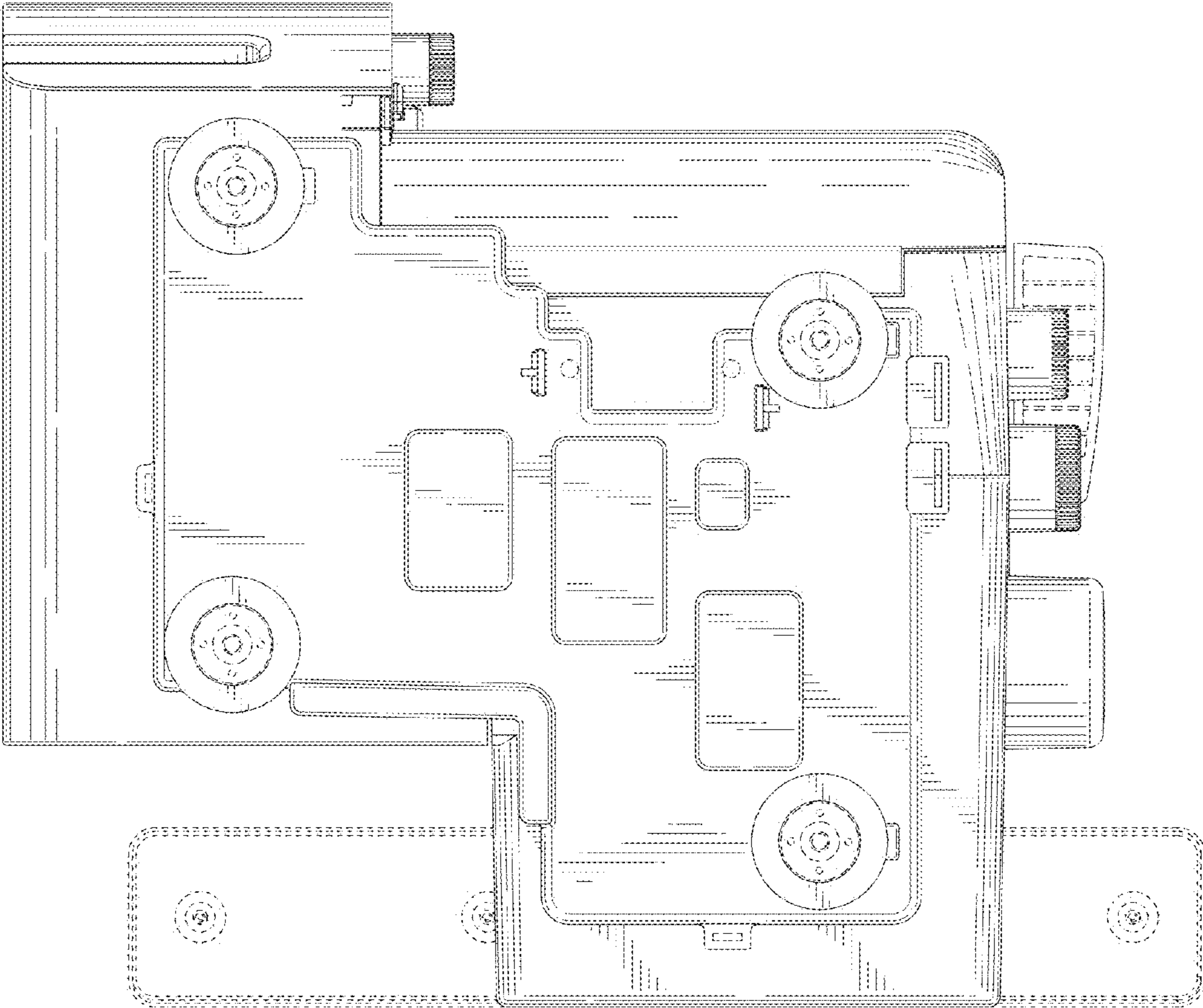


FIG. 7