



US00D760816S

(12) **United States Design Patent**
Asano

(10) **Patent No.:** **US D760,816 S**
(45) **Date of Patent:** **** Jul. 5, 2016**

(54) **SEWING MACHINE**

(71) Applicant: **BROTHER INDUSTRIES, LTD.**,
Nagoya-shi, Aichi-ken (JP)

(72) Inventor: **Masahide Asano**, Nagoya (JP)

(73) Assignee: **BROTHER INDUSTRIES, LTD.**,
Nagoya (JP)

(**) Term: **14 Years**

(21) Appl. No.: **29/522,116**

(22) Filed: **Mar. 27, 2015**

(51) **LOC (10) Cl.** **15-06**

(52) **U.S. Cl.**
USPC **D15/69**

(58) **Field of Classification Search**
USPC D15/66-78
CPC D05B 1/00-21/00; D05B 75/06
See application file for complete search history.

(56) **References Cited**

U.S. PATENT DOCUMENTS

D292,929 S * 11/1987 Yoneda D15/69
D293,115 S * 12/1987 Kuroki D15/69
D301,888 S * 6/1989 Kuroki D15/69

D450,332 S * 11/2001 Kuroki D15/69
D523,030 S * 6/2006 Muto D15/69
D524,829 S * 7/2006 Muto D15/69
D529,054 S * 9/2006 Hosoi D15/69
D534,930 S * 1/2007 Hosoi D15/69
D629,020 S * 12/2010 Hattori D15/69
D678,363 S * 3/2013 Asano et al.
D679,297 S * 4/2013 Asano D15/69
D748,160 S * 1/2016 Kawaguchi D15/69

* cited by examiner

Primary Examiner — Mitchell Siegel

(74) *Attorney, Agent, or Firm* — Oliff PLC

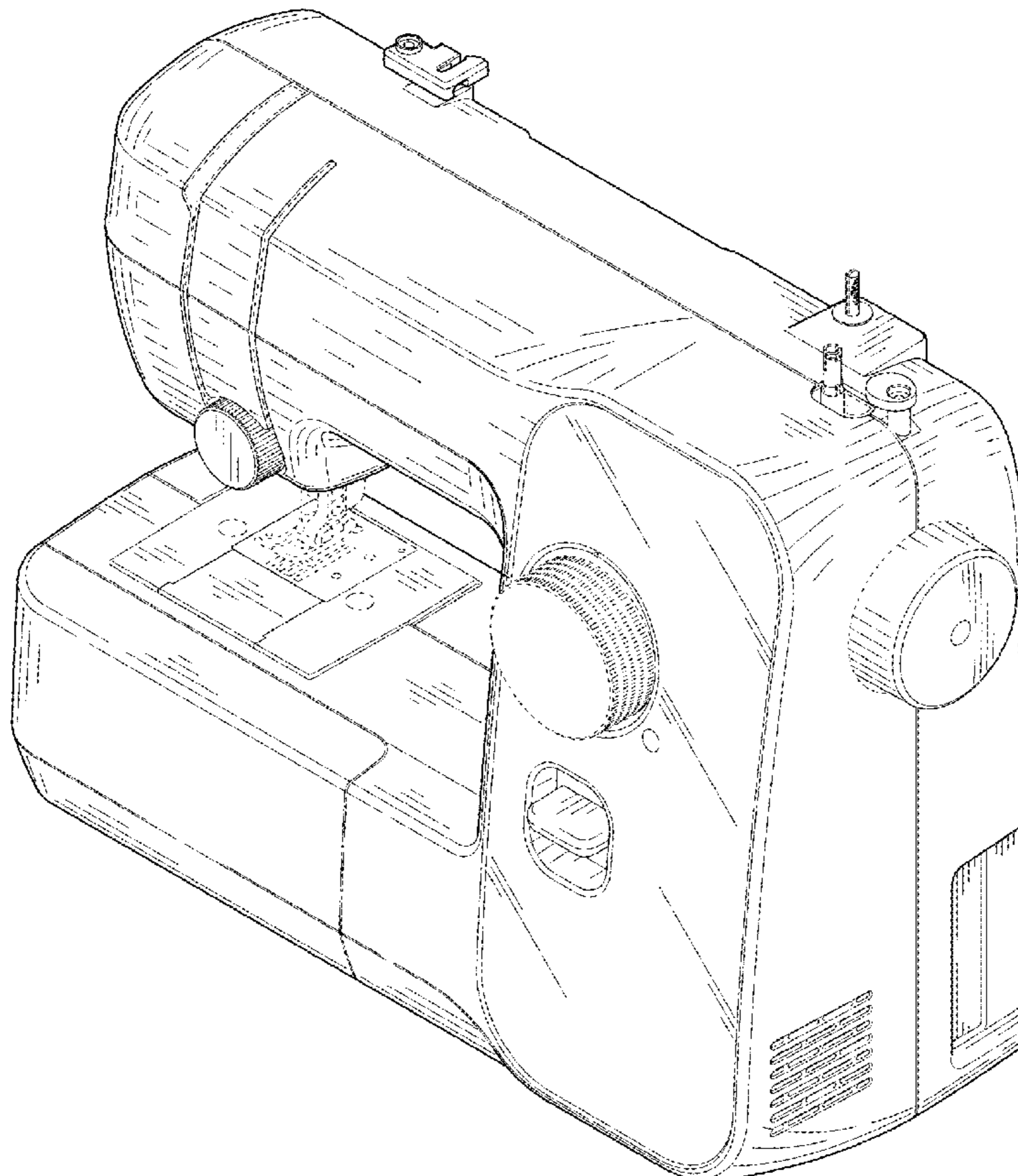
(57) **CLAIM**

The ornamental design for a sewing machine, as shown and described.

DESCRIPTION

FIG. 1 is a perspective view of a sewing machine;
FIG. 2 is a front view thereof;
FIG. 3 is a top view thereof;
FIG. 4 is a right-side view thereof;
FIG. 5 is a left-side view thereof;
FIG. 6 is a rear view thereof; and,
FIG. 7 is a bottom view thereof.
The broken lines depict environmental subject matter only and form no part of the claimed design.

1 Claim, 6 Drawing Sheets



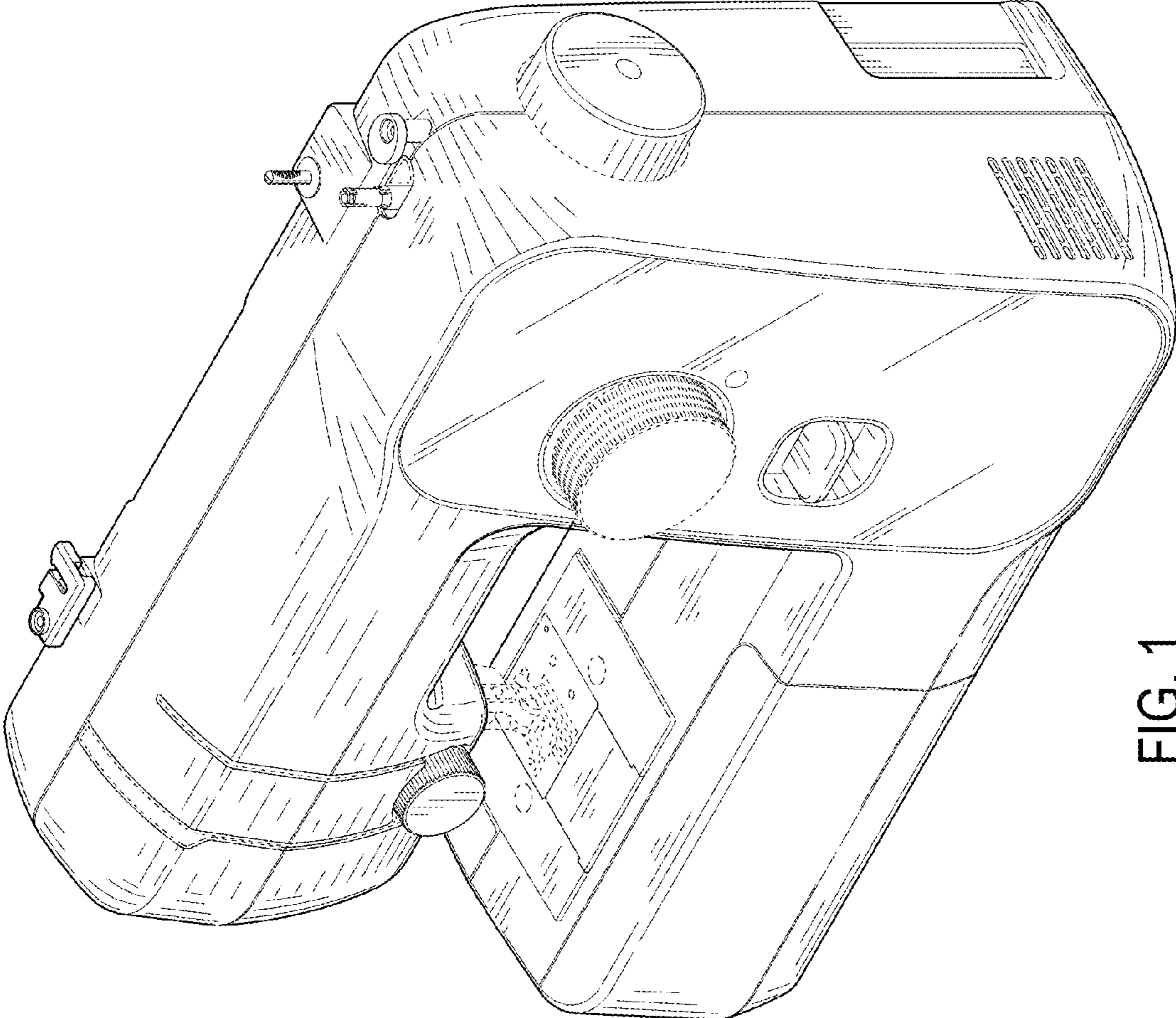


FIG. 1

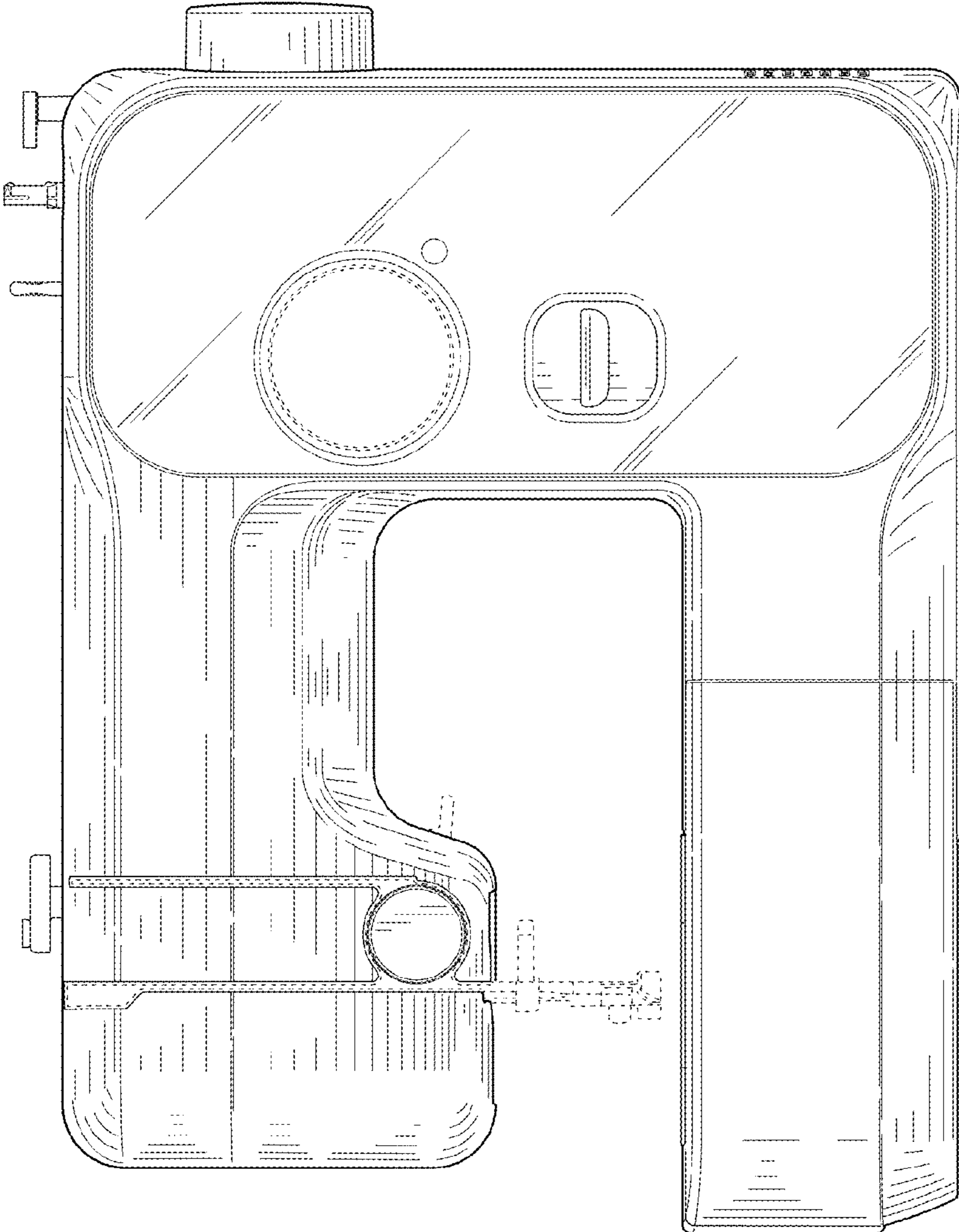


FIG. 2

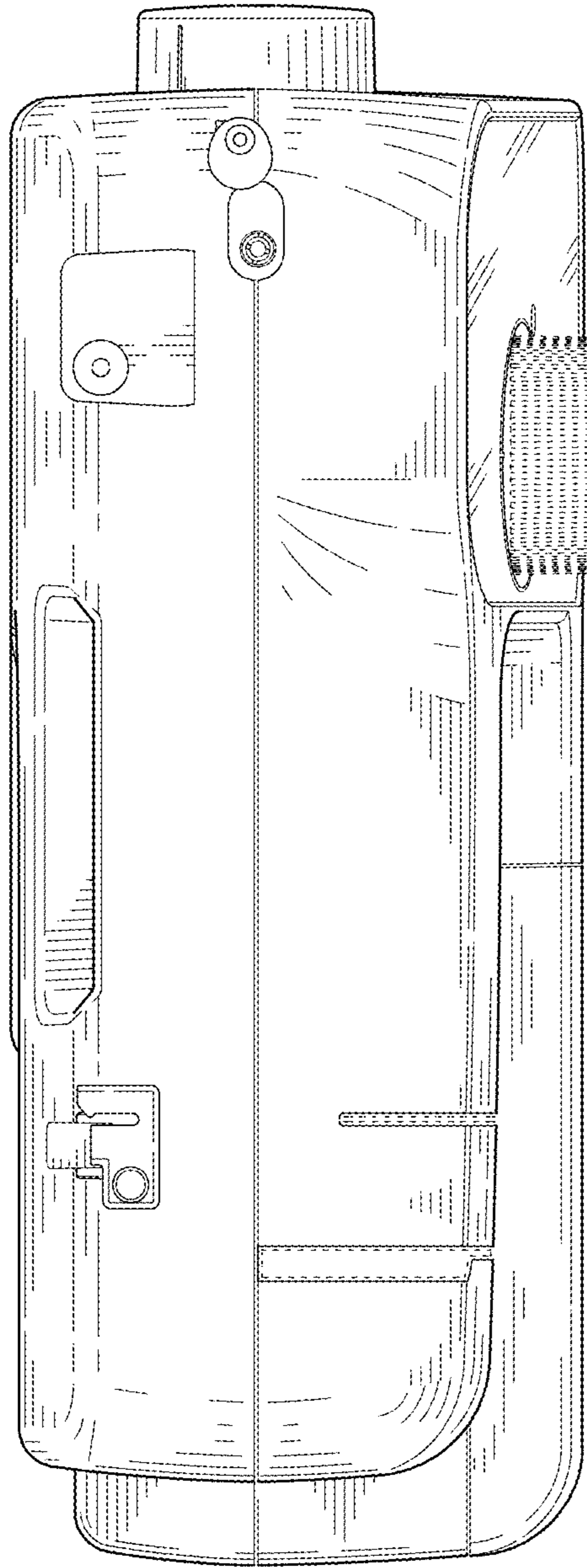


FIG. 3

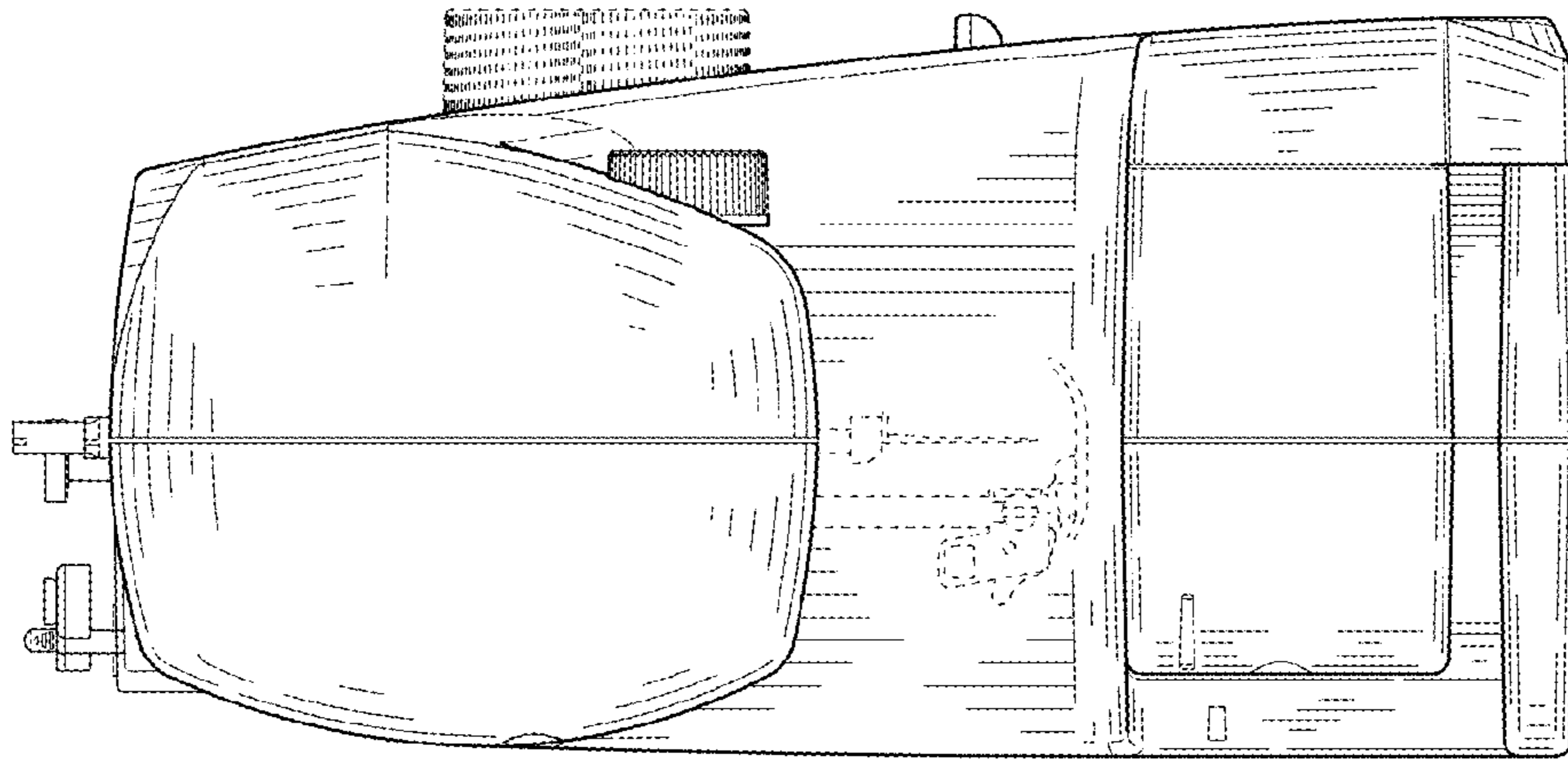


FIG. 5

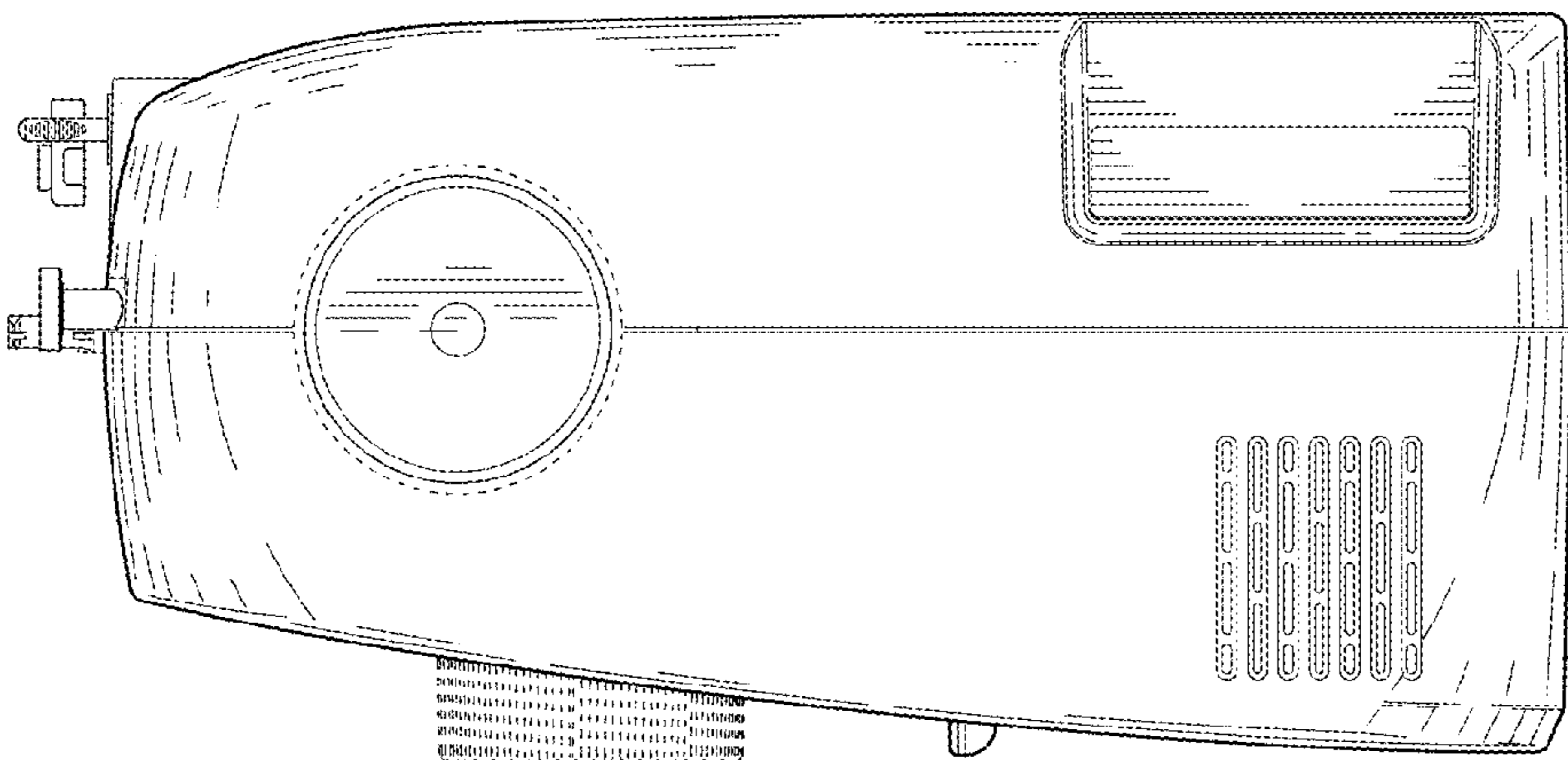


FIG. 4

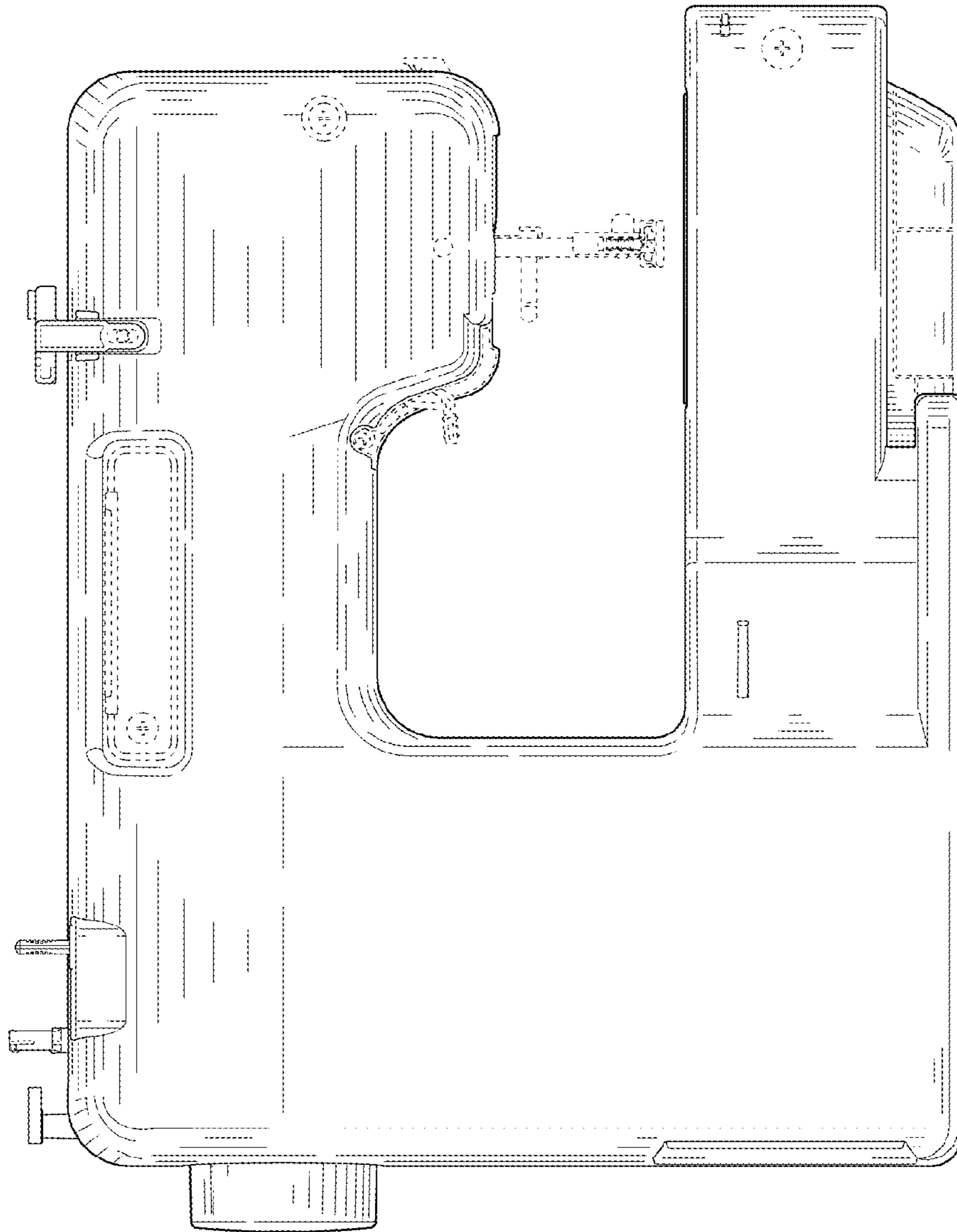


FIG. 6

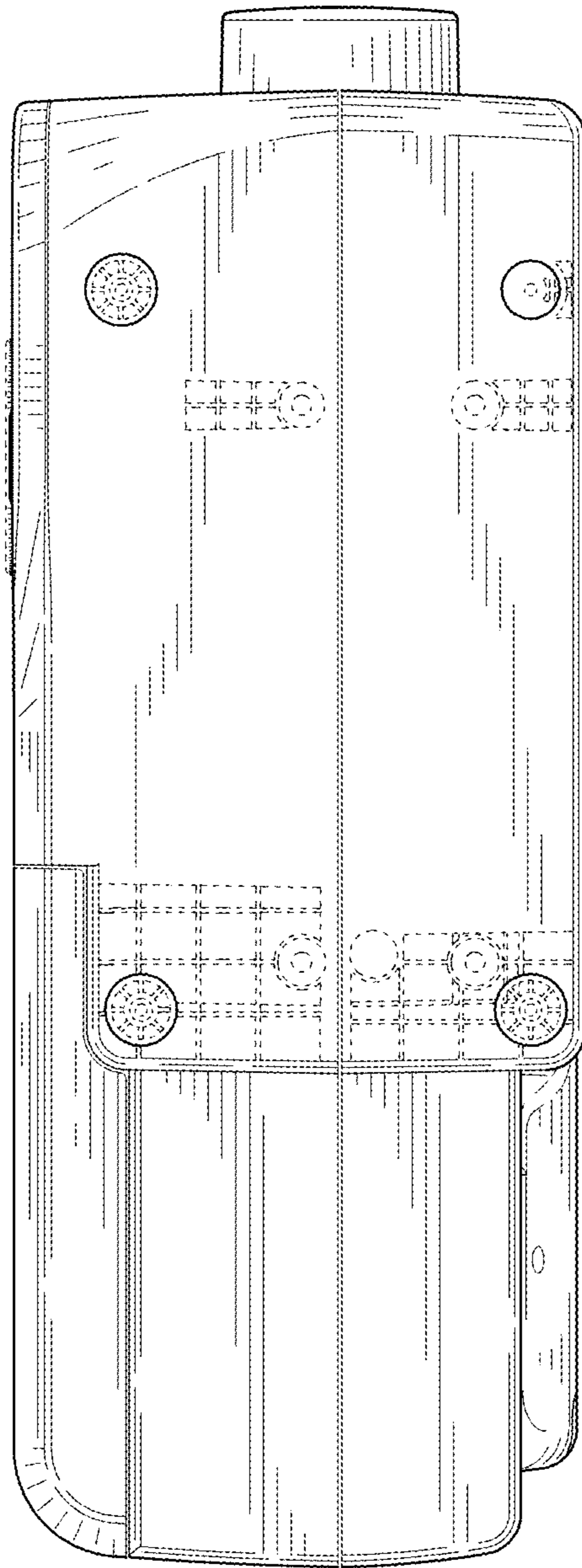


FIG. 7