

US00D760812S

(12) **United States Design Patent**
Roemer et al.

(10) **Patent No.:** **US D760,812 S**
(45) **Date of Patent:** **** Jul. 5, 2016**

(54) **SIDE PLATE FOR A ROAD ROLLER**

(71) Applicant: **HAMM AG**, Tirschenreuth (DE)

(72) Inventors: **Axel Roemer**, Tirschenreuth (DE);
Detlef Bornemann, Tirschenreuth (DE);
Ulrich Ewringmann, Taufkirchen (DE);
Boris Eickhoff, Taufkirchen (DE)

(73) Assignee: **HAMM AG**, Tirschenreuth (DE)

(**) Term: **14 Years**

(21) Appl. No.: **29/521,394**

(22) Filed: **Mar. 23, 2015**

(30) **Foreign Application Priority Data**

Sep. 24, 2014 (EM) 001421473-0011

(51) **LOC (10) Cl.** **15-03**

(52) **U.S. Cl.**
USPC **D15/28**

(58) **Field of Classification Search**
USPC D15/10, 22-28, 33, 20; 180/12, 20,
180/89.12; 404/121, 122, 124, 125, 128,
404/129; 296/190.1, 190.01, 190.08;
405/271; 172/115
CPC E02D 3/026; E02D 3/00; B30B 15/00
See application file for complete search history.

(56) **References Cited**

U.S. PATENT DOCUMENTS

D396,431 S * 7/1998 Lindgren D12/14
D516,094 S * 2/2006 Dotsch D15/20
D573,611 S * 7/2008 Geier D15/20

D589,067 S * 3/2009 Yamamoto D15/20
D611,505 S * 3/2010 Loew D15/20
D611,506 S * 3/2010 Loew D15/20
D657,397 S * 4/2012 Loew D15/20
8,376,655 B2 * 2/2013 Marsolek E01C 19/26
404/103
D678,917 S * 3/2013 Hagura D15/28
D678,918 S * 3/2013 Hagura D15/28
D694,278 S * 11/2013 Ewringmann D15/20
D694,279 S * 11/2013 Ewringmann D15/20
D695,793 S * 12/2013 Ewringmann D15/20
D699,764 S * 2/2014 Loew D15/20
D742,937 S * 11/2015 Ewringmann D15/20

* cited by examiner

Primary Examiner — Mark Goodwin

(74) *Attorney, Agent, or Firm* — Greer, Burns & Crain, Ltd.

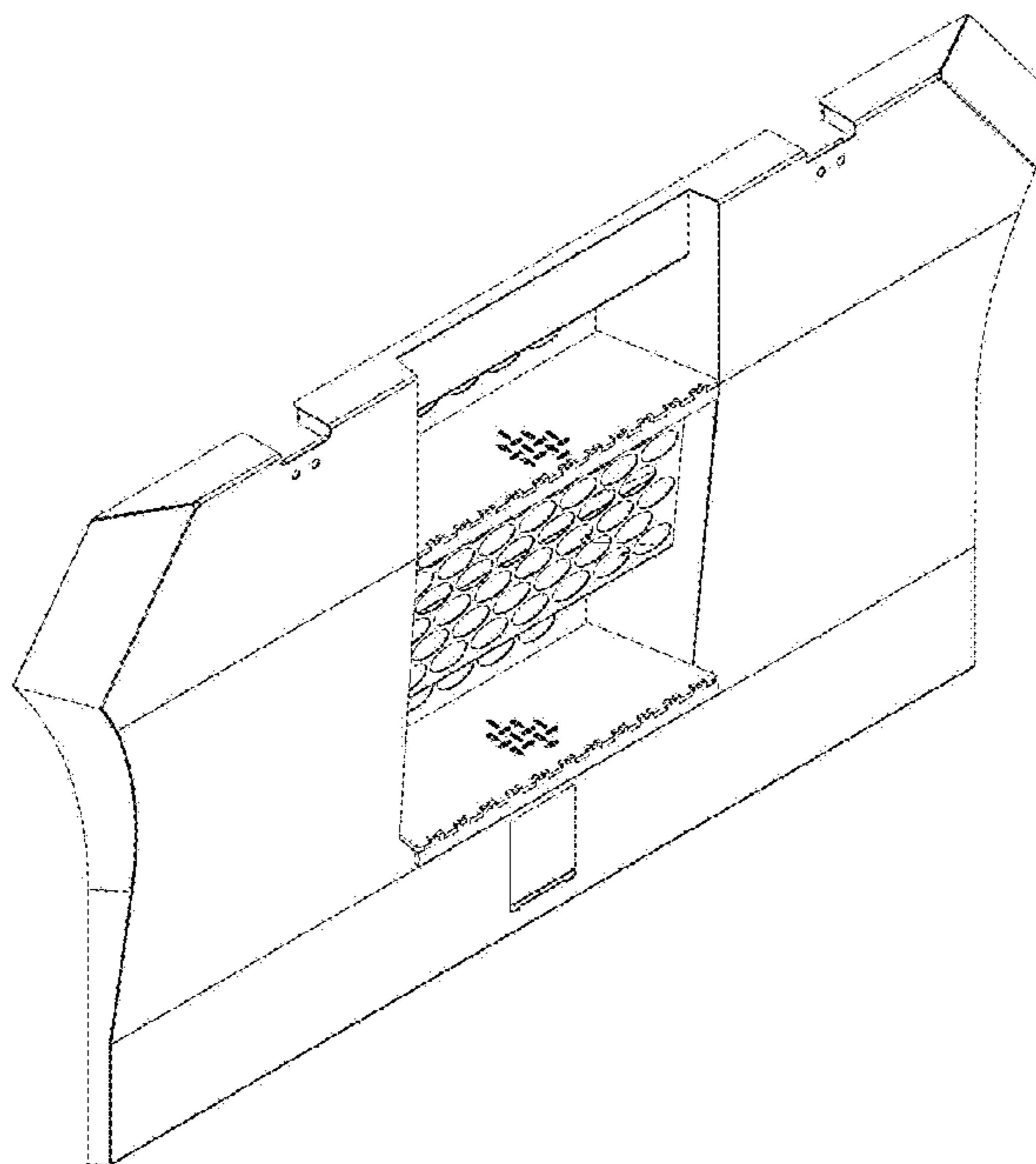
(57) **CLAIM**

The ornamental design for side plate for a road roller, as shown and described.

DESCRIPTION

FIG. 1 is a top perspective view of the present side plate for a road roller;
FIG. 2 is a another top perspective view of same, from a different angle;
FIG. 3 is a front view of the present side plate for a road roller;
FIG. 4 is a right side view of same;
FIG. 5 is a left side view of the present side plate for a road roller;
FIG. 6 is a top view of same; and,
FIG. 7 is a bottom view of the present side plate for a road roller.

1 Claim, 7 Drawing Sheets



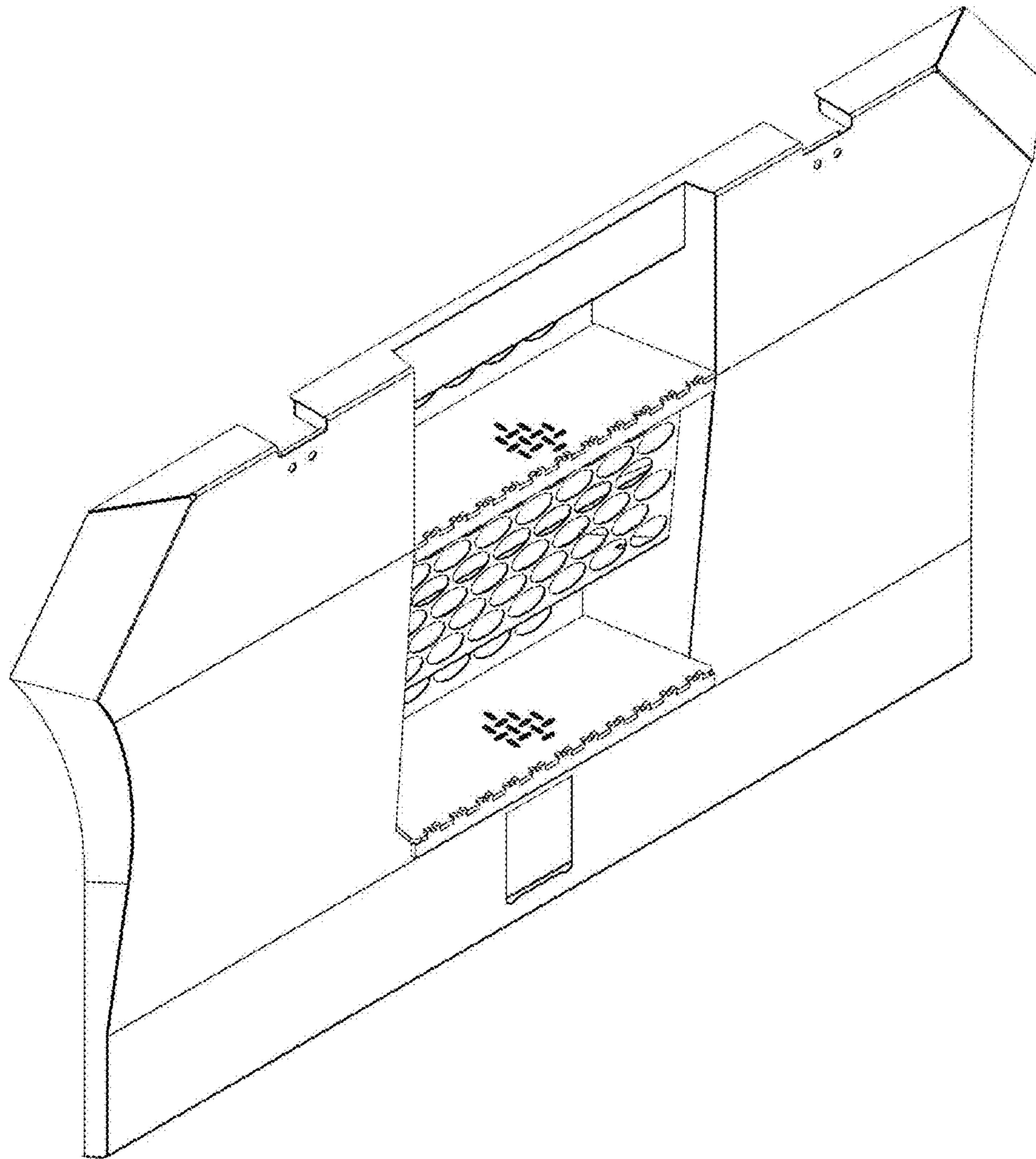


FIG. 1

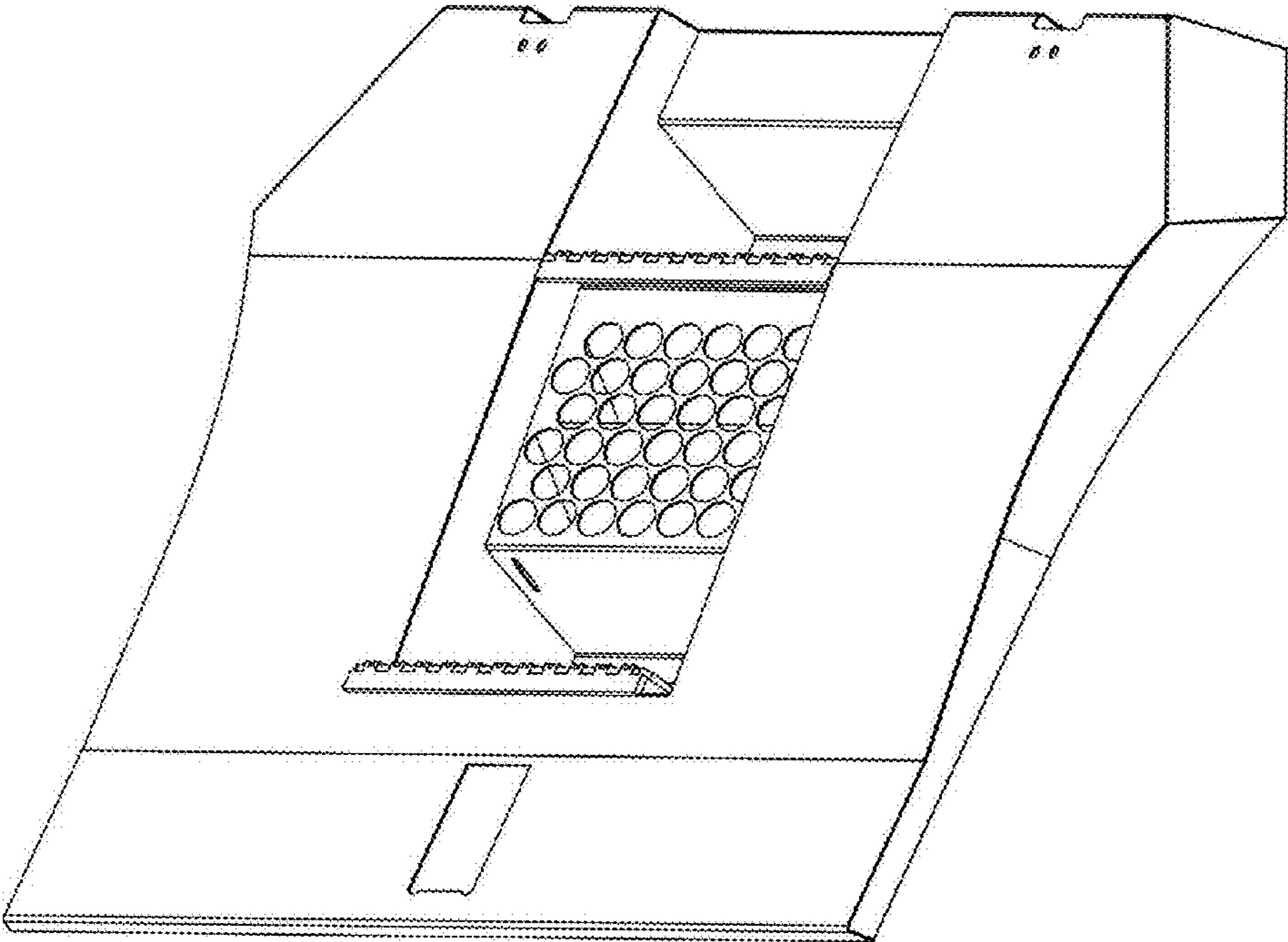


FIG. 2

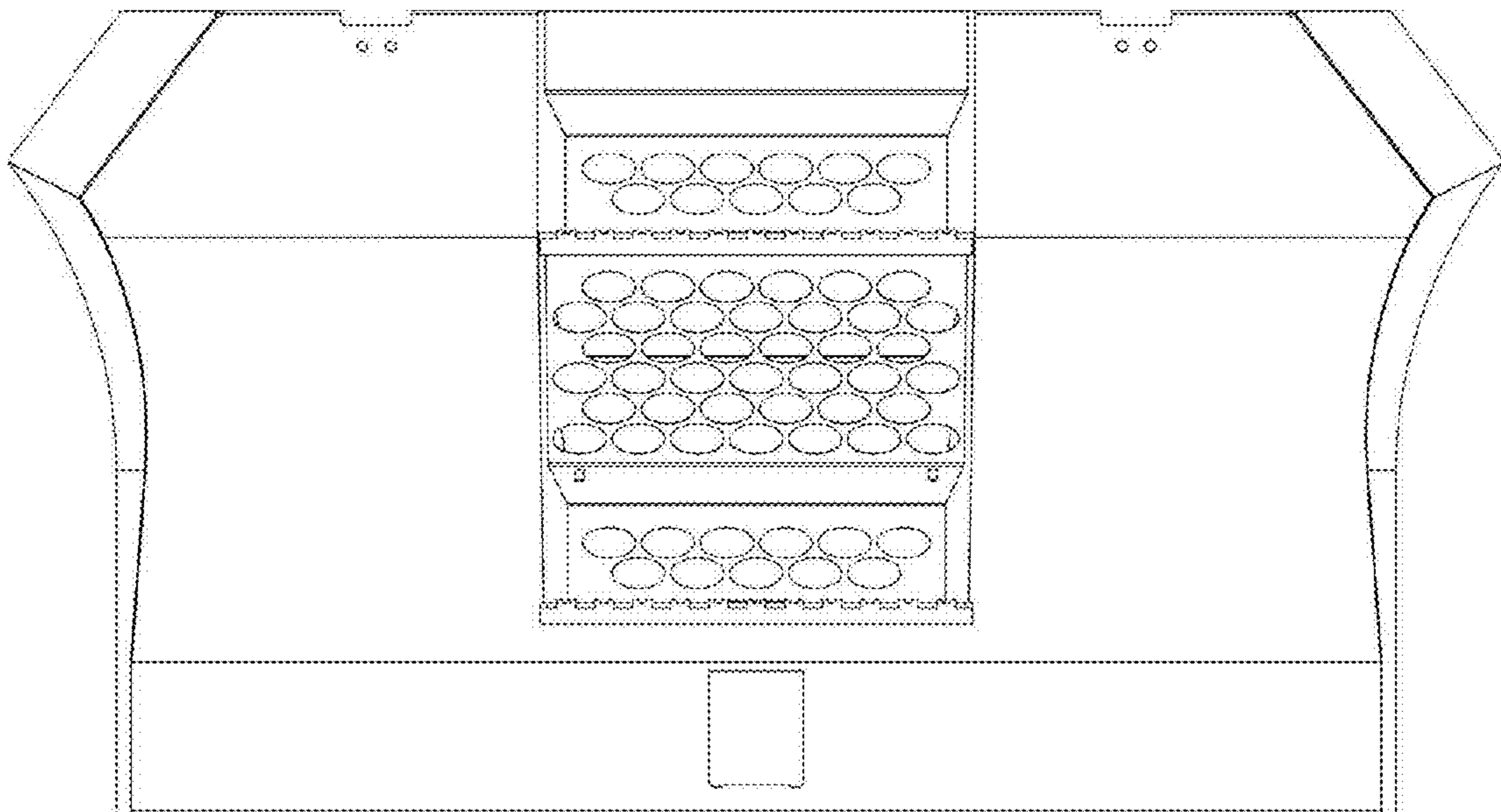


FIG. 3

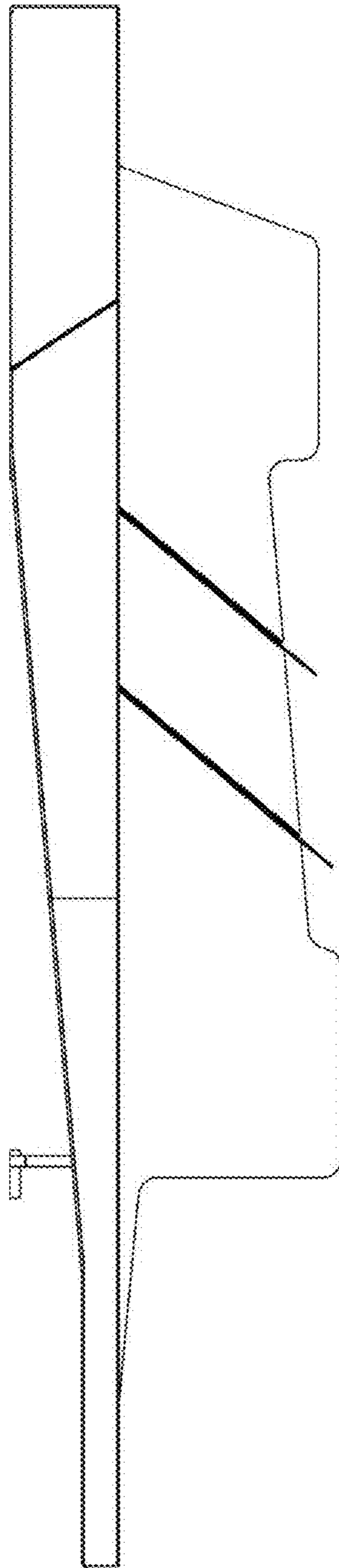


FIG. 4

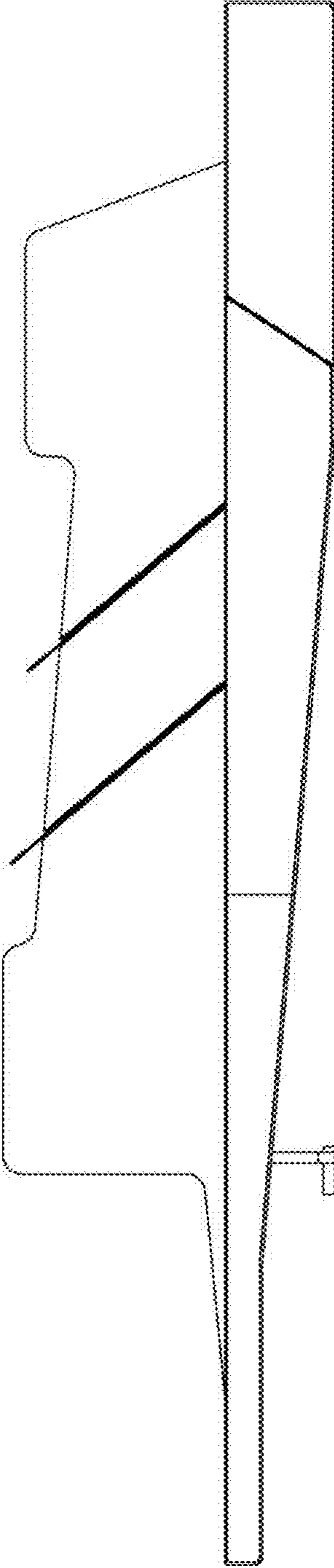


FIG. 5

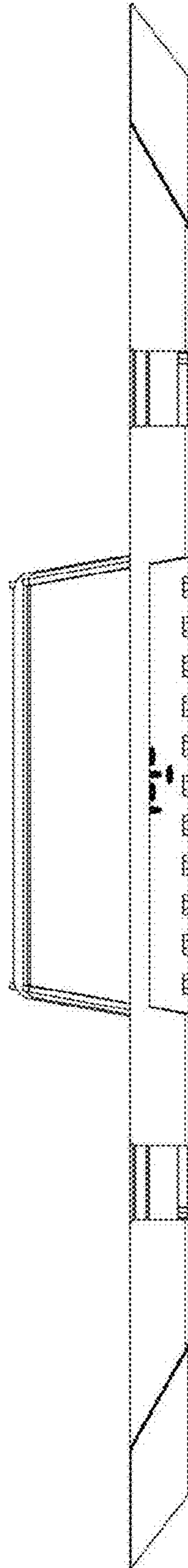


FIG. 6

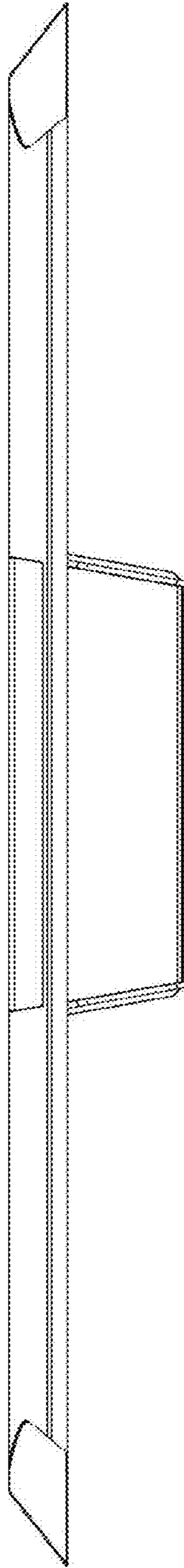


FIG. 7