



US00D760811S

(12) **United States Design Patent**  
**Uchijima et al.**

(10) **Patent No.:** **US D760,811 S**

(45) **Date of Patent:** **\*\* Jul. 5, 2016**

(54) **BUCKET WORK MACHINE FOR A LOADER**

(74) *Attorney, Agent, or Firm* — The Webb Law Firm

(71) Applicant: **Kubota Corporation**, Osaka-shi (JP)

(57) **CLAIM**

The ornamental design for a bucket work machine for a loader, as shown and described.

(72) Inventors: **Akiyoshi Uchijima**, Sakai (JP); **Kosuke Oyama**, Sakai (JP)

(73) Assignee: **Kubota Corporation**, Osaka (JP)

**DESCRIPTION**

(\*\*) Term: **14 Years**

FIG. 1 is a front view of a bucket work machine for a loader showing our new design;

(21) Appl. No.: **29/519,202**

FIG. 2 is a rear view thereof;

(22) Filed: **Mar. 3, 2015**

FIG. 3 is a left side view thereof;

(30) **Foreign Application Priority Data**

Sep. 19, 2014 (JP) ..... 2014-020782

FIG. 4 is a right side view thereof;

(51) **LOC (10) Cl.** ..... **15-03**

FIG. 5 is a top view thereof;

(52) **U.S. Cl.**

USPC ..... **D15/28**

FIG. 6 is a bottom view thereof;

(58) **Field of Classification Search**

USPC ..... D15/10, 22-26, 28, 29, 32; 414/686, 414/694, 722, 718, 815, 723, 685, 724; 37/341, 407, 468

FIG. 7 is a front perspective view thereof;

CPC ..... E02F 9/2275; E02F 3/34; E02F 3/38; E02F 3/386; E02F 3/388; E02F 3/40; E02F 3/28; E02F 3/36; E02F 3/6273; E02F 3/627; E02F 3/432; E02F 3/422; E02F 3/3408; E02F 3/382; A01D 87/0069; B66C 23/00

FIG. 8 is a rear perspective view thereof;

See application file for complete search history.

FIG. 9 is an enlarged front view of a portion thereof;

(56) **References Cited**

**U.S. PATENT DOCUMENTS**

2,645,369 A 7/1953 Allan  
3,203,564 A 8/1965 Brekelbaum et al.

FIG. 10 is an enlarged front perspective view of a portion thereof;

(Continued)

**FOREIGN PATENT DOCUMENTS**

DE 10162016 A1 7/2003  
EP 1903147 A2 3/2008

FIG. 11 is an enlarged rear perspective view of a portion thereof;

FIG. 12 is an enlarged cross-sectional view of a portion thereof taken along lines 12-12 shown in FIG. 9;

FIG. 13 is a reference perspective view of a link member thereof;

FIG. 14 is an enlarged front perspective view of a portion thereof including a grayish portion;

FIG. 15 is an enlarged rear perspective view of a portion thereof including a grayish portion;

FIG. 16 is a partially vertically cutaway referential view of a crosswise intermediate portion of the front view thereof; and, FIG. 17 is a reference perspective view thereof showing a condition in use.

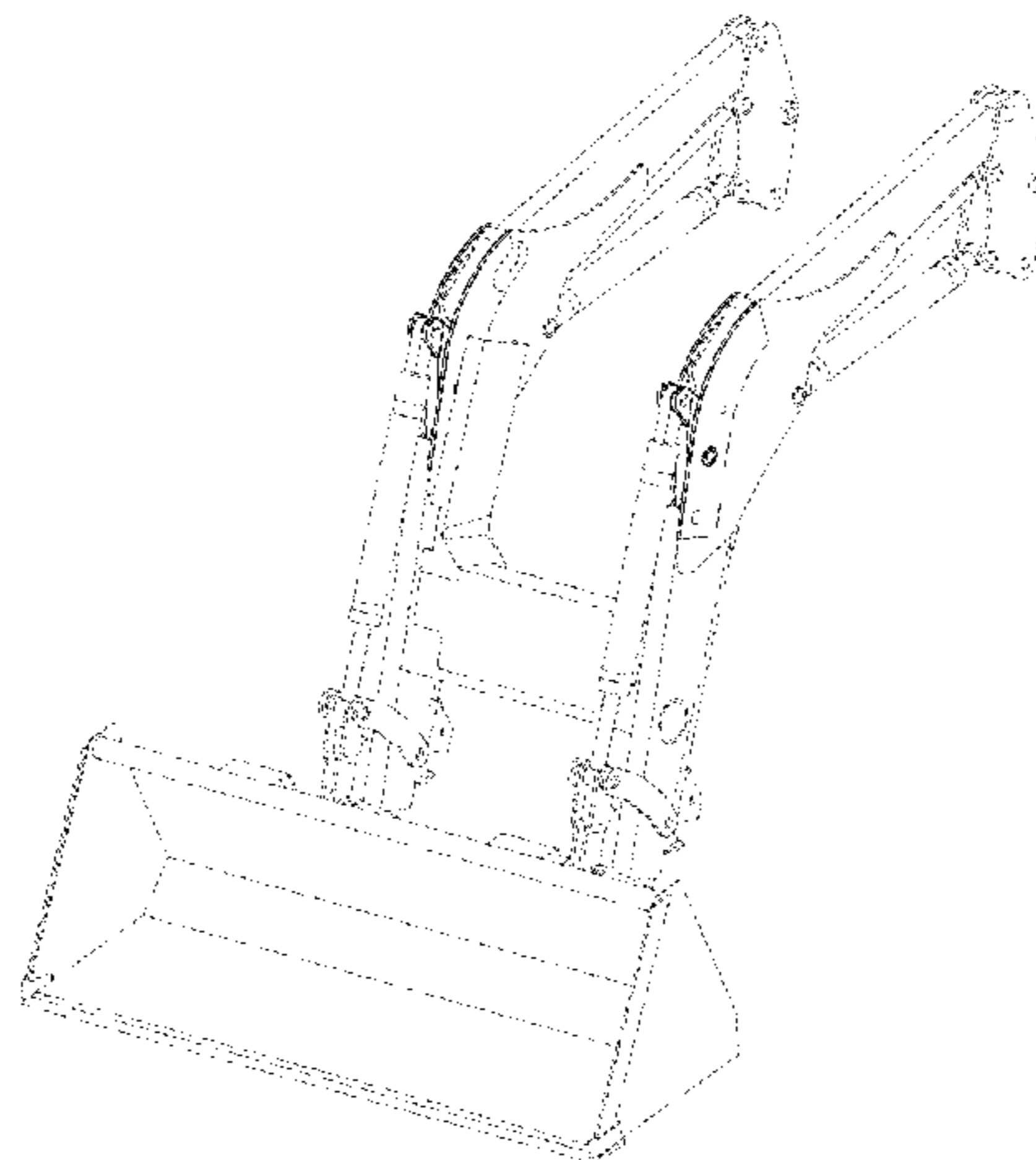
The broken line showings of FIGS. 1-17 are environmental only and not part of the claimed design.

The dashed-dotted line showings of FIGS. 1, 2, 7-11, 14 and 15 illustrate boundaries between the claimed design and environmental features and form no part of the claimed design.

FIG. 14 and FIG. 15 each include a grayish portion, the grayish portion is a portion for which partial design protection is sought.

*Primary Examiner* — Mark Goodwin

**1 Claim, 17 Drawing Sheets**



(56)

References Cited

U.S. PATENT DOCUMENTS

3,722,724 A 3/1973 Blakely  
 4,798,512 A \* 1/1989 Intveld ..... E02F 3/3411  
 414/697  
 4,825,568 A 5/1989 Kawamura et al.  
 6,386,821 B1 \* 5/2002 Schneider ..... E02F 3/6273  
 172/274  
 D528,569 S \* 9/2006 Nilsson ..... D15/32  
 D533,883 S \* 12/2006 Higashikawa ..... D15/32  
 D535,667 S \* 1/2007 Higashikawa ..... D15/32  
 7,354,237 B2 \* 4/2008 Frey ..... E02F 3/38  
 414/686  
 D584,749 S \* 1/2009 Smith ..... D15/28  
 D595,746 S \* 7/2009 Iida ..... D15/28  
 D598,031 S \* 8/2009 Smith ..... D15/28  
 7,568,878 B2 \* 8/2009 Frey ..... E02F 3/34  
 414/686  
 D610,172 S \* 2/2010 Yukino ..... D15/28  
 D628,604 S \* 12/2010 Major ..... D15/28  
 D629,019 S \* 12/2010 Major ..... D15/28  
 D646,302 S \* 10/2011 Lanting ..... D15/28

D646,303 S \* 10/2011 Lanting ..... D15/28  
 D646,306 S \* 10/2011 Bradley ..... D15/28  
 D649,170 S \* 11/2011 Barba ..... D15/28  
 D649,171 S \* 11/2011 Barba ..... D15/28  
 D654,514 S \* 2/2012 Jamieson ..... D15/28  
 D656,164 S \* 3/2012 Nilsson ..... D15/28  
 D656,523 S \* 3/2012 Nilsson ..... D15/28  
 D661,713 S \* 6/2012 Marchesan ..... D15/28  
 D671,147 S \* 11/2012 Nakamura ..... D15/28  
 D672,371 S \* 12/2012 Nakamura ..... D15/28  
 D672,372 S \* 12/2012 Nilsson ..... D15/28  
 D672,373 S \* 12/2012 Nilsson ..... D15/28  
 D672,791 S \* 12/2012 Nakamura ..... D15/28  
 D676,065 S \* 2/2013 Attwood ..... D15/28  
 D678,919 S \* 3/2013 Bradley ..... D15/28  
 D686,642 S \* 7/2013 Urase ..... D15/28  
 8,845,265 B2 \* 9/2014 Oyama ..... E02F 3/3417  
 414/700  
 D739,446 S \* 9/2015 Nilsson ..... D15/32  
 D746,877 S \* 1/2016 Bradley ..... D15/28  
 2010/0119344 A1 \* 5/2010 Nabata ..... E02F 3/38  
 414/722

\* cited by examiner

FIG. 1

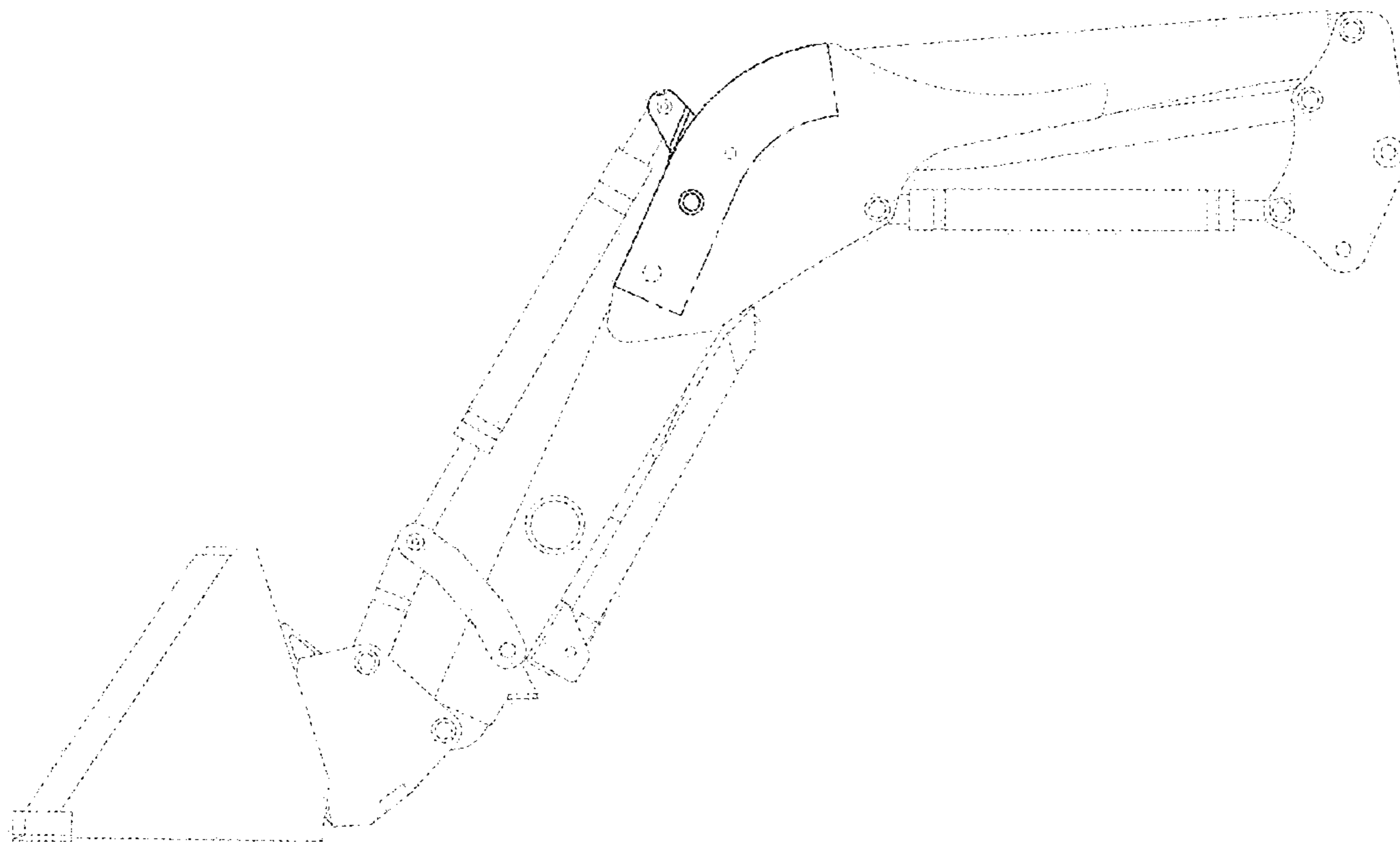


FIG. 2

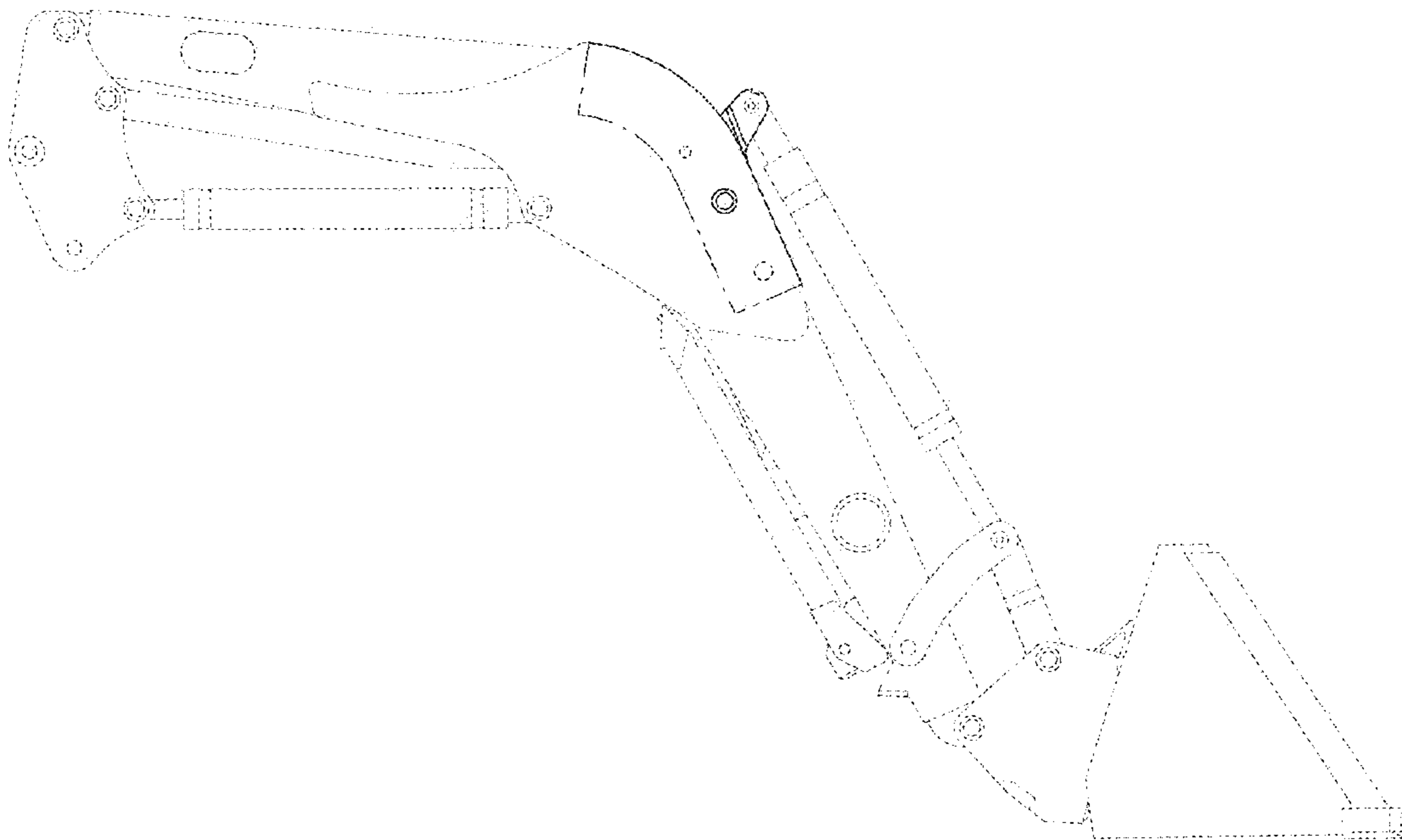


FIG. 3

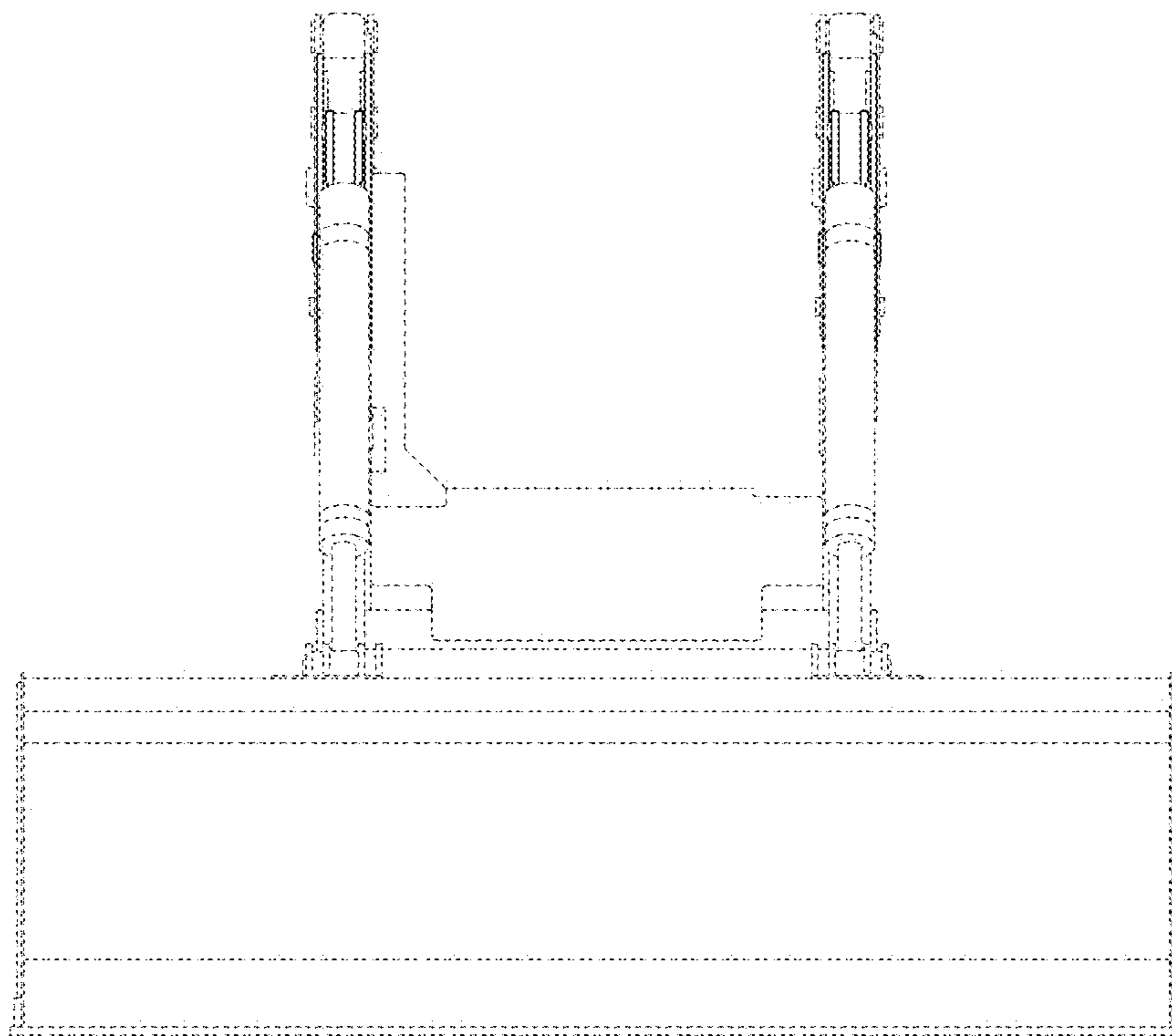


FIG. 4

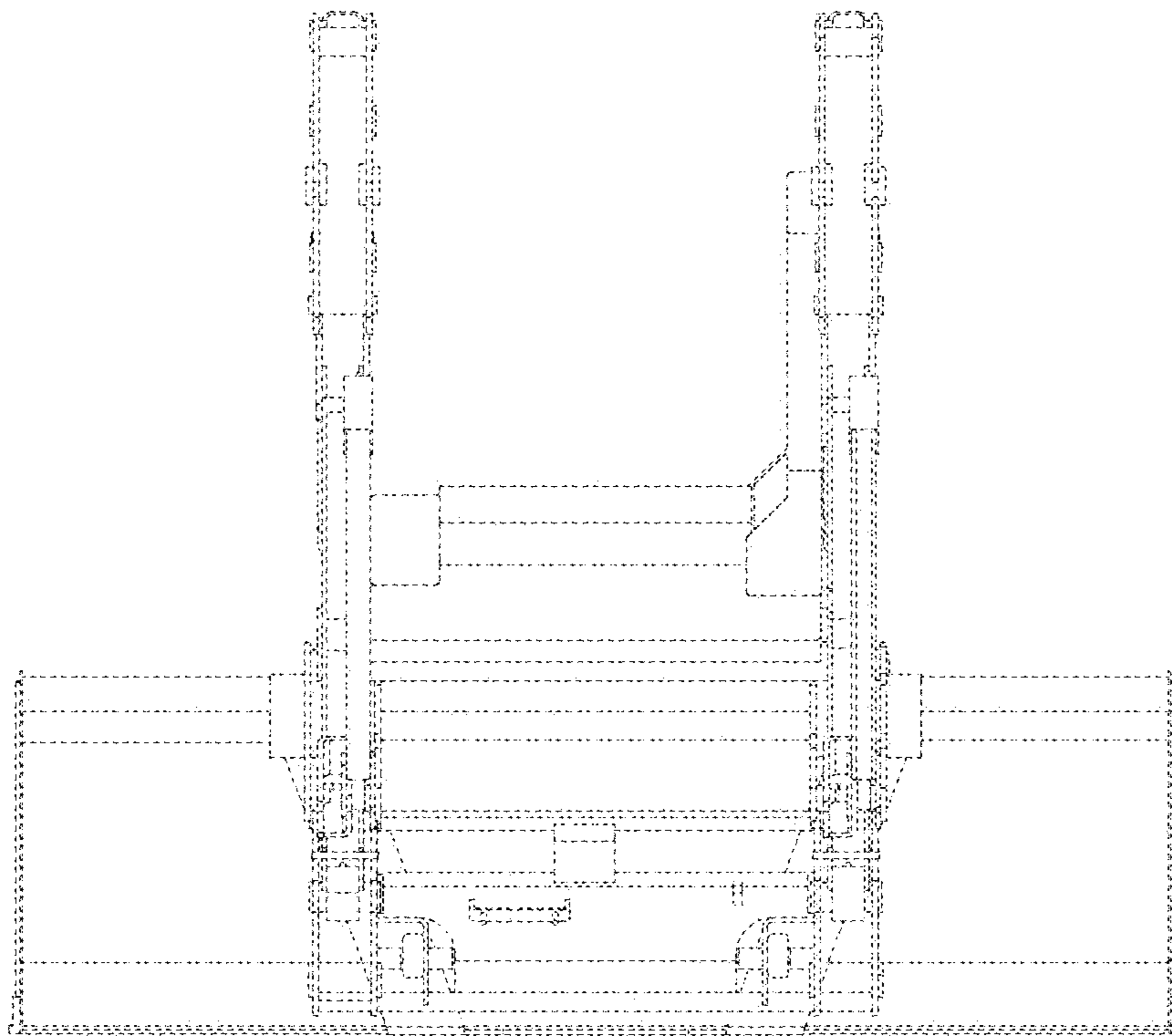


FIG. 5

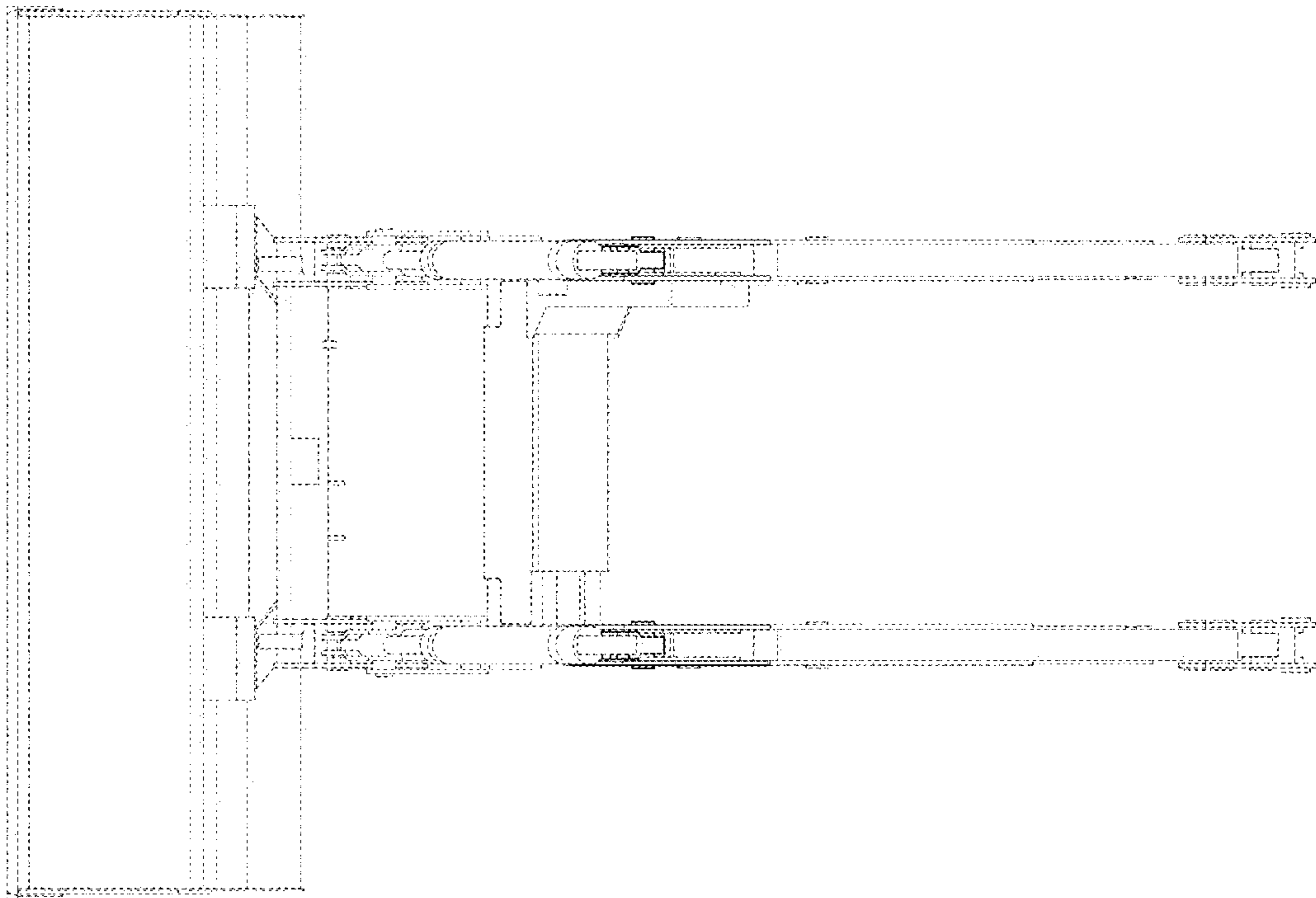


FIG. 6

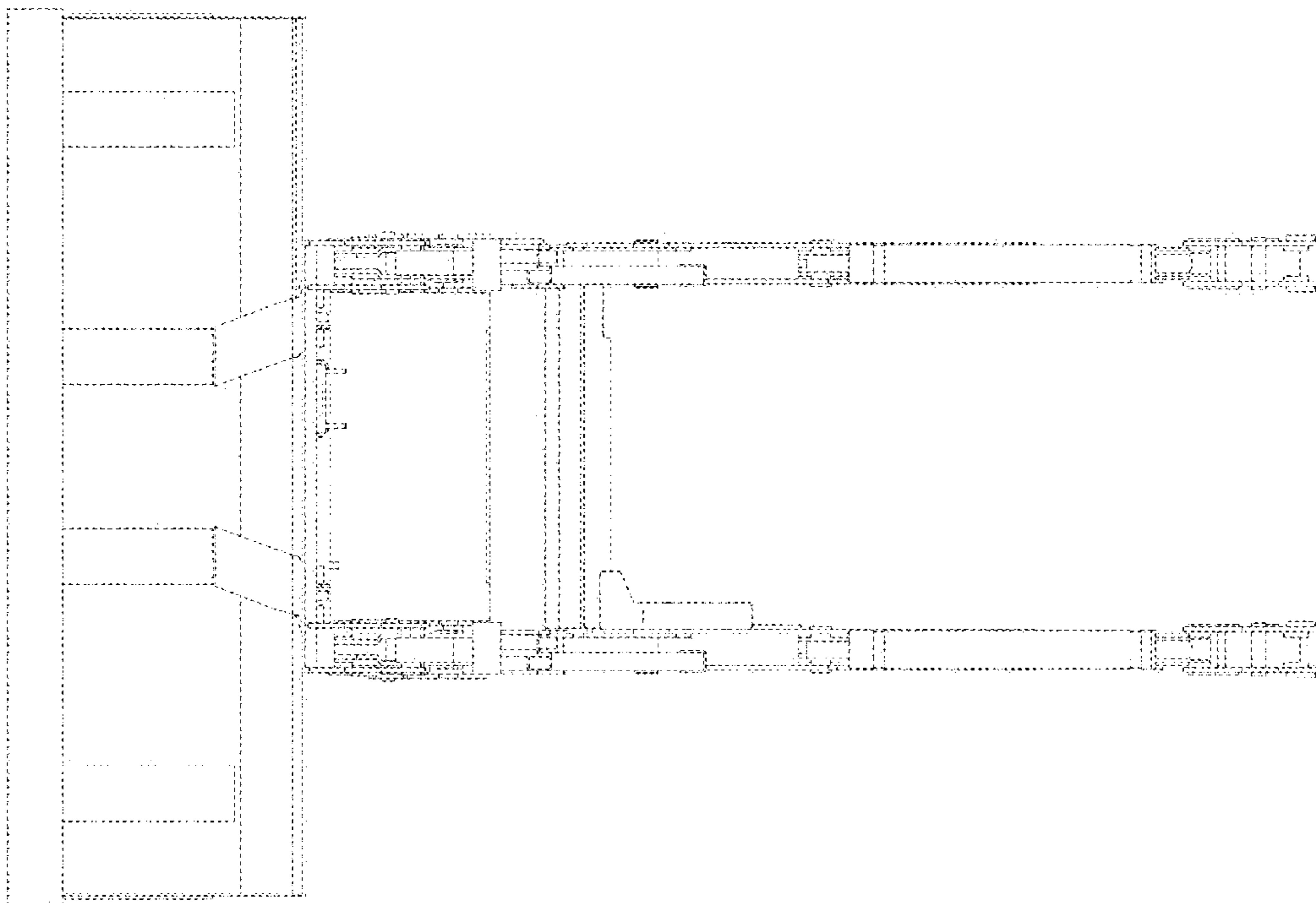




FIG. 7

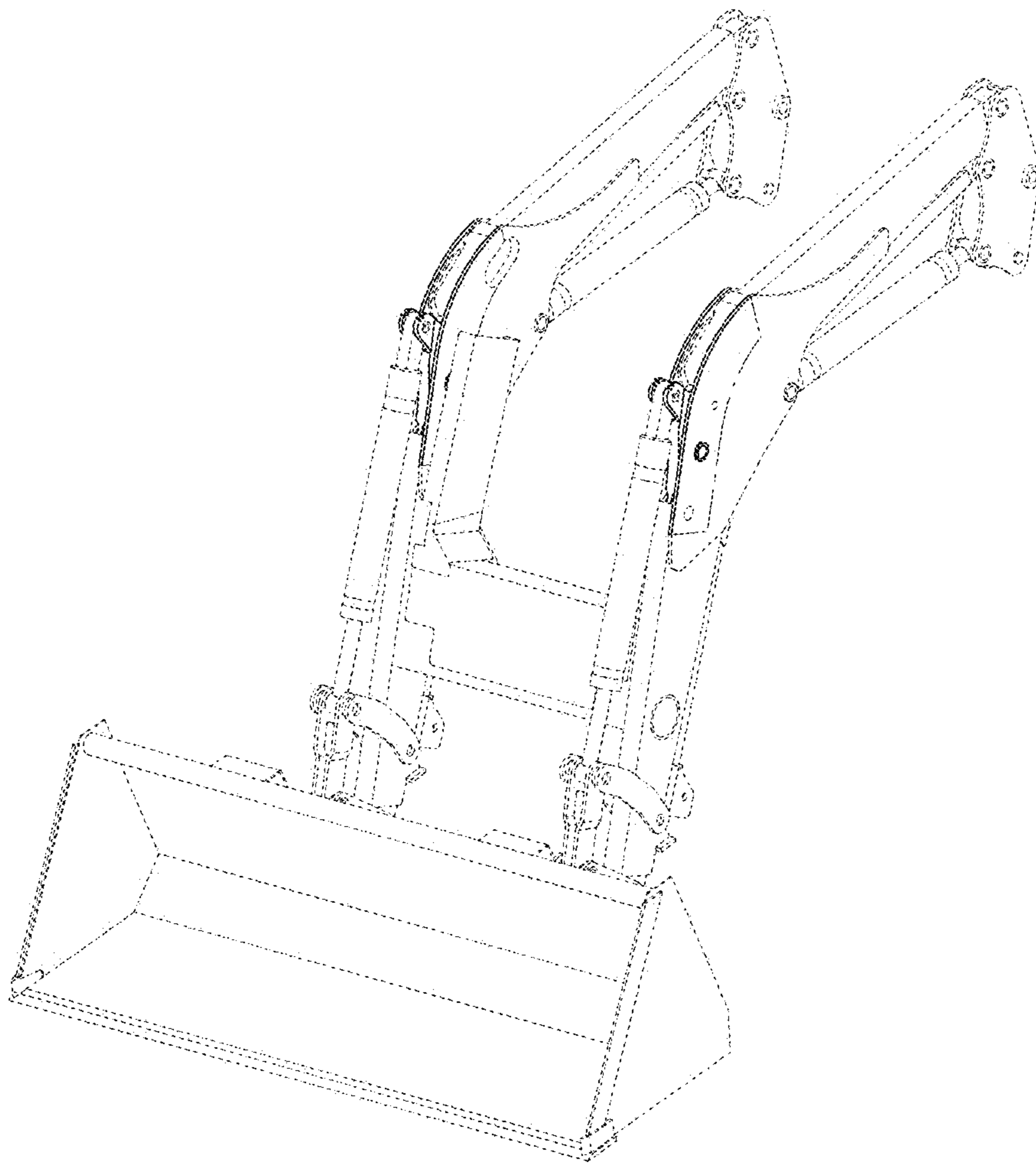


FIG. 8

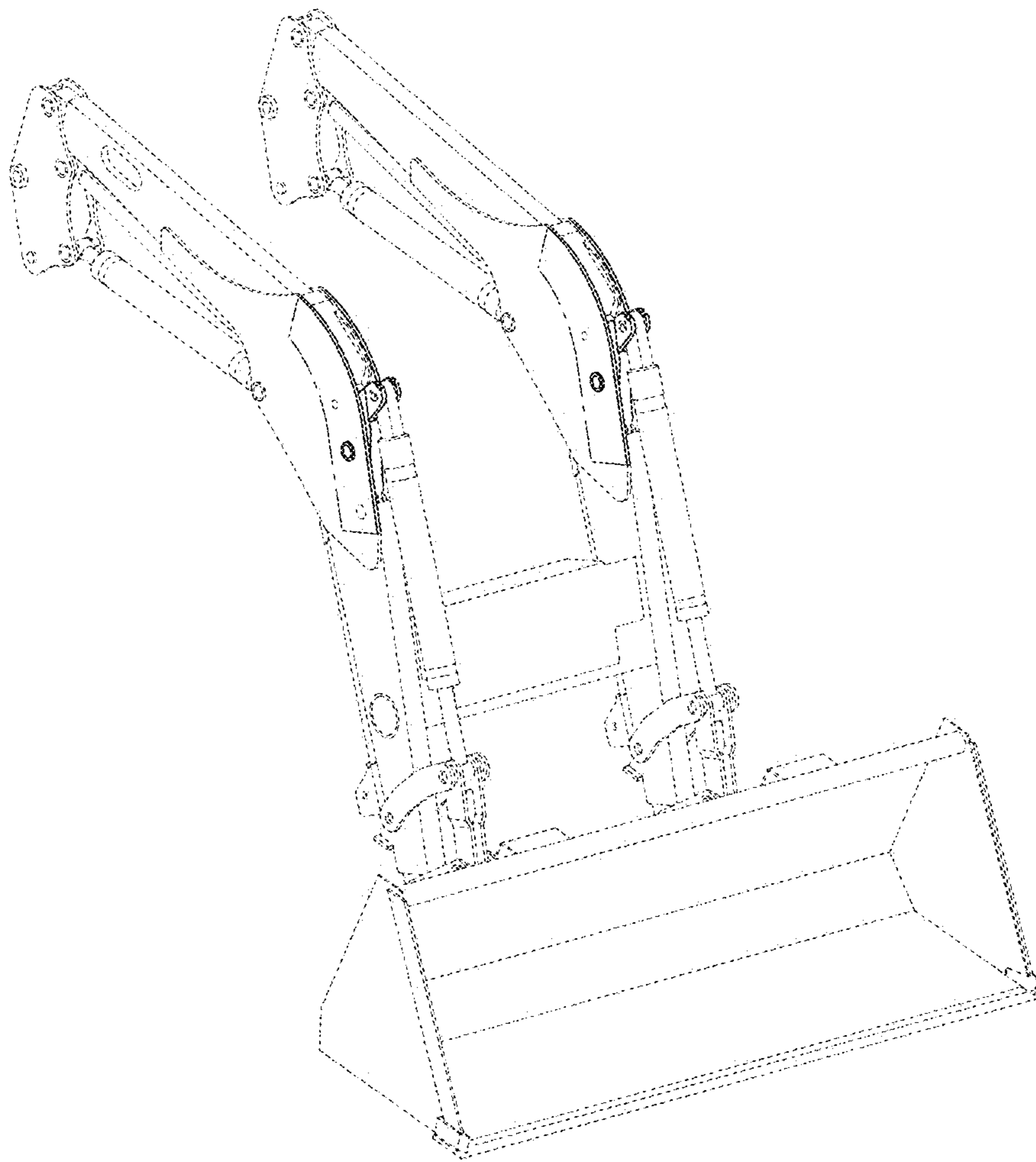


FIG. 9

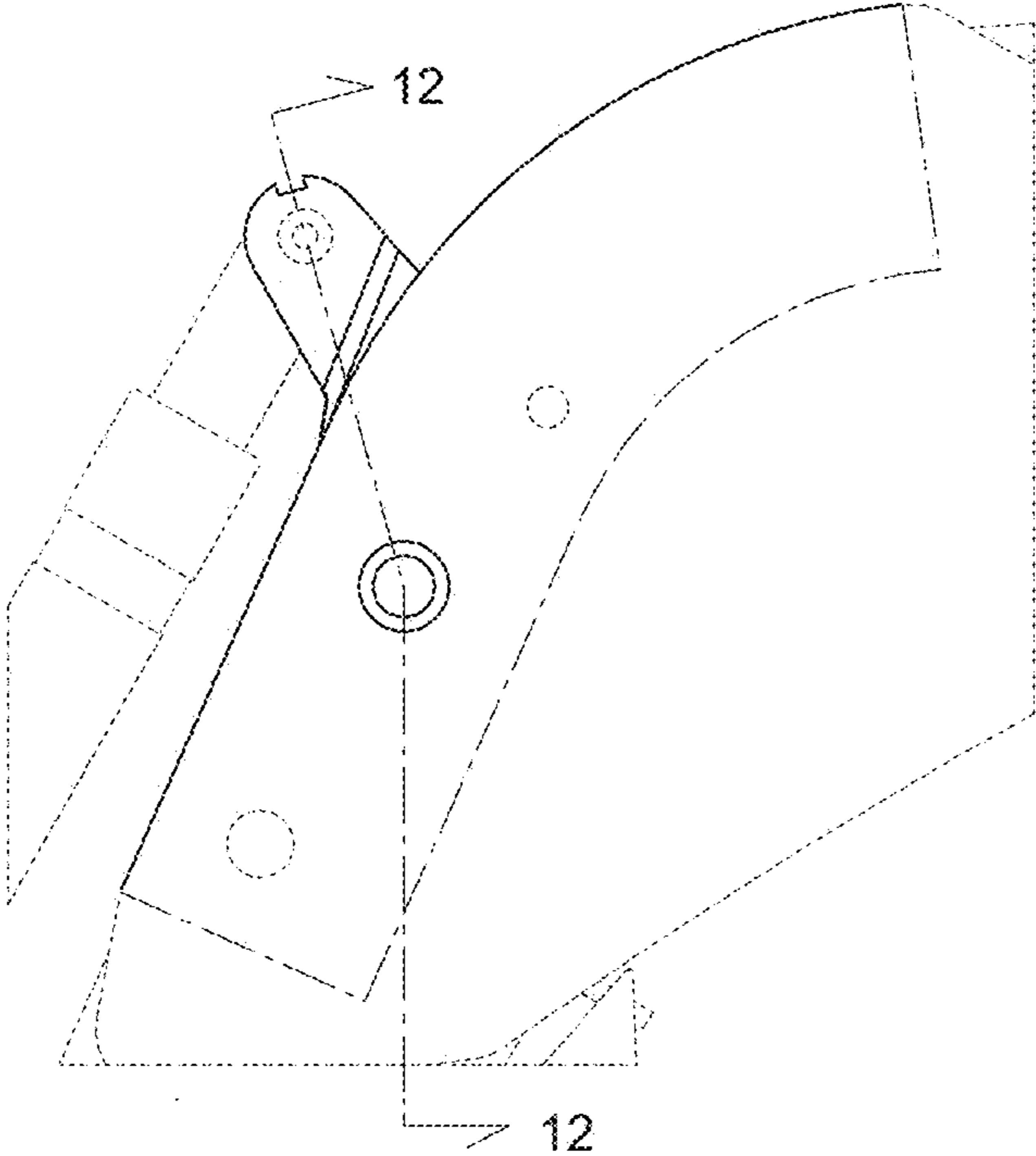


FIG. 10

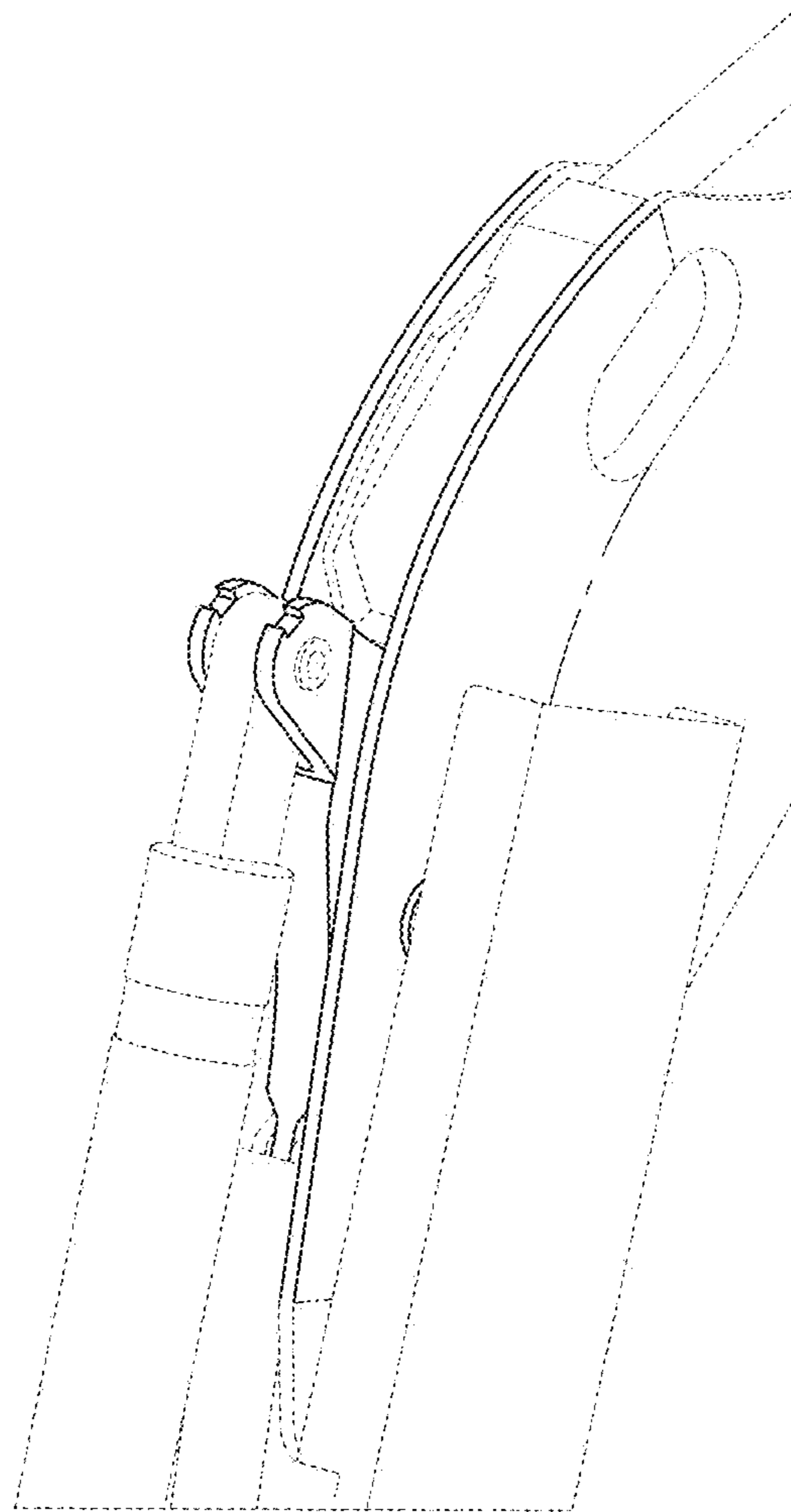


FIG. 11

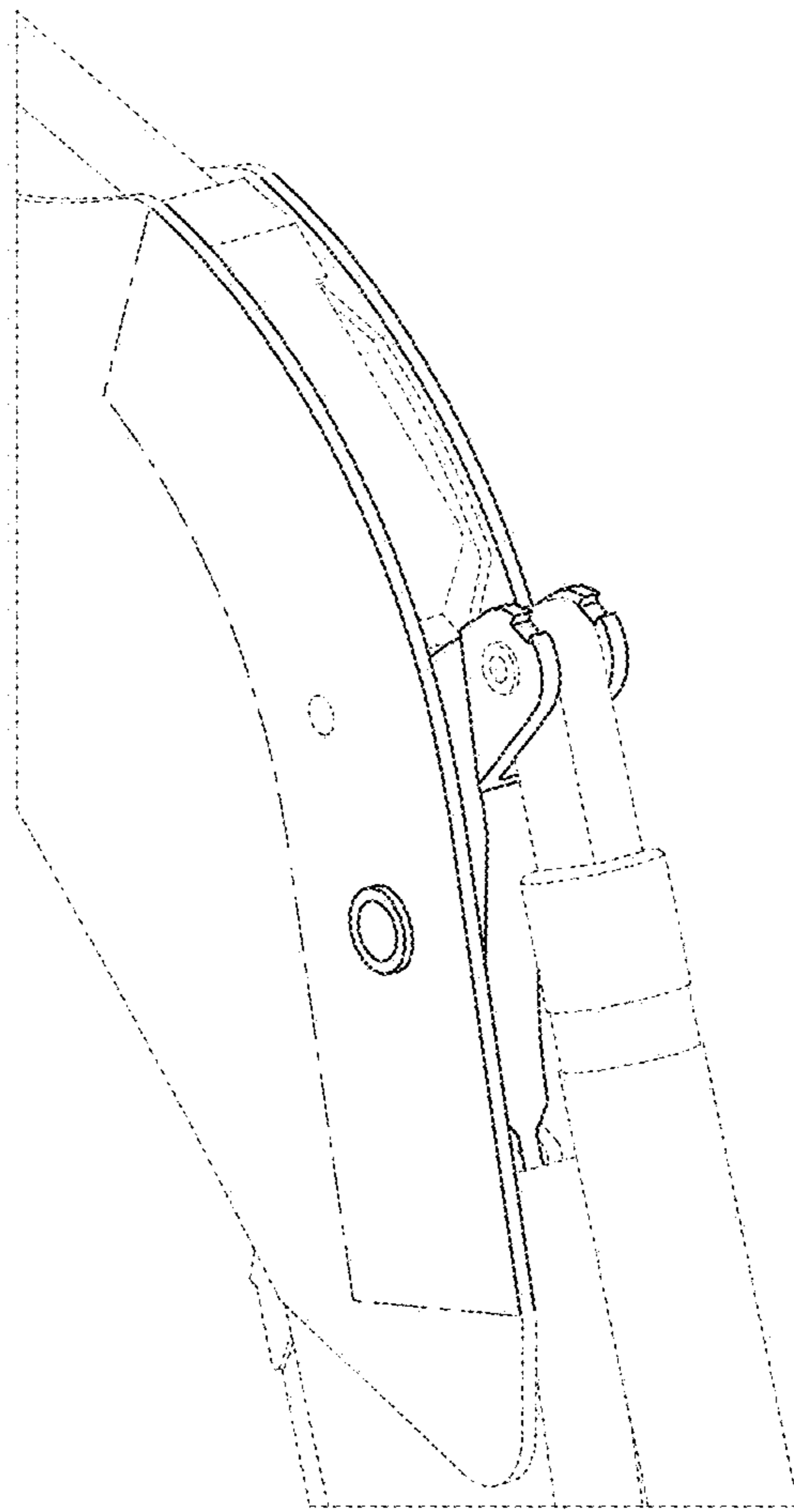


FIG. 12

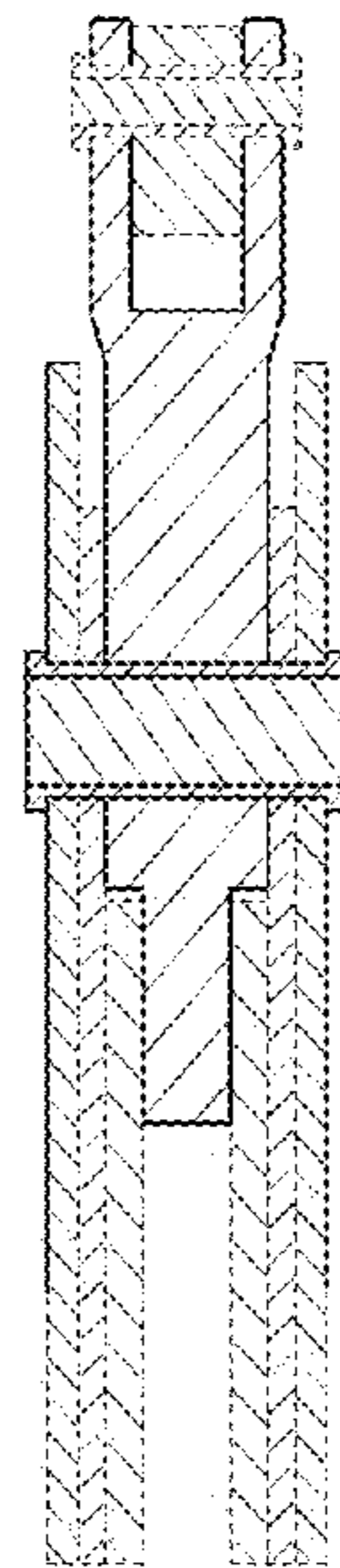
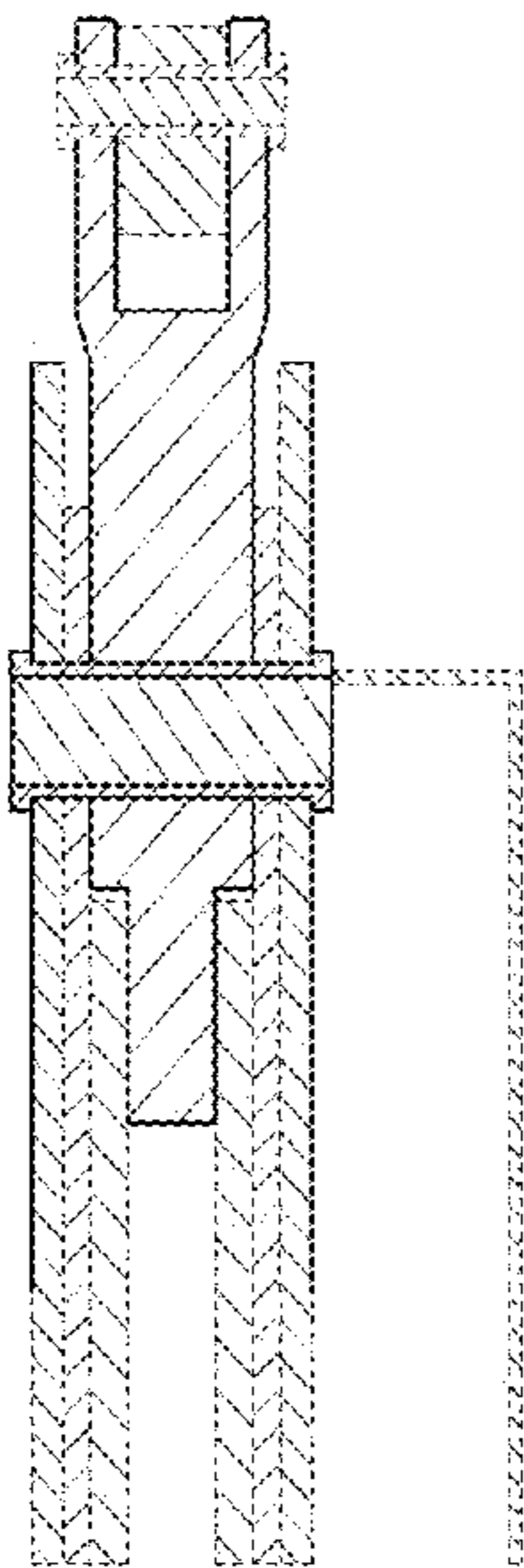


FIG. 13

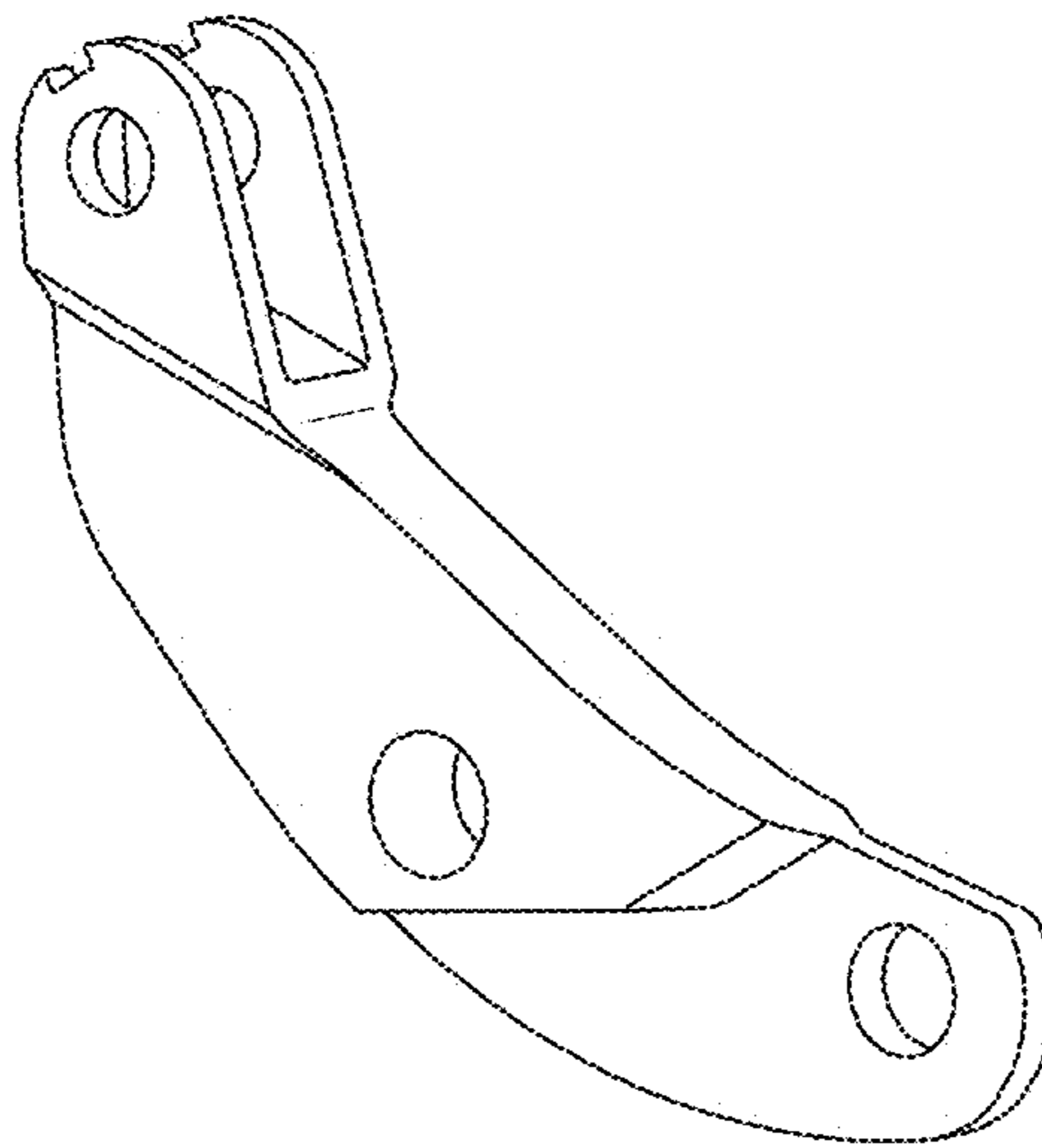


FIG. 14

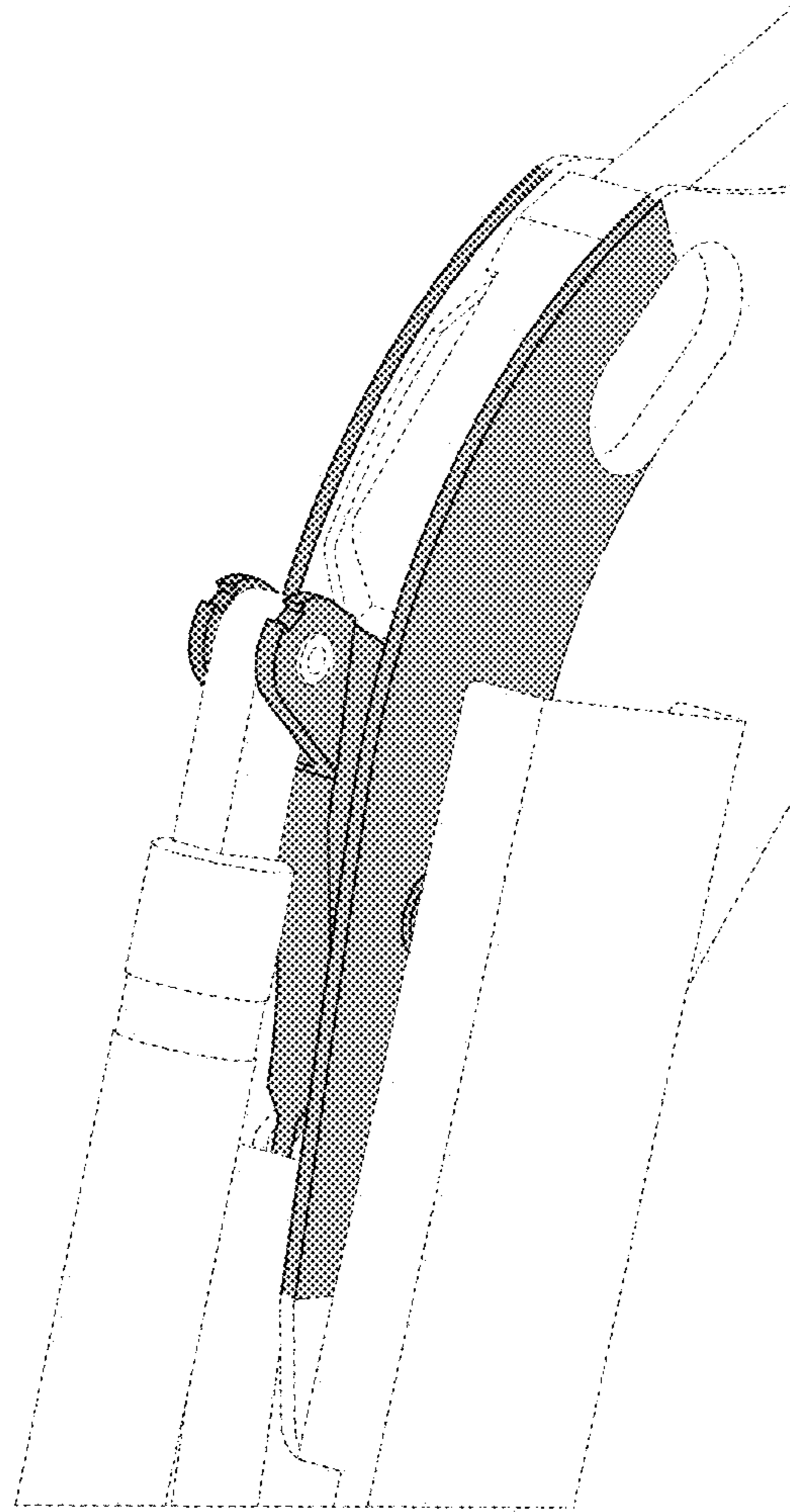




FIG. 15

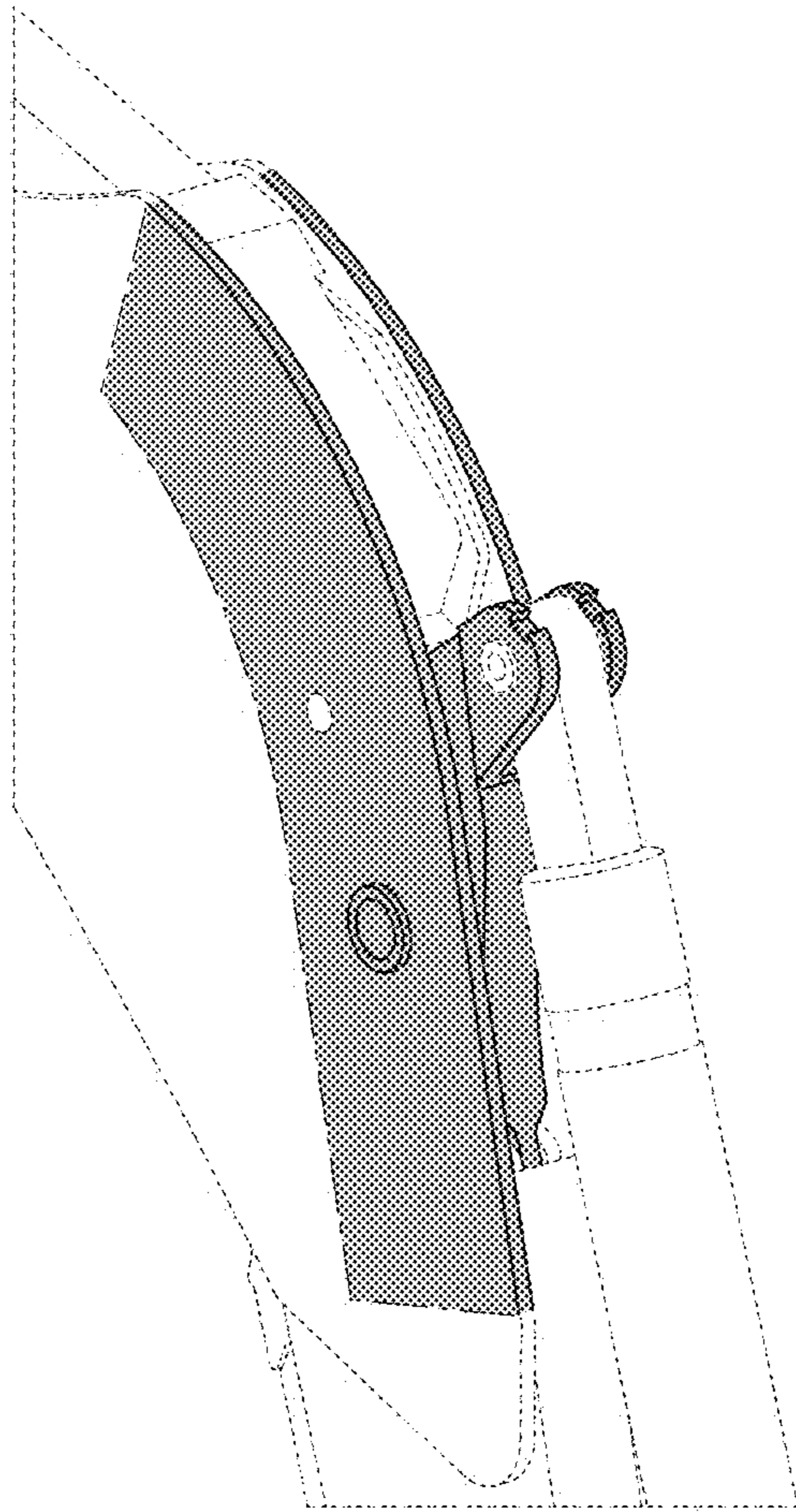


FIG. 16

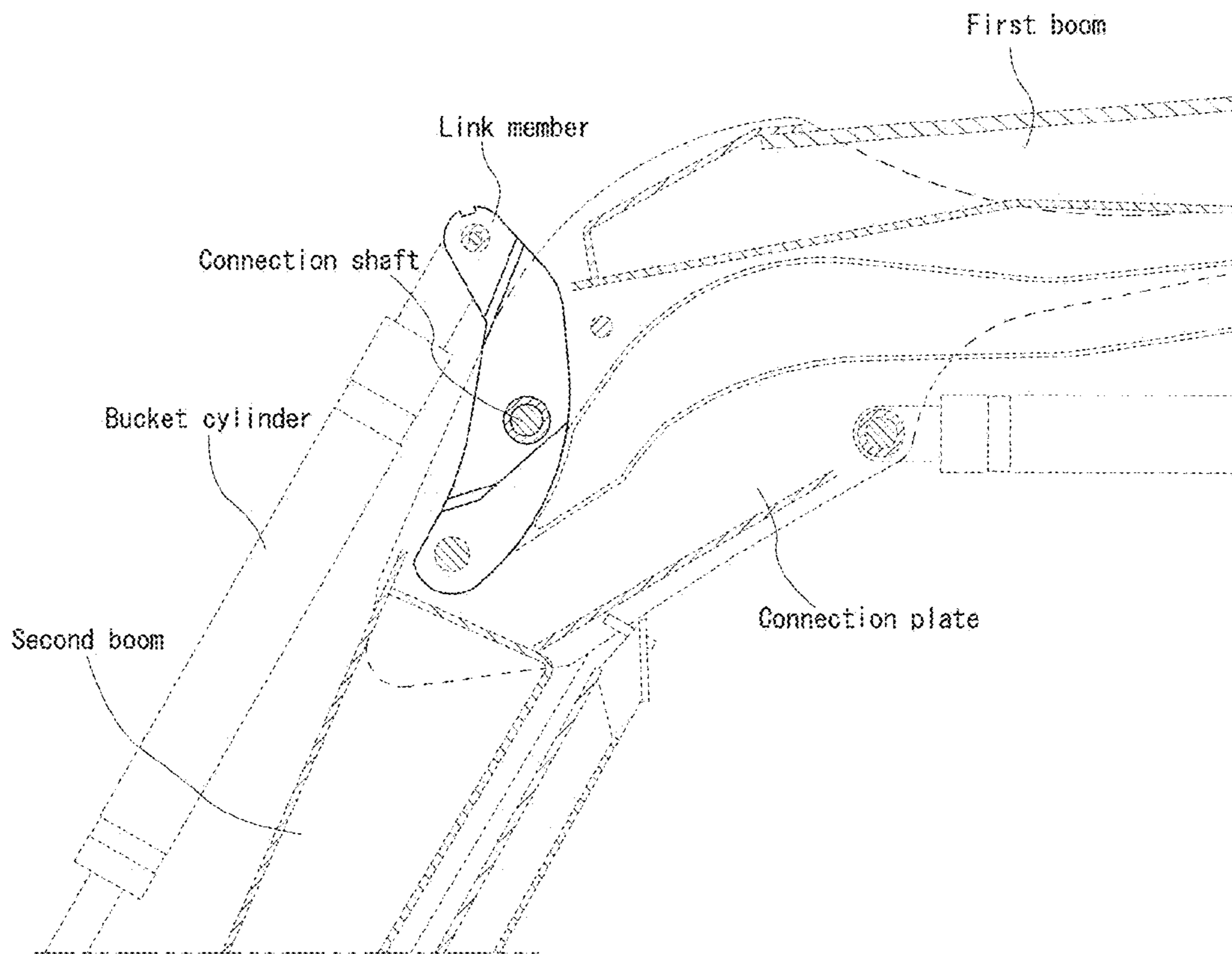


FIG. 17

