



US00D760810S

(12) **United States Design Patent**  
**Dal Moro**

(10) **Patent No.:** **US D760,810 S**  
(45) **Date of Patent:** **\*\* Jul. 5, 2016**

(54) **AGRICULTURAL MACHINE**  
(71) Applicant: **MASCHIO GASPARDO S.P.A.**,  
Campodarsego (PD) (IT)  
(72) Inventor: **Marco Dal Moro**, Campodarsego (IT)  
(73) Assignee: **MASCHIO GASPARDO S.P.A.**,  
Campodarsego (PD) (IT)

D559,868 S \* 1/2008 Nanlawala et al. .... D15/27  
D644,253 S \* 8/2011 Donadon ..... D15/10  
9,107,337 B2 \* 8/2015 Bassett  
2002/0162492 A1 \* 11/2002 Juptner ..... 111/140  
2007/0215024 A1 \* 9/2007 Sanguinetti ..... 111/118  
2008/0264312 A1 \* 10/2008 Choulet ..... 111/69  
2008/0276848 A1 \* 11/2008 Schilling ..... 111/149  
2009/0025619 A1 \* 1/2009 Vandersnick ..... 111/135

\* cited by examiner

(\*\*) Term: **14 Years**  
(21) Appl. No.: **29/506,691**

*Primary Examiner* — Mitchell Siegel  
(74) *Attorney, Agent, or Firm* — Kristina Castellano;  
Castellano PLLC

(22) Filed: **Oct. 18, 2014**

(57) **CLAIM**

(30) **Foreign Application Priority Data**

The ornamental design for an agricultural machine, as shown and described.

Apr. 18, 2014 (EM) ..... 002449785

(51) **LOC (10) Cl.** ..... **15-03**

**DESCRIPTION**

(52) **U.S. Cl.**  
USPC ..... **D15/27**

(58) **Field of Classification Search**  
USPC ..... D15/10, 11, 27, 28–33  
CPC .. A01B 71/04; A01C 5/06; A01C 7/00–7/048  
See application file for complete search history.

FIG. 1 is a perspective view from above of a sowing element of an agricultural machine according to the present design; FIG. 2 is a lateral view thereof; FIG. 3 is a rear view thereof; FIG. 4 is a lateral view thereof; FIG. 5 is a front view thereof; FIG. 6 is a view from above thereof; FIG. 7 is a bottom view thereof; and, FIG. 8 is a reduced rear perspective view thereof; shown combined with other unclaimed agriculture machines for clarity of use.

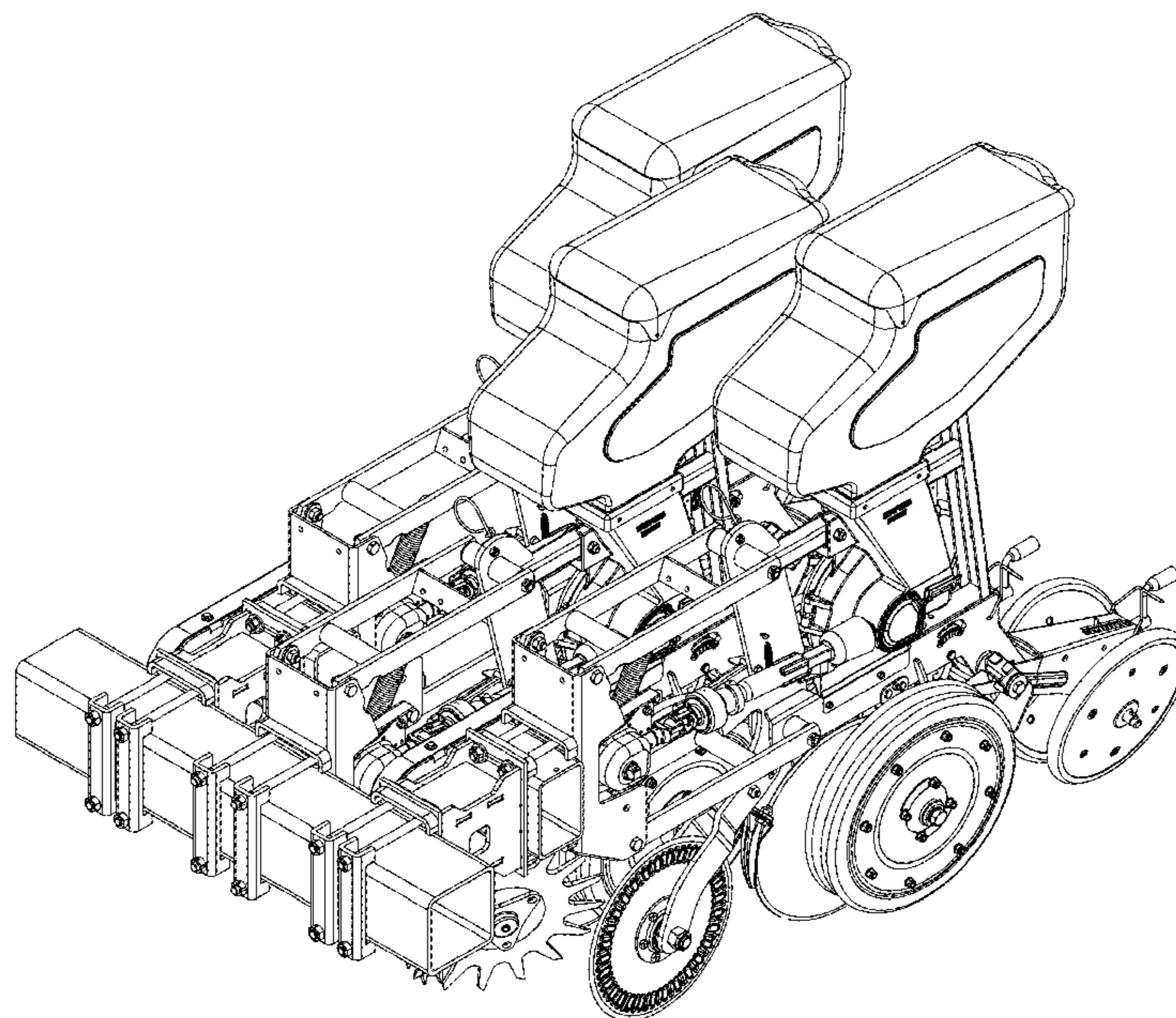
(56) **References Cited**

**U.S. PATENT DOCUMENTS**

6,520,100 B1 \* 2/2003 Spooner et al. .... 111/59  
6,530,334 B2 \* 3/2003 Hagny ..... 111/189  
6,843,186 B2 \* 1/2005 Shoup ..... 111/59  
7,152,539 B2 \* 12/2006 Swanson ..... 111/119  
7,168,376 B2 \* 1/2007 Johnston ..... 111/167  
7,255,050 B2 \* 8/2007 Johannaber et al. .... 111/185

The broken line showing in FIG. 8 is included for illustrative purposes only and forms no part of the claimed design.

**1 Claim, 8 Drawing Sheets**



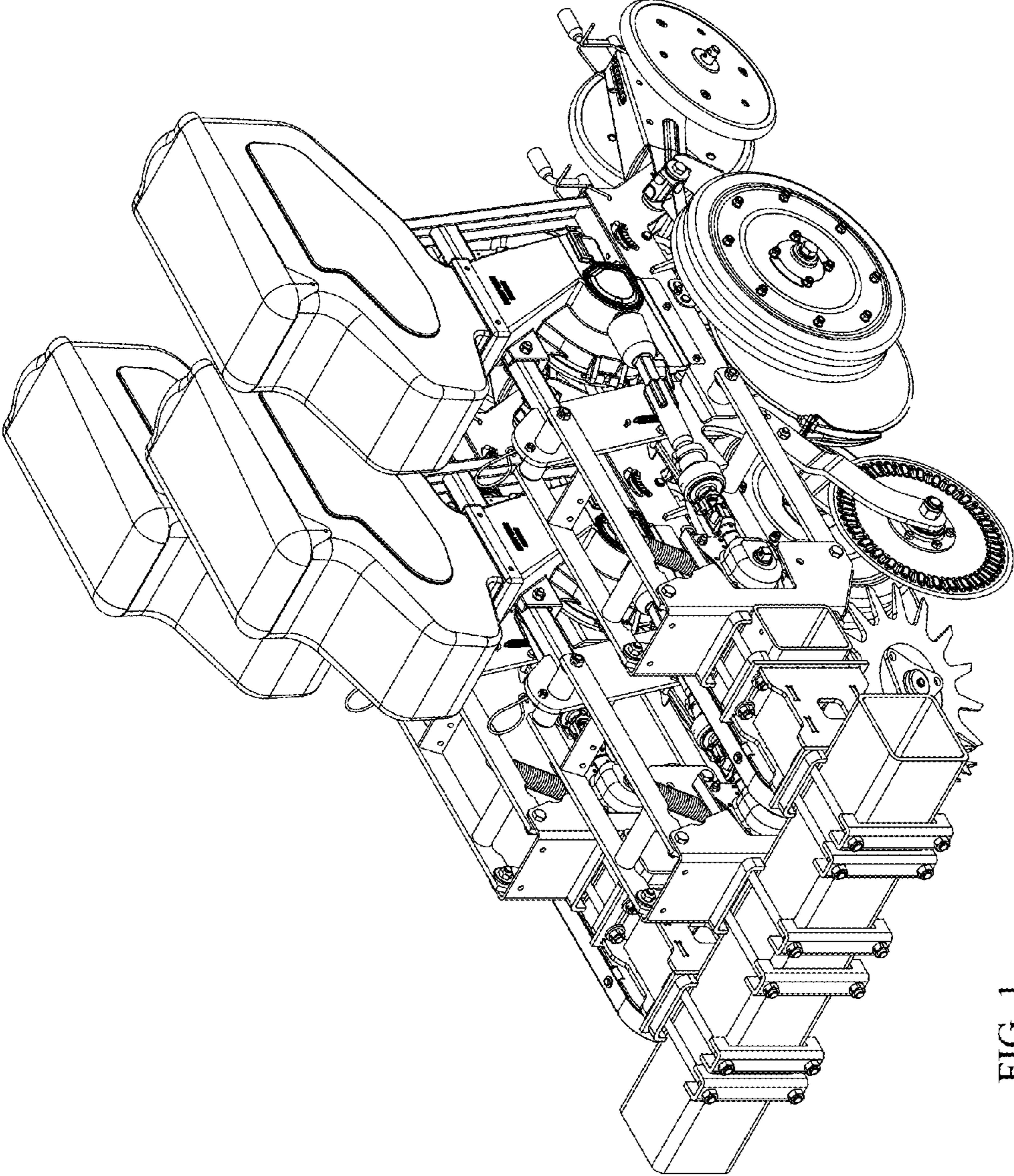


FIG. 1

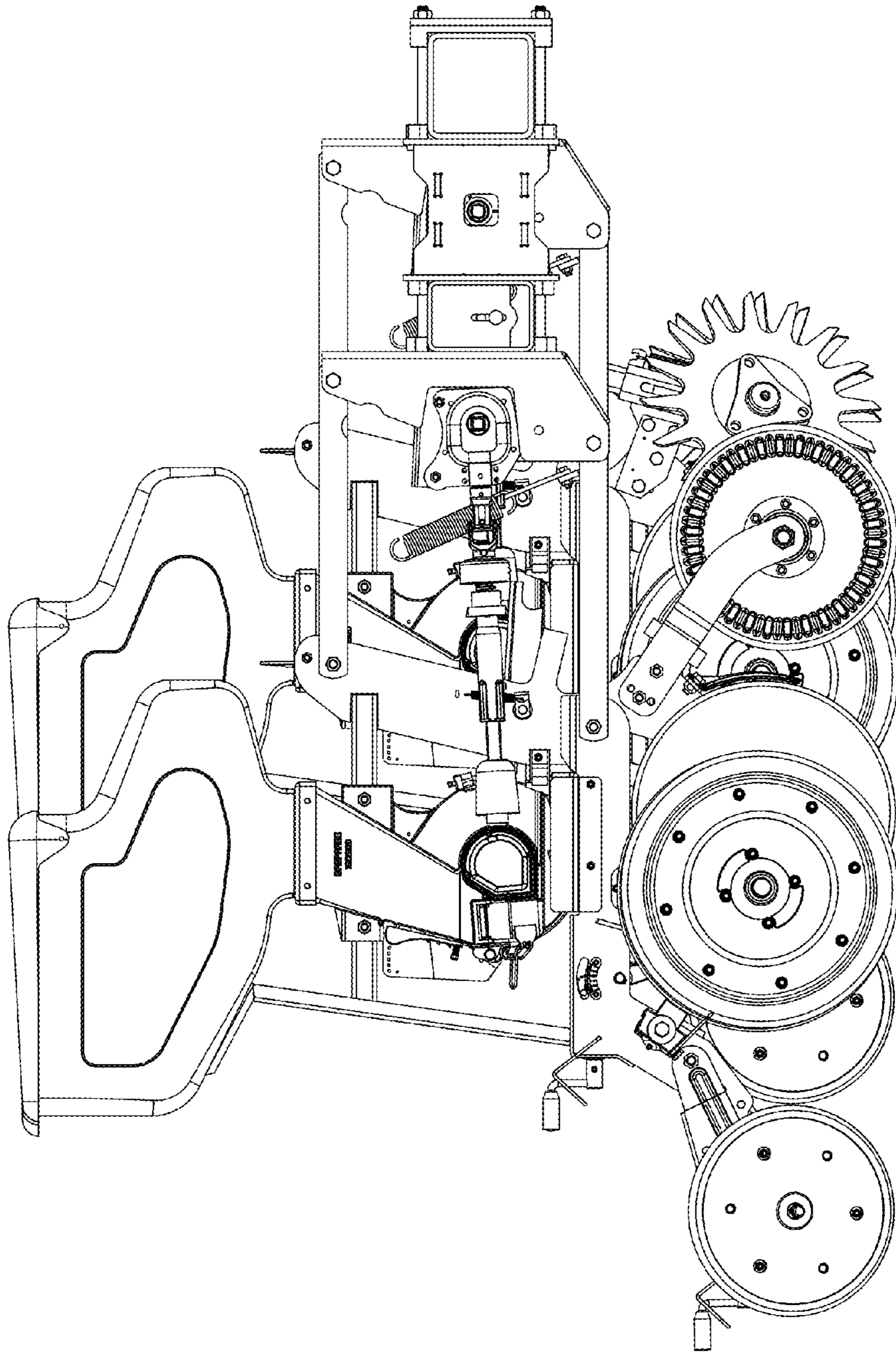


FIG. 2

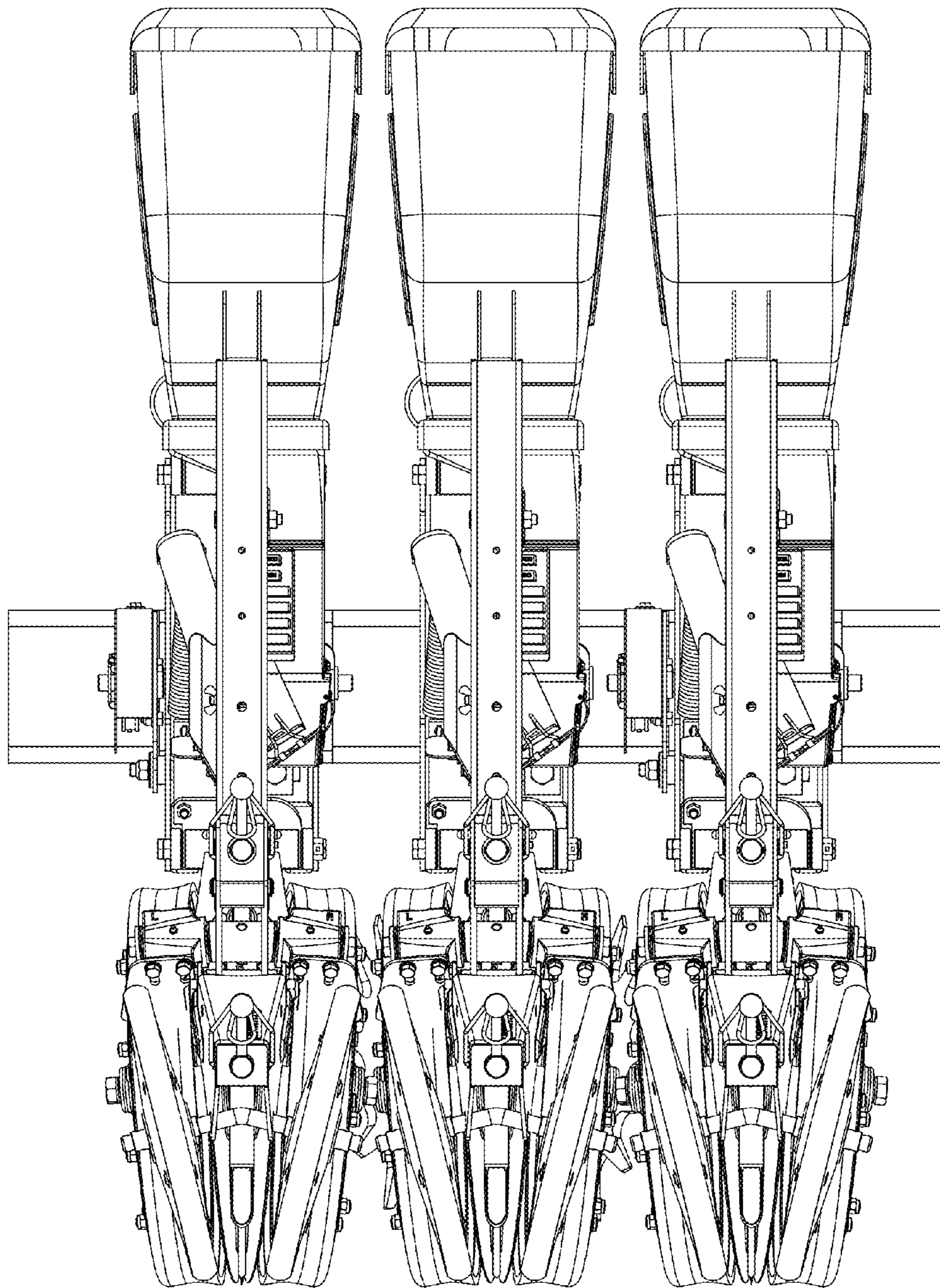


FIG. 3

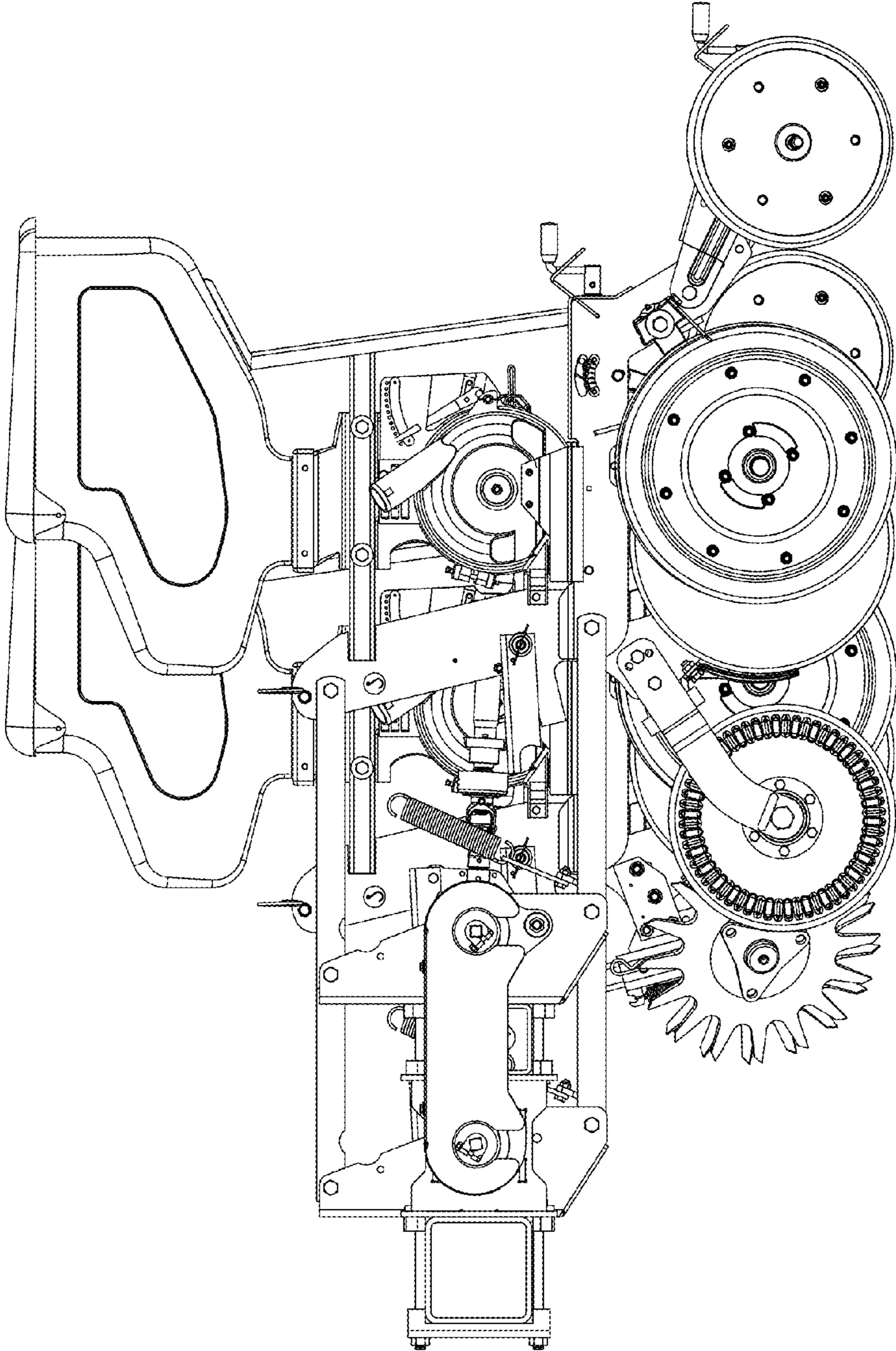


FIG. 4

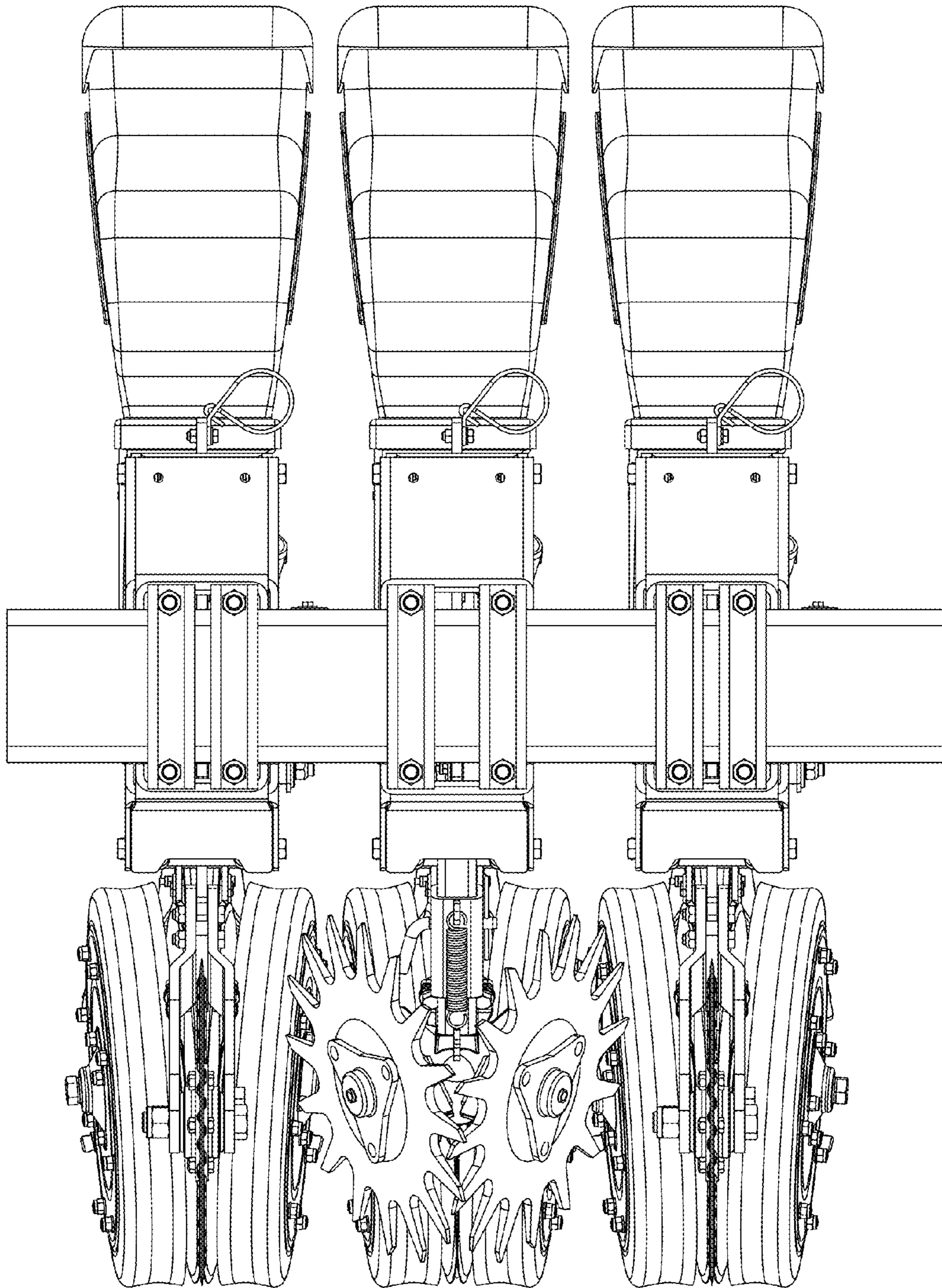


FIG. 5

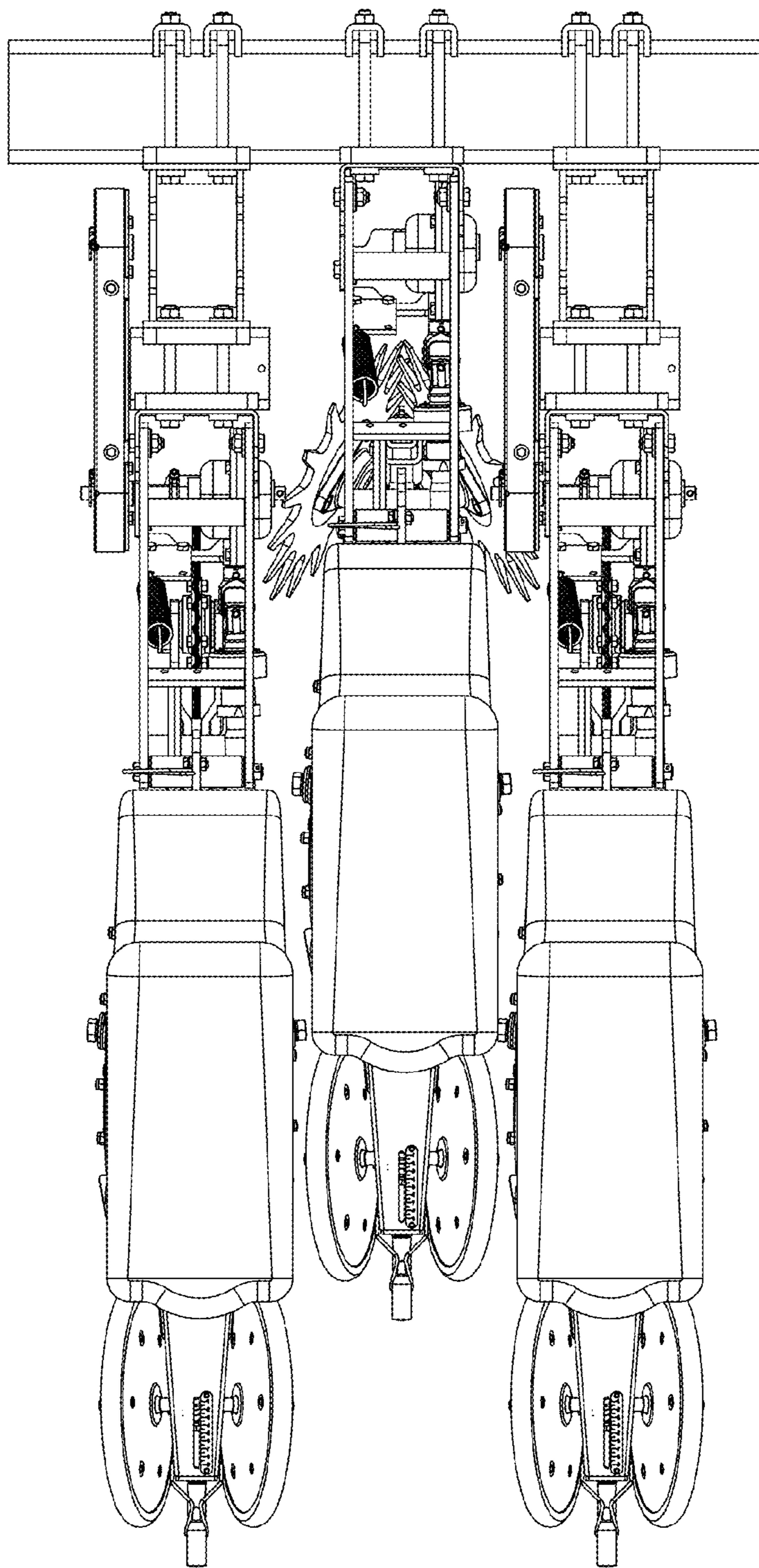


FIG. 6

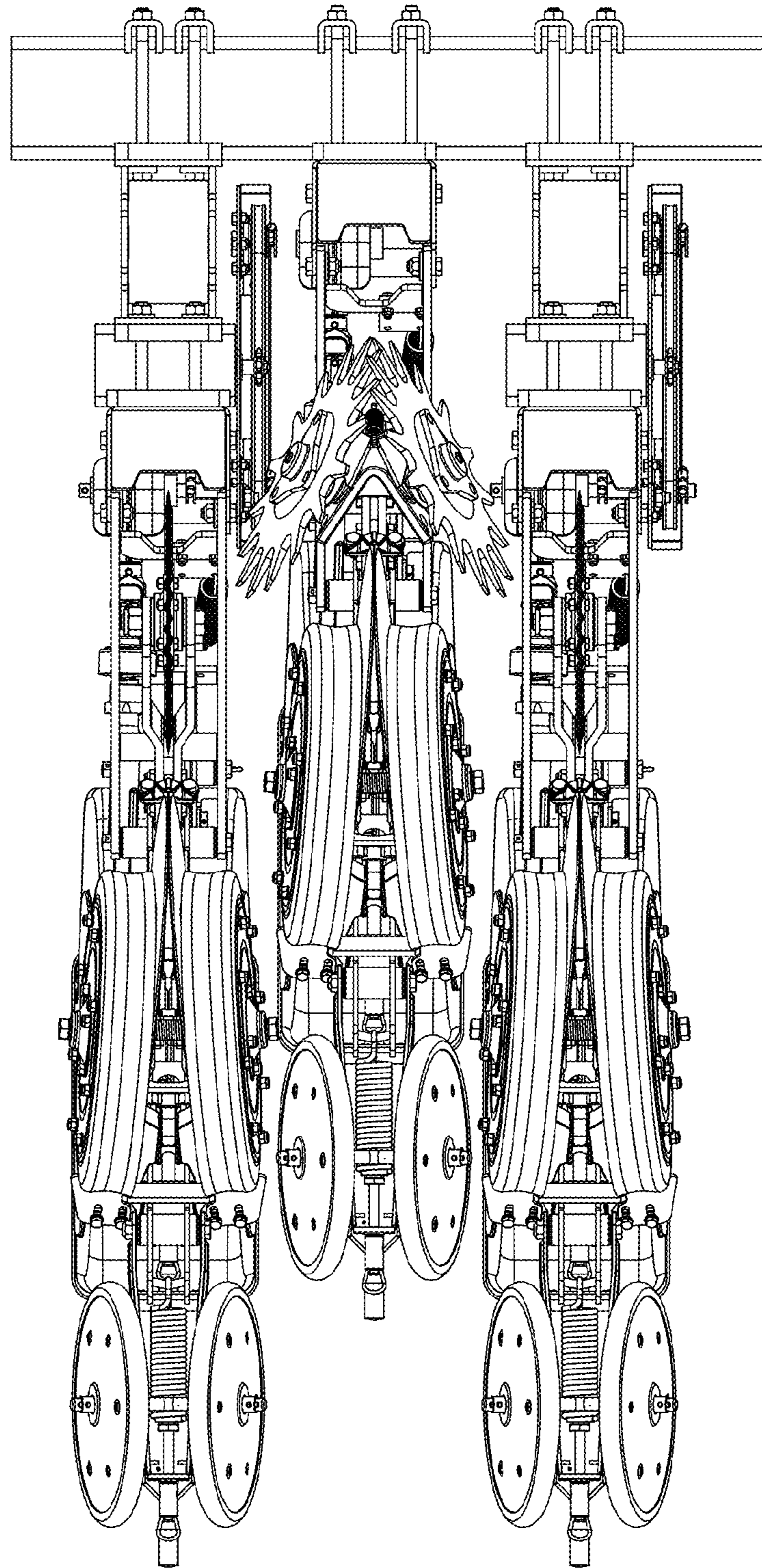


FIG. 7



