



US00D760809S

(12) **United States Design Patent**
Nicholson et al.

(10) **Patent No.:** **US D760,809 S**
(45) **Date of Patent:** **** Jul. 5, 2016**

(54) **TURF VEHICLE FOR DISPENSING
GRANULAR AND LIQUID MATERIALS**

6,336,600 B1 1/2002 Jessen
6,845,829 B2 * 1/2005 Hafendorfer B62D 11/001
180/315

7,954,573 B2 6/2011 Jessen

(71) Applicant: **Exmark Manufacturing Company,
Incorporated, Beatrice, NE (US)**

(Continued)

OTHER PUBLICATIONS

(72) Inventors: **Gary L. Nicholson, Beatrice, NE (US);
Justin L. Pryor, Beatrice, NE (US)**

“RS7200 Spread-N-Spray: TurfEx’s RS7200 Spread-N-Spray isn’t just a spreader/sprayer combination . . . It’s the most efficient way to care for turf;” Brochure. Trynex International. Copyright 2012; 2 pages.

(Continued)

(73) Assignee: **Exmark Manufacturing Company,
Incorporated, Beatrice, NE (US)**

Primary Examiner — Mark Goodwin

(**) Term: **14 Years**

(74) *Attorney, Agent, or Firm* — Muetting, Raasch & Gebhardt, P.A.

(21) Appl. No.: **29/525,222**

(57) **CLAIM**

The ornamental design for a turf vehicle for dispensing granular and liquid materials, as shown and described.

(22) Filed: **Apr. 28, 2015**

(51) **LOC (10) Cl.** **15-03**

DESCRIPTION

(52) **U.S. Cl.**

USPC **D15/26; D15/13**

(58) **Field of Classification Search**

USPC D15/13, 15, 21–26; 239/147, 172, 684,
239/670, 672, 683, 685, 663, 155, 170, 328,
239/562, 650, 662, 67, 681; 180/19.1, 11,
180/14.2

CPC A01D 69/00; B62D 53/02; B62D 51/02;
B62D 51/001; Y10T 403/32254

See application file for complete search history.

FIG. 1 is a left front perspective view of a turf vehicle for dispensing granular and liquid materials in accordance with the claimed design;

FIG. 2 is right rear perspective view of the design of FIG. 1;

FIG. 3 is left rear perspective view of the design of FIG. 1;

FIG. 4 is a right side elevation view of the design of FIG. 1;

FIG. 5 is a left side elevation view of the design of FIG. 1;

FIG. 6 is a front elevation view of the design of FIG. 1;

FIG. 7 is a rear elevation view of the design of FIG. 1; and,

FIG. 8 is a top plan view of the design of FIG. 1.

The broken lines in the figures depict portions of the turf vehicle for dispensing granular and liquid materials that form no part of the claimed design.

A bottom plan view is omitted because it is plain and unornamental and forms no part of the claimed design.

Applicant reserves the right to convert a portion or portions of any of the broken lines to solid lines such that the features described by those lines then form a part of the claimed design.

(56) **References Cited**

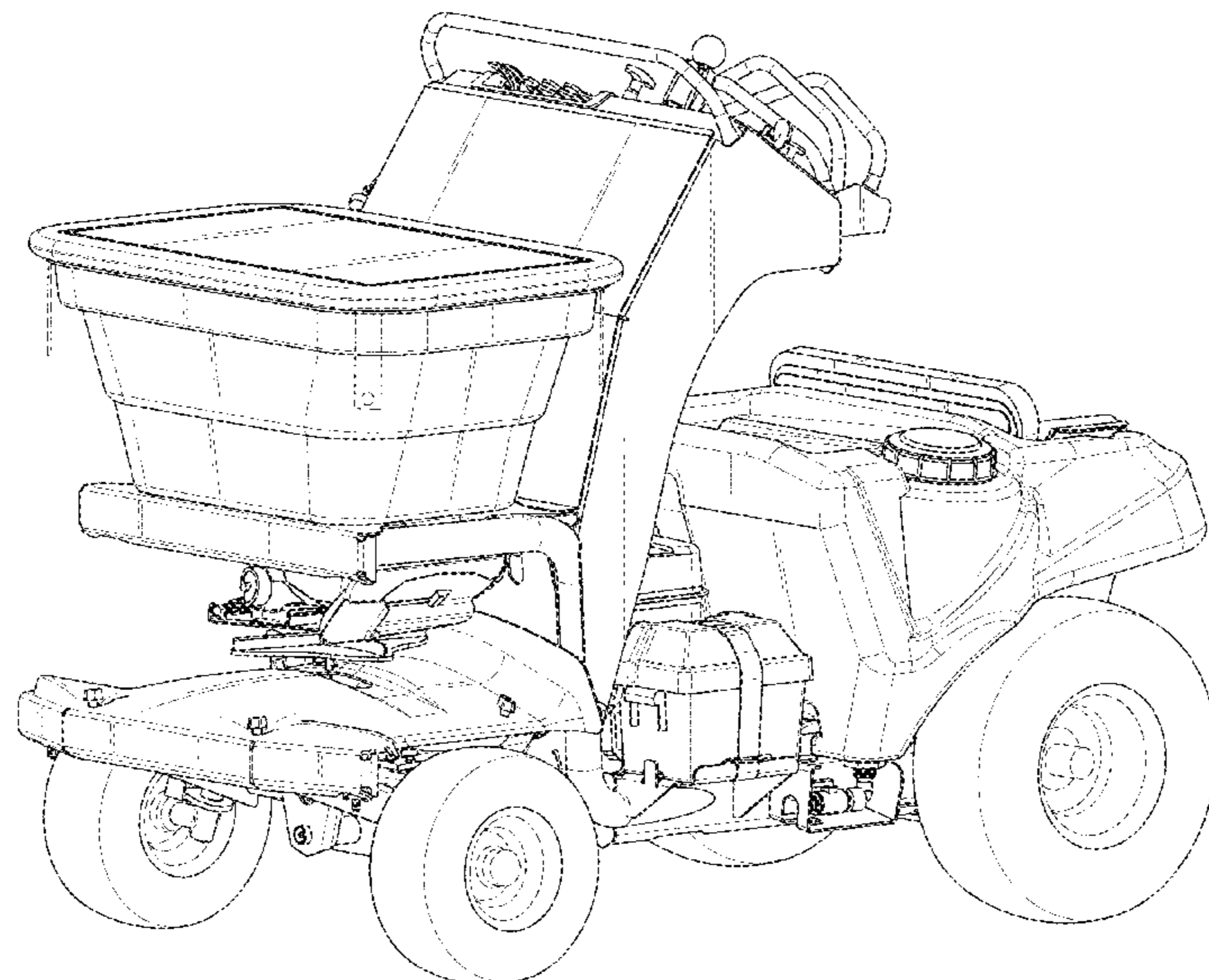
U.S. PATENT DOCUMENTS

3,485,314 A * 12/1969 Herr B60P 9/00
180/11

5,333,795 A 8/1994 Jessen

5,809,756 A * 9/1998 Scag A01D 34/001
280/32.7

1 Claim, 8 Drawing Sheets



(56)

References Cited

U.S. PATENT DOCUMENTS

8,056,828	B1	11/2011	Kline et al.	
D662,522	S *	6/2012	Simpson	D15/13
D673,586	S *	1/2013	Truan	D15/13
8,632,018	B2	1/2014	Kline et al.	
2004/0262052	A1	12/2004	Jessen	
2006/0070747	A1	4/2006	Isaman et al.	
2014/0131465	A1	5/2014	Kline et al.	

OTHER PUBLICATIONS

“RS7200E Spread-N-Spray: The New RS7200E Spread-N-Spray,” Brochure. Trynex International. Copyright 2013; 2 pages.
 U.S. Appl. No. 14/875,861, filed Oct. 6, 2015, Papke.
 U.S. Appl. No. 14/698,061, filed Apr. 28, 2015, Papke.
 U.S. Appl. No. 14/697,909, filed Apr. 28, 2015, Cook.
 Cub Cadet, “Cub Cadet Commercial Offers 3-in-1 Stand-on Spreader/Sprayer: Application Landscapers Get Productivity Boost with Granular, Liquid, and Spot-Spray Capability in One Machine” Oct. 23, 2008, 2 pages. Accessed on Jun. 23, 2015, <<http://newsroom.cubcadet.com/newsroom/article/new-articlepage-17#images>>.
 Cub Cadet Commercial, “Hydrostatic Stand-On Self-Propelled Spreader-Sprayer: Operator’s Manual;” Form #769-04150 Rev. 09-0, Cub Cadet LLC, Cleveland, Ohio, Nov. 12, 2008; 20 pages.

Ground Logic, Inc., “Go for a Joyride” web page, archive dated May 17, 2014, copyright 2011; 1 page. Accessed on Jun. 23, 2015, <<https://web.archive.org/web/20140517085448/http://groundlogicinc.com/>>.
 Ground Logic, Inc., “Premium Commercial Spreading & Spraying Equipment” 2015 Sales Brochure; Ground Logic, Inc., Lincoln, NE, 4 pages.
 L.T. Rich Products, Inc., “Owners Manual: JR36R / ZS-3620R Z-Spray,” L.T. Rich Products, Inc., Lebanon, Indiana, 27 pages.
 L.T. Rich Products, Inc., “Commercial Sprayers, Seeders, & Aerators-Indiana-Z-Spray” Website Pages, Copyright 2015; 3 pages. Accessed on Jun. 23, 2015, <www.z-spray.com/z-spray-sprayers/>.
 L.T. Rich Products, Inc., “L.T. Rich Products: JR-36R” Jan. 15, 2013; 2 pages. Accessed on Jun. 23, 2015, <<http://landscapemanagement.net/1-t-rich-products-jr-36r>>.
 Perma-Green Supreme, Inc., “PermaGreen Triumph Spreader Sprayer Operator’s Manual” North American Version (v12), Feb. 9, 2010; 45 pages.
 Perma-Green Supreme, Inc., “PermaGreen Triumph Spreader Sprayer Operator’s Manual: Model C1C with Serial No. 14151 and above” North American Version (v15), Nov. 9, 2014; 44 pages.
 Perma-Green Supreme, Inc., “PermaGreen: It’s Your Future” Sales Brochure, copyright 2014; 12 pages.

* cited by examiner

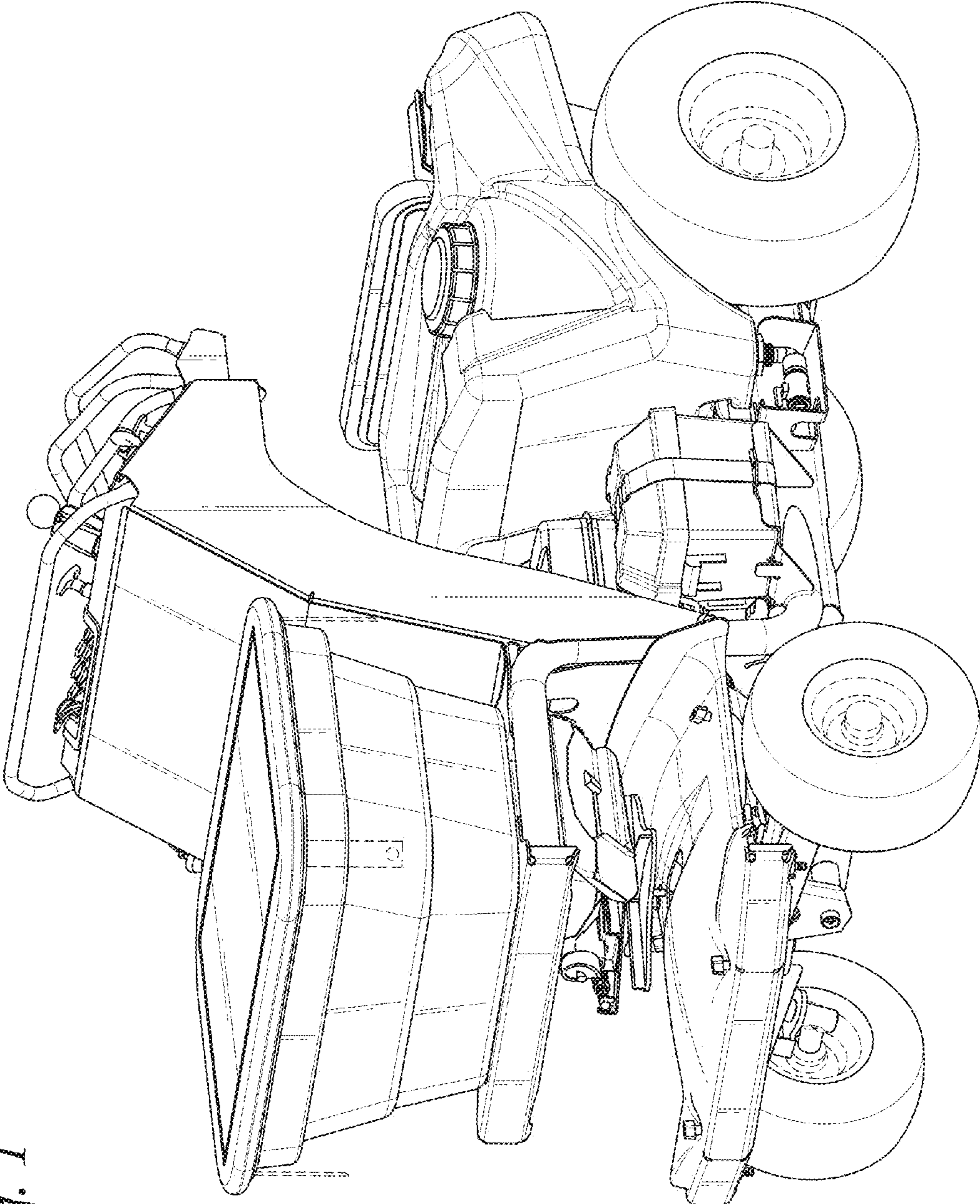


Fig. 1

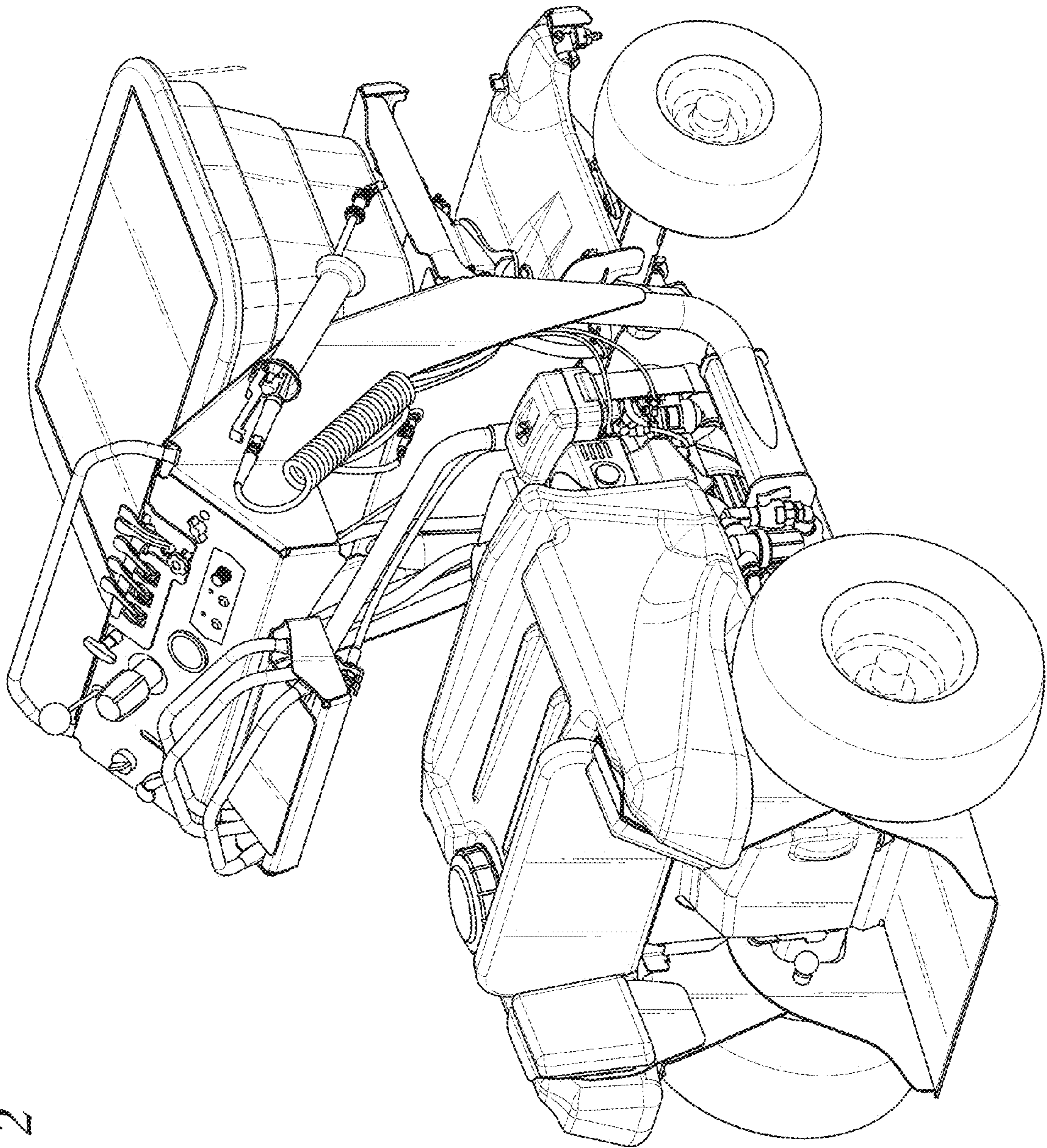


Fig. 2

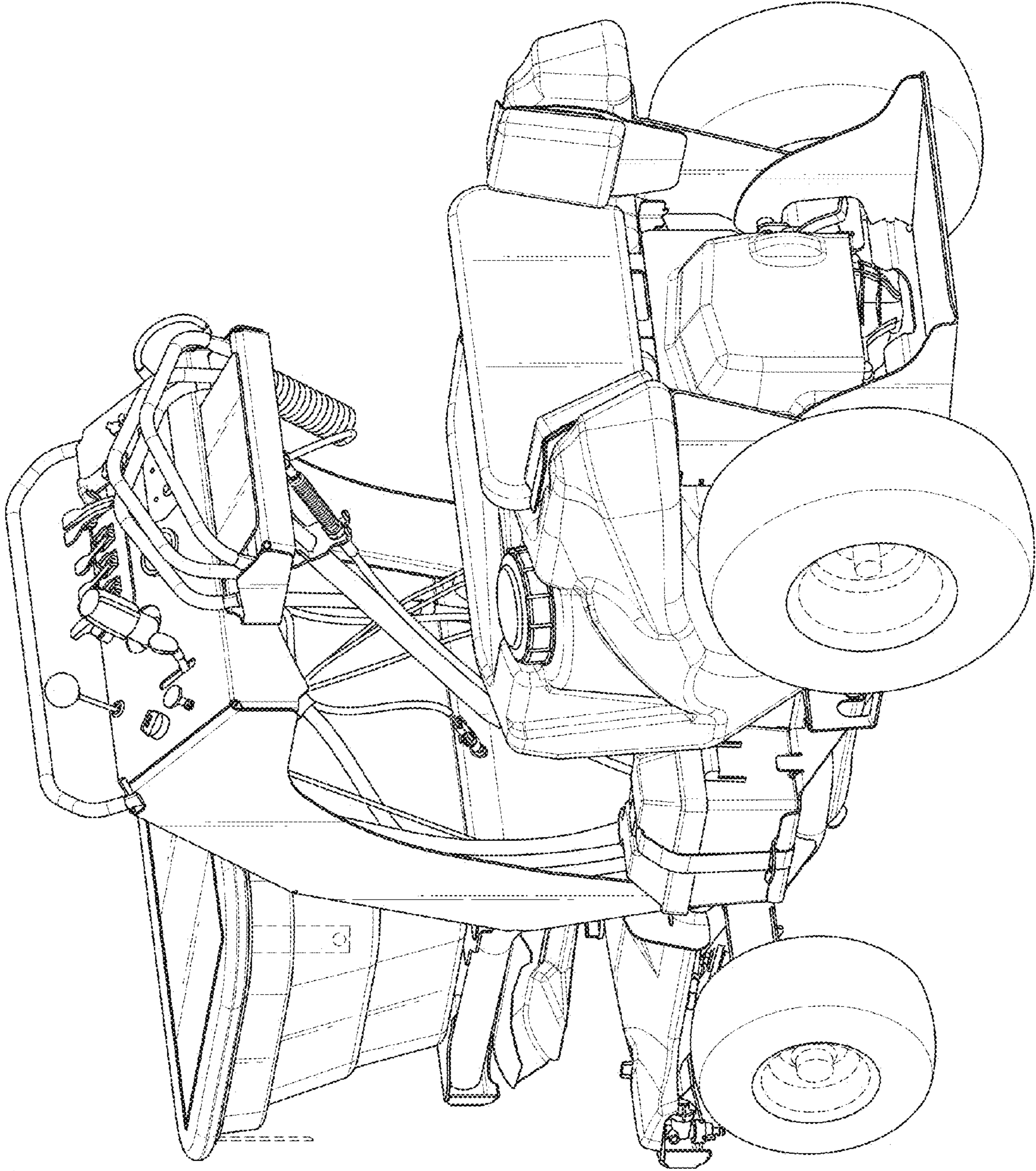


Fig. 3

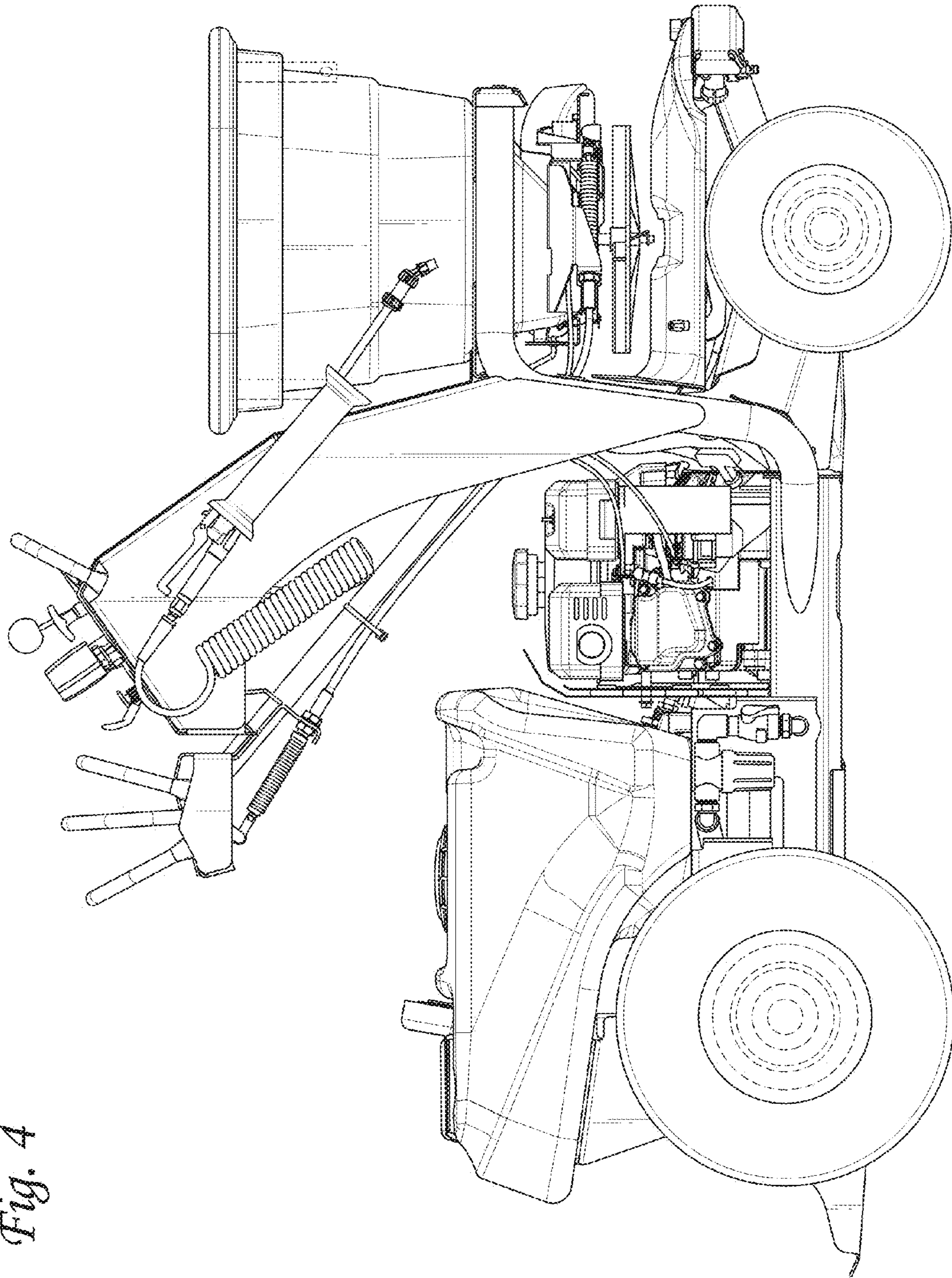


Fig. 4

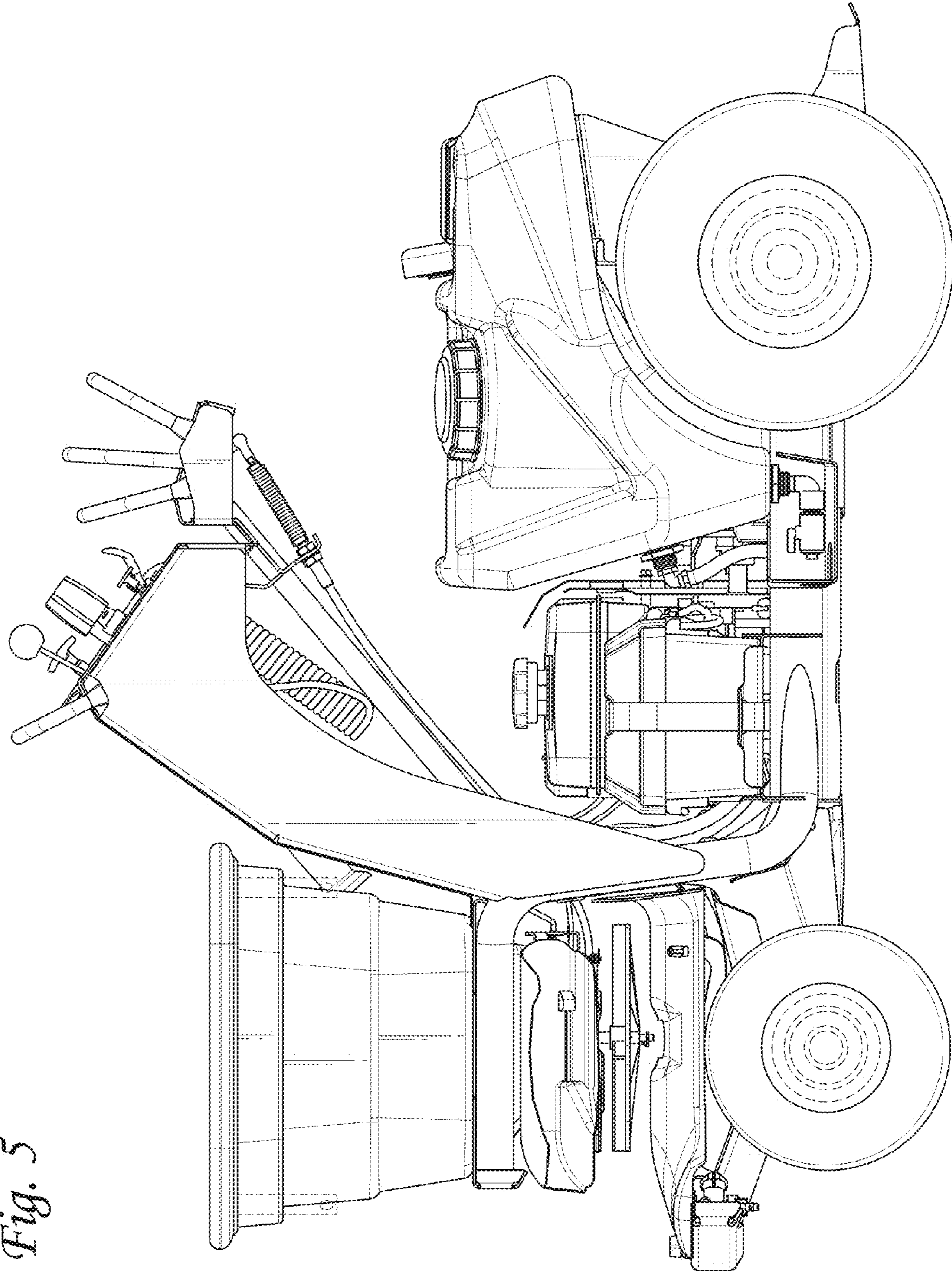


Fig. 5

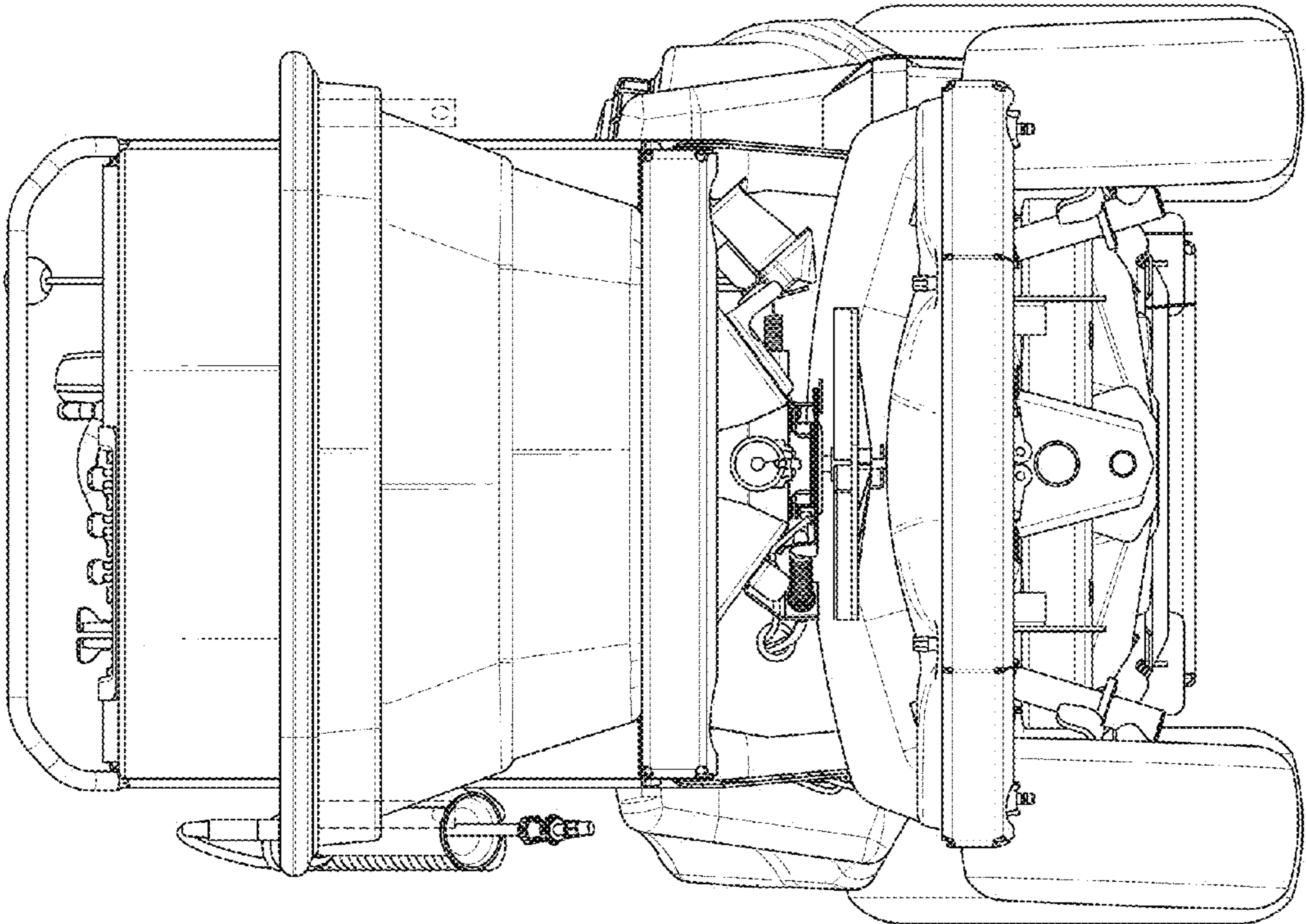


Fig. 6

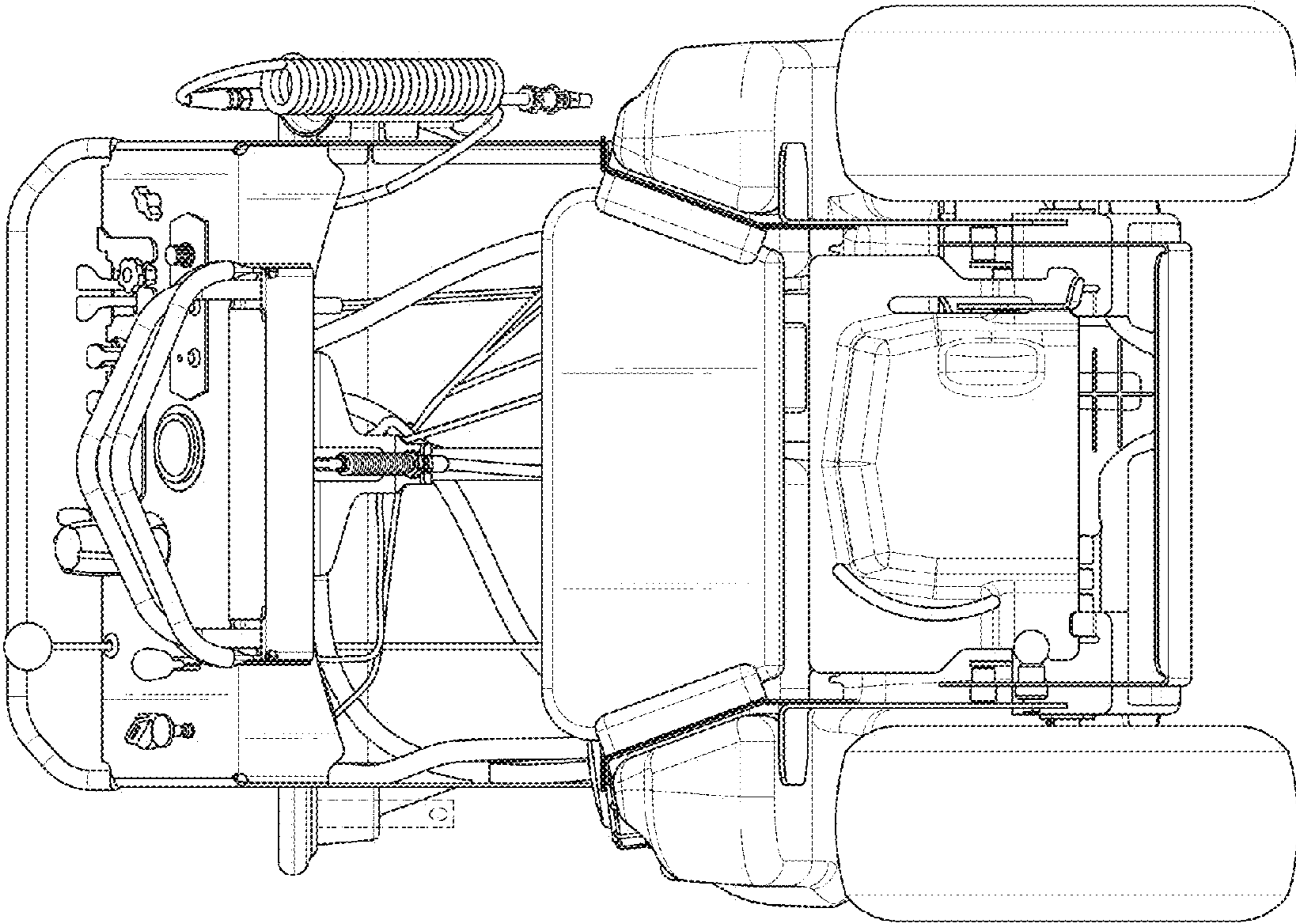


Fig. 7

Fig. 8

