



US00D760808S

(12) **United States Design Patent**
Reinert et al.

(10) **Patent No.:** **US D760,808 S**
(45) **Date of Patent:** **** Jul. 5, 2016**

(54) **ELECTRIC ROPE SHOVEL CROWD TAKE-UP DEVICE**

(71) Applicant: **Caterpillar Global Mining LLC**, Oak Creek, WI (US)

(72) Inventors: **Dallas L. Reinert**, Germantown, WI (US); **Michael J. Burkard**, South Milwaukee, WI (US)

(73) Assignee: **Caterpillar Global Mining LLC**, Oak Creek, WI (US)

(**) Term: **14 Years**

(21) Appl. No.: **29/517,535**

(22) Filed: **Feb. 13, 2015**

(51) **LOC (10) Cl.** **15-03**

(52) **U.S. Cl.**
USPC **D15/21; D15/28**

(58) **Field of Classification Search**
USPC D15/21, 28; 474/136; 37/397; 414/693
CPC E02F 3/304; E02F 3/308; E02F 3/28;
E02F 3/30; E02F 3/42; F16H 2007/0891;
F16H 7/08
See application file for complete search history.

| | | | | | |
|--------------|------|---------|-----------|-------|-----------------------|
| 6,314,667 | B1 * | 11/2001 | Rife | | E02F 3/30 37/397 |
| 2005/0150141 | A1 * | 7/2005 | Suzik | | B66C 23/66 37/395 |
| 2005/0163603 | A1 * | 7/2005 | Kerrigan | | E02F 3/431 414/700 |
| 2009/0067972 | A1 * | 3/2009 | Wurster | | E02F 3/627 414/722 |
| 2013/0261904 | A1 * | 10/2013 | Linstroth | | E02F 9/265 701/50 |
| 2014/0227071 | A1 * | 8/2014 | Maki | | E02F 3/46 414/685 |
| 2014/0271075 | A1 * | 9/2014 | Pusheck | | E02F 3/308 414/694 |
| 2015/0003950 | A1 * | 1/2015 | Hren | | E21C 35/00 414/722 |
| 2015/0089847 | A1 * | 4/2015 | Gross | | E02F 3/58 37/445 |
| 2015/0204048 | A1 * | 7/2015 | Colwell | | E02F 3/304 701/50 |
| 2015/0204052 | A1 * | 7/2015 | Lee | | E02F 3/304 701/50 |
| 2015/0308073 | A1 * | 10/2015 | Voelz | | E02F 9/265 701/50 |

* cited by examiner

Primary Examiner — Mark Goodwin

(57) **CLAIM**

The ornamental design for electric rope shovel crowd take-up device, as shown and described.

DESCRIPTION

FIG. 1 is a front, top, left perspective view of an electric rope shovel crowd take-up device, showing our new design; FIG. 2 is a front elevation view thereof; FIG. 3 is a rear elevation view thereof; FIG. 4 is a right side view thereof; FIG. 5 is a left side view thereof; FIG. 6 is a top plan view thereof; and, FIG. 7 is a bottom view thereof.

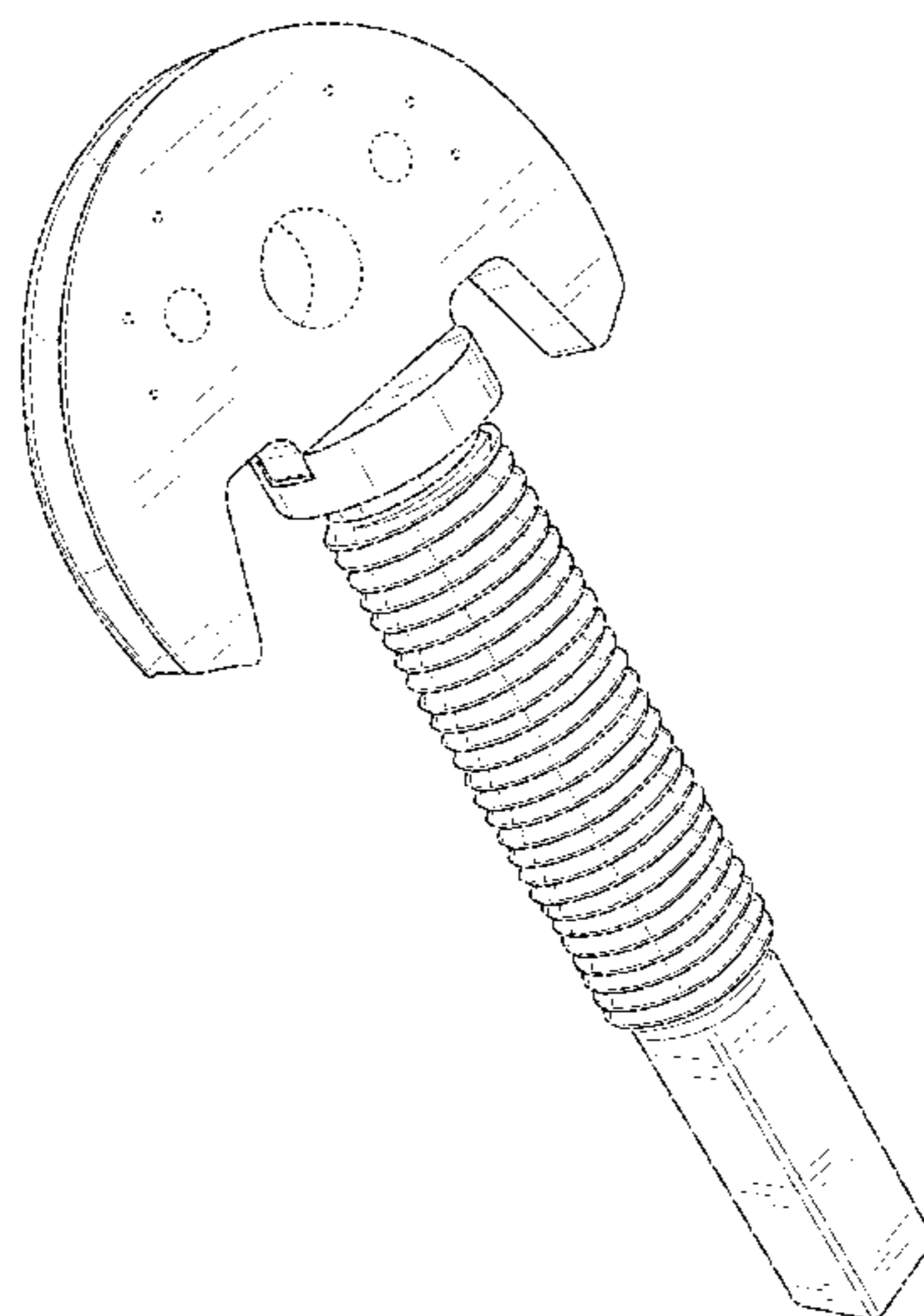
The broken lines shown in the drawings illustrate portions of the electric rope shovel crowd take-up device that forms no part of the claimed design.

1 Claim, 5 Drawing Sheets

(56) **References Cited**

U.S. PATENT DOCUMENTS

| | | | | | |
|-----------|-----|---------|-----------|-------|----------------------|
| 3,118,315 | A * | 1/1964 | Loosli | | F16H 7/14 198/816 |
| 3,307,721 | A * | 3/1967 | Schneider | | E02F 3/30 414/693 |
| 3,843,095 | A * | 10/1974 | Rupert | | E02F 3/30 37/396 |
| 4,150,812 | A * | 4/1979 | Baron | | E02F 3/30 254/393 |
| 4,339,225 | A * | 7/1982 | Donnally | | E02F 3/42 414/690 |
| 5,499,463 | A * | 3/1996 | Profio | | E02F 3/304 37/398 |
| 6,168,542 | B1 | 1/2001 | Chang | | |



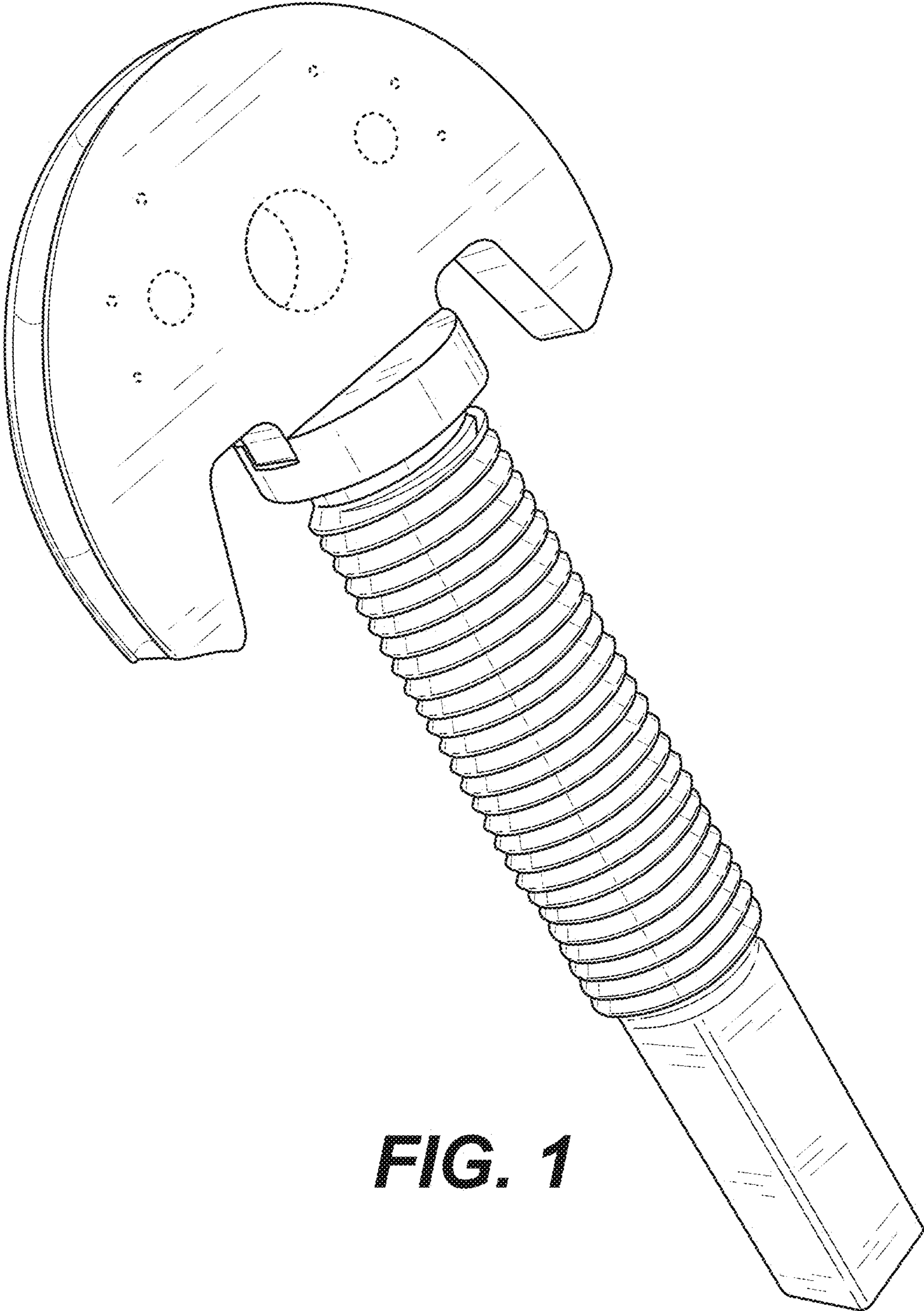


FIG. 1

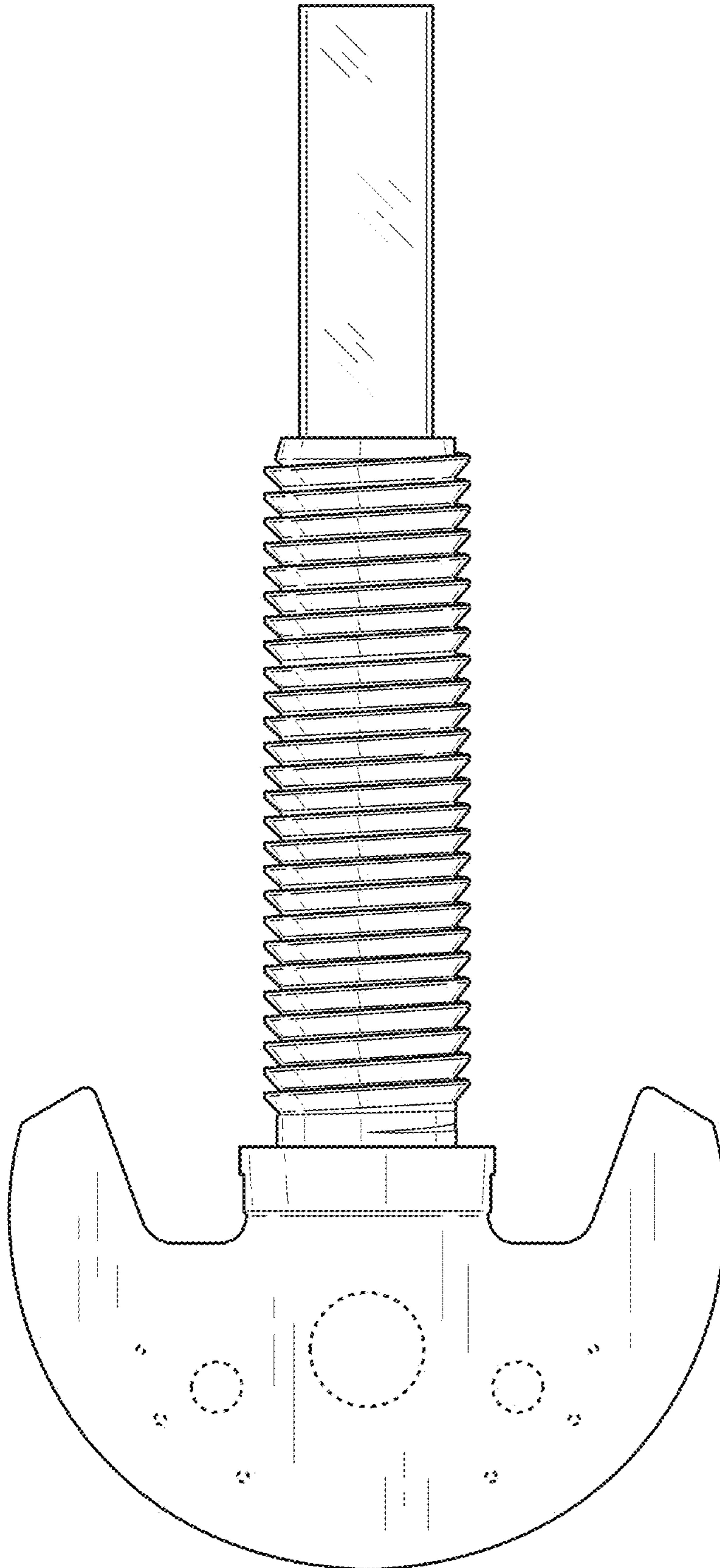


FIG. 2

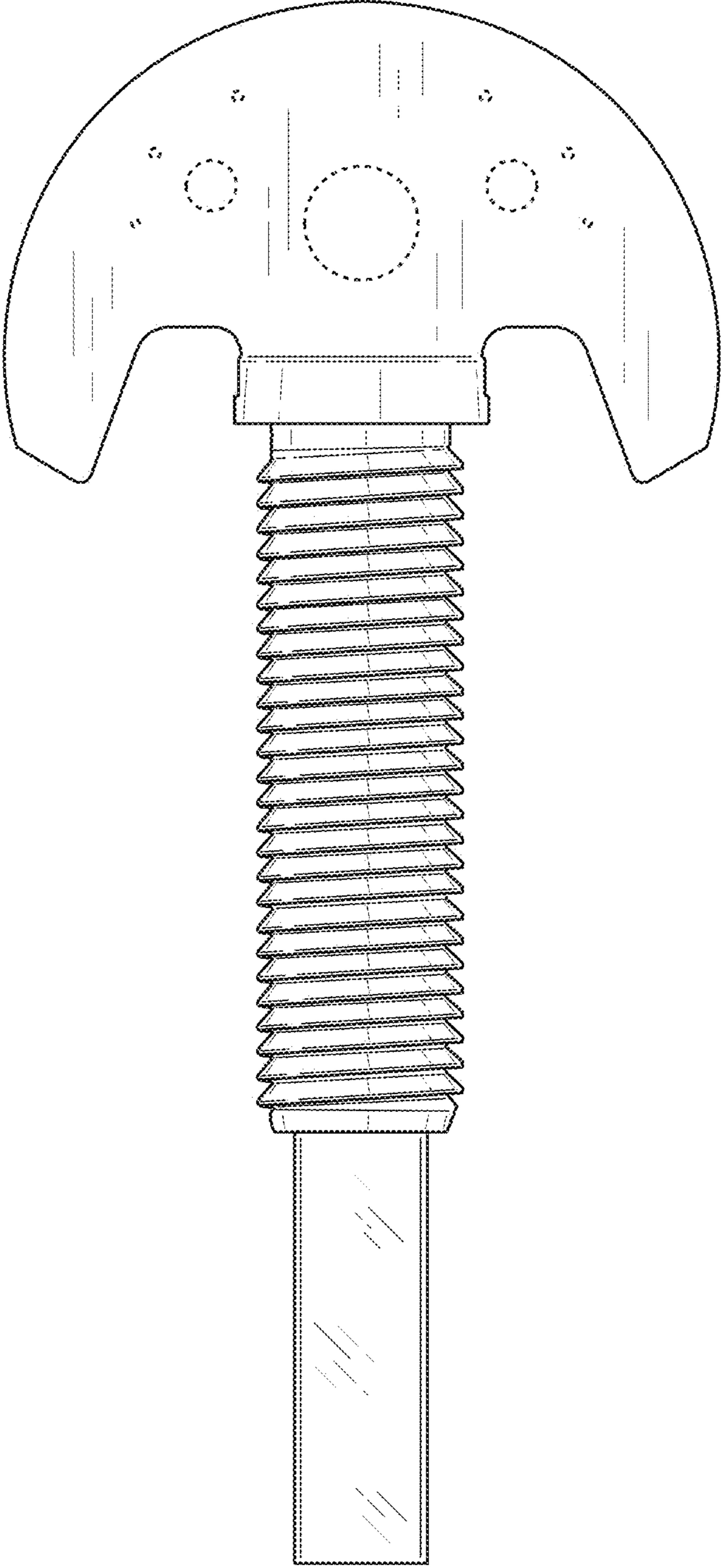


FIG. 3

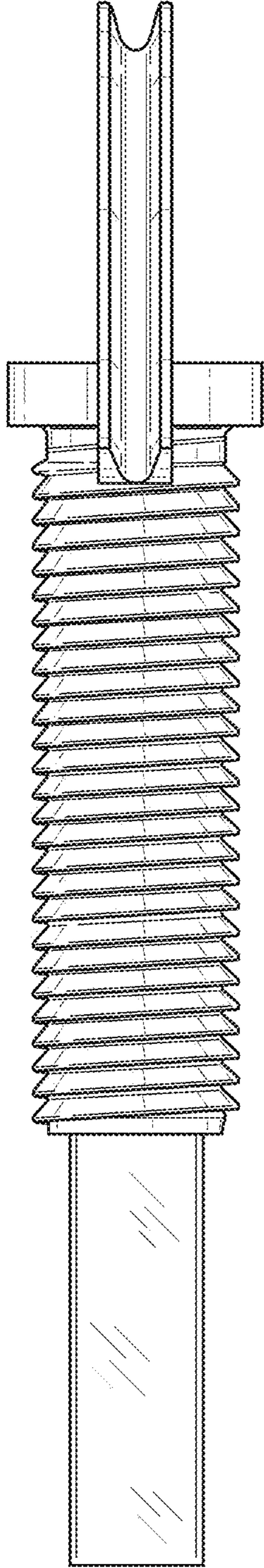


FIG. 4

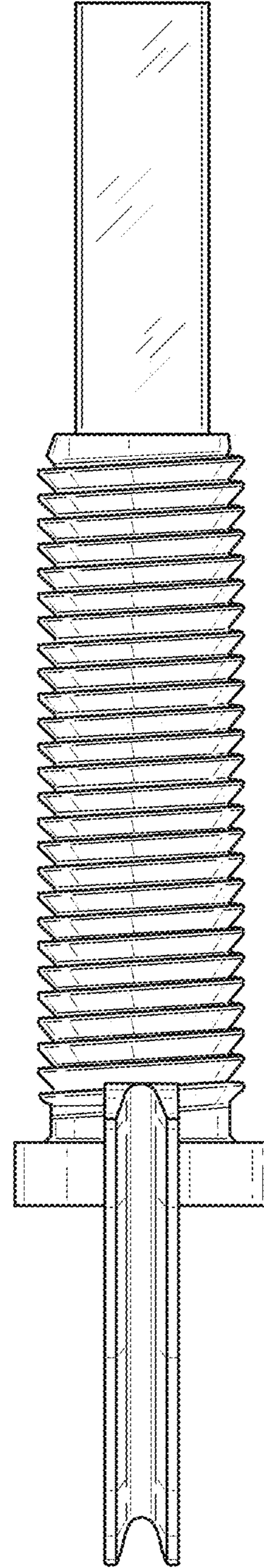


FIG. 5

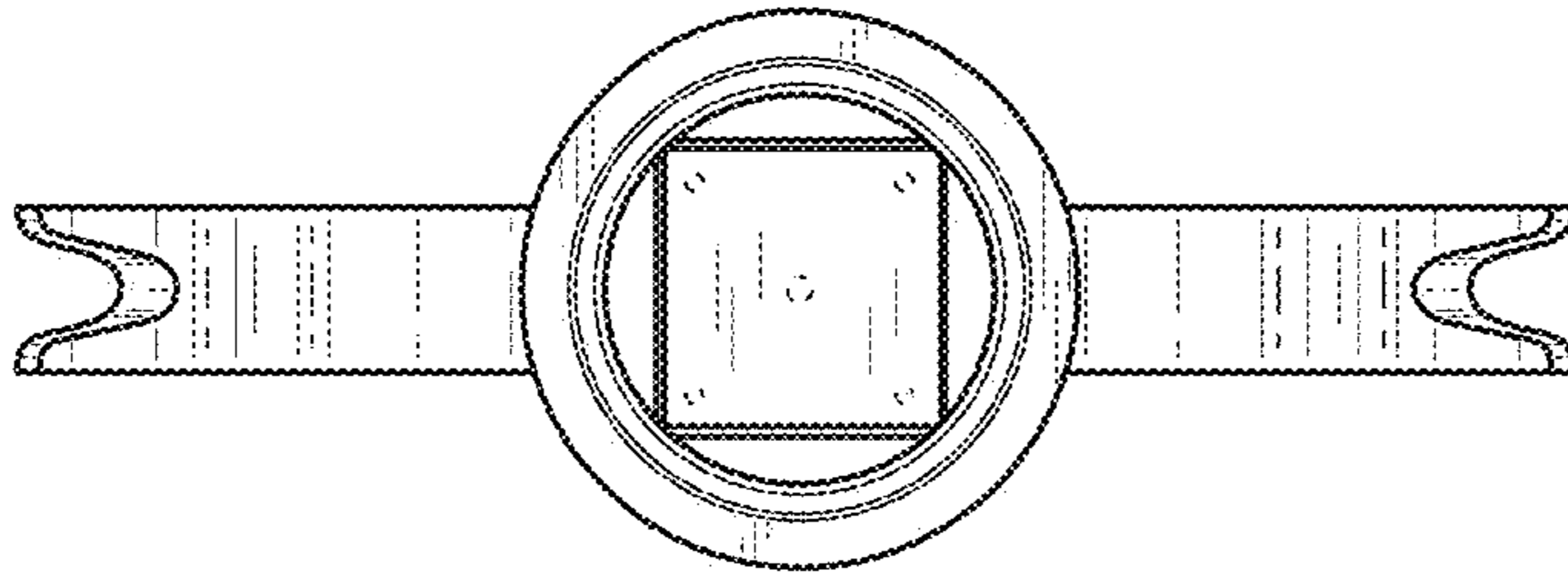


FIG. 7

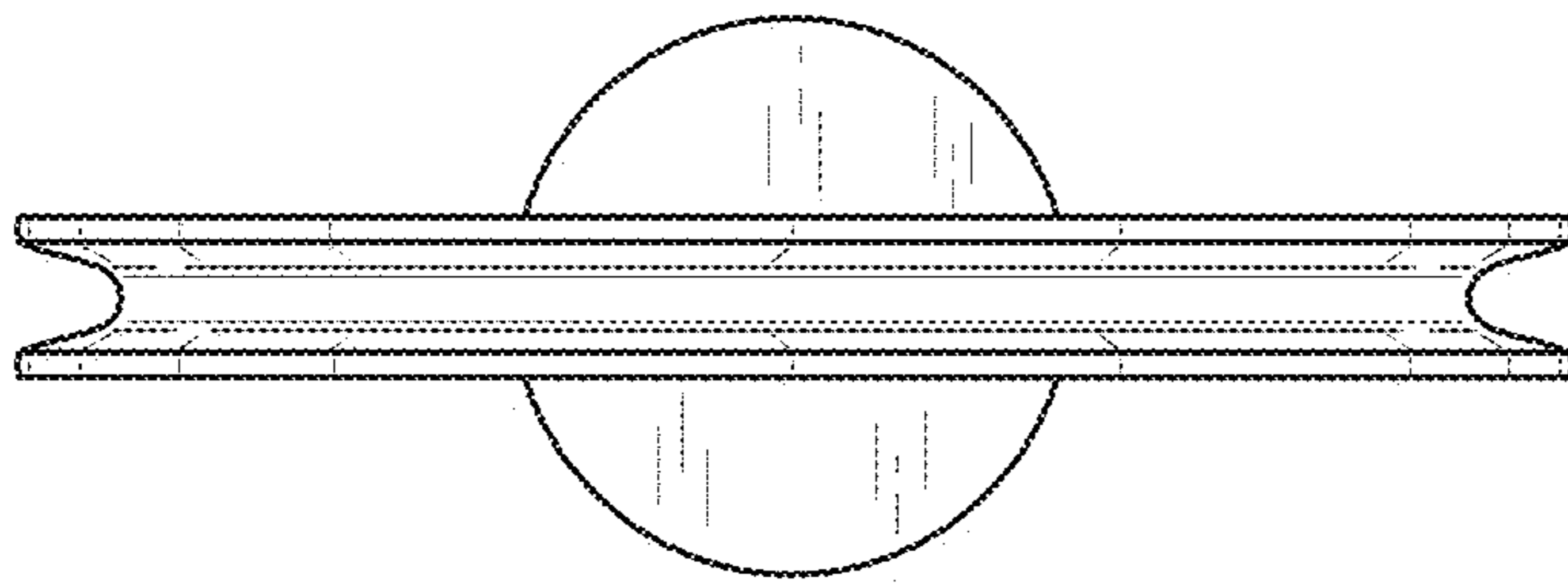


FIG. 6