

US00D760807S

(12) **United States Design Patent**
Sutton

(10) **Patent No.:** **US D760,807 S**

(45) **Date of Patent:** **** Jul. 5, 2016**

(54) **CONCRETE MIXING DEVICE**

(71) Applicant: **Western Materials and Design, LLC,**
Harrisonville, MO (US)

(72) Inventor: **Jeff Sutton,** Archie, MO (US)

(73) Assignee: **WESTERN MATERIALS AND DESIGN, LLC,** Harrisonville, MO (US)

(**) Term: **14 Years**

(21) Appl. No.: **29/516,435**

(22) Filed: **Feb. 2, 2015**

(51) **LOC (10) Cl.** **15-03**

(52) **U.S. Cl.**
USPC **D15/19; D15/10**

(58) **Field of Classification Search**
USPC D15/10, 19, 122, 199; 366/14, 18, 25,
366/27, 37; 414/21, 332
CPC B28C 7/04; B28C 7/00; B28C 7/0495;
B28C 7/0486; B28C 9/0418; B65D 88/30;
Y10S 414/132
See application file for complete search history.

(56) **References Cited**

U.S. PATENT DOCUMENTS

4,178,117	A *	12/1979	Brugler	B28C 7/0486	414/21
D255,355	S *	6/1980	Mize	D15/19	
D294,642	S *	3/1988	Bostrom	D15/19	
4,775,275	A *	10/1988	Perry	B28C 7/0495	366/18
D319,832	S *	9/1991	Ross	D15/19	
D322,972	S *	1/1992	St. Ama	D15/19	
D322,973	S *	1/1992	St. Ama	D15/19	
D324,688	S *	3/1992	St. Ama	D15/19	
D327,485	S *	6/1992	St. Ama	D15/19	

D459,365	S *	6/2002	Myers	D15/19	
6,474,926	B2 *	11/2002	Weiss	B28C 7/0495	414/332
D534,551	S *	1/2007	Kushlan	D15/19	
D552,627	S *	10/2007	Watson	D15/19	
D718,791	S *	12/2014	Moretto	D15/10	

* cited by examiner

Primary Examiner — Mark Goodwin

(74) *Attorney, Agent, or Firm* — Husch Blackwell LLP

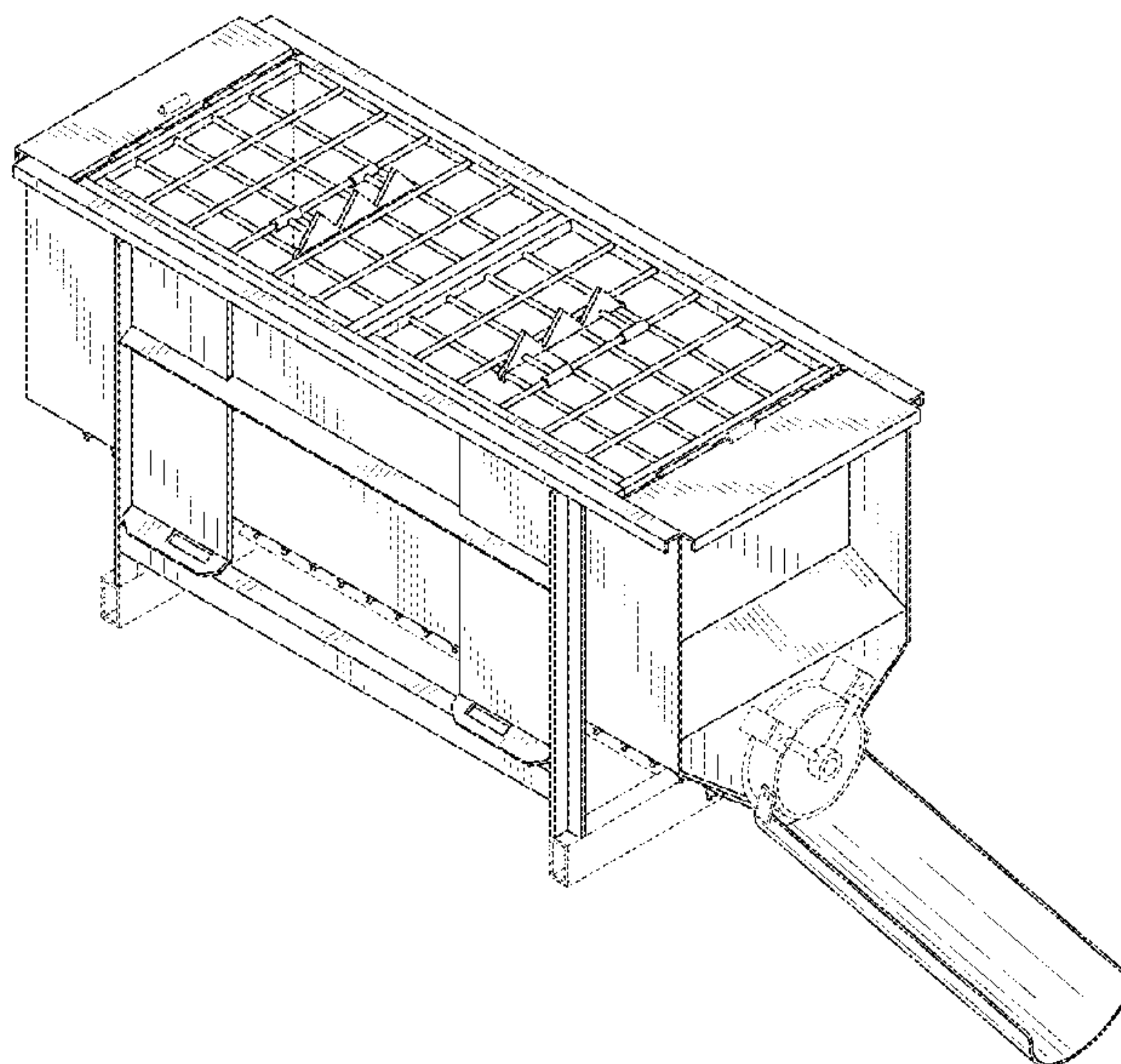
(57) **CLAIM**

The ornamental design for a concrete mixing device, as shown and described.

DESCRIPTION

FIG. 1 is a front perspective view of the design of a concrete mixing device showing the new design;
 FIG. 2 is a rear perspective view of the concrete mixing device shown in FIG. 1;
 FIG. 3 is a rear elevational view of the concrete mixing device shown in FIG. 1;
 FIG. 4 is a front elevational view of the concrete mixing device shown in FIG. 1;
 FIG. 5 is a left side elevational view of the concrete mixing device shown in FIG. 1;
 FIG. 6 is a right side elevational view of the concrete mixing device shown in FIG. 1; and,
 FIG. 7 is a top plan view of the concrete mixing device shown in FIG. 1; and,
 FIG. 8 is a bottom plan view of the concrete mixing device shown in FIG. 1.
 The broken lines shown in the drawing views are included for the purpose of showing environmental structure that forms no part of the claimed design.

1 Claim, 7 Drawing Sheets



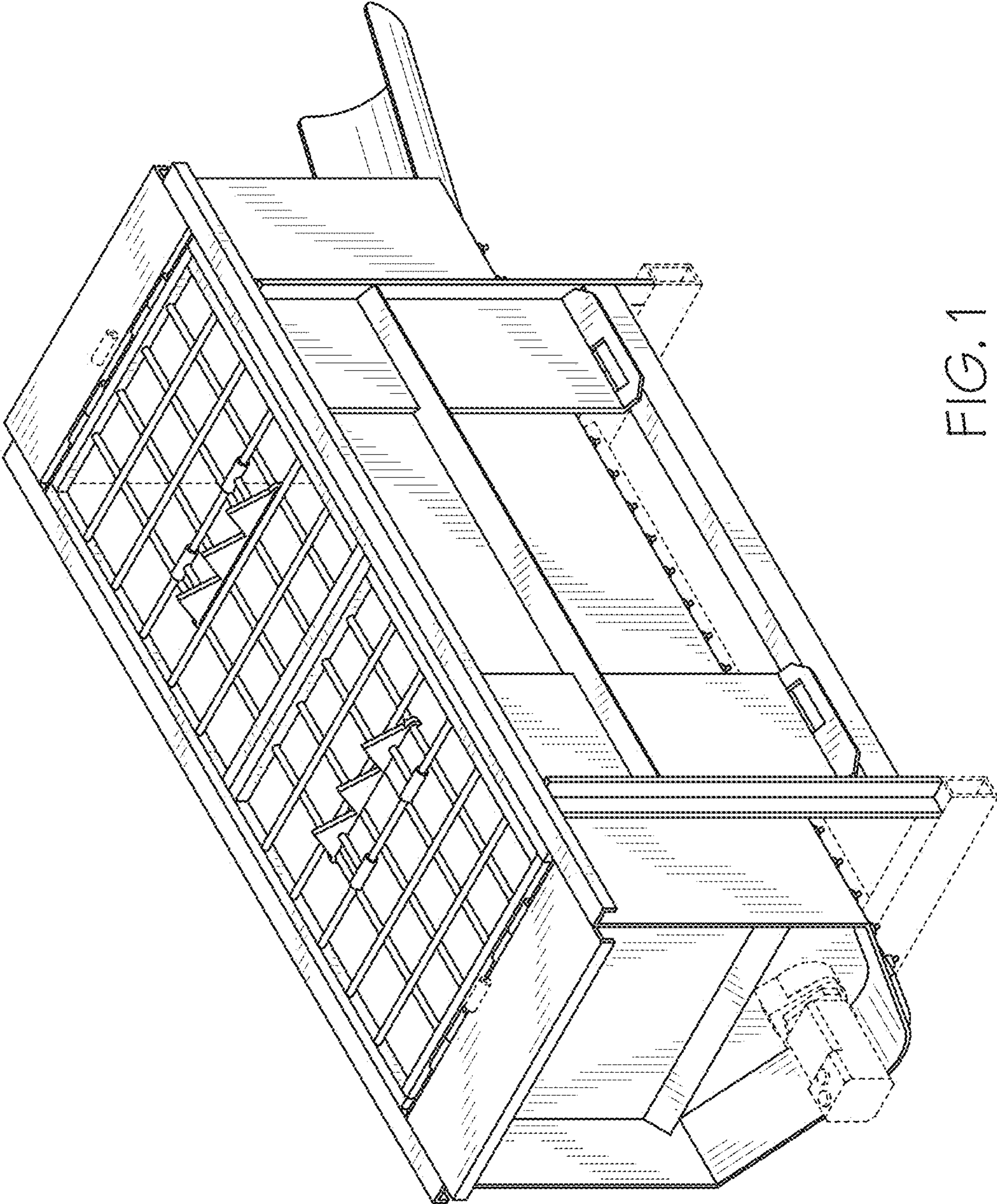


FIG. 1

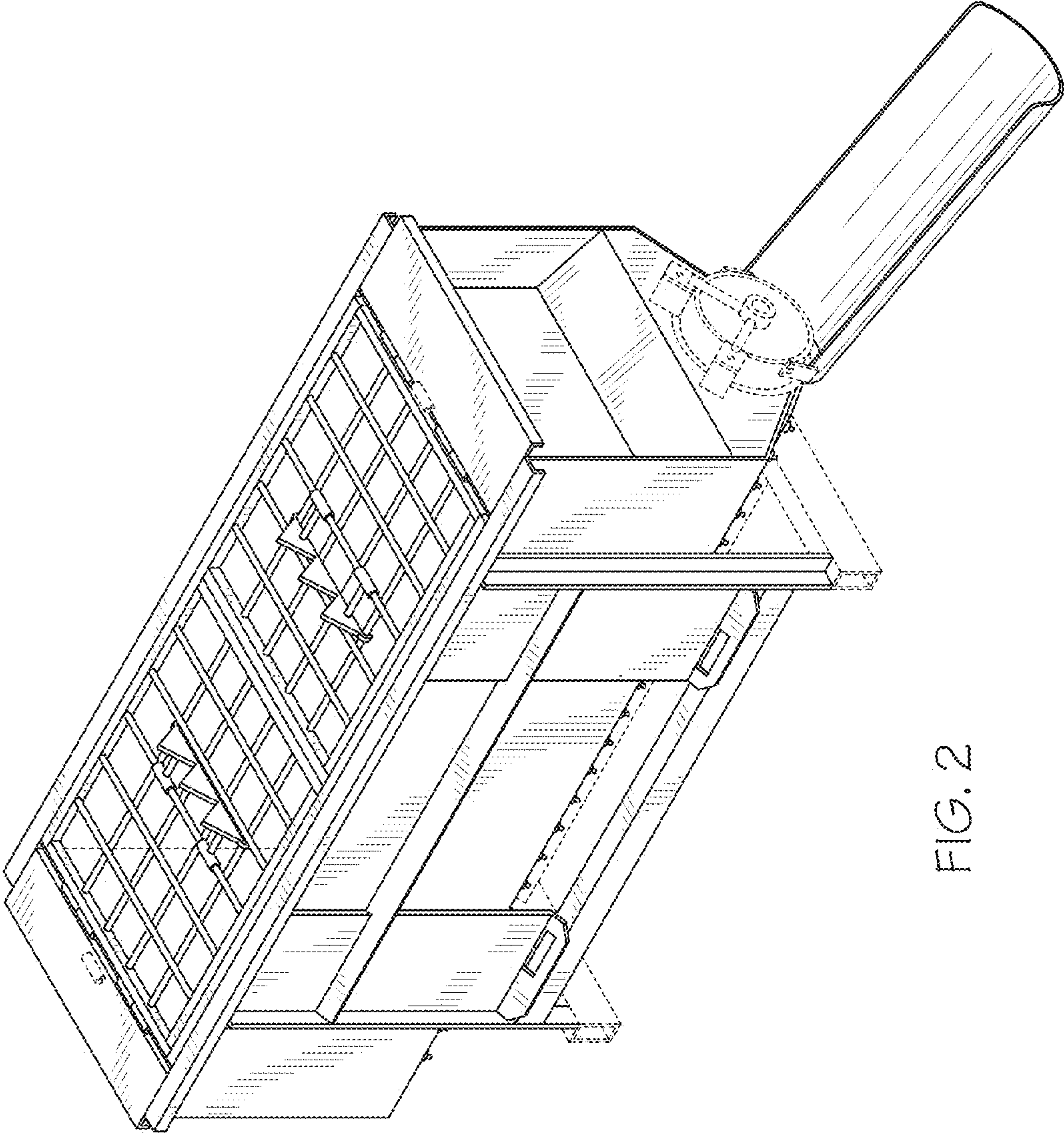


FIG. 2

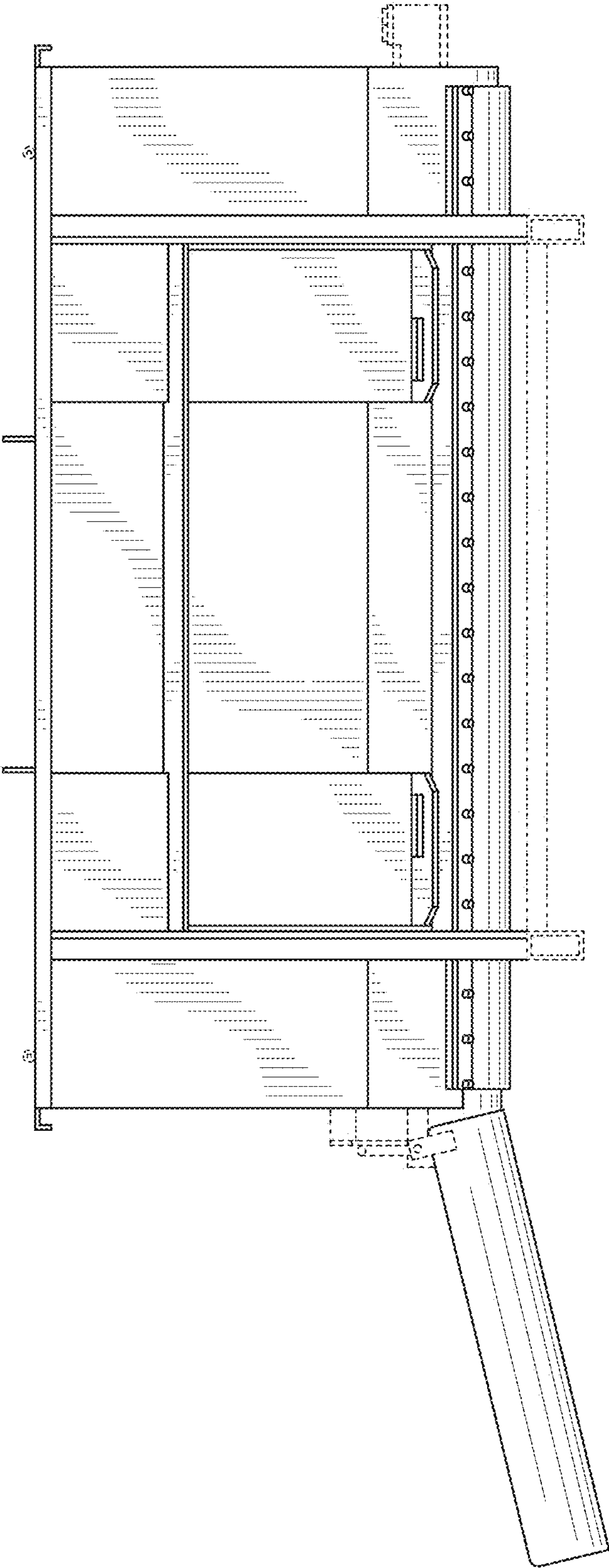


FIG. 3

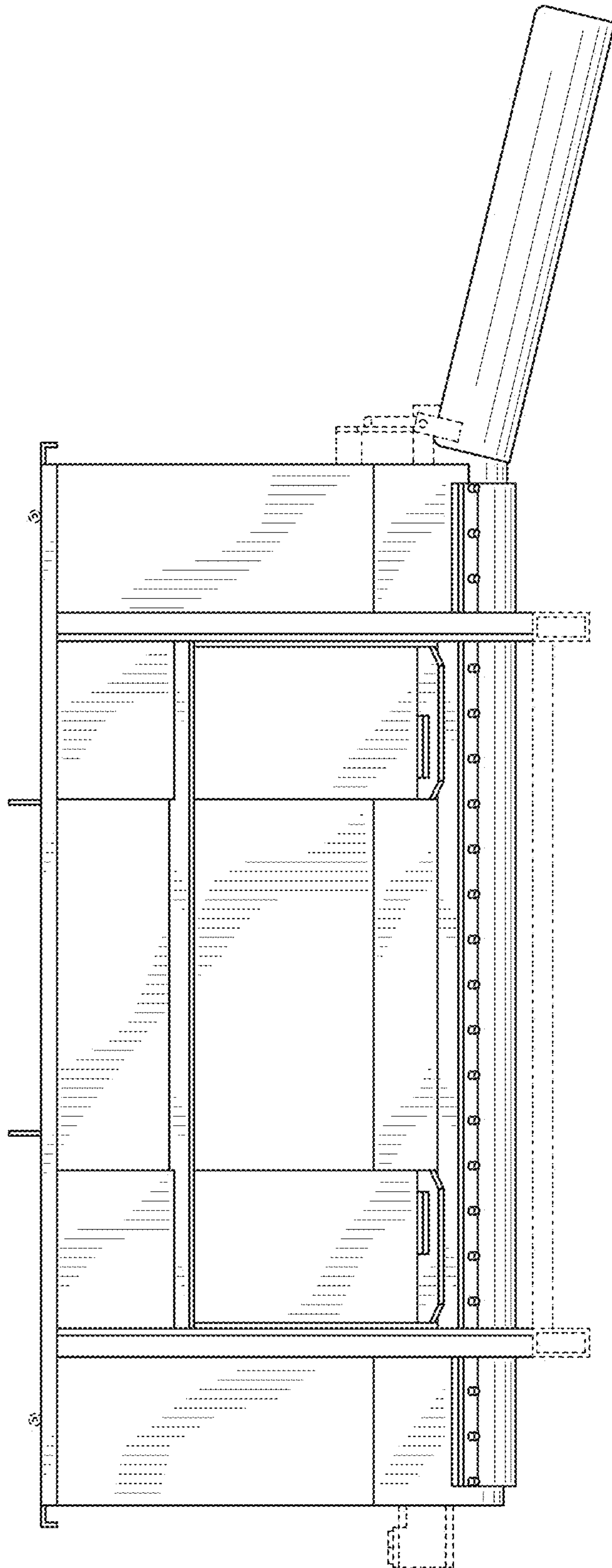


FIG. 4

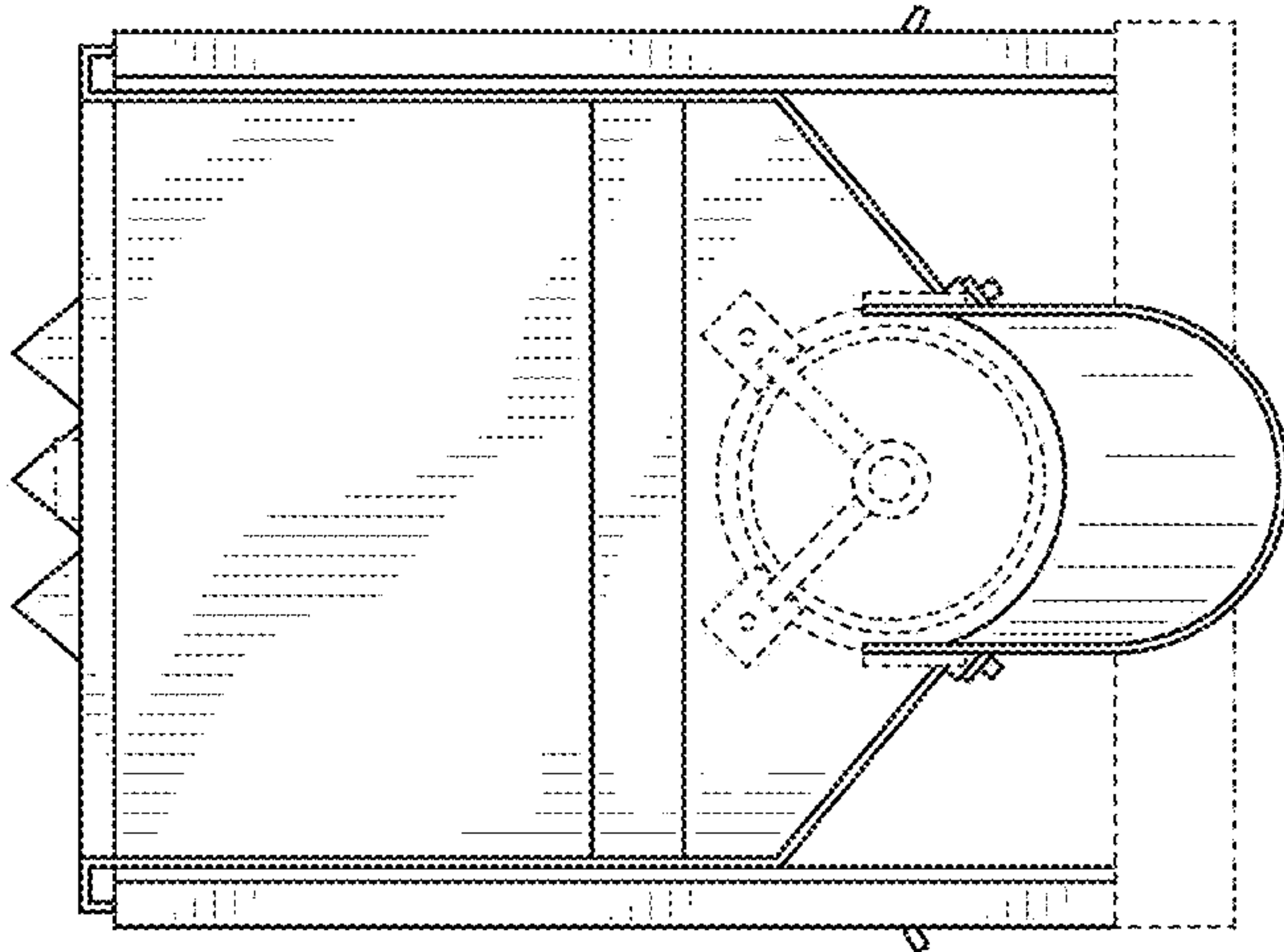


FIG. 6

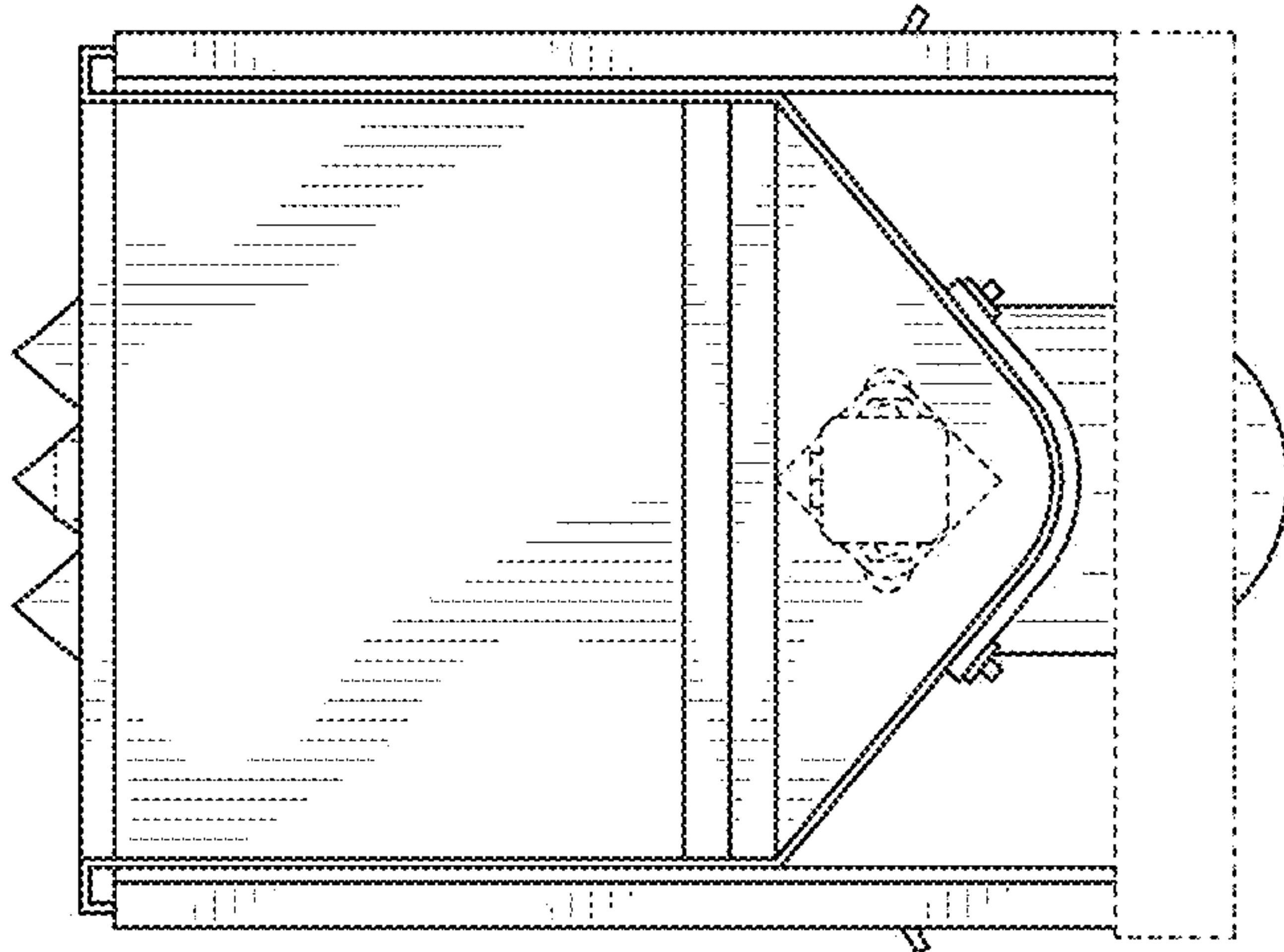


FIG. 5

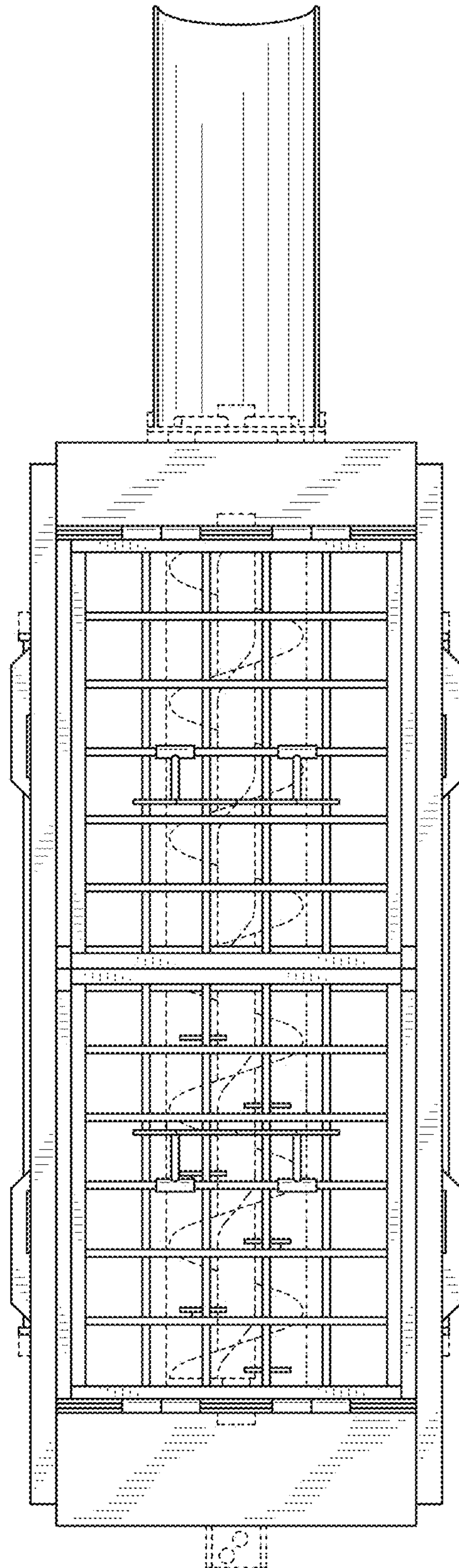


FIG. 7

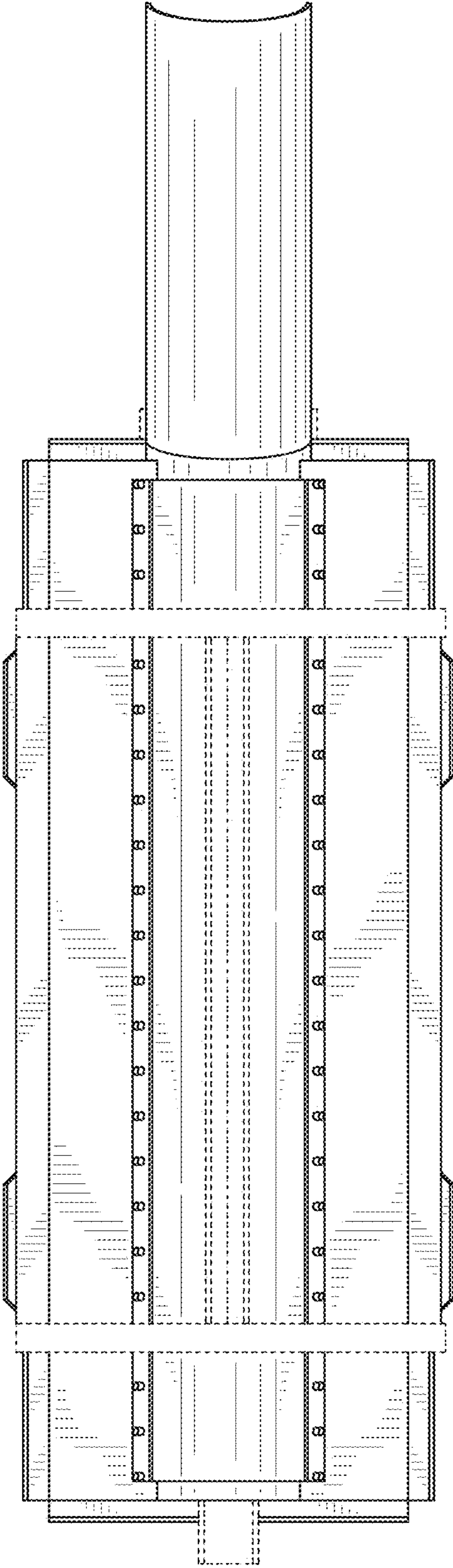


FIG. 8