



US00D760806S

(12) **United States Design Patent**
Cmich et al.

(10) **Patent No.:** **US D760,806 S**
(45) **Date of Patent:** **** Jul. 5, 2016**

- (54) **ROBOTIC MOWER**
- (71) Applicant: **MTD Products Inc**, Valley City, OH (US)
- (72) Inventors: **Ryan Cmich**, Sharon Township, OH (US); **Ryan W. Maibach**, Medina, OH (US)
- (73) Assignee: **MTD Products Inc**, Valley City, OH (US)
- (**) Term: **15 Years**

D559,867	S *	1/2008	Abramson	D15/14
7,444,206	B2	10/2008	Abramson et al.		
7,613,543	B2	11/2009	Petersson et al.		
7,668,631	B2	2/2010	Bernini		
7,729,801	B2	6/2010	Abramson		
7,769,490	B2	8/2010	Abramson et al.		
8,046,103	B2	10/2011	Abramson et al.		
D652,431	S *	1/2012	Naslund	D15/14
D656,163	S *	3/2012	Johansson	D15/14
8,239,992	B2	8/2012	Schnittman et al.		
D678,352	S *	3/2013	Maeda	D15/14
D679,294	S *	4/2013	Tajik	D15/14
D679,295	S *	4/2013	Tajik	D15/14
D681,065	S *	4/2013	Maeda	D15/14

(Continued)

- (21) Appl. No.: **29/529,350**
- (22) Filed: **Jun. 5, 2015**
- (51) **LOC (10) Cl.** **15-03**
- (52) **U.S. Cl.**
USPC **D15/14; D15/17**
- (58) **Field of Classification Search**
USPC D15/14, 17, 18; 56/11.9, 17.5, 13.4, 56/12.8, 16.7, 202, 255, 294, 295, 320.1, 56/320.2; 180/900, 89.1, 89.12
CPC A01D 34/008; A01D 34/81; B60L 1/003; B60L 3/0061; B60L 11/1803; B60L 11/1805; B60L 11/1877; B60L 15/20; B60L 2260/28; B60L 2200/40; B60L 2220/16; B60L 2220/46; B60L 2240/36; B60L 2240/421
See application file for complete search history.

FOREIGN PATENT DOCUMENTS

EP	2648307	A1	10/2013
EP	2656718	A1	10/2013
EP	2852029	A1	3/2015

Primary Examiner — Mark Goodwin

(74) *Attorney, Agent, or Firm* — Wegman, Hessler & Vanderburg

(57) **CLAIM**

We claim the ornamental design for a robotic mower, as shown and described.

DESCRIPTION

FIG. 1 is a top perspective view of a robotic mower showing our new design;
 FIG. 2 is a front view thereof;
 FIG. 3 is a rear view thereof;
 FIG. 4 is a left side view thereof;
 FIG. 5 is a right side view thereof;
 FIG. 6 is a top view; and,
 FIG. 7 is a bottom view.

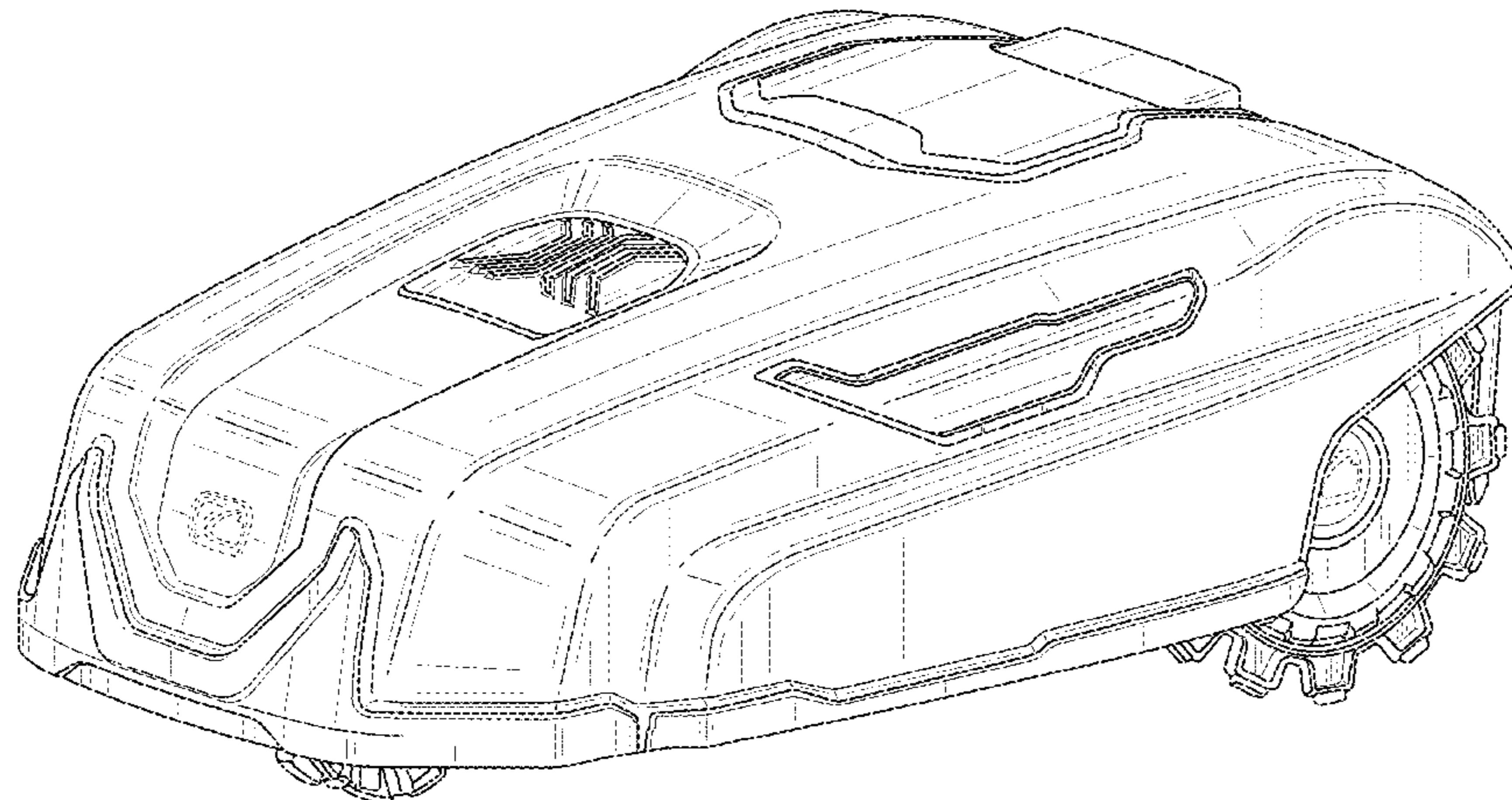
The ornamental design which is claimed is shown in solid lines in the drawings.

Any broken lines in the drawings are for illustrative purposes only and form no part of the claimed design.

1 Claim, 7 Drawing Sheets

(56) **References Cited**
U.S. PATENT DOCUMENTS

5,204,814	A	4/1993	Noonan et al.		
D420,365	S *	2/2000	Gunnar	D15/14
6,321,515	B1	11/2001	Colens		
D451,931	S *	12/2001	Abramson	D15/14
6,327,741	B1	12/2001	Reed		
6,339,735	B1	1/2002	Peless et al.		
6,493,613	B2	12/2002	Peless et al.		
D504,901	S *	5/2005	Wickstrom	D15/14
7,079,923	B2	7/2006	Abramson et al.		



(56)

References Cited

U.S. PATENT DOCUMENTS

8,428,776	B2	4/2013	Letsky	8,868,237	B2	10/2014	Sandin et al.
8,452,450	B2	5/2013	Dooley et al.	8,983,693	B2	3/2015	Yamamura et al.
D688,276	S *	8/2013	Naslund D15/14	2006/0150361	A1	7/2006	Aldred et al.
8,532,822	B2	9/2013	Abramson et al.	2011/0234153	A1	9/2011	Abramson
8,600,582	B2	12/2013	Bernini	2013/0211646	A1	8/2013	Yamamura et al.
8,676,378	B2	3/2014	Tian et al.	2013/0211647	A1	8/2013	Yamamura et al.
8,818,602	B2	8/2014	Yamamura et al.	2013/0317680	A1	11/2013	Yamamura et al.
				2014/0031979	A1	1/2014	Borinato et al.
				2014/0058611	A1	2/2014	Borinato
				2014/0324269	A1	10/2014	Abramson et al.

* cited by examiner

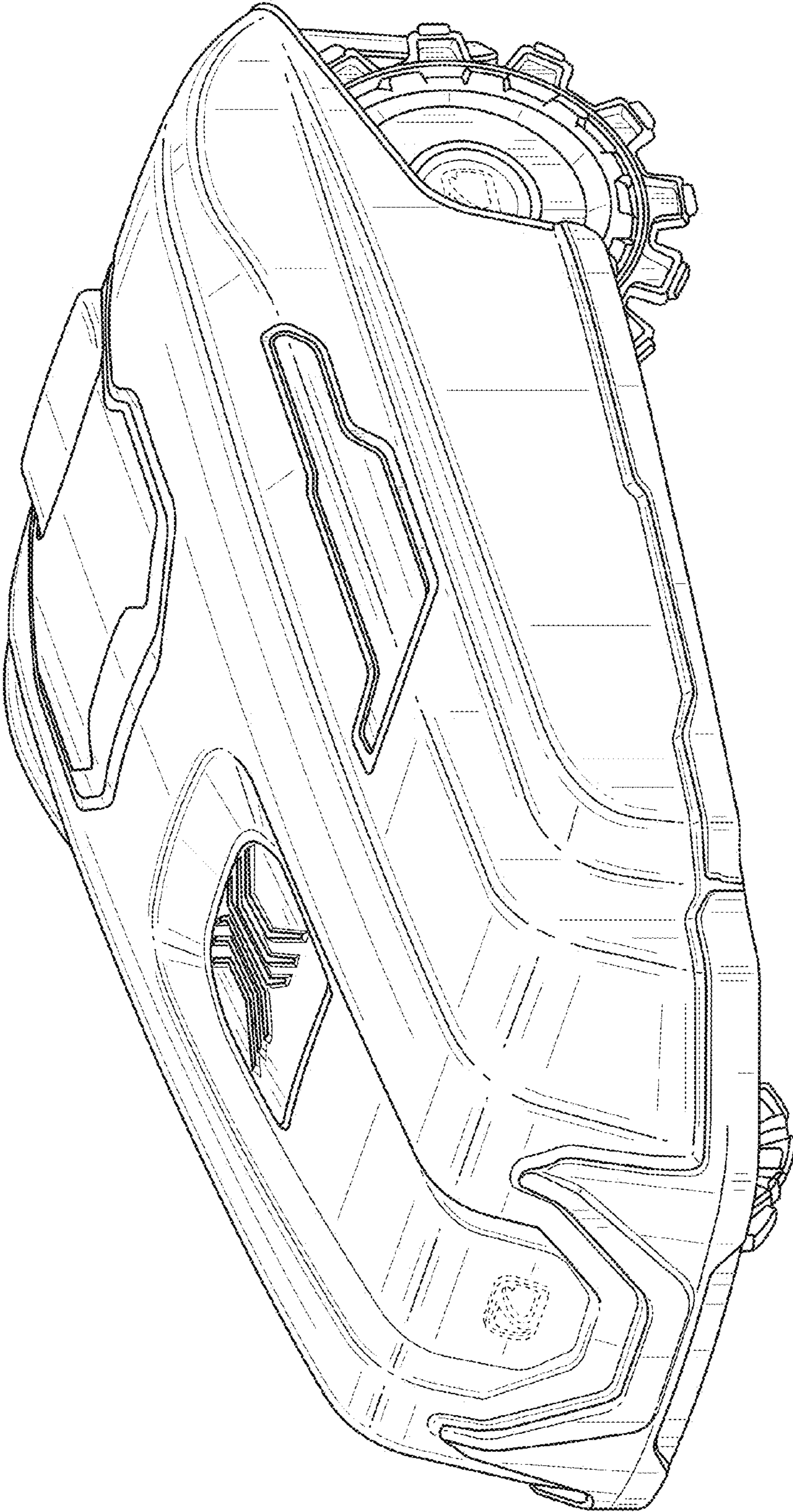


FIG. 1

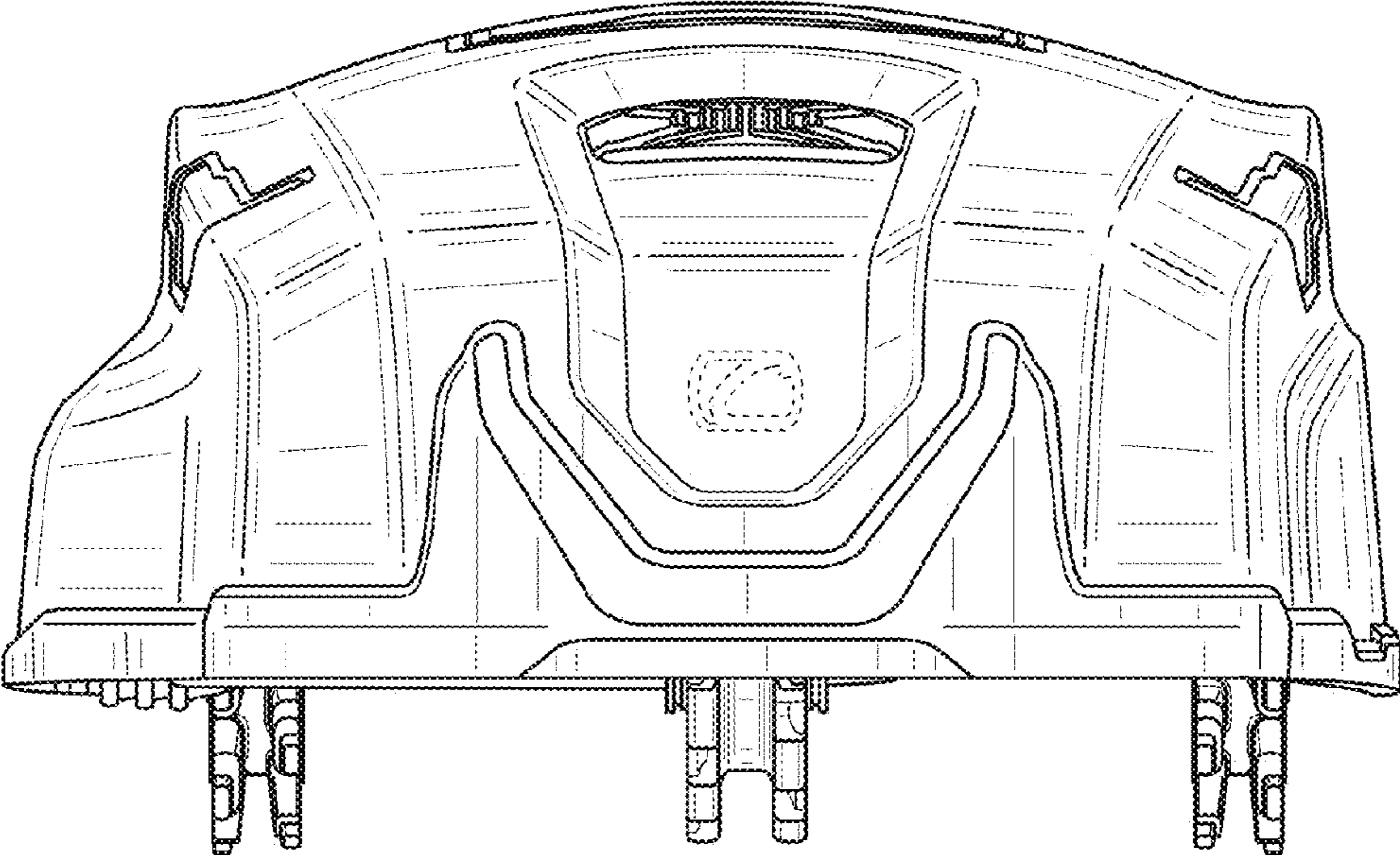


FIG. 2

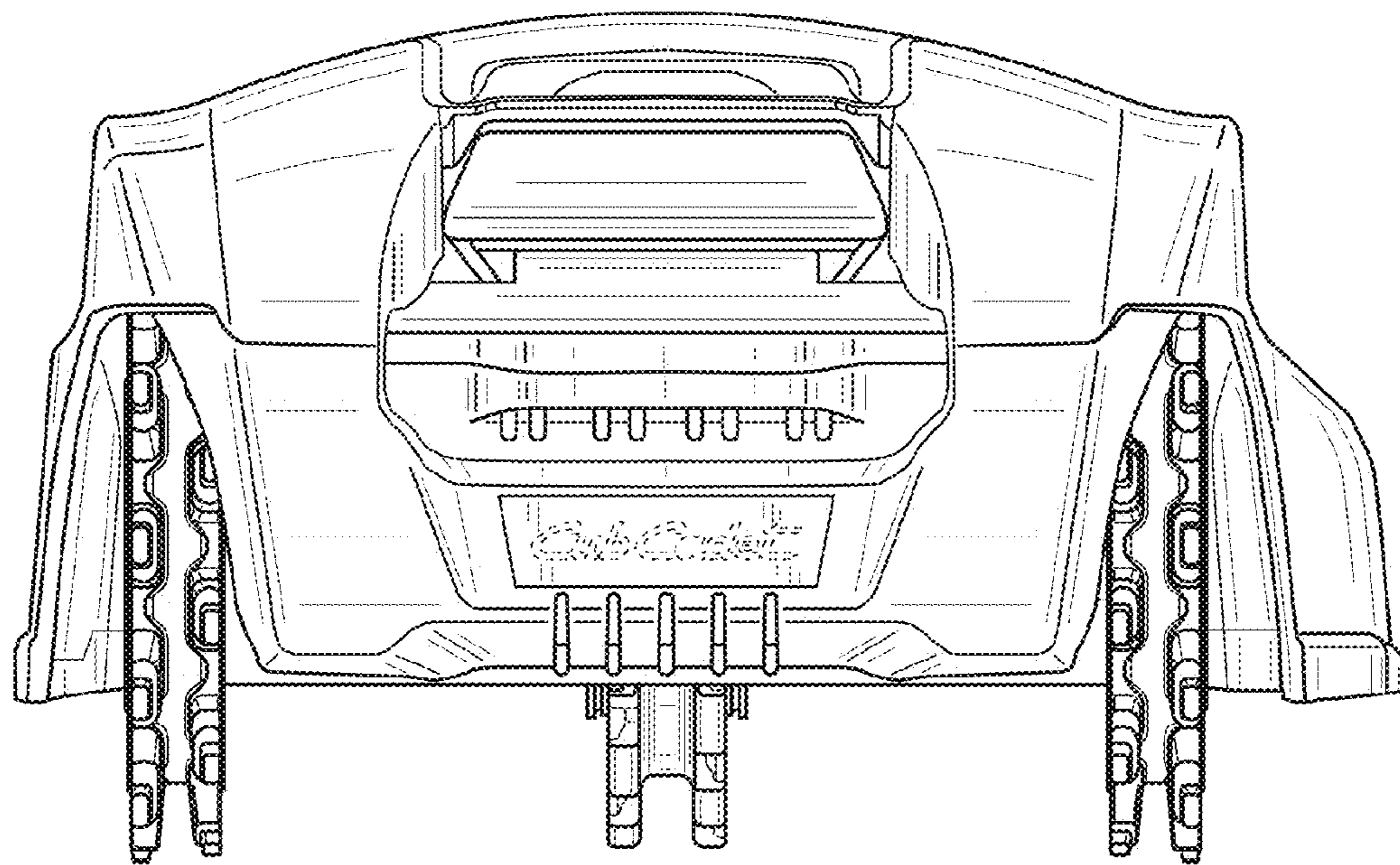


FIG. 3

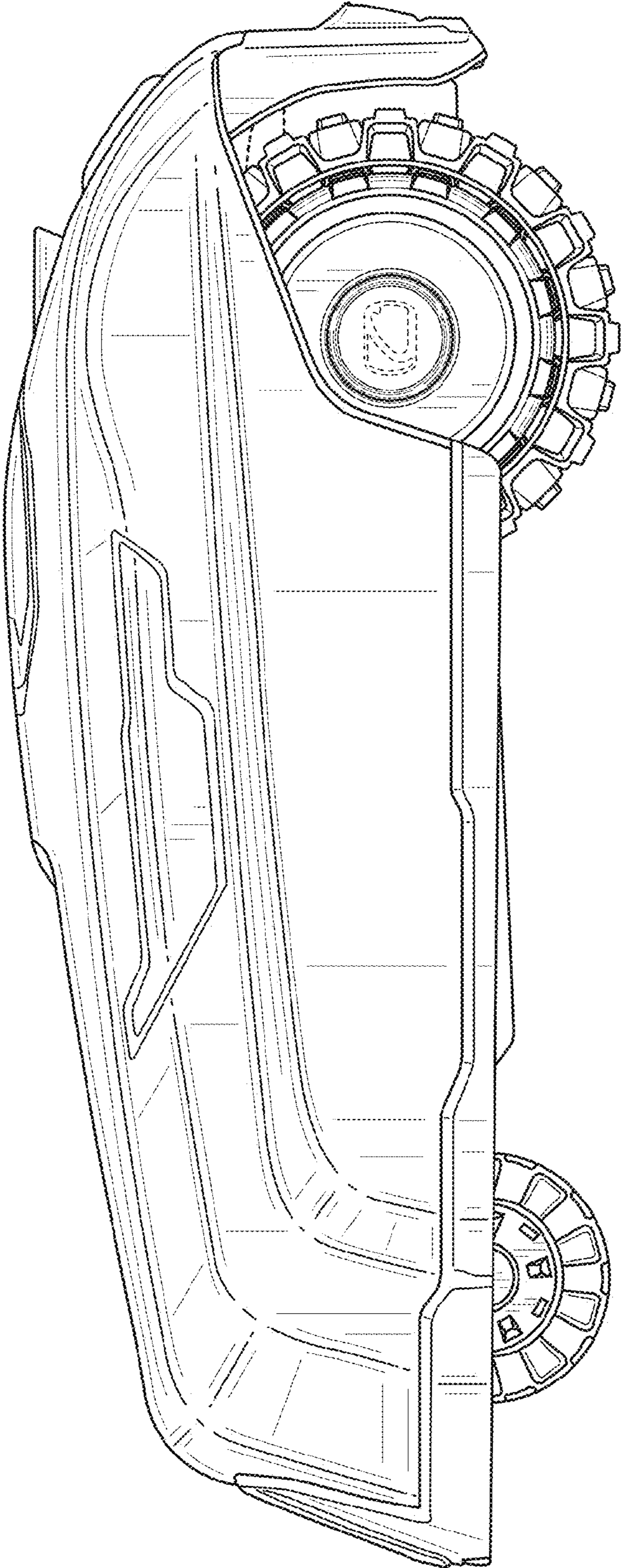


FIG. 4

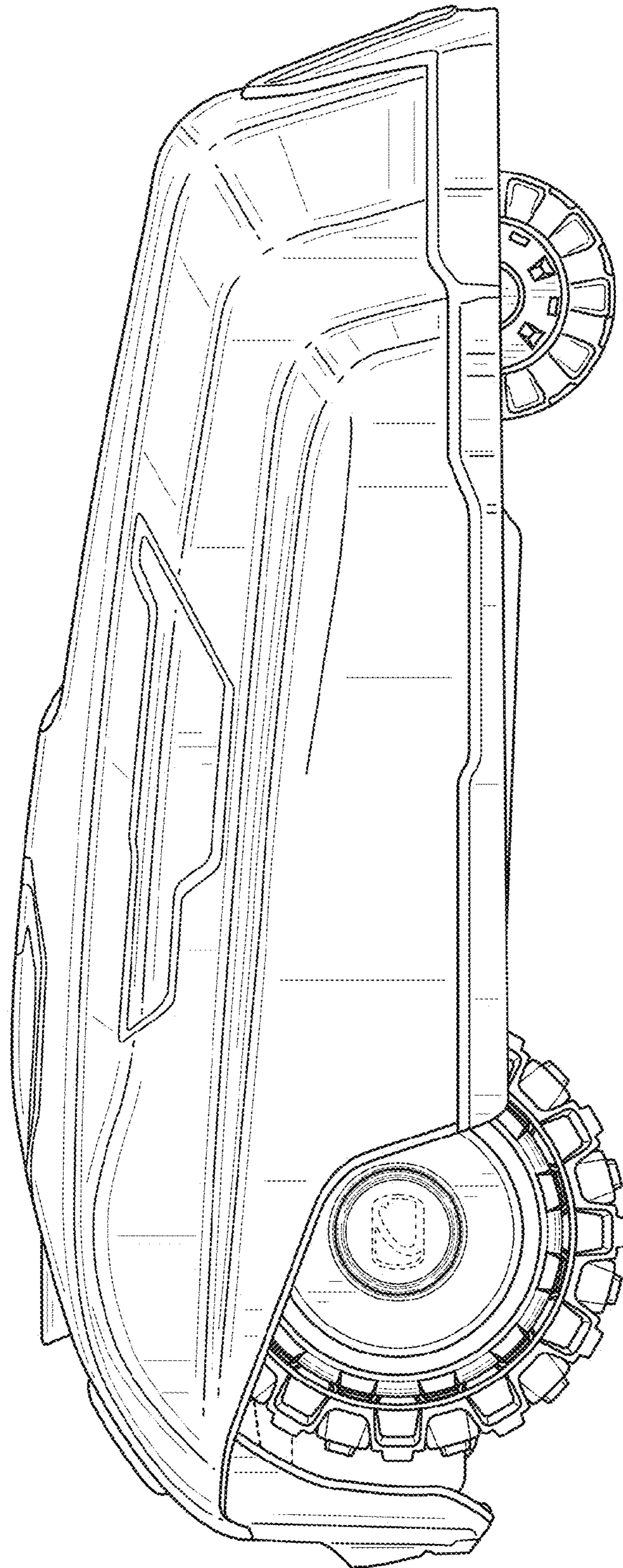


FIG. 5

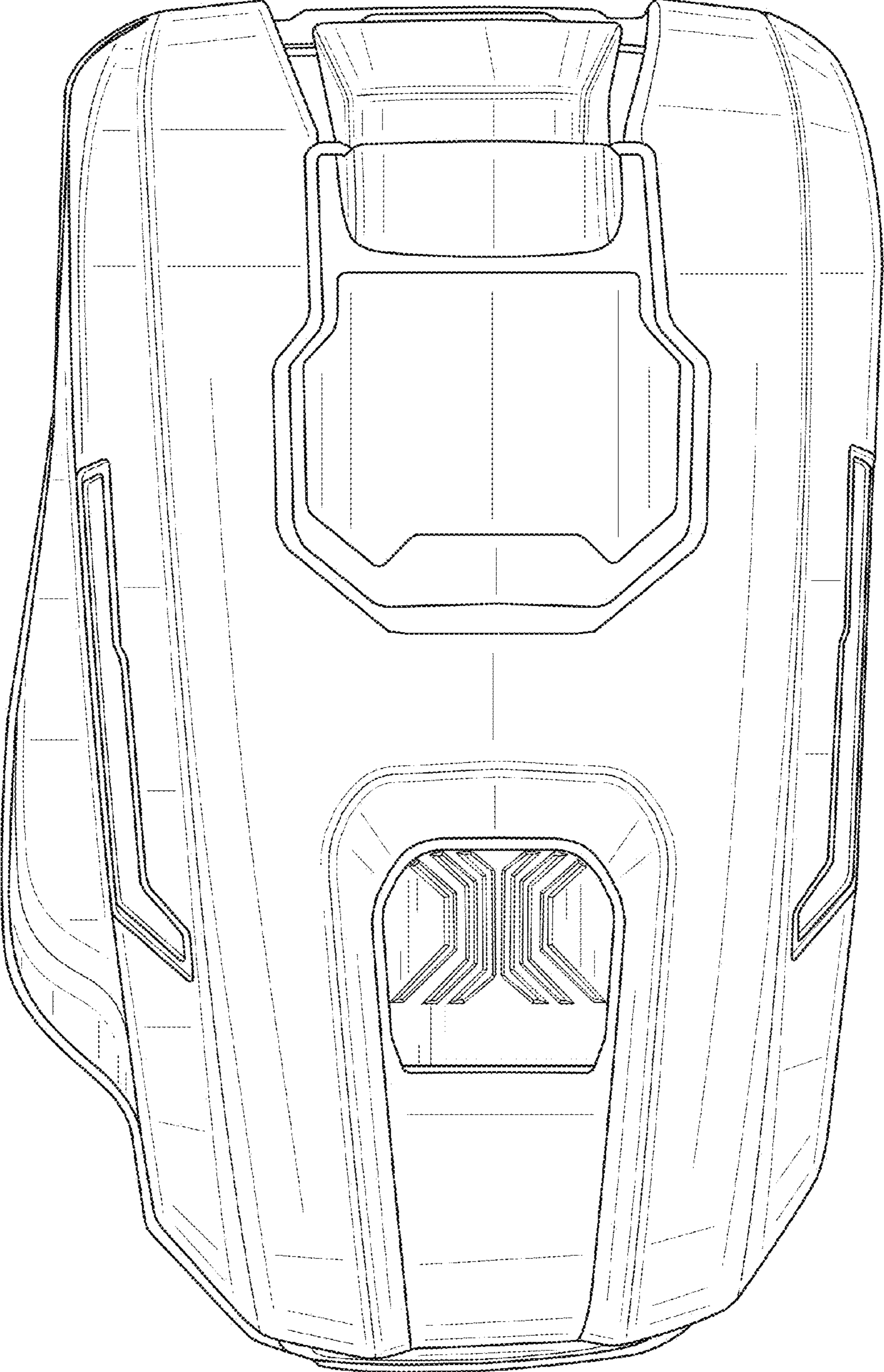


FIG. 6

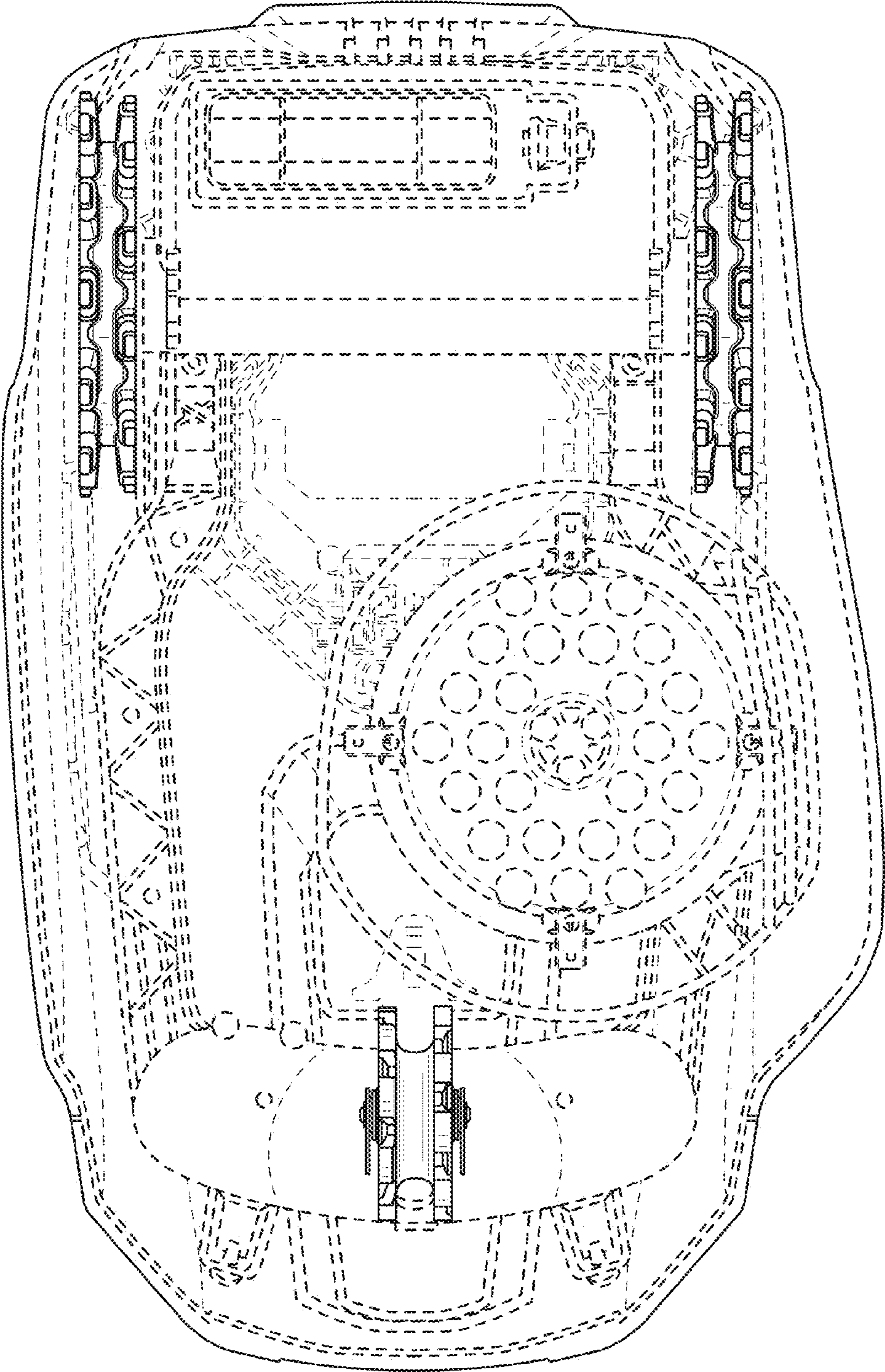


FIG. 7