



US00D760805S

(12) **United States Design Patent**
Monden

(10) **Patent No.:** **US D760,805 S**
(45) **Date of Patent:** **** Jul. 5, 2016**

(54) **FLUID PRESSURE CYLINDER**

(71) Applicant: **SMC CORPORATION**, Tokyo (JP)

(72) Inventor: **Kengo Monden**, Ushiku (JP)

(73) Assignee: **SMC CORPORATION**, Tokyo (JP)

(**) Term: **14 Years**

(21) Appl. No.: **29/504,687**

(22) Filed: **Oct. 8, 2014**

(30) **Foreign Application Priority Data**

Apr. 11, 2014 (CN) 2014 3 0085661

(51) **LOC (10) Cl.** **15-02**

(52) **U.S. Cl.**
USPC **D15/7**

(58) **Field of Classification Search**
USPC D15/7-9, 143; D23/231, 232, 225;
417/60, 235, 265, 321, 355, 358, 363,
417/359, 410.1, 415-416, 405, 900;
60/408, 412; 184/26-37; 415/140-147;
123/495, 509; 137/565.34; D10/85
CPC F02M 37/04; F02M 37/14
See application file for complete search history.

(56) **References Cited**

U.S. PATENT DOCUMENTS

D370,683 S * 6/1996 Stahlman D15/7
D378,680 S * 4/1997 Ikumi D15/7

(Continued)

FOREIGN PATENT DOCUMENTS

JP D1444539 S 6/2012
JP D1444540 S 6/2012

Primary Examiner — Ralf Seifert

(74) *Attorney, Agent, or Firm* — Birch, Stewart, Kolasch & Birch, LLP

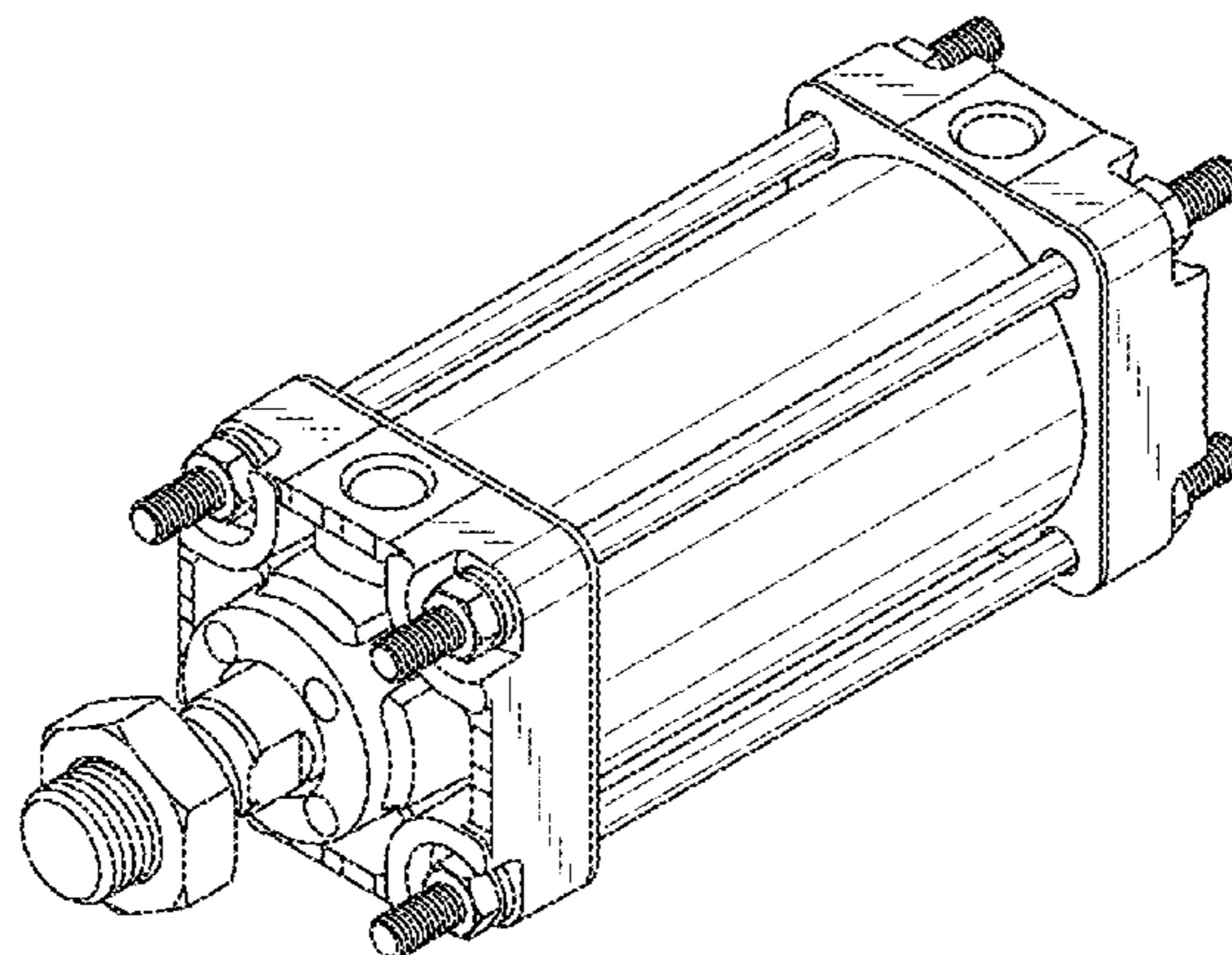
(57) **CLAIM**

The ornamental design for a fluid pressure cylinder, as shown.

DESCRIPTION

FIG. 1 is a front, top and left side perspective view of a fluid pressure cylinder showing a first embodiment of my design; FIG. 2 is a front view thereof; FIG. 3 is a rear view thereof; FIG. 4 is a top plan view thereof; FIG. 5 is a bottom plan view thereof; FIG. 6 is a left side view thereof; FIG. 7 is a right side view thereof; FIG. 8 is a front, top and left side perspective view of a fluid pressure cylinder showing a second embodiment of my design; FIG. 9 is a front view thereof; FIG. 10 is a rear view thereof; FIG. 11 is a top plan view thereof; FIG. 12 is a bottom plan view thereof; FIG. 13 is a left side view thereof; FIG. 14 is a right side view thereof; FIG. 15 is a front, top and left side perspective view of a fluid pressure cylinder showing a third embodiment of my design; FIG. 16 is a front view thereof; FIG. 17 is a rear view thereof; FIG. 18 is a top plan view thereof; FIG. 19 is a bottom plan view thereof; FIG. 20 is a left side view thereof; FIG. 21 is a right side view thereof; FIG. 22 is a front, top and left side perspective view of a fluid pressure cylinder showing a fourth embodiment of my design; FIG. 23 is a front view thereof; FIG. 24 is a rear view thereof; FIG. 25 is a top plan view thereof; FIG. 26 is a bottom plan view thereof; FIG. 27 is a left side view thereof; and, FIG. 28 is a right side view thereof. The broken lines are included for the purpose of illustrating portions of the fluid pressure cylinder that form no part of the claimed design.

1 Claim, 28 Drawing Sheets



(56)

References Cited

U.S. PATENT DOCUMENTS

D380,217 S * 6/1997 Jermeay D15/5
D420,683 S * 2/2000 Suzuki D15/7
D480,405 S * 10/2003 Kleffmann D15/143
D572,282 S * 7/2008 Yaegashi D15/143
D575,175 S * 8/2008 Suzuki D10/85

D584,324 S * 1/2009 Yaegashi D15/143
D669,097 S 10/2012 Hariwara
D669,098 S 10/2012 Hariwara
D682,901 S * 5/2013 Peschel D15/143
D699,759 S * 2/2014 Peschel D15/7
D699,760 S * 2/2014 Peschel D15/7
D699,761 S * 2/2014 Peschel D15/7

* cited by examiner

FIG. 1

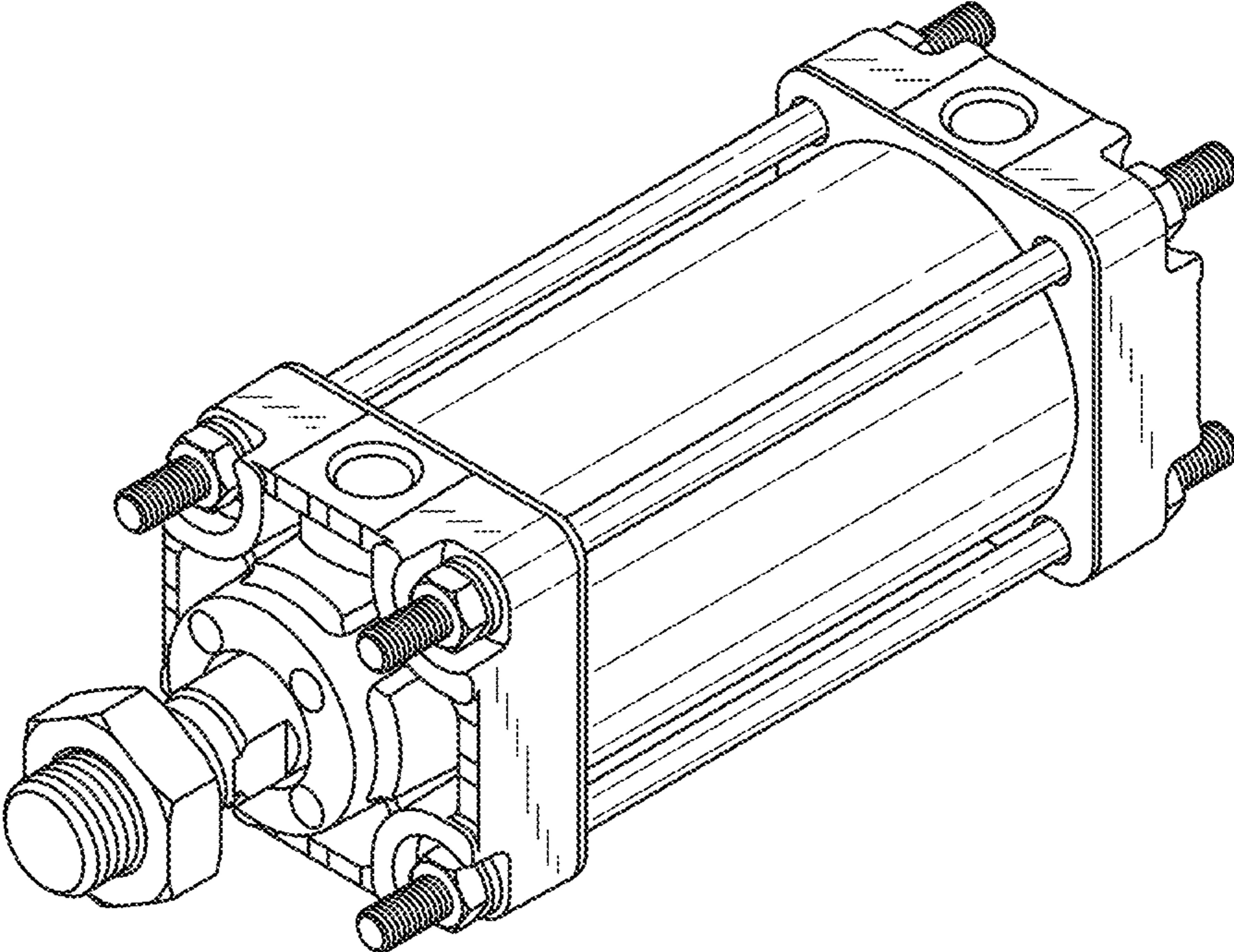


FIG. 2

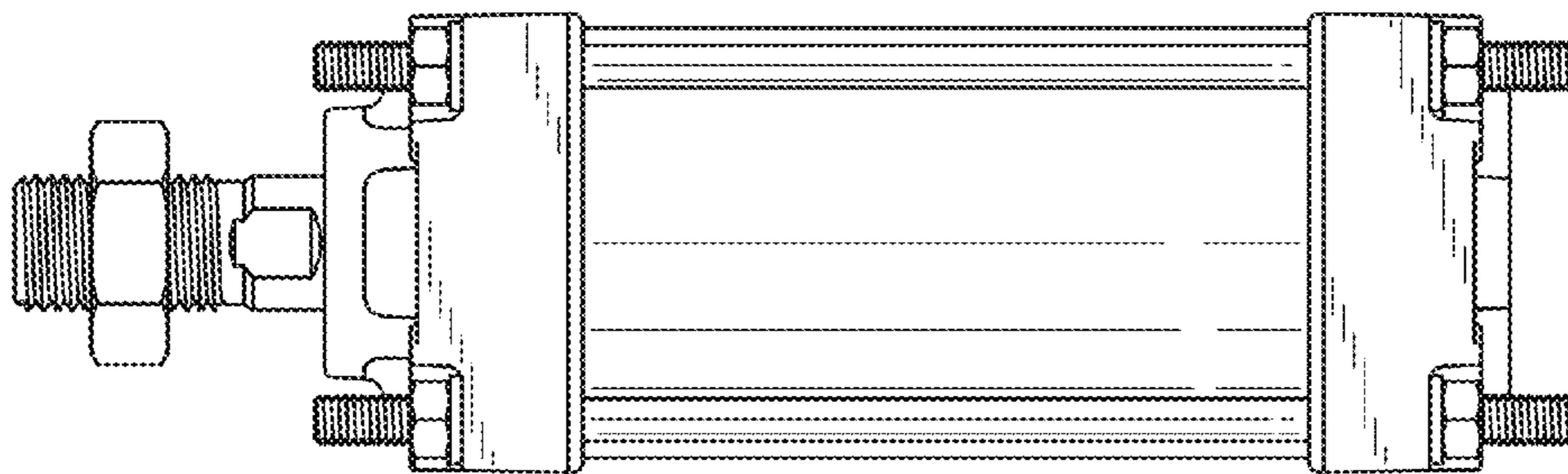


FIG. 3

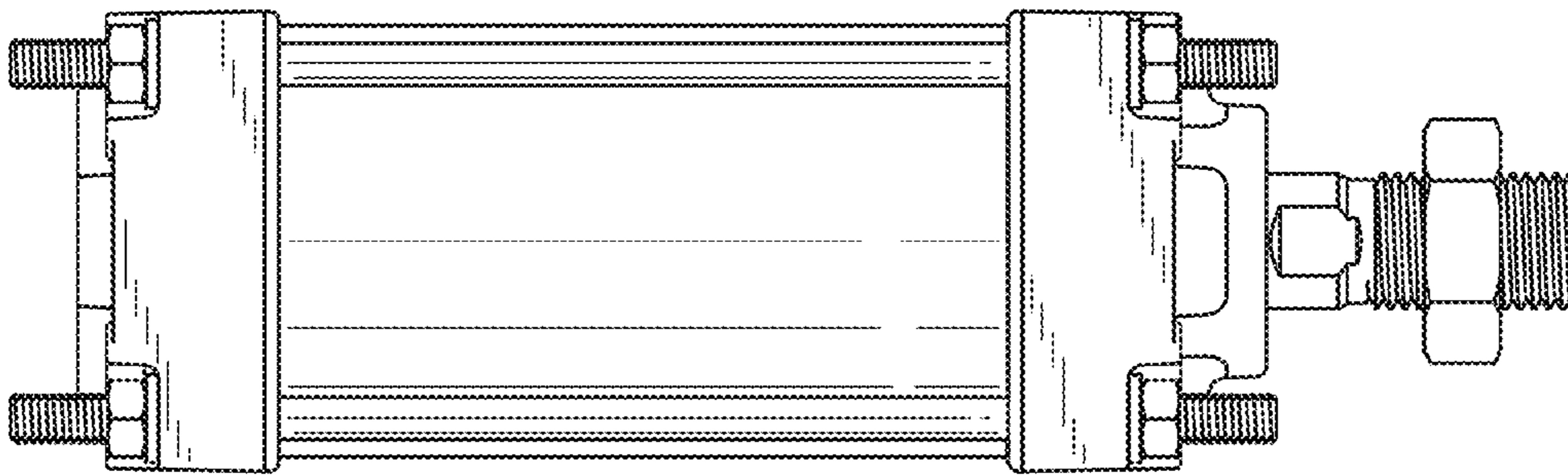


FIG. 4

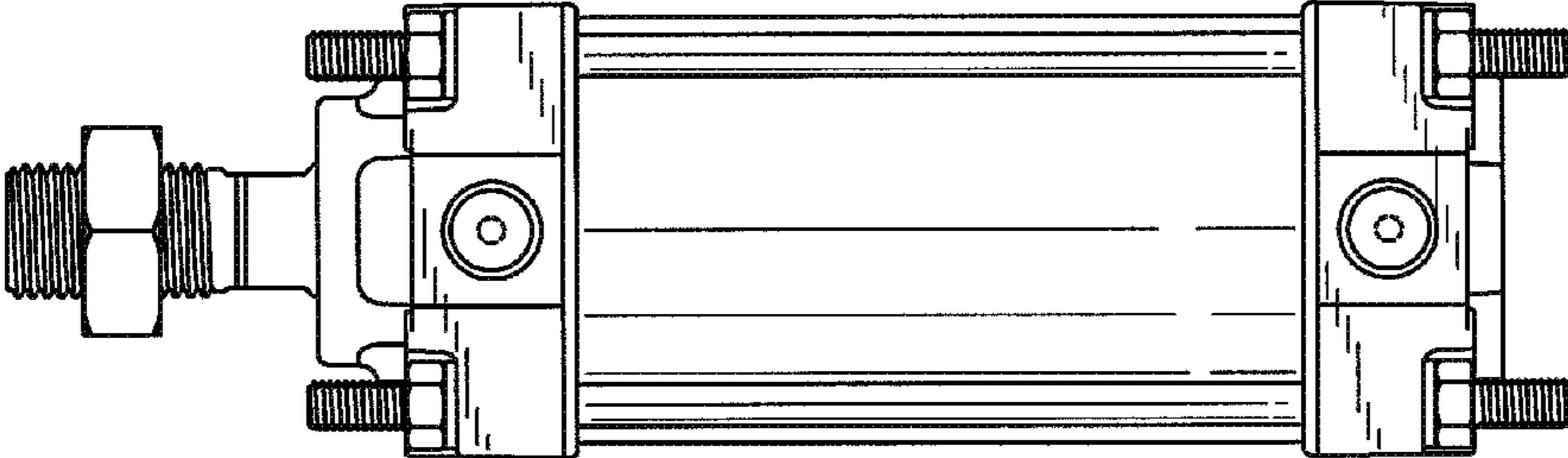


FIG. 5

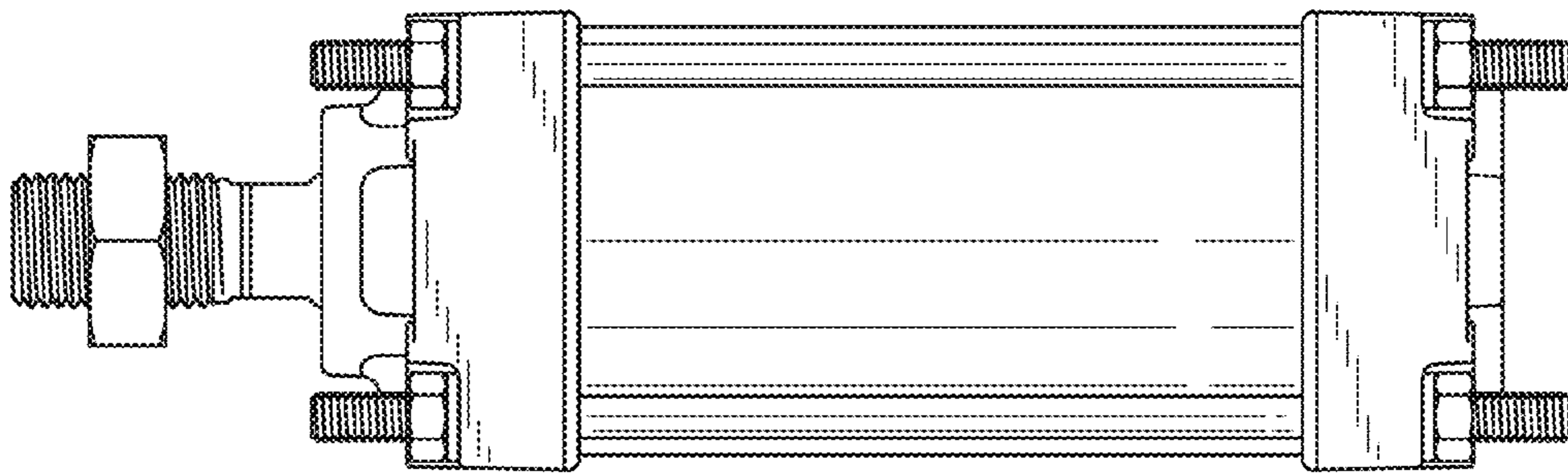


FIG. 6

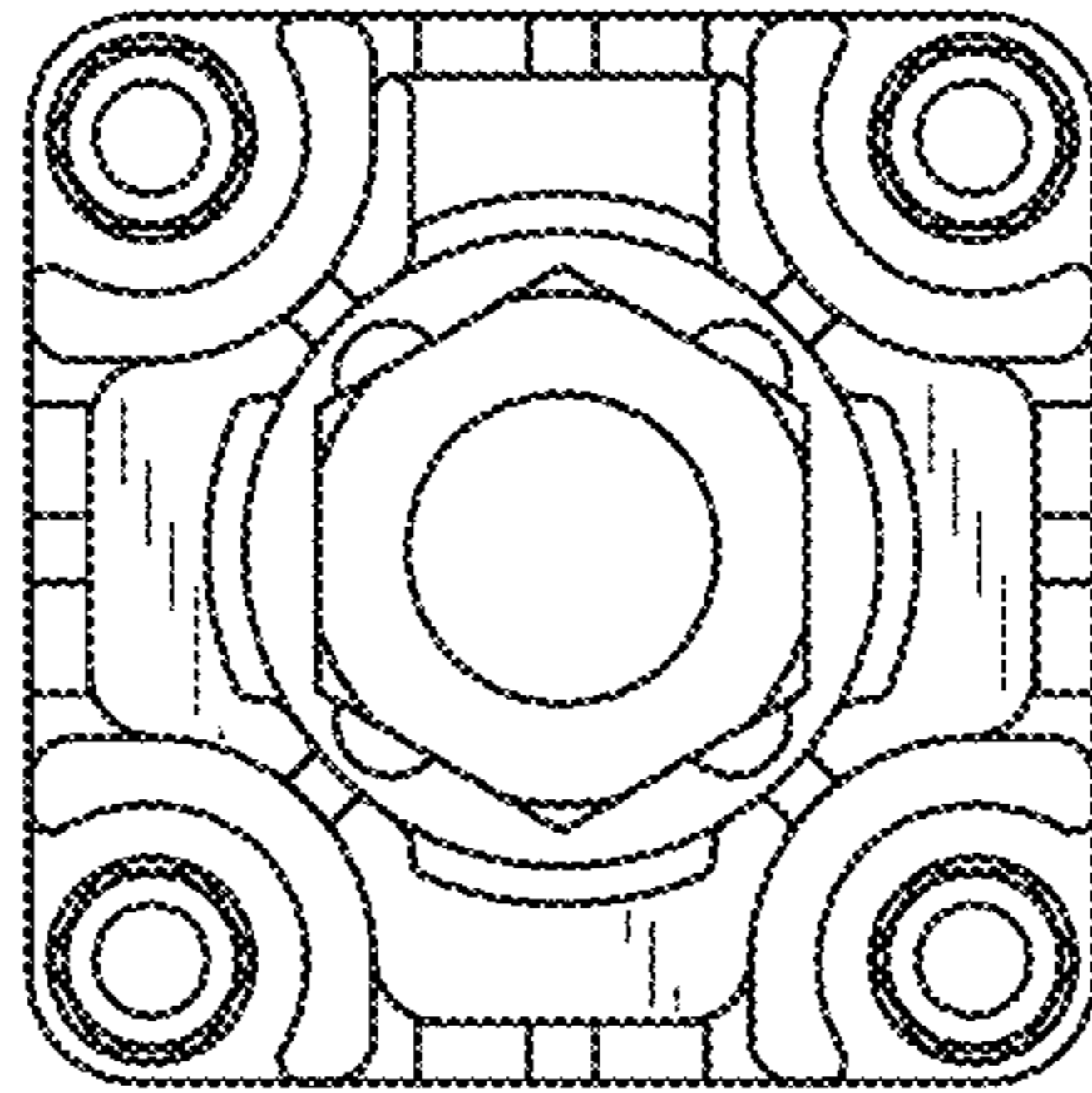


FIG. 7

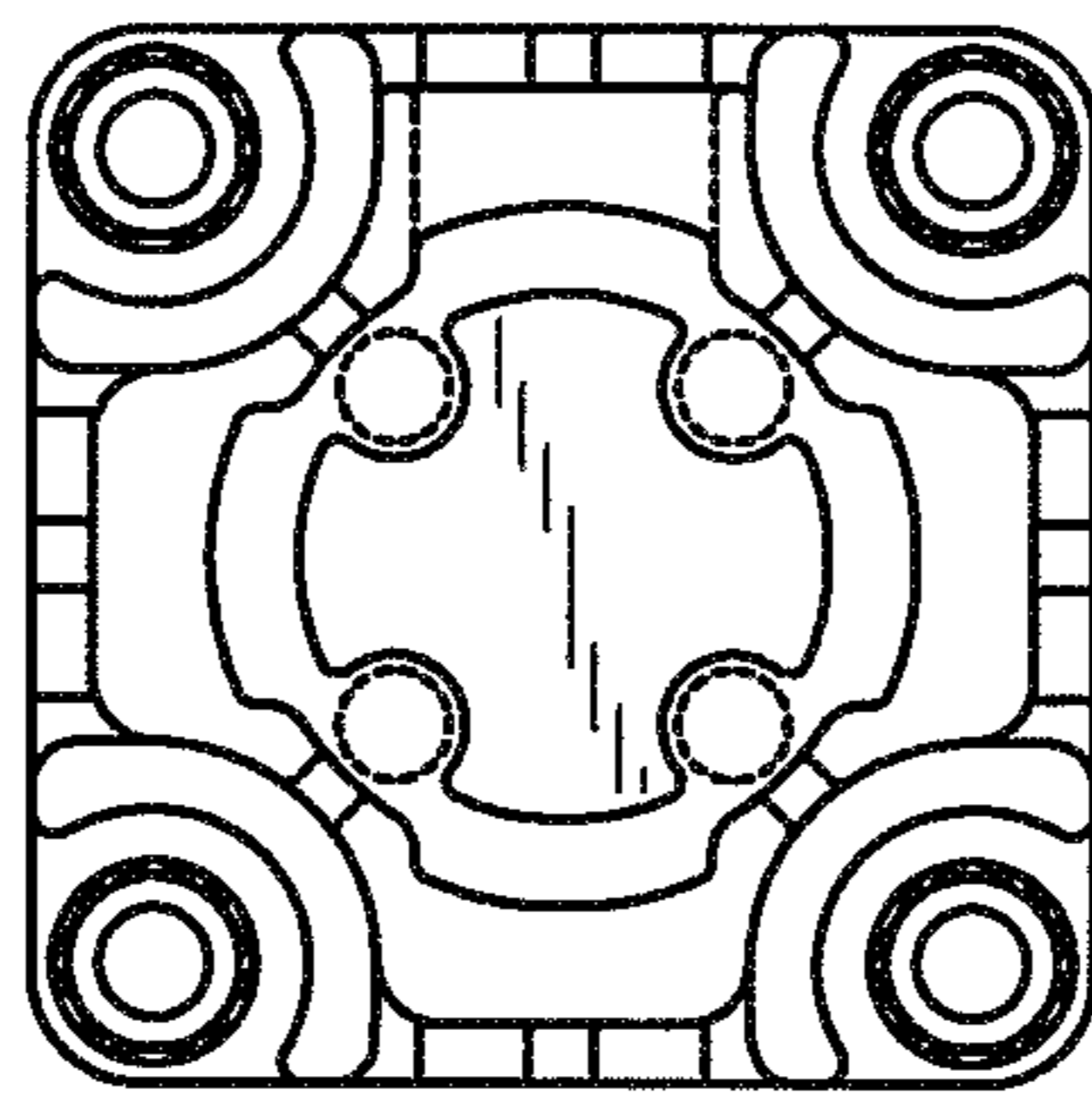


FIG. 8

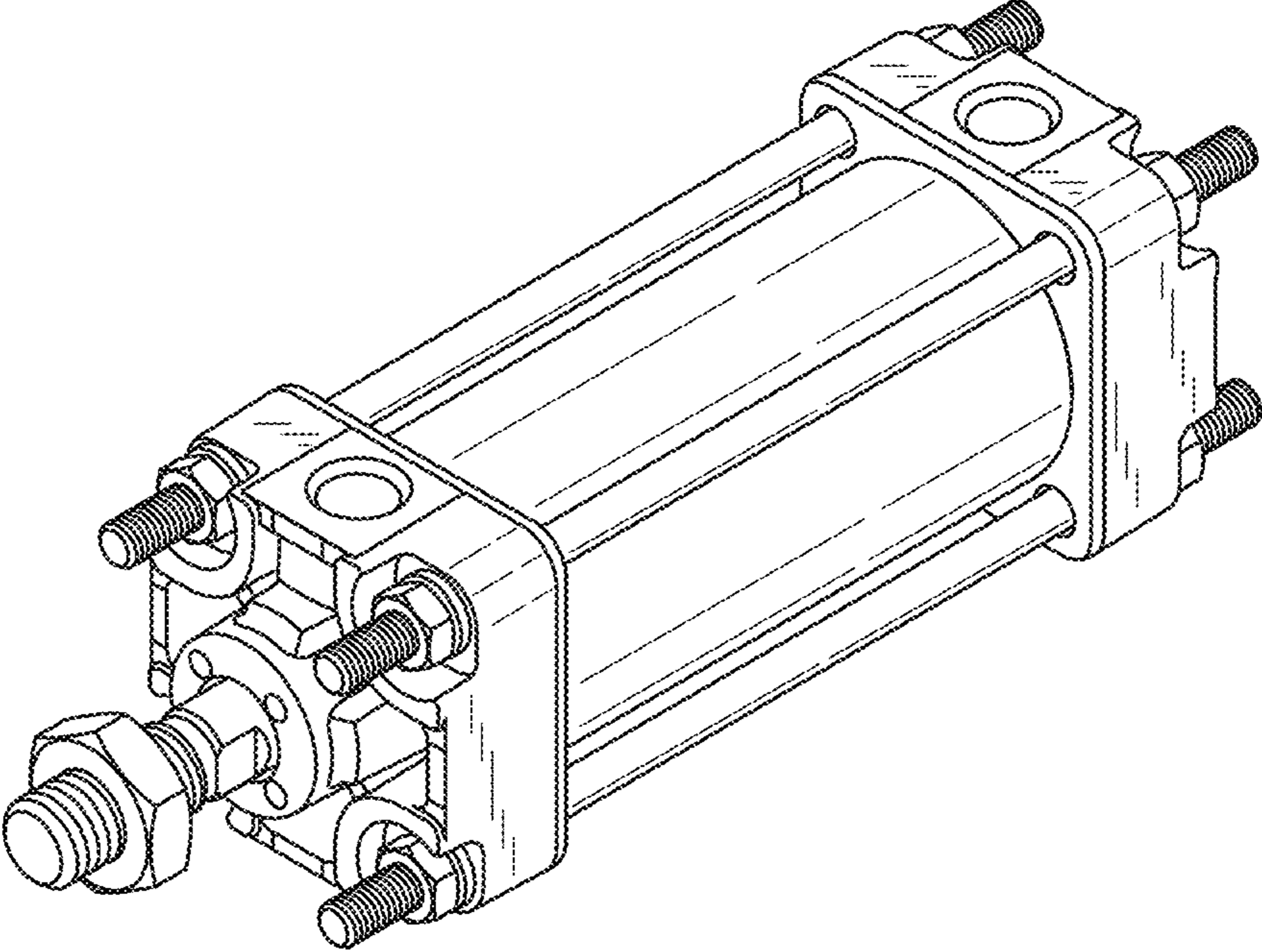


FIG. 9

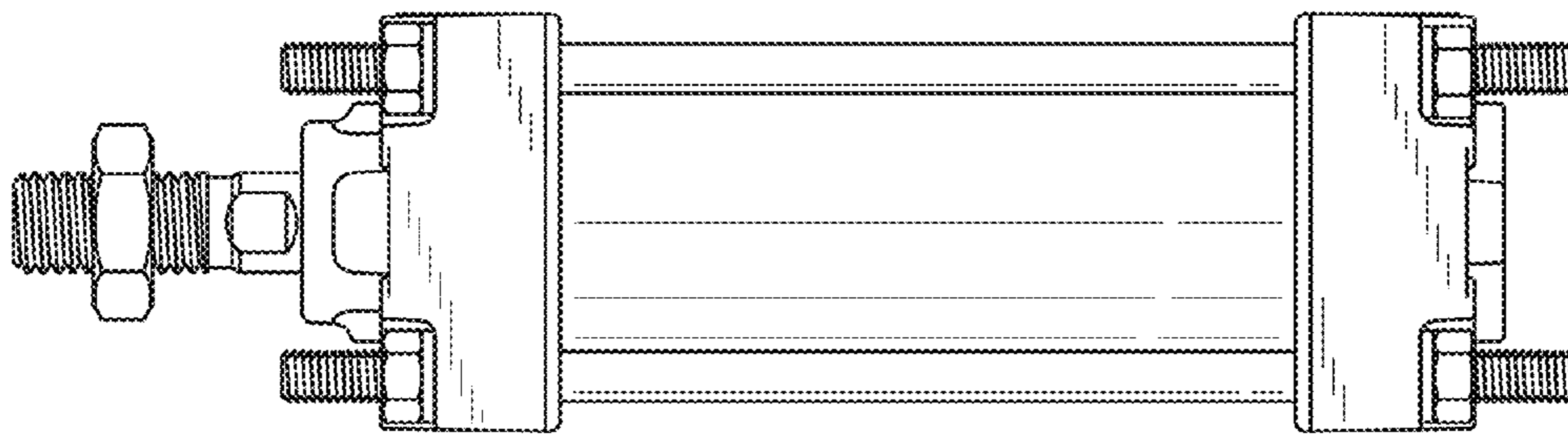


FIG. 10

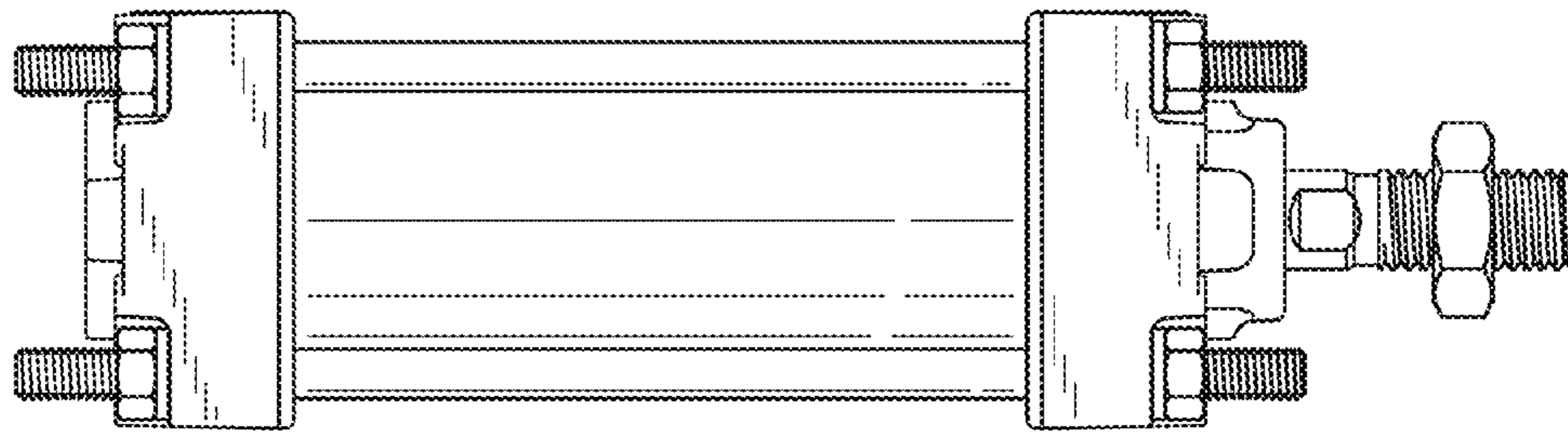


FIG. 11

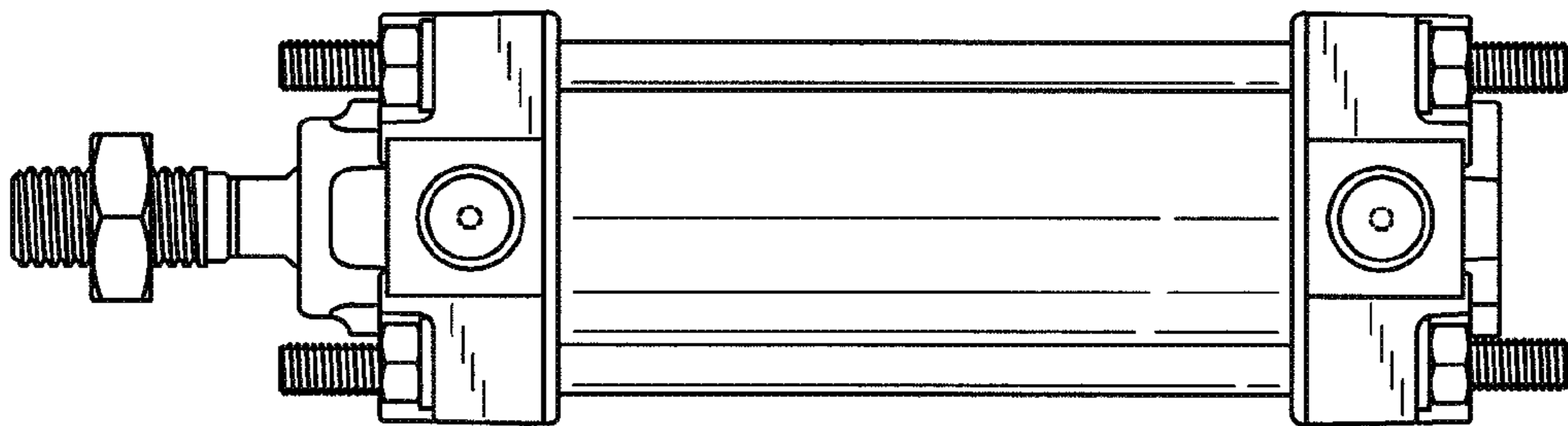


FIG. 12

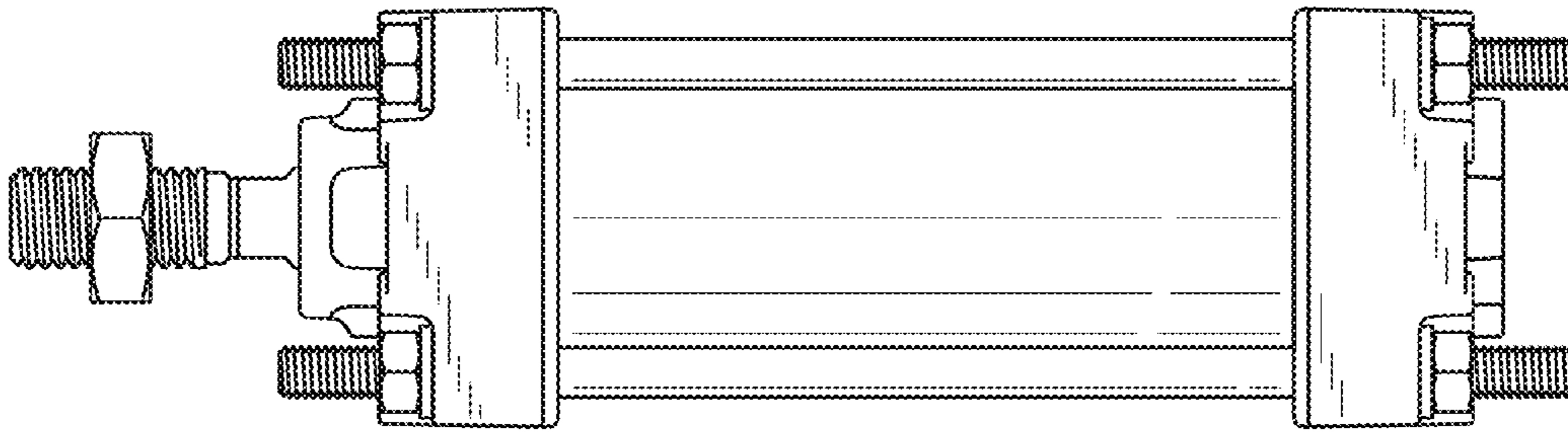


FIG. 13

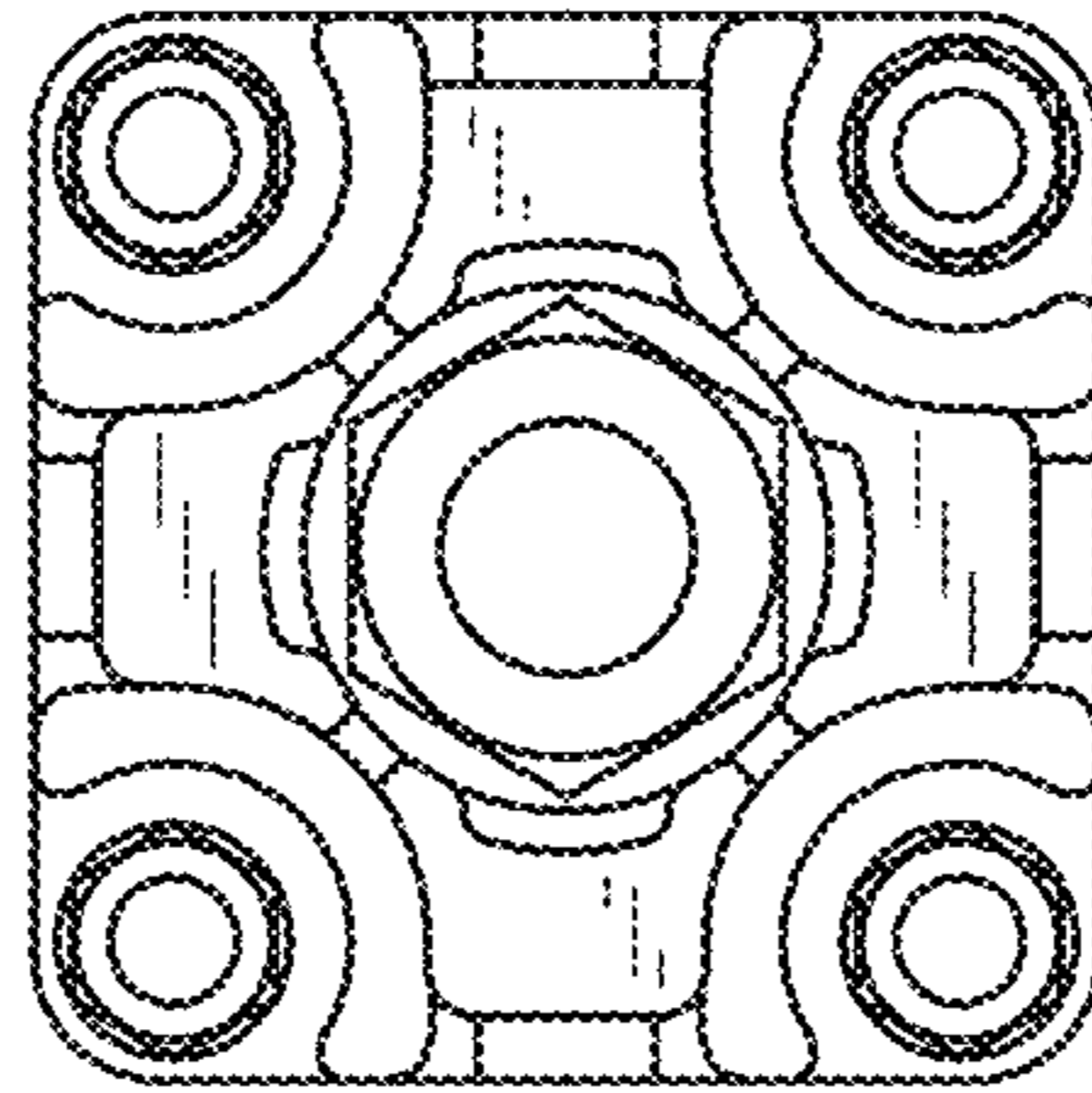


FIG. 14

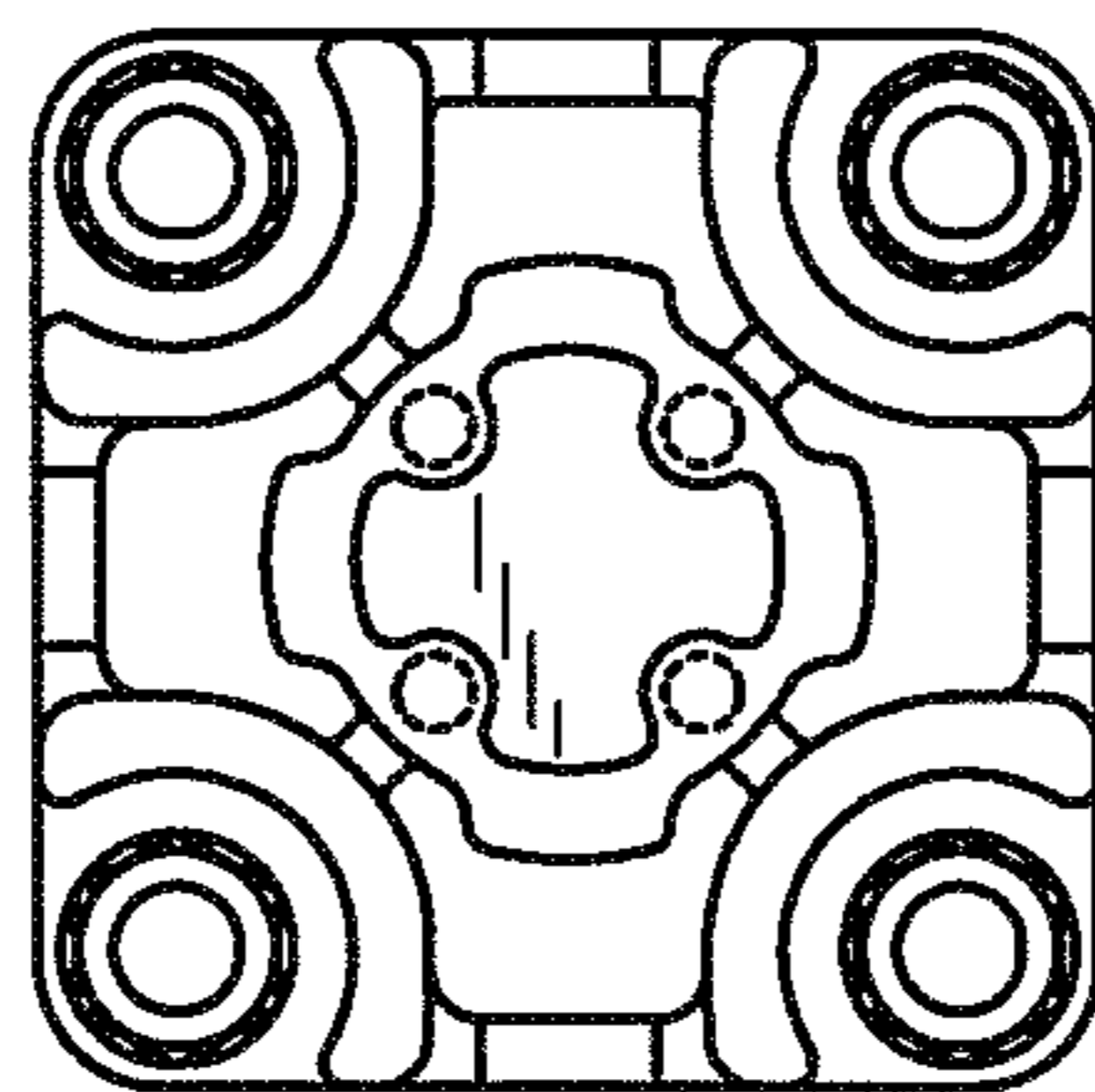


FIG. 15

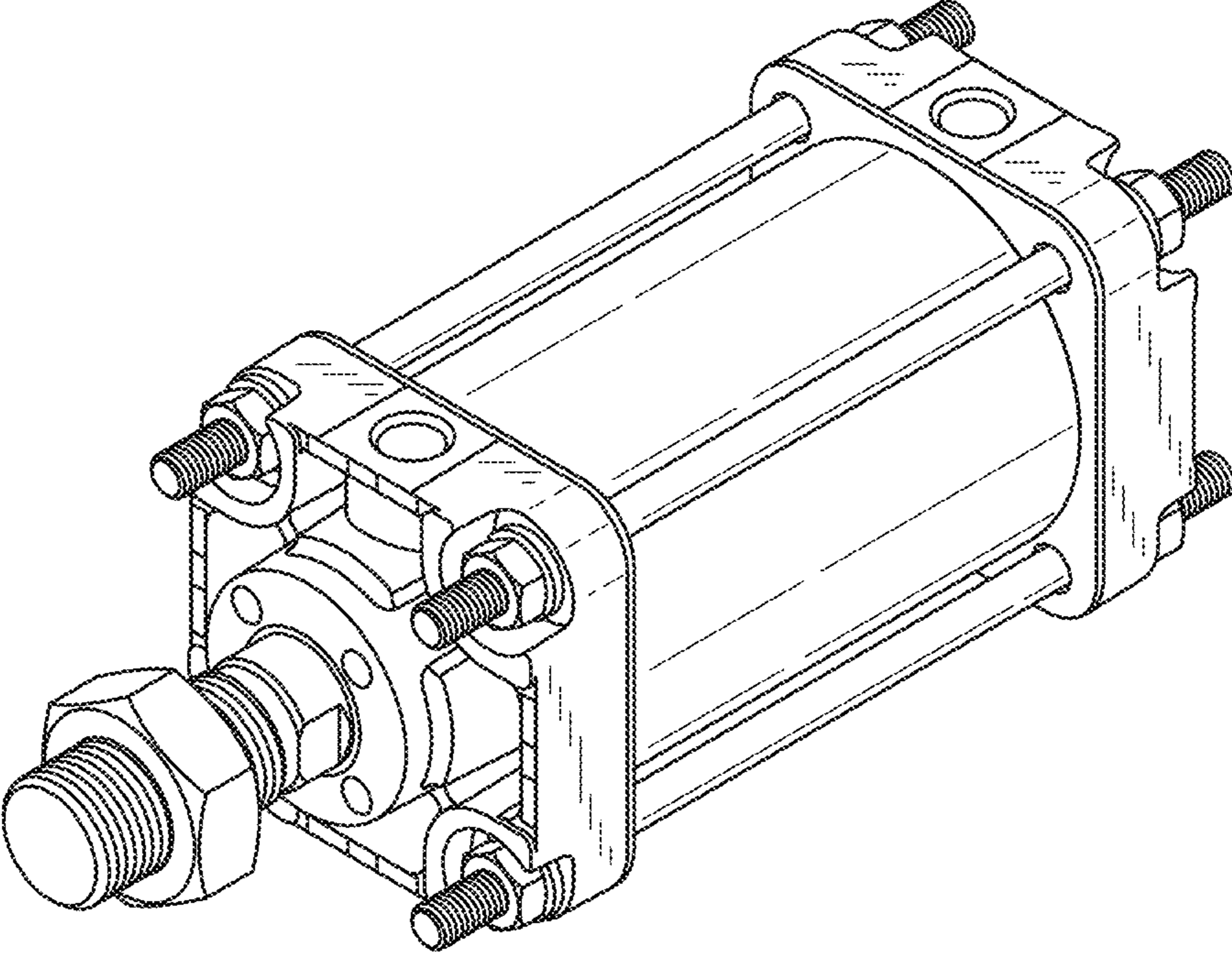


FIG. 16

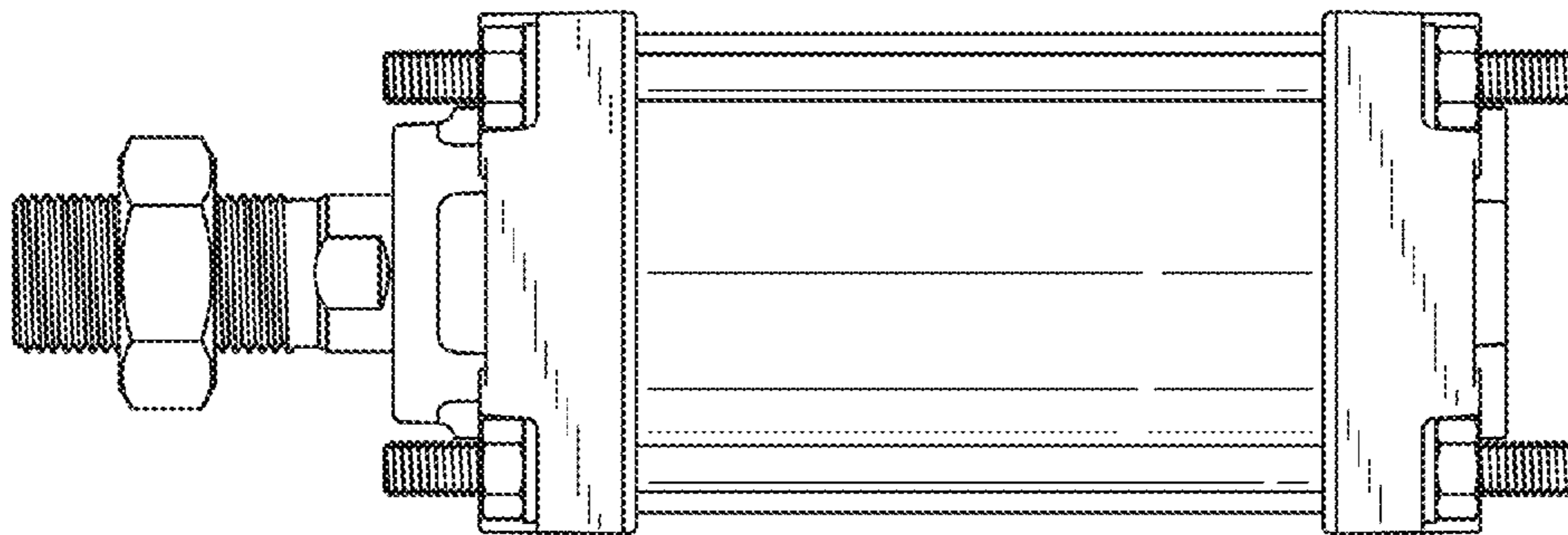


FIG. 17

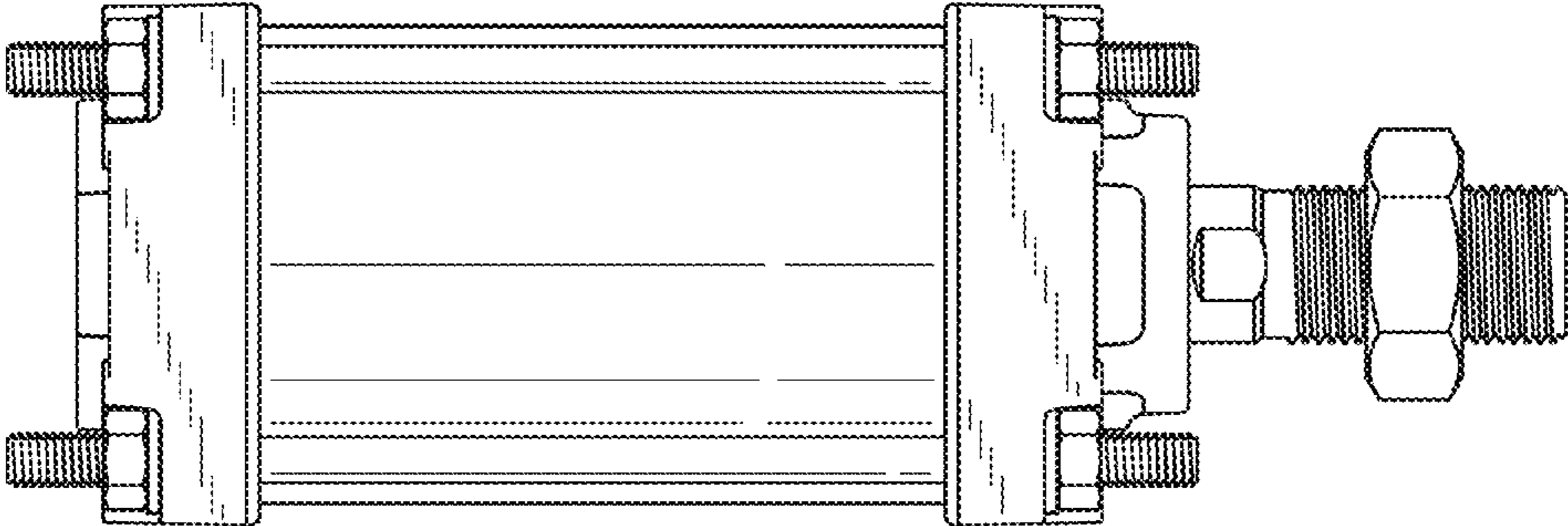


FIG. 18

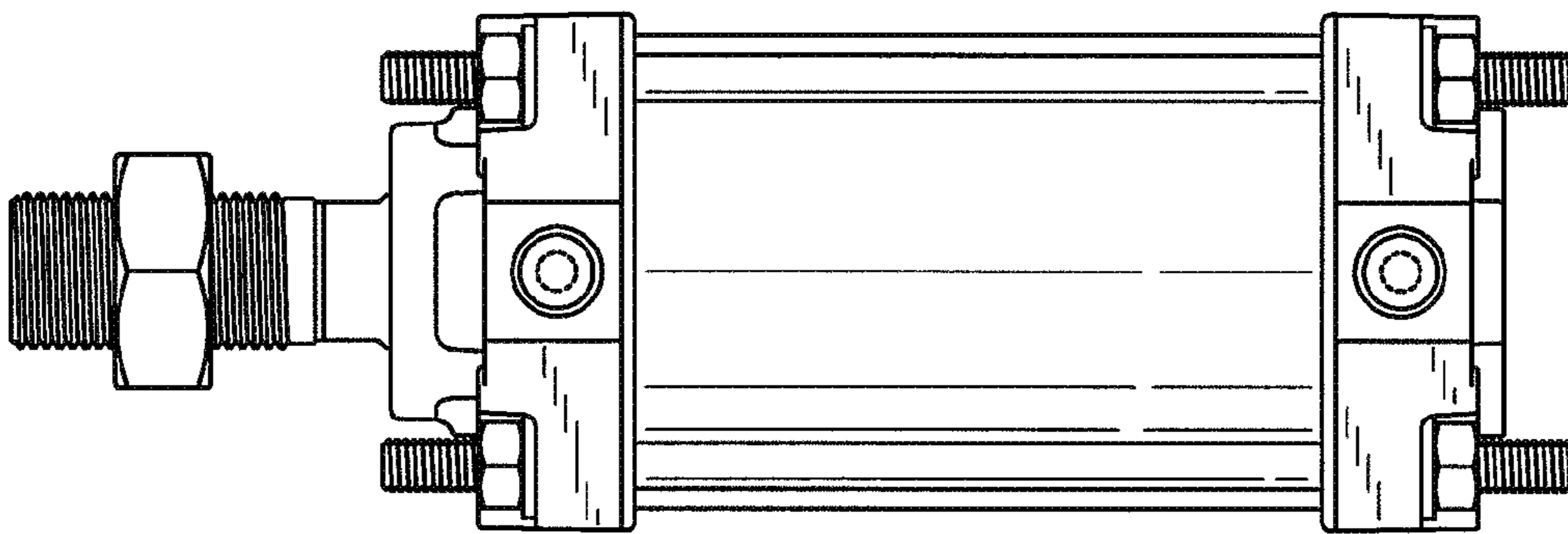


FIG. 19

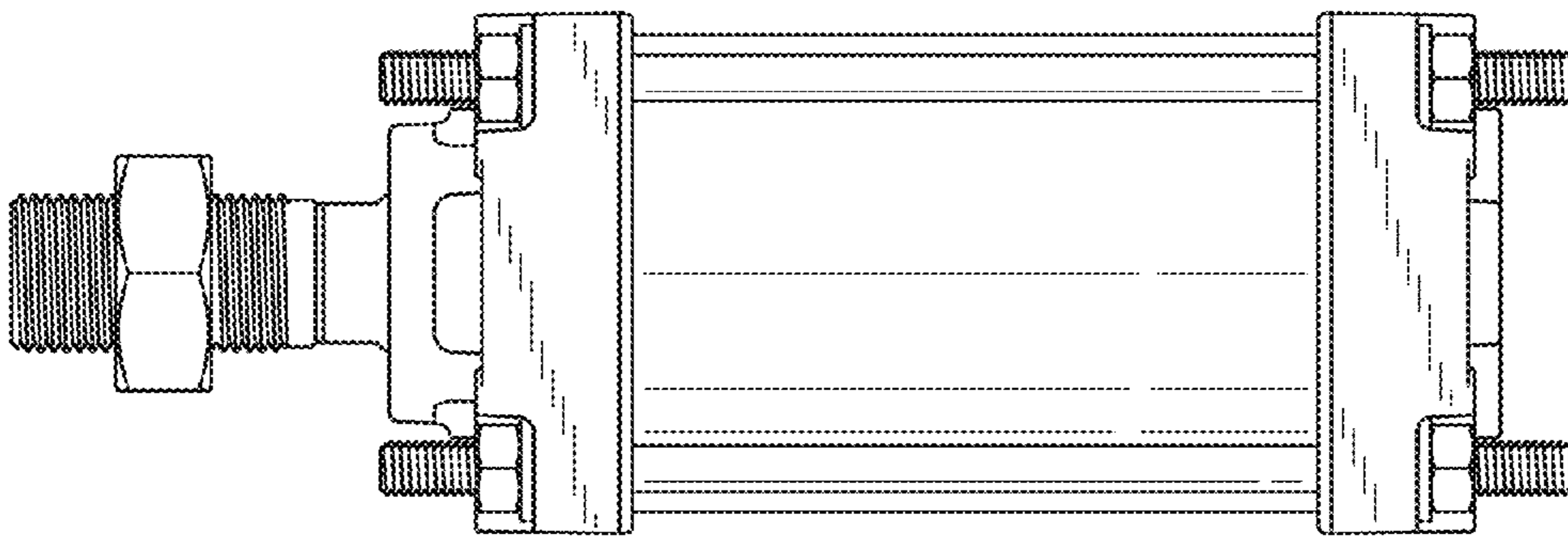


FIG. 20

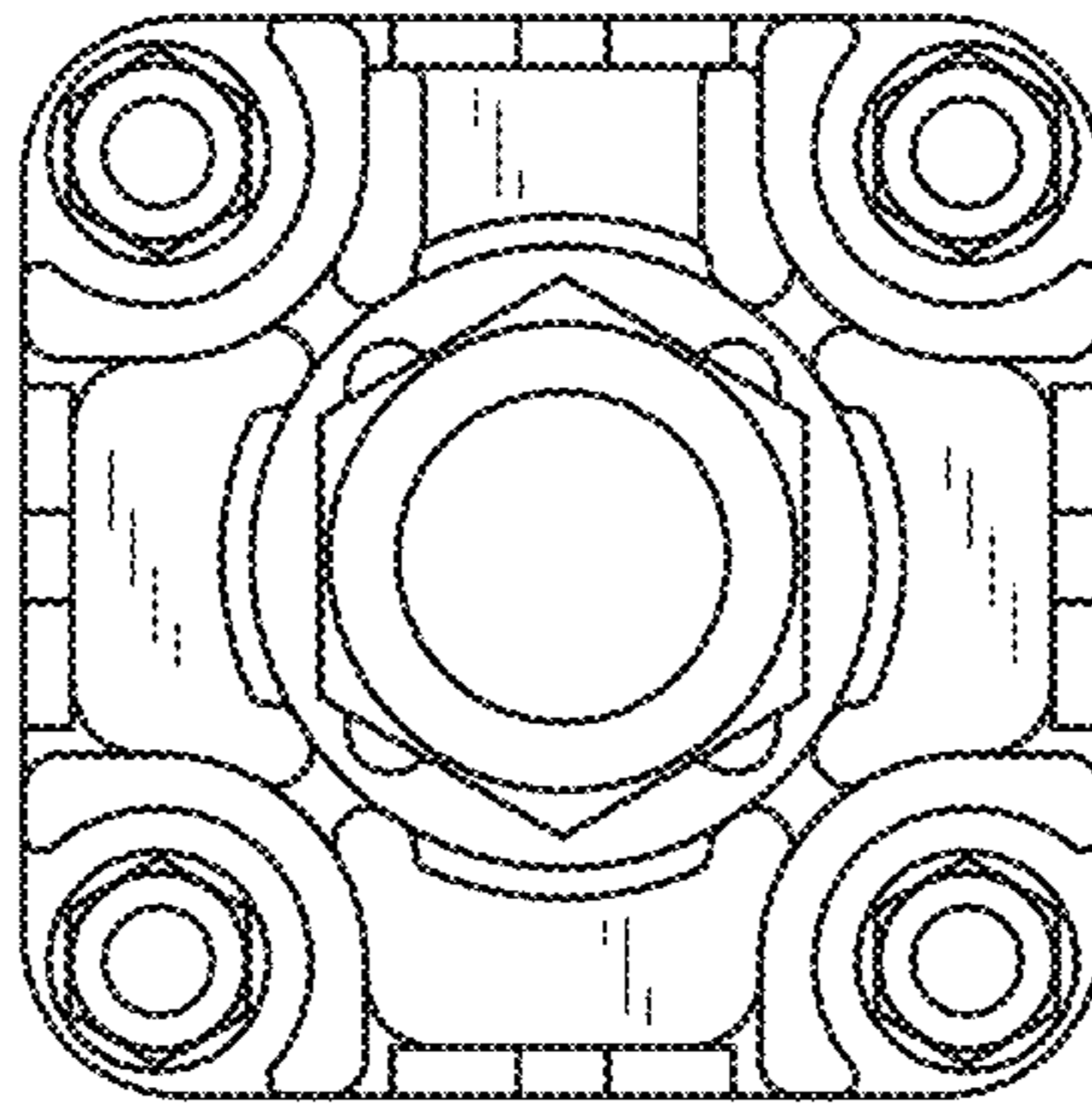


FIG. 21

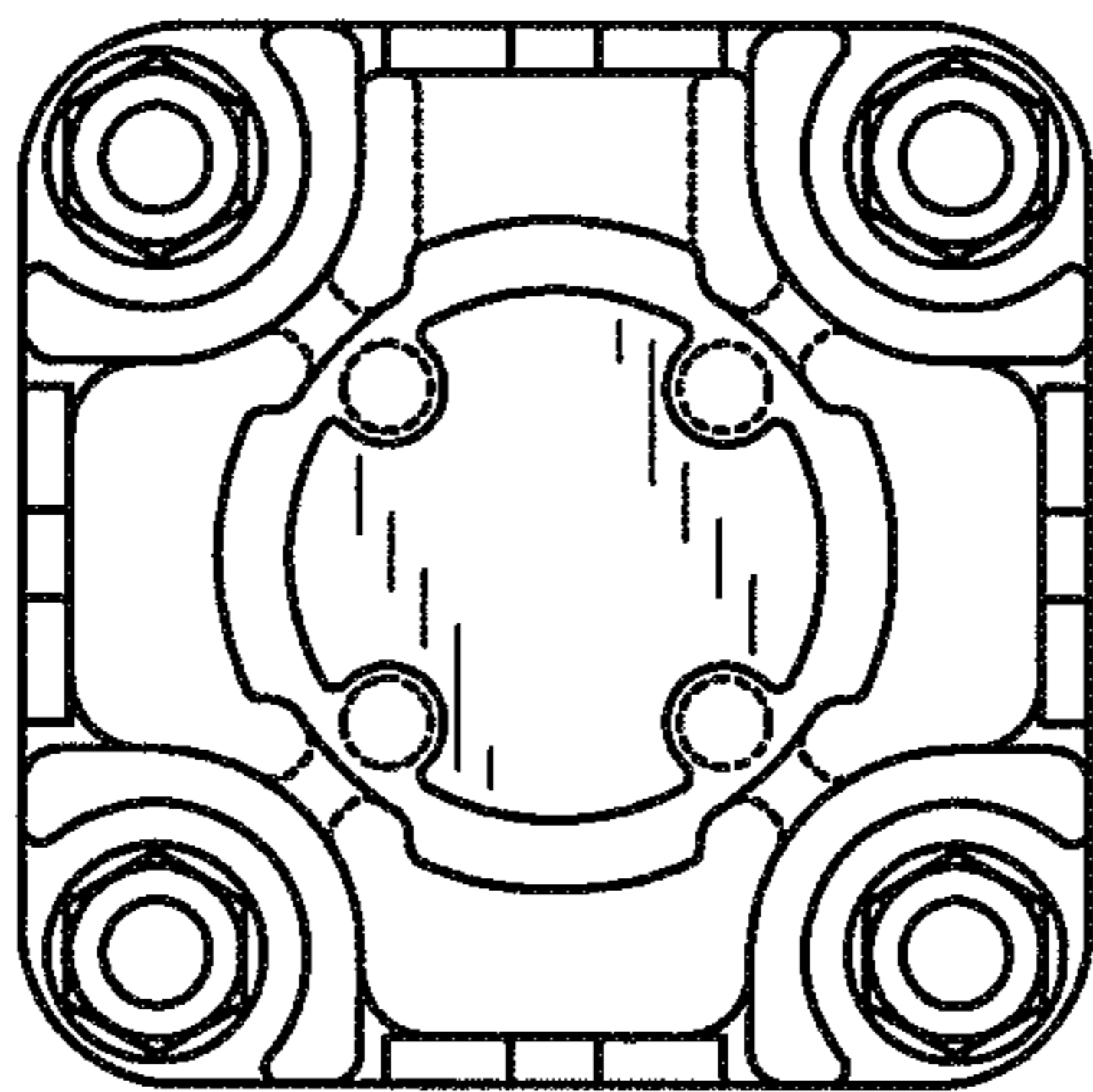


FIG. 22

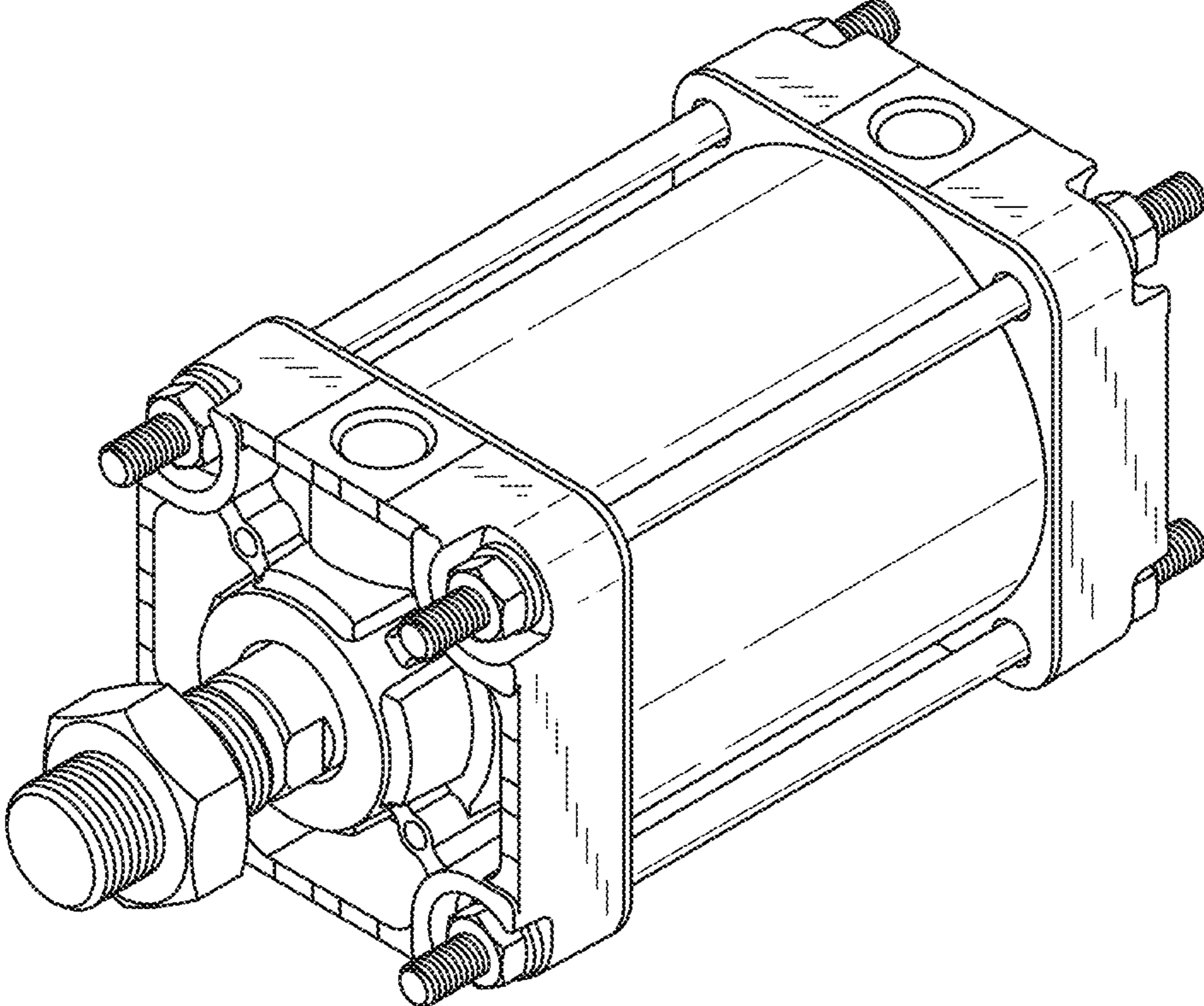


FIG. 23

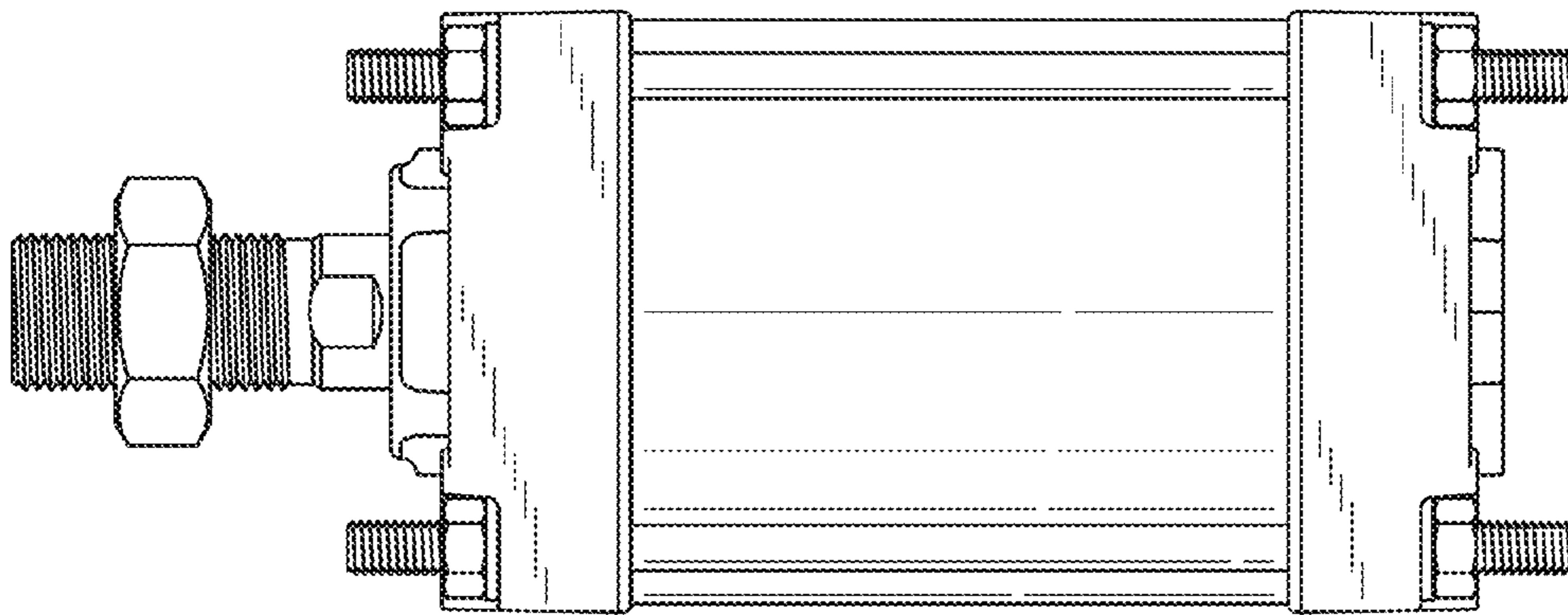


FIG. 24

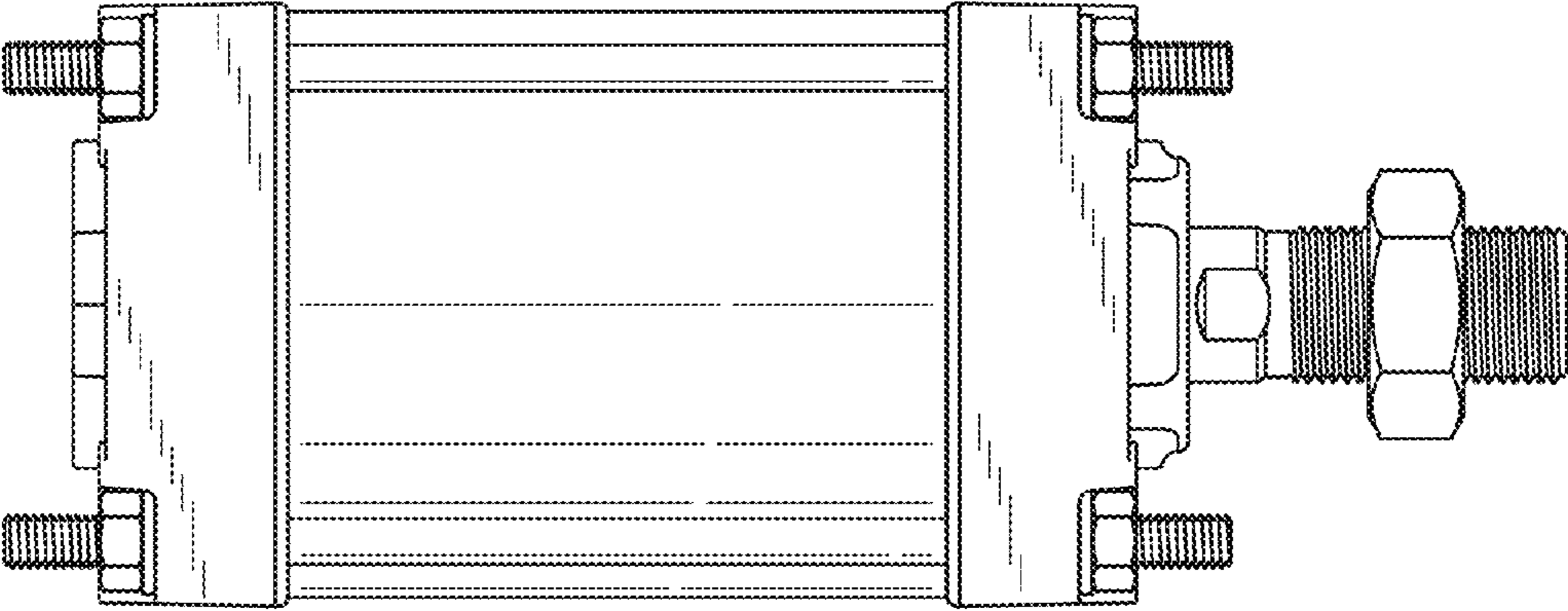


FIG. 25

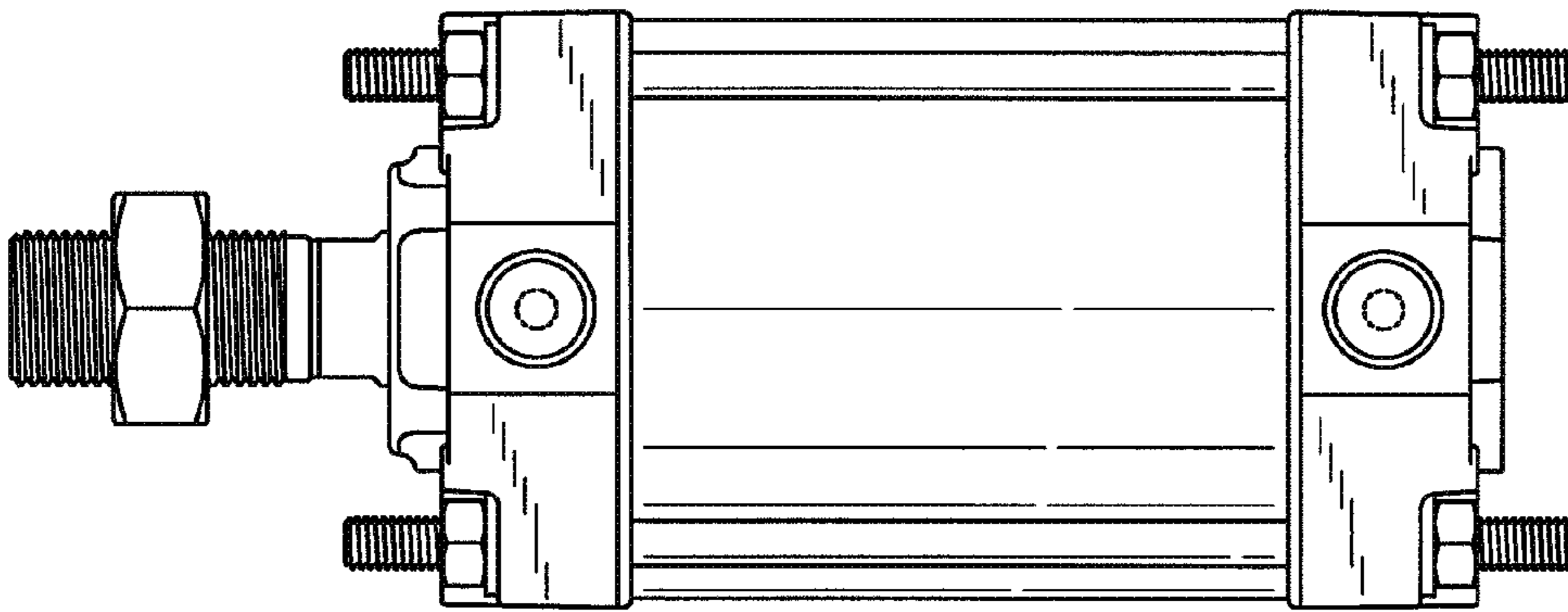


FIG. 26

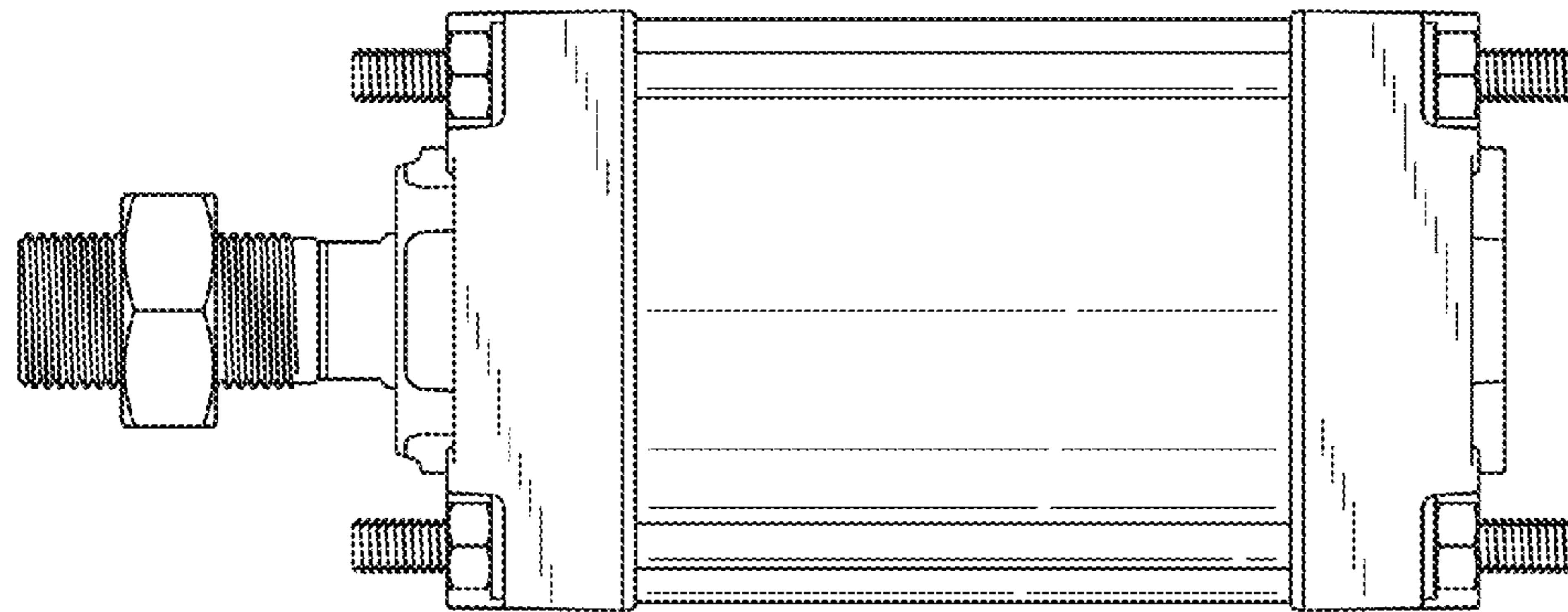


FIG. 27

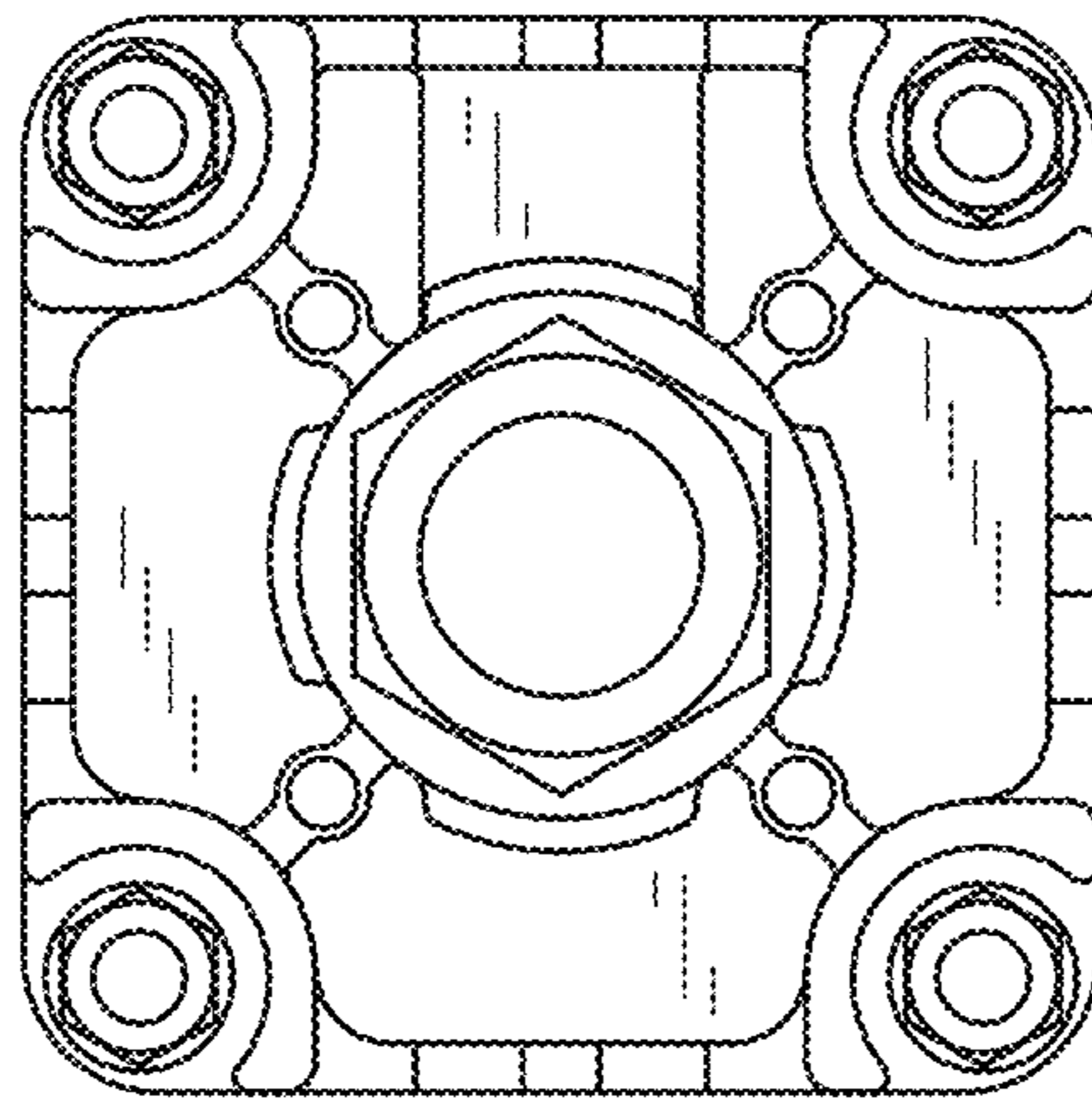


FIG. 28

