



US00D760804S

(12) **United States Design Patent**
Shehan et al.

(10) **Patent No.:** **US D760,804 S**
(45) **Date of Patent:** **** Jul. 5, 2016**

(54) **CARBURETOR MAIN BODY**

(71) Applicant: **Holley Performance Products, Inc.**,
Bowling Green, KY (US)

(72) Inventors: **Laura Shehan**, Bowling Green, KY
(US); **Amy Gieske**, Bowling Green, KY
(US); **Jonathan Sams**, Bowling Green,
KY (US); **Shane Weckerly**, Bowling
Green, KY (US); **Charles Jeneckes**,
Harrisburg, NC (US)

(73) Assignee: **HOLLEY PERFORMANCE**
PRODUCTS INC., Bowling Green, KY
(US)

(**) Term: **14 Years**

(21) Appl. No.: **29/435,549**

(22) Filed: **Oct. 25, 2012**

(51) **LOC (10) Cl.** **15-01**

(52) **U.S. Cl.**
USPC **D15/6**

(58) **Field of Classification Search**
USPC D15/1-6; 261/DIG. 67, 23.2, 34.1,
261/121.3, 36.2, 42
See application file for complete search history.

(56) **References Cited**

U.S. PATENT DOCUMENTS

5,667,730 A * 9/1997 Barfield 261/18.3
5,807,512 A * 9/1998 Grant 261/23.2

5,809,972 A * 9/1998 Grant 123/478
D555,668 S * 11/2007 Benoit D15/6
D578,550 S * 10/2008 Benoit D15/6
2009/0145406 A1 * 6/2009 Farrell et al. 123/470
2010/0077993 A1 * 4/2010 Satterfield 123/439
2011/0204530 A1 * 8/2011 James 261/64.1

* cited by examiner

Primary Examiner — T. Chase Nelson

Assistant Examiner — Ania Aman

(74) *Attorney, Agent, or Firm* — Hunton & Williams LLP

(57) **CLAIM**

The ornamental design for a carburetor main body, as shown and described.

DESCRIPTION

FIG. 1 is a perspective view of a carburetor main body showing the claimed design.

FIG. 2 is a back view of the carburetor main body of FIG. 1.

FIG. 3 is a front view of the carburetor main body of FIG. 1.

FIG. 4 is a right side view of the carburetor main body of FIG. 1.

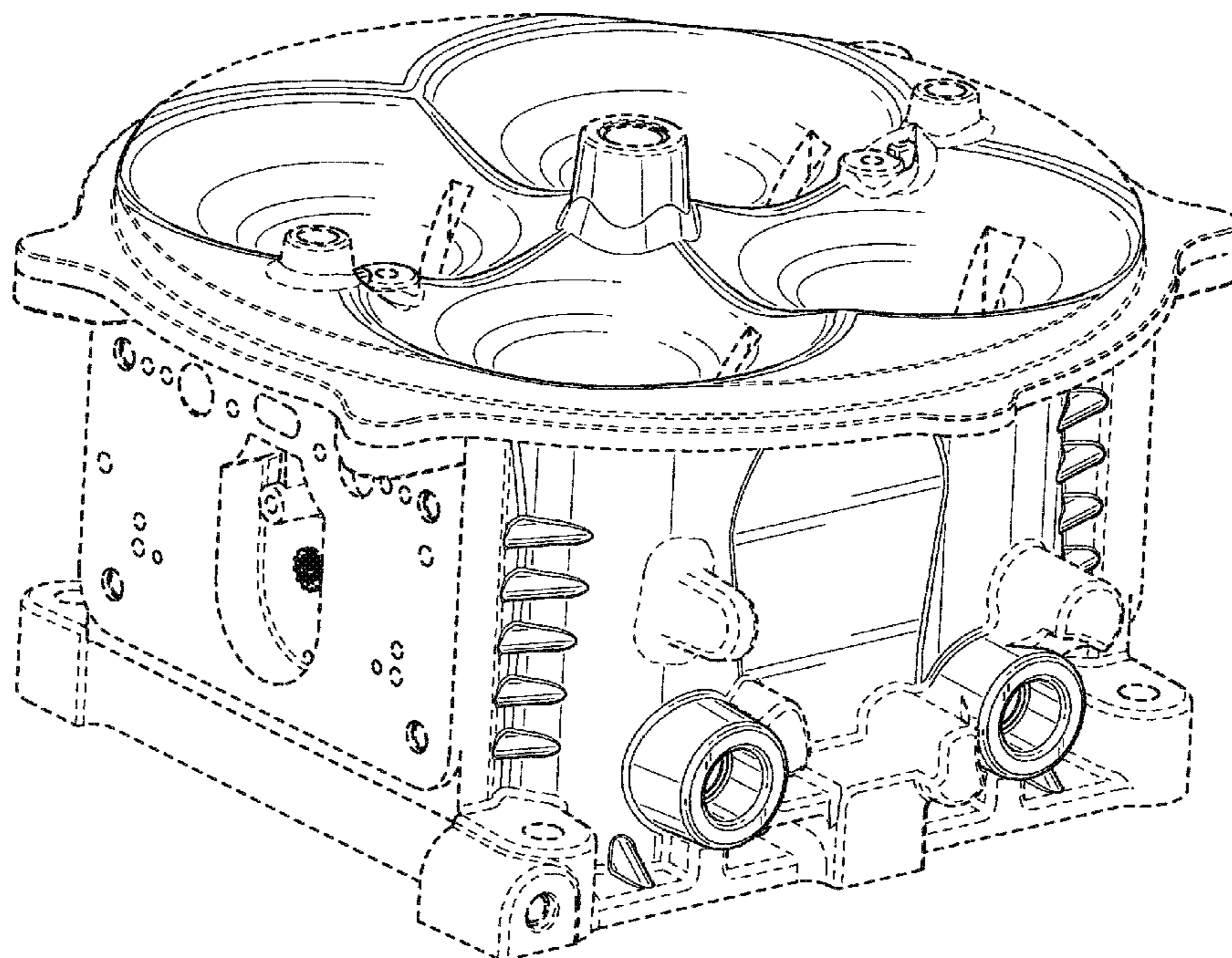
FIG. 5 is a left side view of the carburetor main body of FIG. 1.

FIG. 6 is a top view of the carburetor main body of FIG. 1; and,

FIG. 7 is a bottom view of the carburetor main body of FIG. 1.

The broken line shown in the drawings are for the purpose of illustrating portions of the article and form no part of the claimed design.

1 Claim, 7 Drawing Sheets



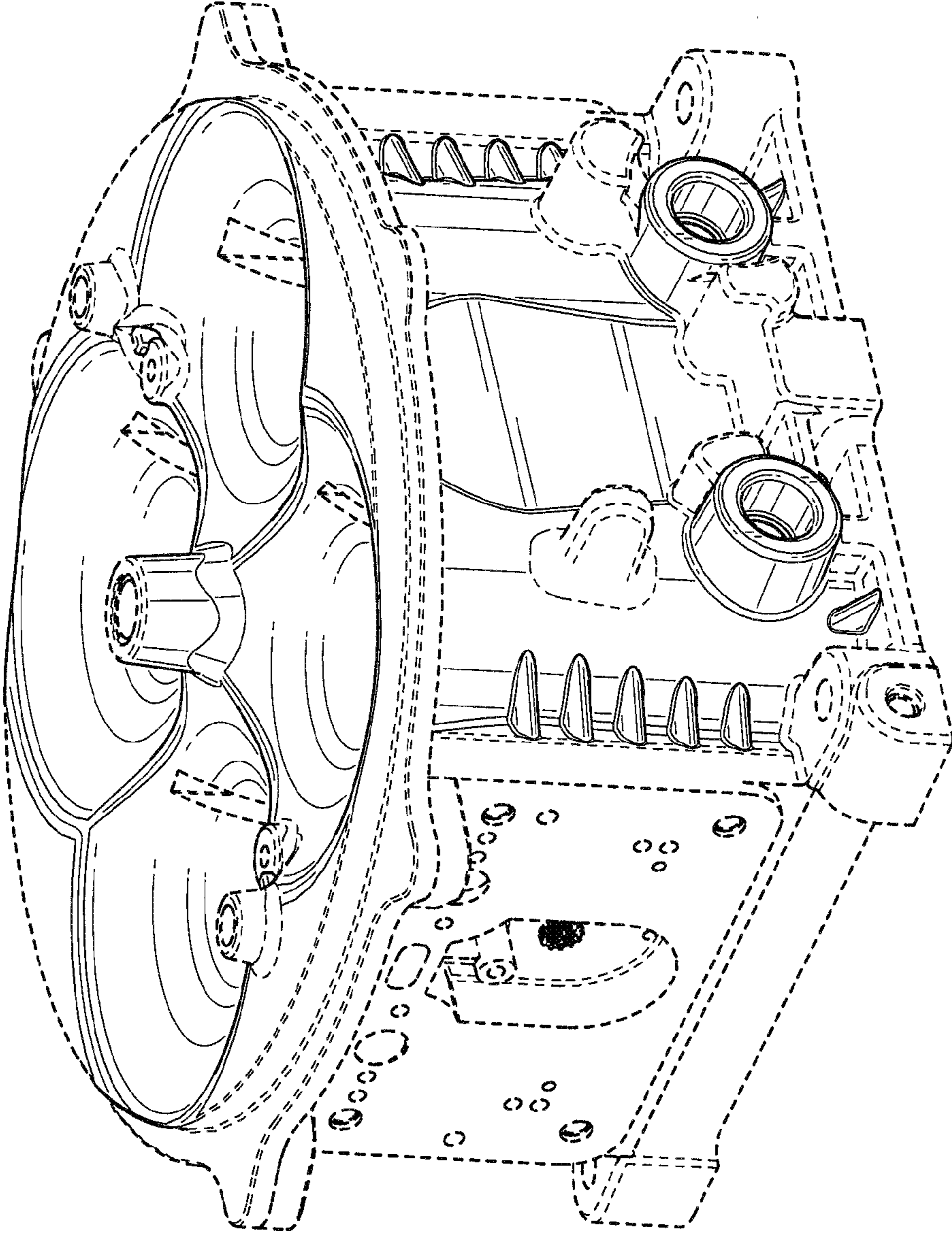


FIG. 1

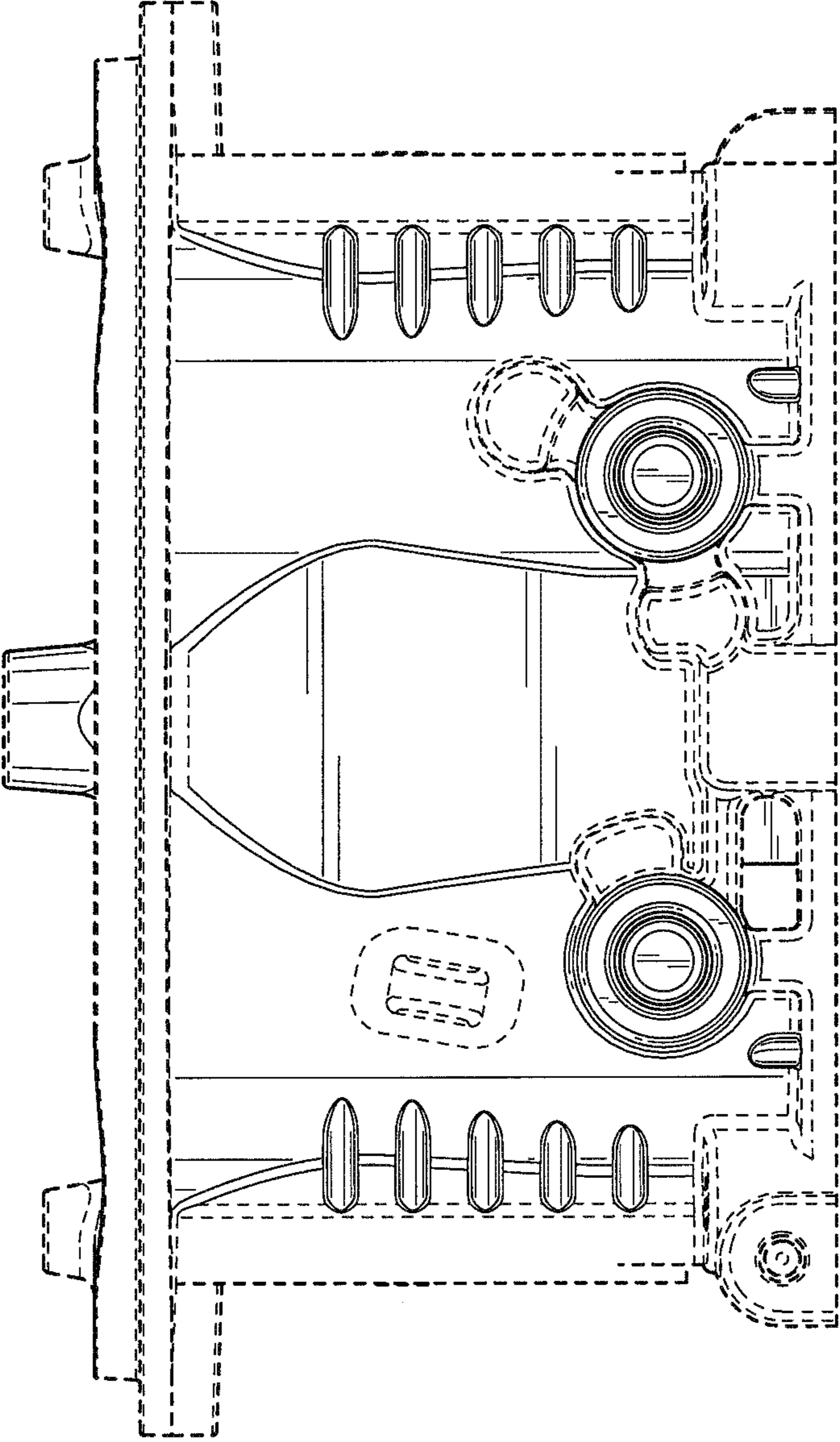


FIG. 2

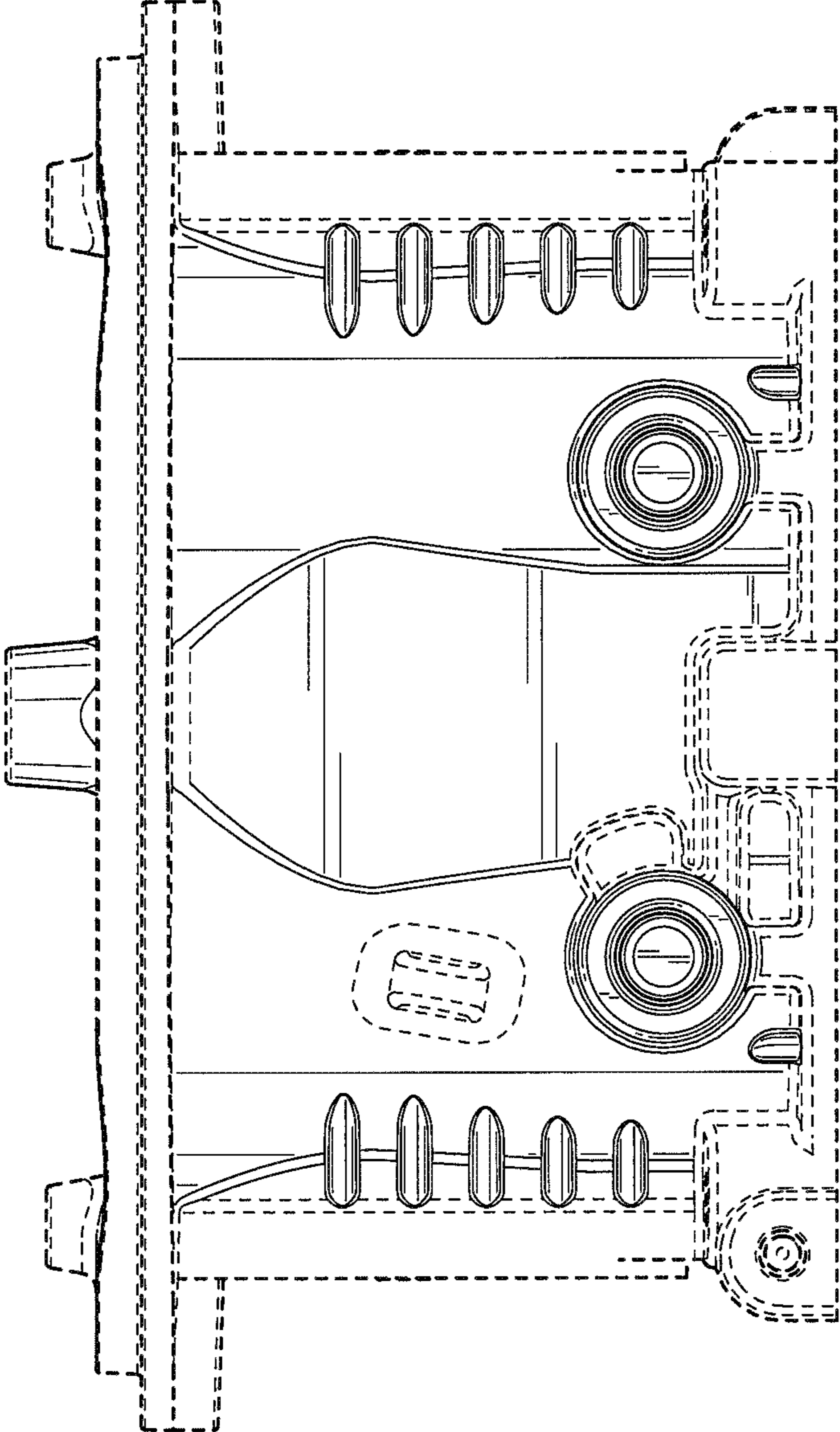


FIG. 3

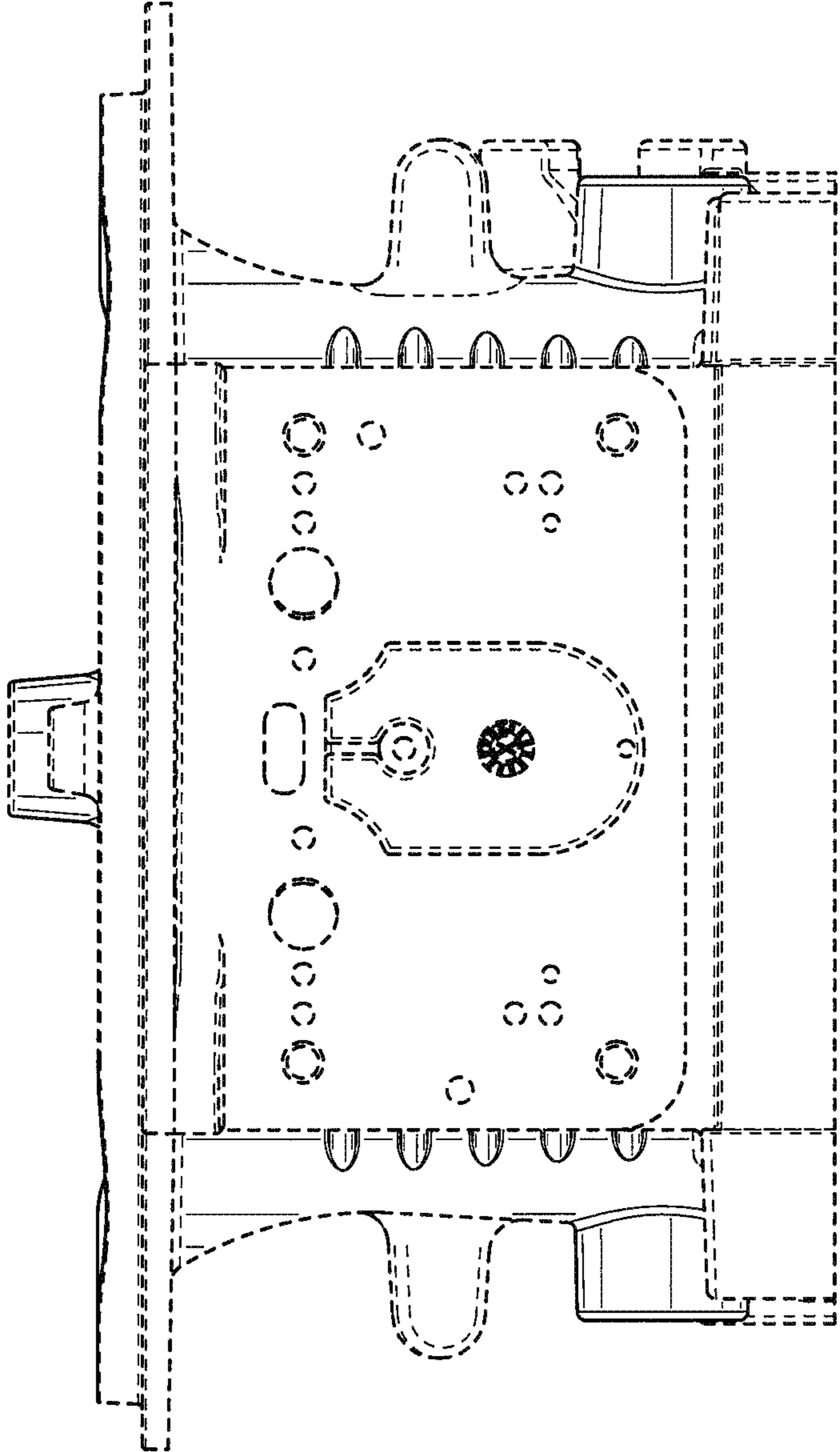


FIG. 4

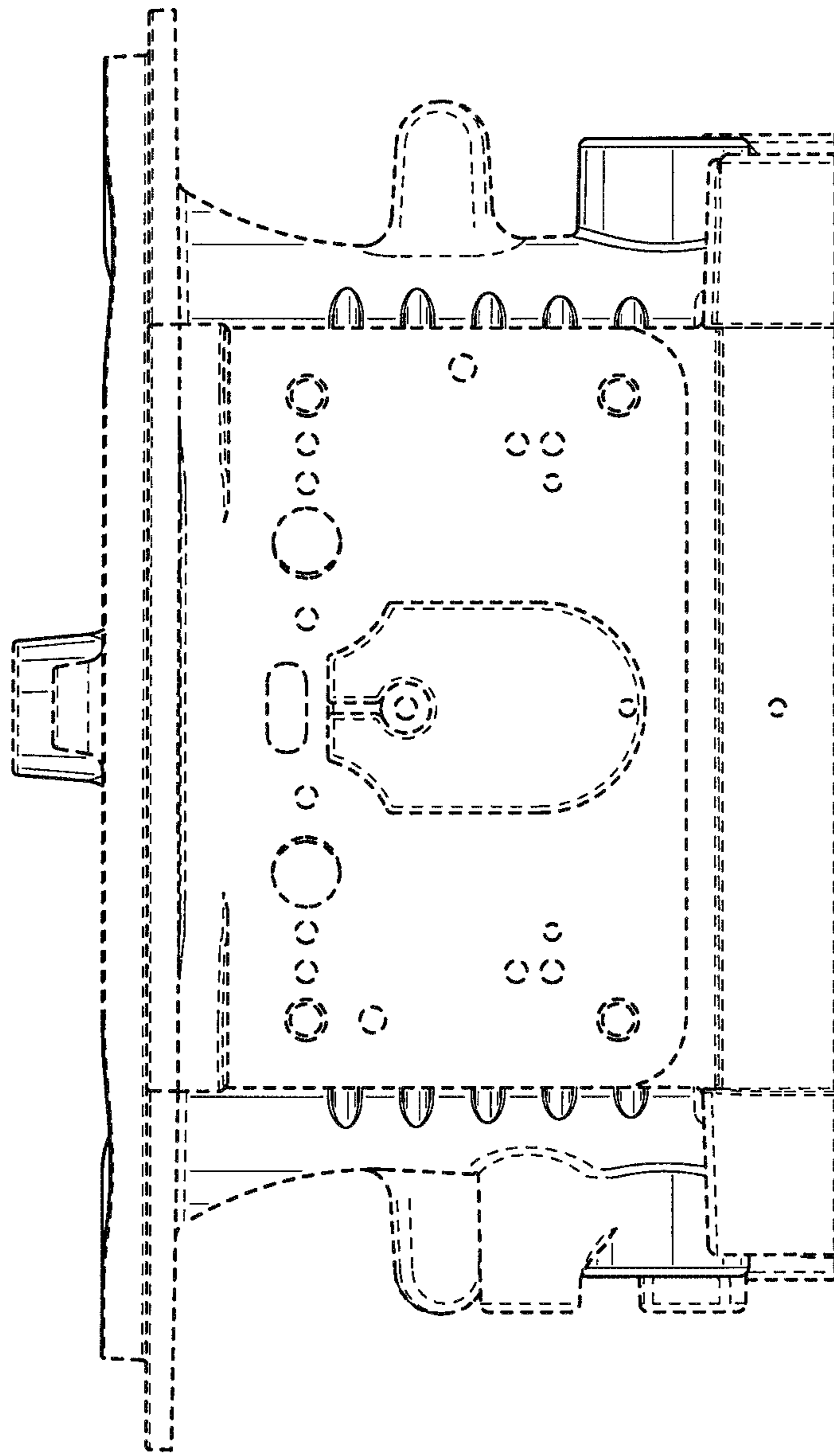


FIG. 5

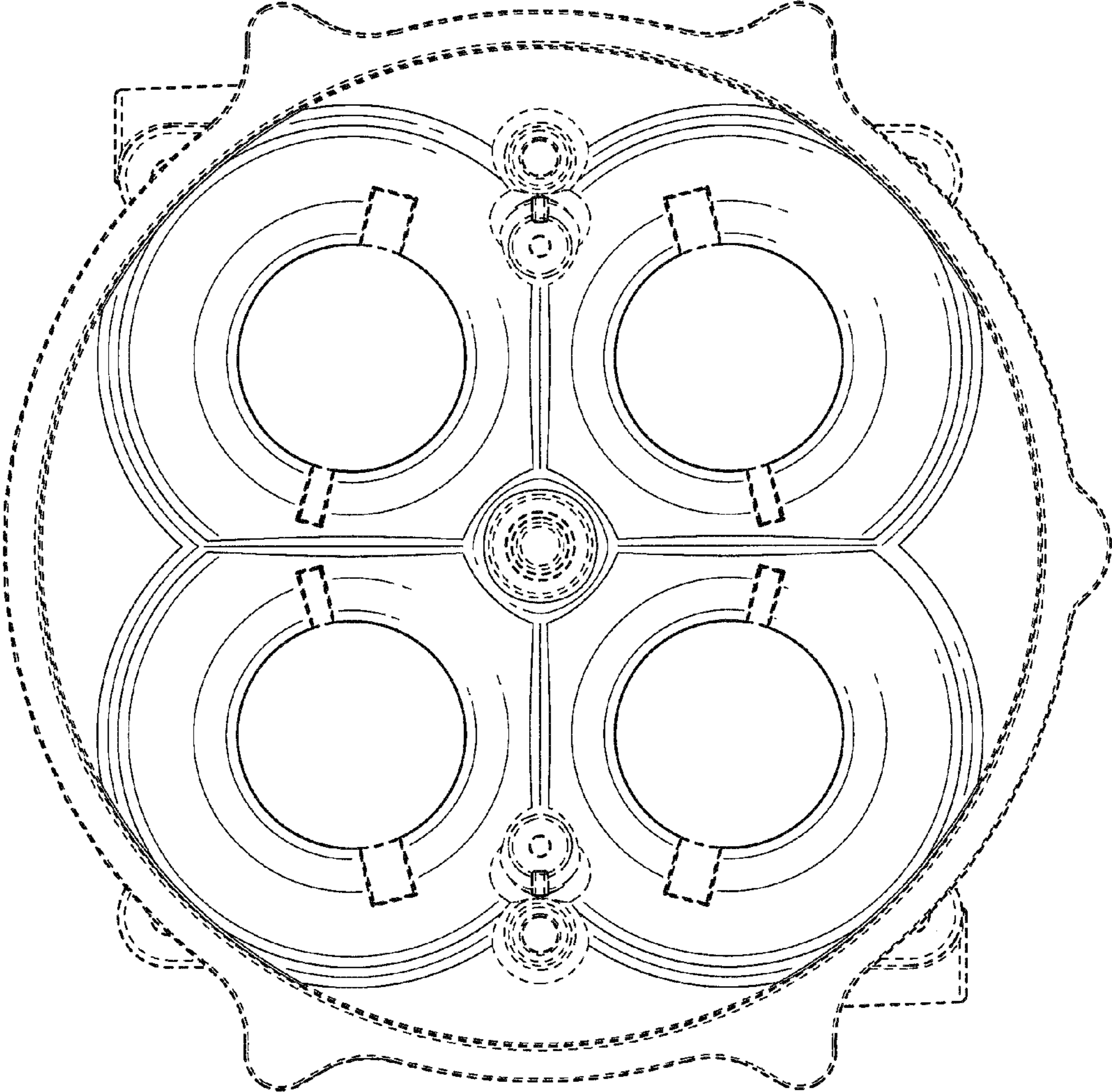


FIG. 6

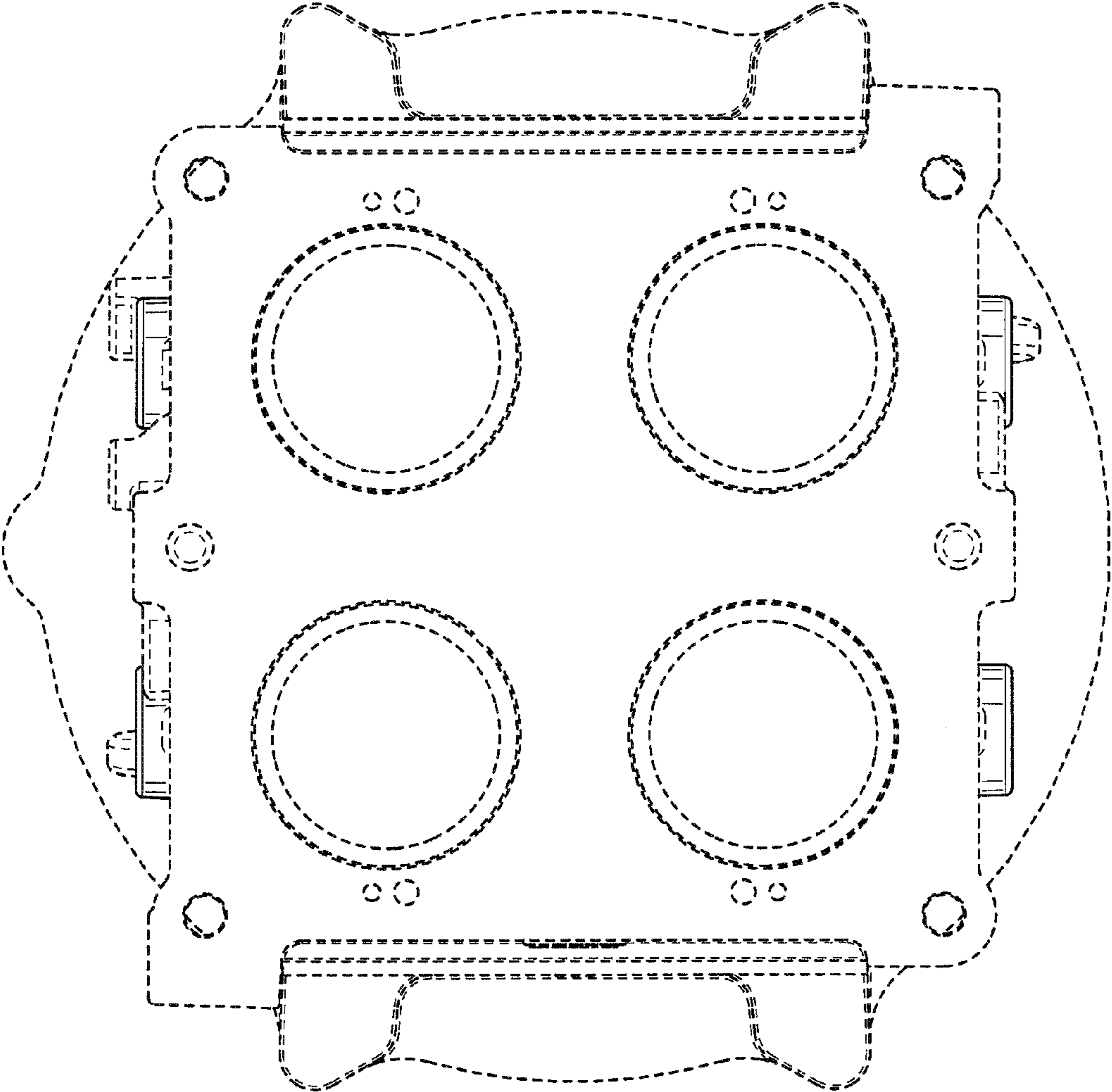


FIG. 7