



US00D760784S

(12) **United States Design Patent**
Jeong et al.

(10) **Patent No.:** **US D760,784 S**
(45) **Date of Patent:** **** Jul. 5, 2016**

(54) **DISPLAY SCREEN OR PORTION THEREOF WITH ICON**

(71) Applicant: **Samsung Electronics Co., Ltd,**
Suwon-si, Gyeonggi-do (KR)

(72) Inventors: **Jae Youn Jeong,** Goyang-si (KR);
Hyemi Hong, Seoul (KR); **HyoSang Bang,** Seoul (KR)

(73) Assignee: **SAMSUNG ELECTRONICS CO., LTD.** (KR)

(**) Term: **14 Years**

(21) Appl. No.: **29/495,759**

(22) Filed: **Jul. 3, 2014**

(30) **Foreign Application Priority Data**

Jan. 3, 2014 (KR) 30-2014-0000528

(51) **LOC (10) Cl.** **14-04**

(52) **U.S. Cl.**
USPC **D14/492**

(58) **Field of Classification Search**
USPC D14/485-495; D18/27; 70/11; 345/473,
345/7; 701/431, 31.4, 533; 725/39;
715/760; 340/905, 903, 435; 359/633
CPC .. G01C 21/365; G01C 21/3632; A63F 13/10;
H04N 5/44543; G06Q 30/02; G01S 13/723;
G08G 1/165
See application file for complete search history.

(56) **References Cited**

U.S. PATENT DOCUMENTS

D341,848 S * 11/1993 Bigelow D14/492
D471,227 S * 3/2003 Gray D14/488
D508,057 S * 8/2005 Stabb D14/489
D510,362 S * 10/2005 Minagawa D14/489
6,976,918 B2 * 12/2005 Hosokawa A63F 13/10
345/473

D547,365 S * 7/2007 Reyes D18/27
D600,704 S * 9/2009 LaManna D14/492
7,802,205 B2 * 9/2010 Bedingfield G06Q 30/02
715/760
D626,137 S * 10/2010 McLaughlin D14/486
D627,360 S * 11/2010 Aarseth D14/485
D628,584 S * 12/2010 Umezawa D14/489
D635,988 S * 4/2011 Mays D14/487
D644,242 S * 8/2011 Matas D14/489
D644,243 S * 8/2011 Matas D14/489
D662,514 S * 6/2012 Marchetti D14/495
D662,947 S * 7/2012 Marchetti D14/495
D676,060 S * 2/2013 Frost D14/490

(Continued)

FOREIGN PATENT DOCUMENTS

GB 3021162 * 7/2005

OTHER PUBLICATIONS

Exercise, Field, Race, Sport, Track, Training, Icon: Announced Oct. 1, 2009, [Site Visited Oct. 14, 2015] https://www.iconfinder.com/icons/200909/exercise_field_race_sport_track_training_icon.*

(Continued)

Primary Examiner — Eric Goodman

Assistant Examiner — Luqman McNeil

(74) *Attorney, Agent, or Firm* — Cantor Colburn LLP

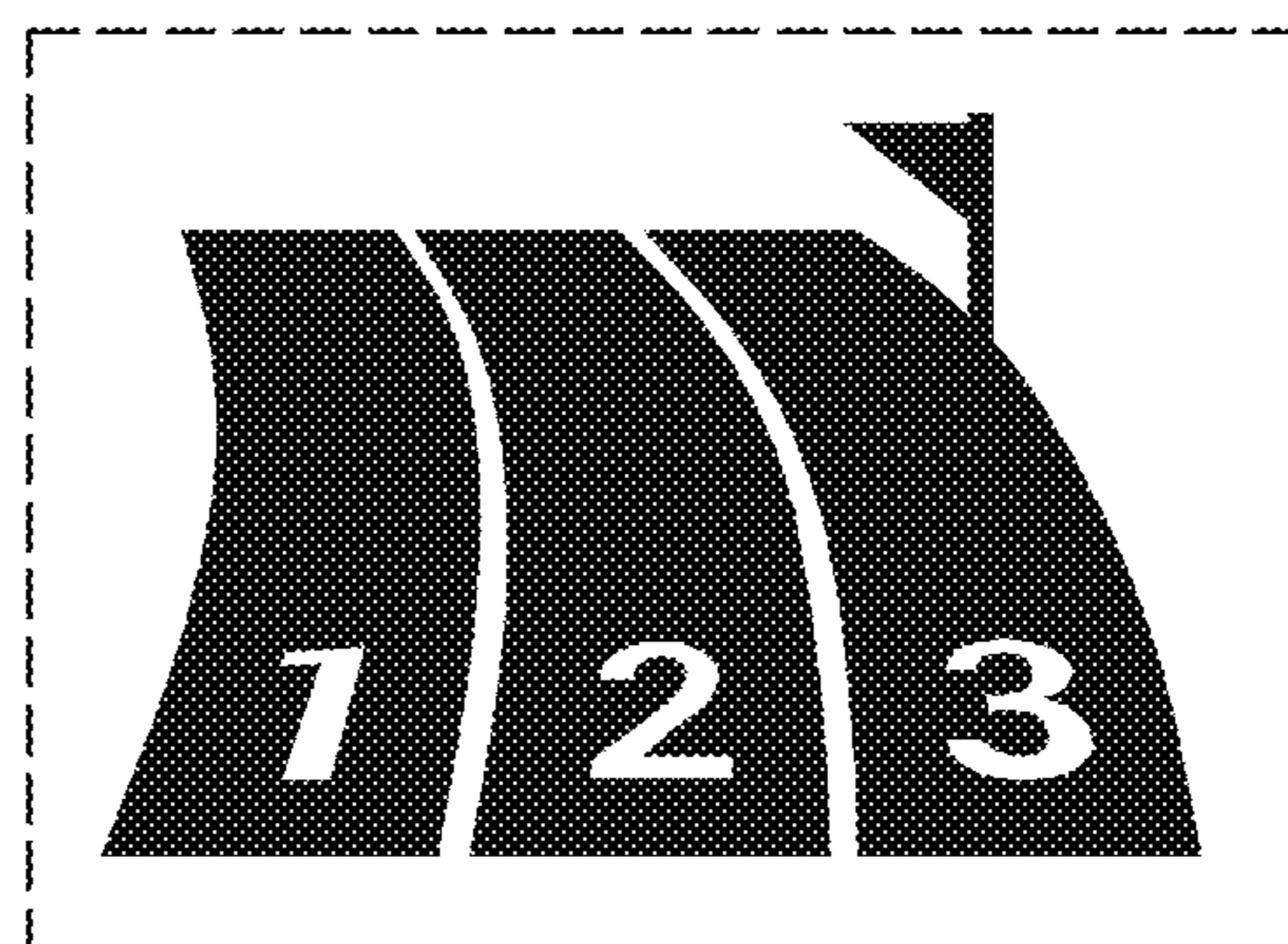
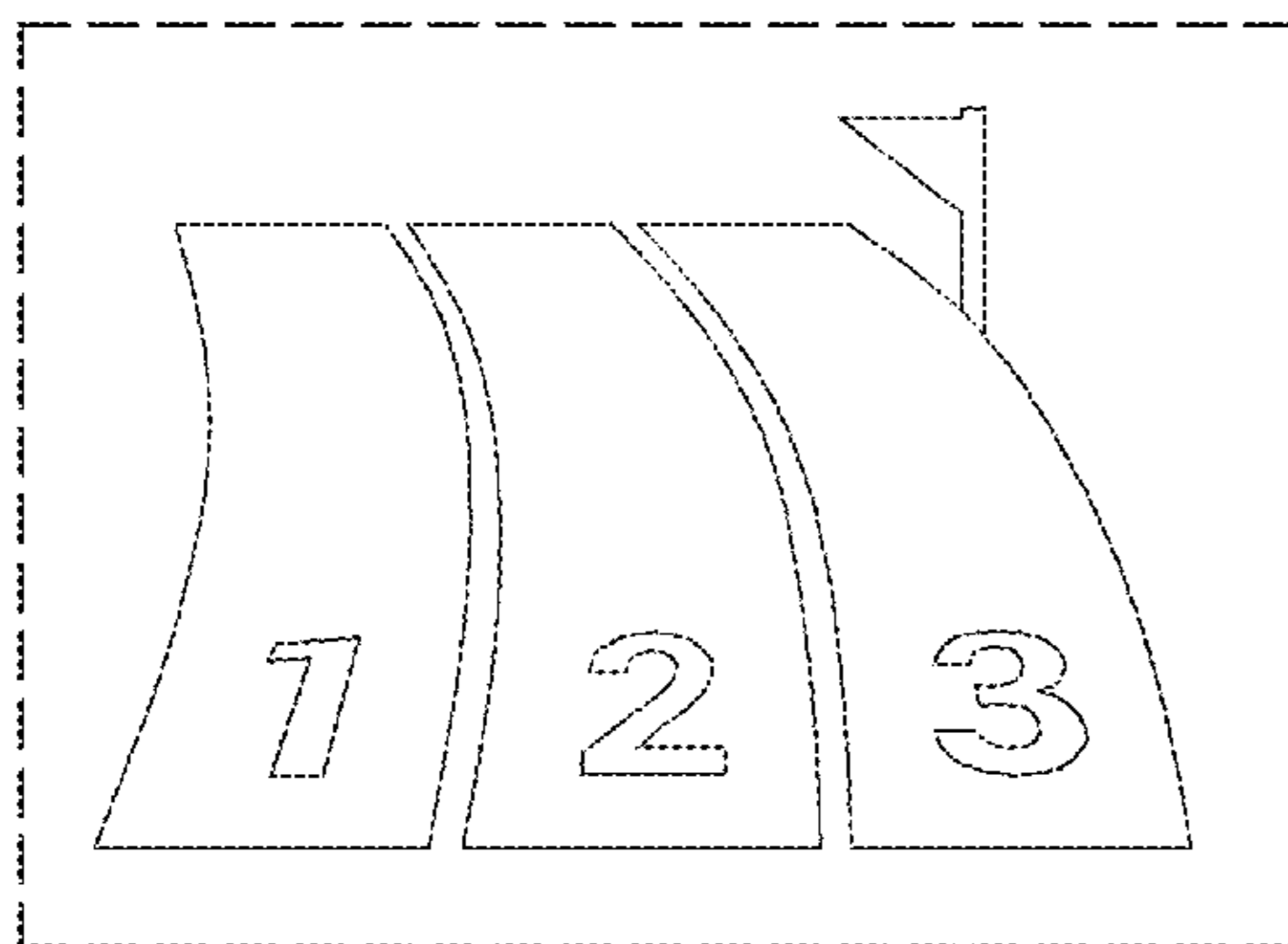
(57) **CLAIM**

We claim, the ornamental design for a display screen or portion thereof with icon, as shown and described.

DESCRIPTION

FIG. 1 is a front view of a display screen or portion thereof with icon, showing our new design; and, FIG. 2 is a front view of another embodiment of a display screen or portion thereof with icon, showing our new design. The broken line showing of the display screen or portion thereof are for environmental purposes only and form no part of the claimed design.

1 Claim, 2 Drawing Sheets



(56)

References Cited

U.S. PATENT DOCUMENTS

8,384,532 B2 * 2/2013 Szczerba G01S 13/723
340/435
D677,326 S * 3/2013 Gleasman D18/27
8,447,437 B2 * 5/2013 Chiang G08G 1/165
340/435
2005/0154505 A1 * 7/2005 Nakamura G01C 21/365
701/1
2009/0171582 A1 * 7/2009 Stockinger G01C 21/3632
701/431
2010/0083313 A1 * 4/2010 White H04N 5/44543
725/39
2010/0253539 A1 * 10/2010 Seder G01S 13/723
340/903
2010/0253541 A1 * 10/2010 Seder G01S 13/723
340/905

2010/0253594 A1 * 10/2010 Szczerba G01S 13/723
345/7
2010/0253595 A1 * 10/2010 Szczerba G01C 21/365
345/7
2010/0254019 A1 * 10/2010 Cui G01S 13/723
359/633
2010/0289632 A1 * 11/2010 Seder G01S 13/723
340/436
2010/0292886 A1 * 11/2010 Szczerba G01C 21/365
701/31.4
2011/0153209 A1 * 6/2011 Geelen G08G 1/005
701/533

OTHER PUBLICATIONS

Vector Triangle Black Flag; Announced Nov. 12, 2012, [Site Visited
Oct. 14, 2015]<http://all-free-download.com/free-vector/vector-triangle-black-flag.html>.*

* cited by examiner

Fig. 1

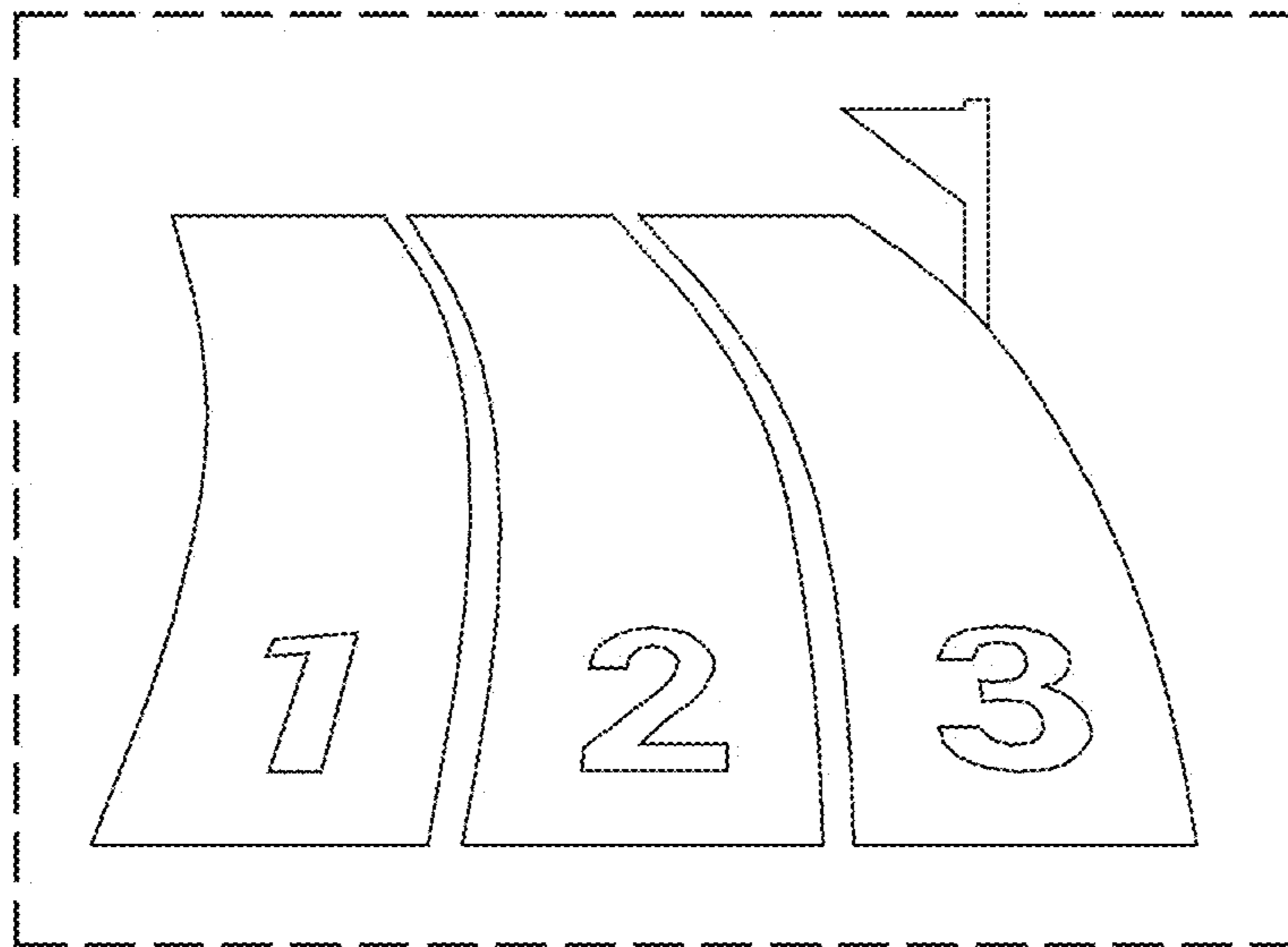


Fig. 2

