



US00D760771S

(12) **United States Design Patent**
Zhu

(10) **Patent No.:** **US D760,771 S**
(45) **Date of Patent:** **** Jul. 5, 2016**

(54) **PORTION OF A DISPLAY SCREEN WITH GRAPHICAL USER INTERFACE**

(71) Applicant: **Tencent Technology (Shenzhen) Company Limited**, Shenzhen, Guangdong (CN)

(72) Inventor: **Linjie Zhu**, Guangdong (CN)

(73) Assignee: **Tencent Technology (Shenzhen) Company Limited** (CN)

(**) Term: **14 Years**

(21) Appl. No.: **29/481,731**

(22) Filed: **Feb. 10, 2014**

(51) **LOC (10) Cl.** **14-04**

(52) **U.S. Cl.**
USPC **D14/488**

(58) **Field of Classification Search**
USPC D14/485-489
CPC G06F 3/0482; G06F 17/5086; G06F 17/5087; G06F 17/5088; G06F 17/5089; G06F 17/509; G06F 17/5091; G06F 17/5092; G06F 17/5093; G06F 17/5094; G06F 17/5095; G06F 2203/04803; G06F 2203/04804; G06F 2203/04805

See application file for complete search history.

(56) **References Cited**

U.S. PATENT DOCUMENTS

- 5,169,342 A * 12/1992 Steele G06F 3/0481 273/454
- 5,515,486 A * 5/1996 Amro G06F 3/04815 345/419
- D398,299 S * 9/1998 Ballay D14/488
- 5,966,122 A * 10/1999 Itoh G06F 3/04845 348/239
- D555,663 S * 11/2007 Nagata D14/488
- D558,221 S * 12/2007 Nagata D14/488
- D571,821 S * 6/2008 Amacker D14/488
- D573,605 S * 7/2008 Amacker D14/488
- D593,578 S * 6/2009 Ball D14/488

- D594,026 S * 6/2009 Ball D14/488
- D607,889 S * 1/2010 Poling D14/485
- D608,365 S * 1/2010 Walsh D14/485

(Continued)

OTHER PUBLICATIONS

3D Carousel Menu AS3 FX, posted at FlashXML.net, posted Mar. 2, 2012, © 2009-2016 FlashXML.net, [site visited Feb. 17, 2016]. Available from internet: <<http://www.flashxml.net/3d-carousel-menu-as3.html>>.*

(Continued)

Primary Examiner — Karen E Kearney

Assistant Examiner — Alyse Joseph

(74) *Attorney, Agent, or Firm* — Design IP

(57) **CLAIM**

The ornamental design for a portion of a display screen with graphical user interface, as shown and described.

DESCRIPTION

FIG. 1 is a front view of a first embodiment of a portion of a display screen with graphical user interface showing my new design;

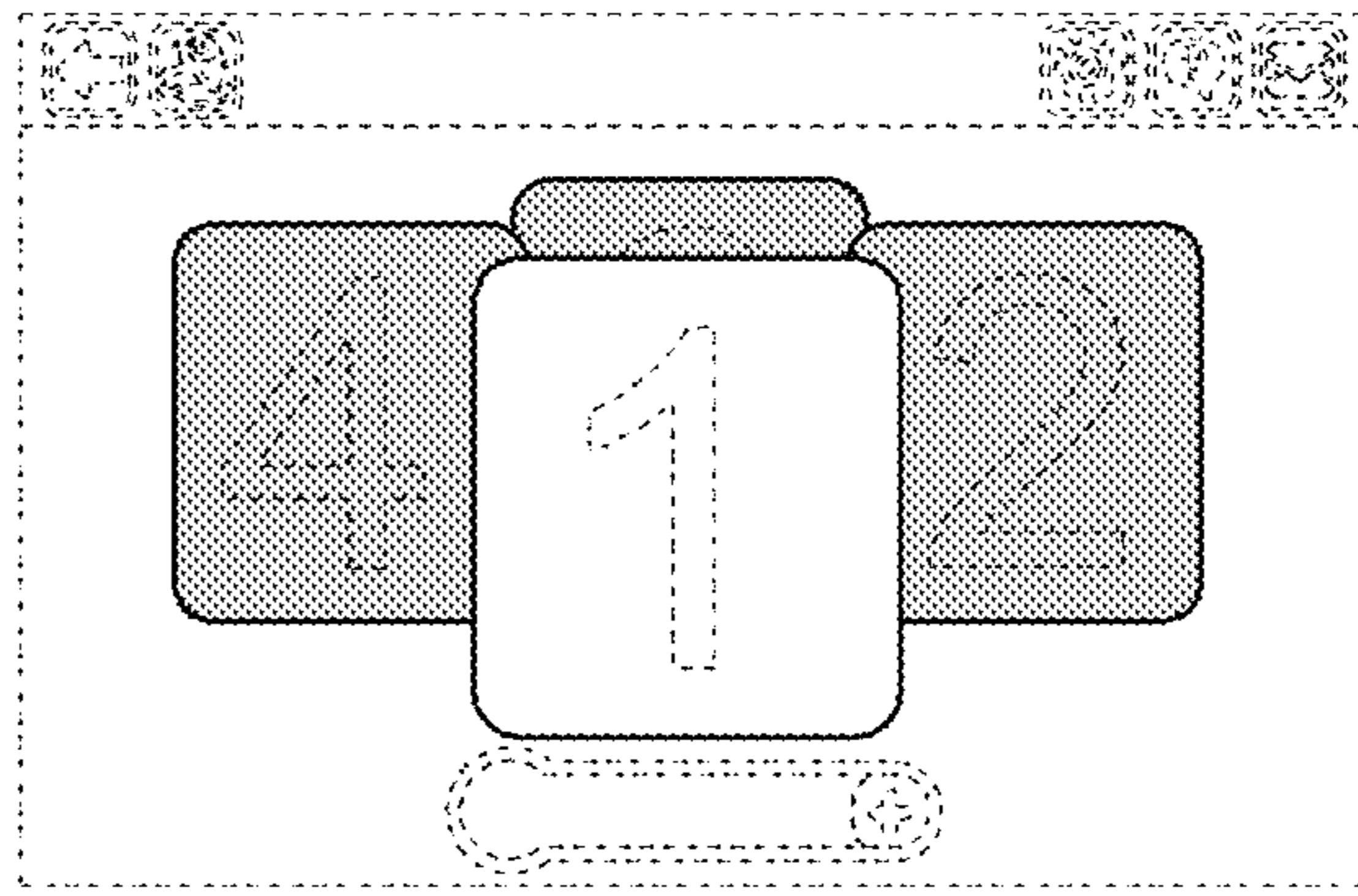
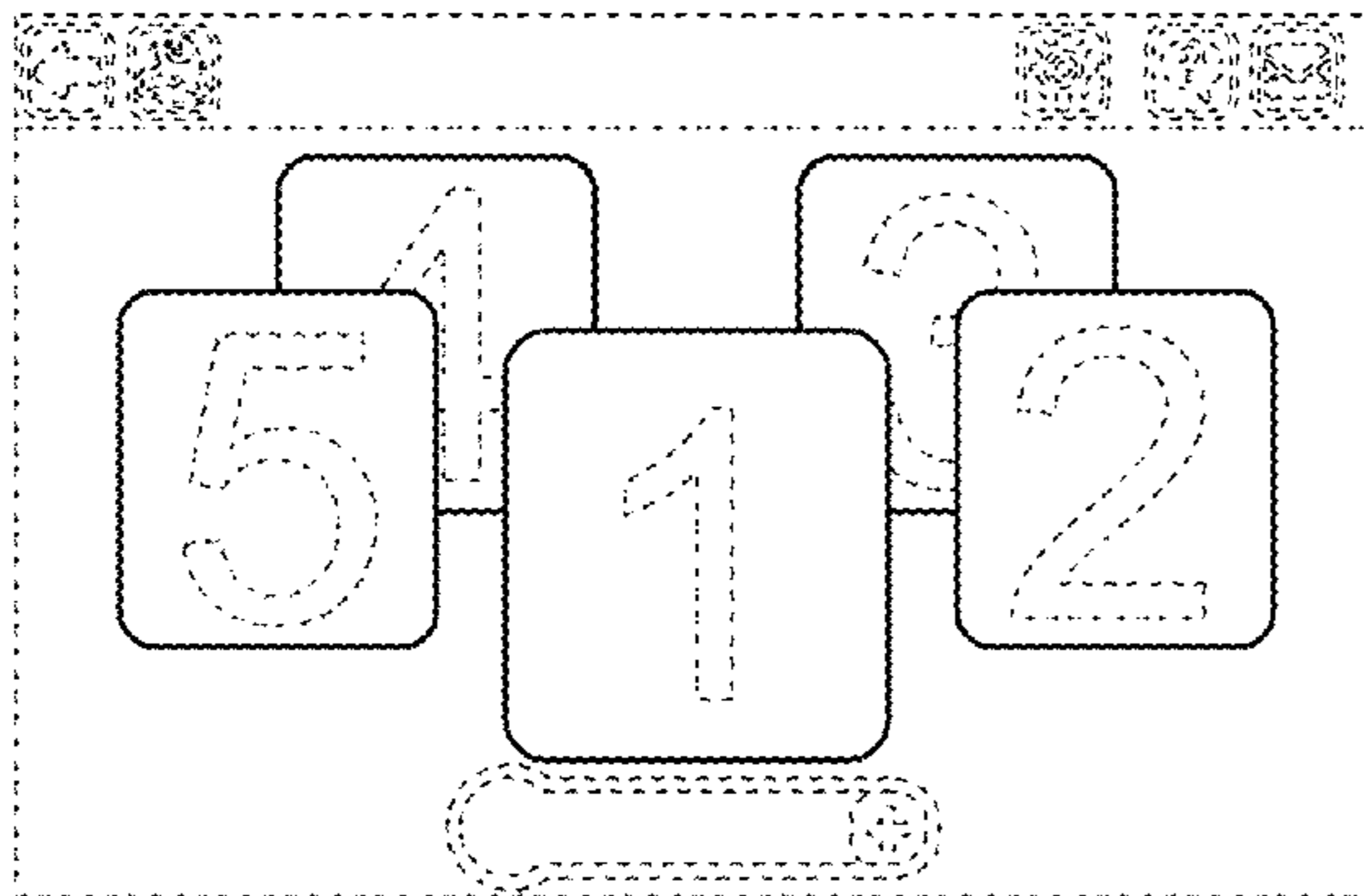
FIG. 2 is a front view of a second embodiment of a portion of a display screen with graphical user interface showing my new design;

FIG. 3 is a front view of a third embodiment of a portion of a display screen with graphical user interface showing my new design; and,

FIG. 4 is a front view of a fourth embodiment of a portion of a display screen with graphical user interface showing my new design.

The broken line showing of a portion of a display screen in FIGS. 1 through 4 forms no part of the claimed design. The broken line showing of text and portions of the graphical user interface in FIGS. 1 through 4 represents environmental subject matter and forms no part of the claimed design. The greyscale fill shown within the icons in FIG. 3 illustrates a contrast in appearance.

1 Claim, 4 Drawing Sheets



(56)

References Cited

U.S. PATENT DOCUMENTS

D611,053 S * 3/2010 Kanga D14/485
 D614,640 S * 4/2010 Vieggers D14/486
 D614,643 S * 4/2010 Vieggers D14/486
 D633,920 S * 3/2011 Luke D14/486
 D634,753 S * 3/2011 Loretan D14/488
 D637,606 S * 5/2011 Luke D14/488
 D638,432 S * 5/2011 Flik D14/486
 D645,872 S * 9/2011 Smith D14/488
 D663,741 S * 7/2012 Cielak D14/488
 D698,813 S * 2/2014 Brown D14/488
 D704,729 S * 5/2014 Khanna D14/488
 D705,250 S * 5/2014 Khanna D14/488
 D707,249 S * 6/2014 Yamada D14/488
 D721,378 S * 1/2015 Moon D14/485
 D721,379 S * 1/2015 Moon D14/485
 D731,526 S * 6/2015 Chen D14/488
 D745,040 S * 12/2015 Leighton D14/488
 2003/0179234 A1 * 9/2003 Nelson G06T 11/206
 715/764
 2004/0150657 A1 * 8/2004 Wittenburg G06F 3/04815
 345/619
 2005/0063613 A1 * 3/2005 Casey G06F 3/0482
 382/305
 2005/0195157 A1 * 9/2005 Kramer G06F 3/04845
 345/156
 2006/0109283 A1 * 5/2006 Shipman G06F 3/04815
 345/629
 2009/0007014 A1 * 1/2009 Coomer G06F 3/0485
 715/830
 2010/0053221 A1 * 3/2010 Kaneko G06F 3/04845
 345/684
 2010/0158471 A1 * 6/2010 Ogikubo G06F 3/04845
 386/278
 2010/0162151 A1 * 6/2010 Class G06F 3/0483
 715/765
 2011/0055773 A1 * 3/2011 Agarawala G06F 3/016
 715/863
 2011/0080427 A1 * 4/2011 Oda G06F 3/04845
 345/634
 2011/0126148 A1 * 5/2011 Krishnaraj G06F 3/016
 715/784

2011/0163971 A1 * 7/2011 Wagner G06F 3/04817
 345/173
 2011/0185299 A1 * 7/2011 Hinckley G06F 3/03545
 715/769
 2011/0202866 A1 * 8/2011 Huang G06F 3/0482
 715/779
 2012/0050273 A1 * 3/2012 Yoo G06F 3/012
 345/419
 2012/0262398 A1 * 10/2012 Kim G06F 3/041
 345/173
 2013/0254705 A1 * 9/2013 Mooring G06F 3/0488
 715/784
 2014/0033117 A1 * 1/2014 Kim G06F 3/04845
 715/796
 2014/0092002 A1 * 4/2014 Manzari G06F 3/04845
 345/156
 2014/0168205 A1 * 6/2014 Naveh G06F 3/0485
 345/419
 2014/0337792 A1 * 11/2014 Phang G06F 3/04815
 715/784
 2015/0309691 A1 * 10/2015 Seo G06F 1/1641
 345/173
 2015/0370335 A1 * 12/2015 Tsukahara G06F 1/163
 345/8
 2015/0370424 A1 * 12/2015 Joo G06F 3/0488
 715/830

OTHER PUBLICATIONS

Carousel Canvas Gallery, posted at TheWebMaker.com, posted Apr. 3, 2012, © 2016 Responsive Html5 JavaScript Web Gallery, [site visited Feb. 17, 2016]. Available from internet: <<http://www.thewebmaker.net/Carousel-Canvas-Gallery.html>>.*
 WMT Carousel Menu Gallery—Joomla Module, posted at WebMaster-Tips.net, posting date not posted, [site visited Feb. 17, 2016]. Available from internet: <<http://www.webmaster-tips.net/Joomla-Extensions/Joomla-Modules/WMT-Carousel-Menu-Gallery-Joomla-Module.html>>.*
 How Xbox Live Indie Games Looks on the New Dashboard, posted at indiegames.com by Michael Rose, posted Nov. 1, 2010, [site visited Feb. 17, 2016]. Available from internet: <http://indiegames.com/2010/11/how_xbox_live_indie_games_look.html>.*

* cited by examiner

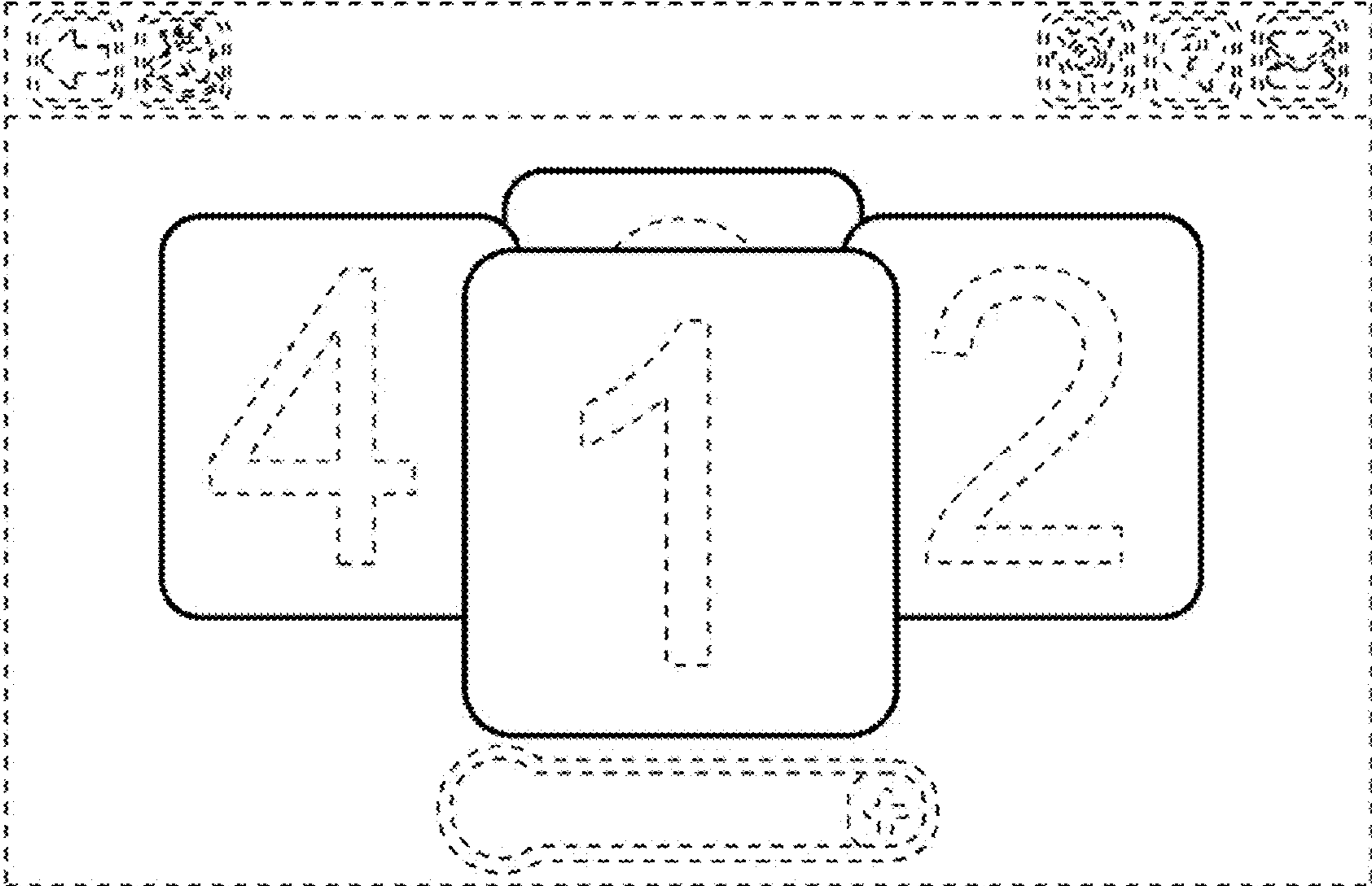


FIG. 1

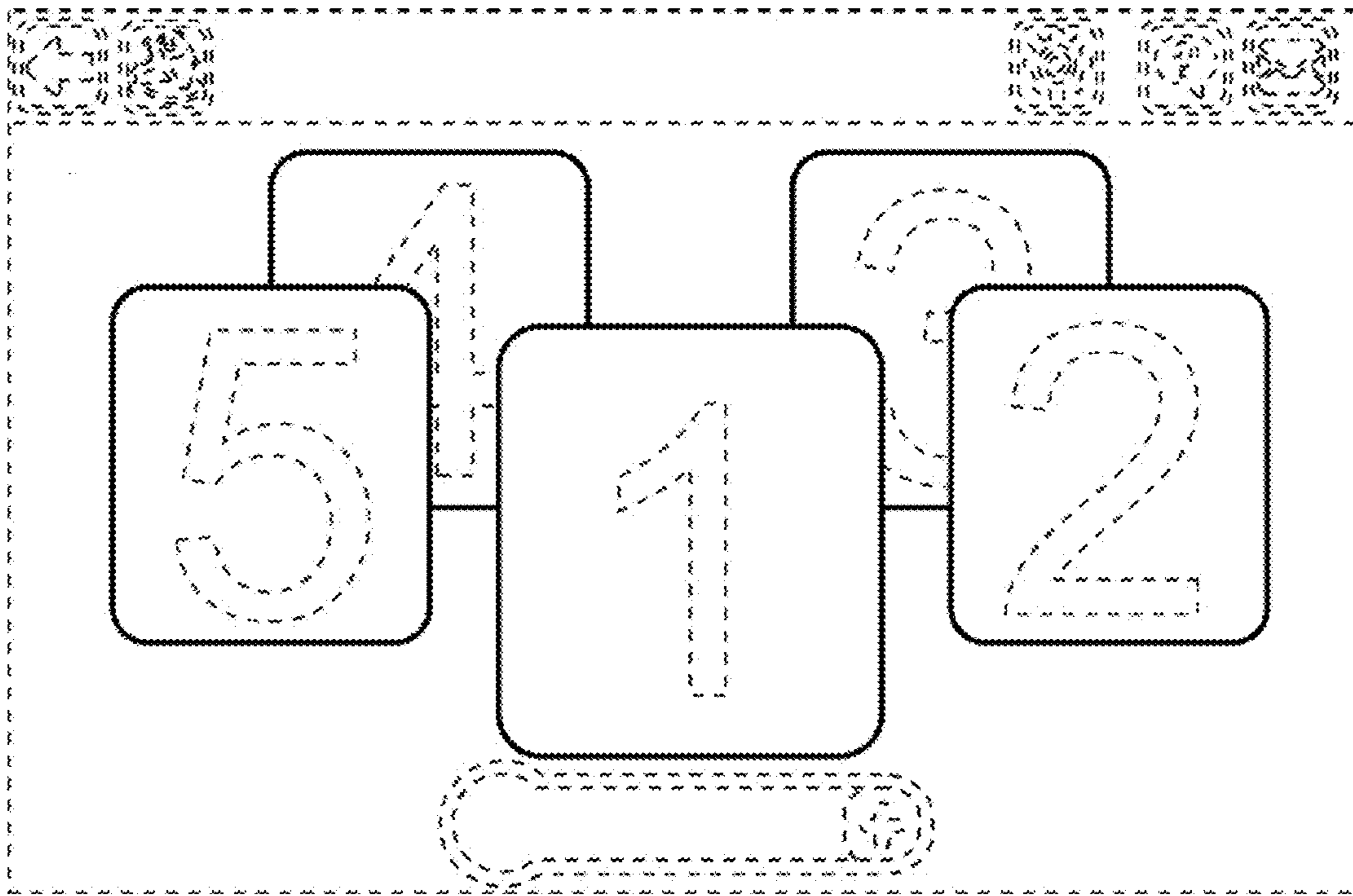


FIG. 2

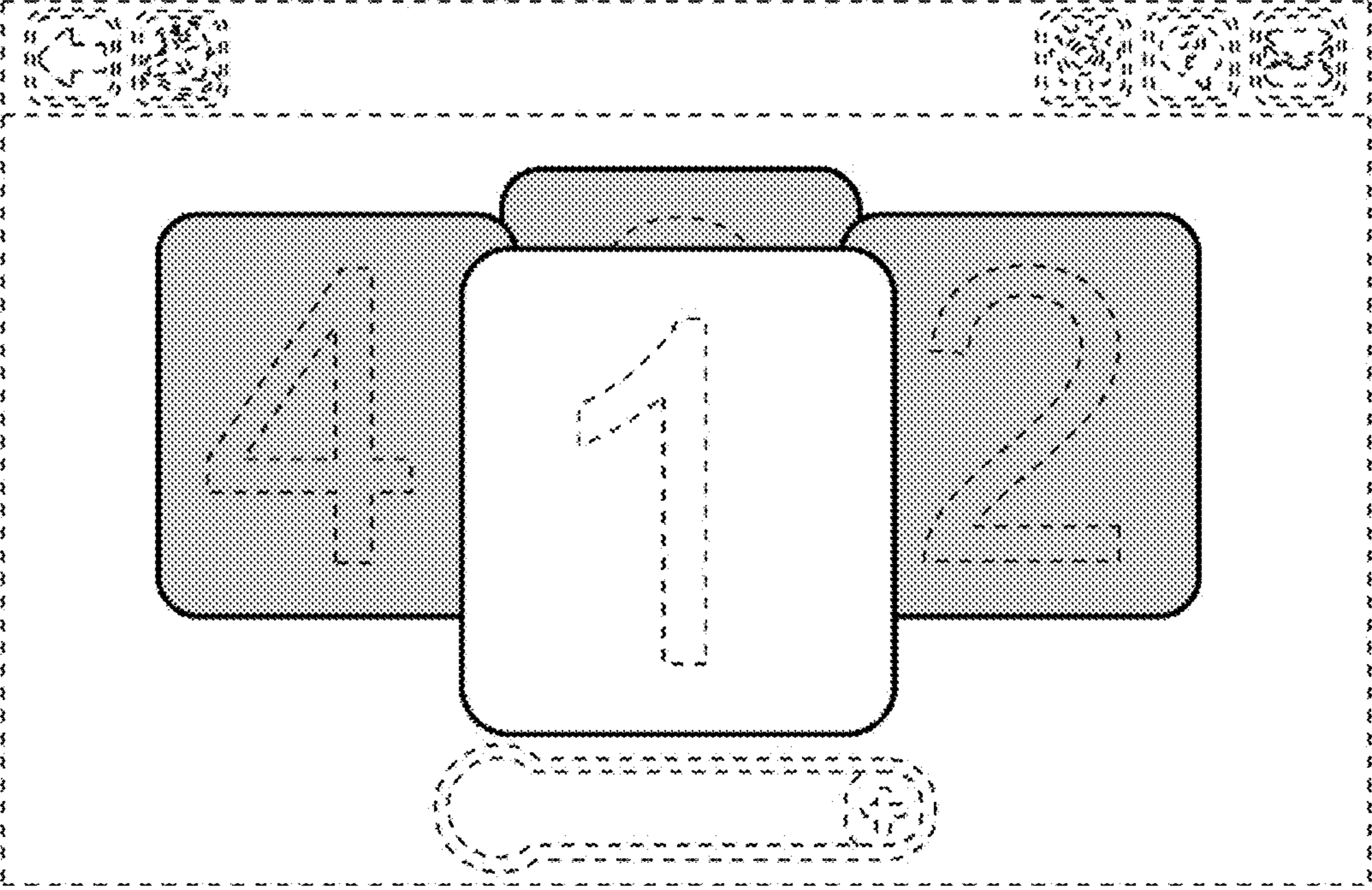


FIG. 3

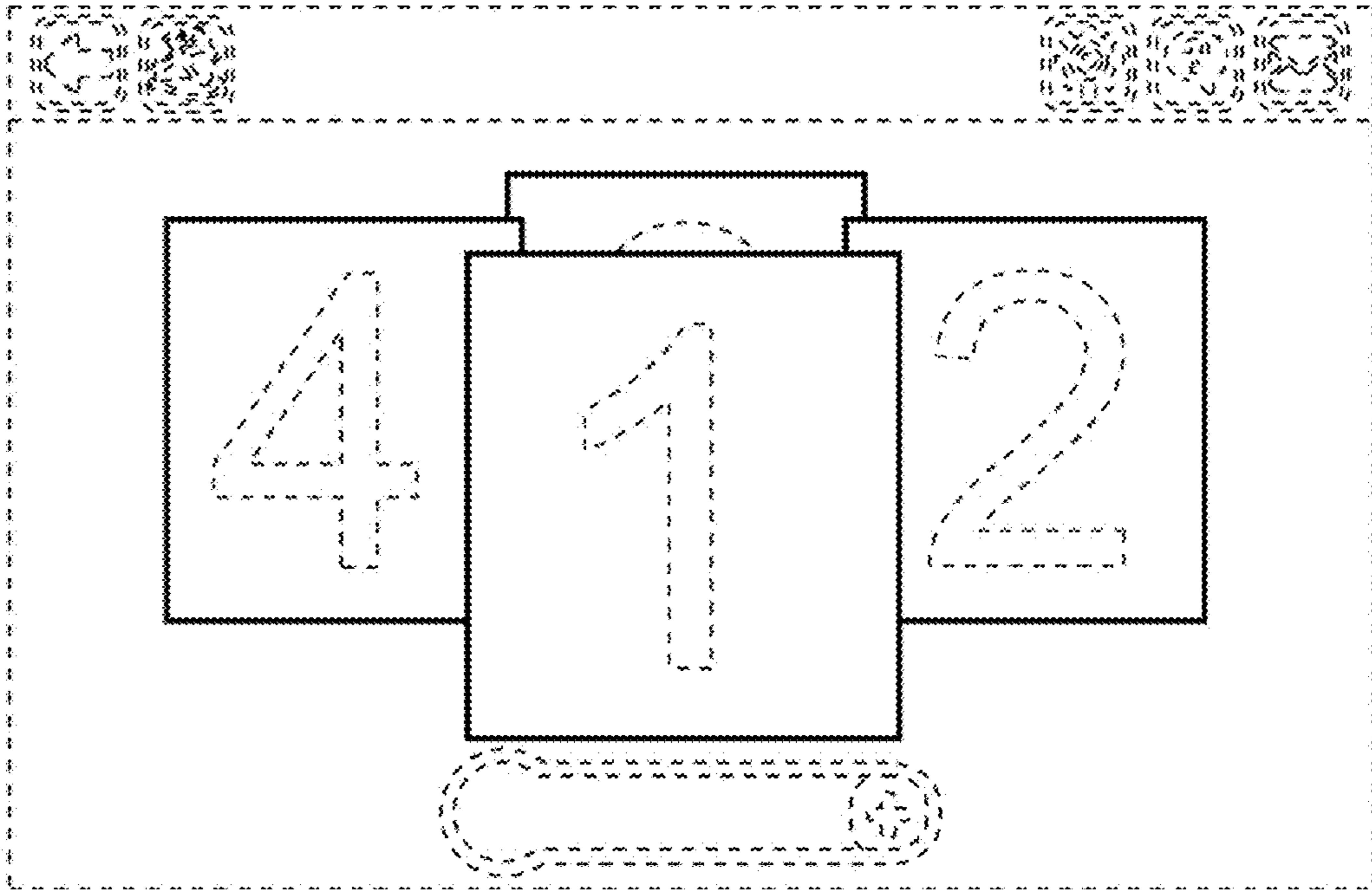


FIG. 4