



US00D760770S

(12) **United States Design Patent**
Zhu

(10) **Patent No.:** **US D760,770 S**
(45) **Date of Patent:** **** Jul. 5, 2016**

(54) **PORTION OF A DISPLAY SCREEN WITH ANIMATED GRAPHICAL USER INTERFACE**

(71) Applicant: **Tencent Technology (Shenzhen) Company Limited**, Shenzhen, Guangdong (CN)

(72) Inventor: **Linjie Zhu**, Guangdong (CN)

(73) Assignee: **Tencent Technology (Shenzhen) Company Limited** (CN)

(**) Term: **14 Years**

(21) Appl. No.: **29/481,730**

(22) Filed: **Feb. 10, 2014**

(51) **LOC (10) Cl.** **14-04**

(52) **U.S. Cl.**
USPC **D14/488**

(58) **Field of Classification Search**

USPC D14/485-489
CPC G06F 3/0482; G06F 17/5086; G06F 17/5087; G06F 17/5088; G06F 17/5089; G06F 17/509; G06F 17/5091; G06F 17/5092; G06F 17/5093; G06F 17/5094; G06F 17/5095; G06F 2203/04803; G06F 2203/04804; G06F 2203/04805

See application file for complete search history.

(56) **References Cited**

U.S. PATENT DOCUMENTS

5,169,342 A * 12/1992 Steele G06F 3/0481 273/454
5,515,486 A * 5/1996 Amro G06F 3/04815 345/419

(Continued)

OTHER PUBLICATIONS

3D Carousel Menu AS3 FX, posted at FlashXML.net, posted Mar. 2, 2012, © 2009-2016 FlashXML.net, [site visited Feb. 17, 2016]. Available from internet: <<http://www.flashxml.net/3d-carousel-menu-as3.html>>.*

(Continued)

Primary Examiner — Karen E Kearney

Assistant Examiner — Alyse Joseph

(57) **CLAIM**

The ornamental design for a portion of a display screen with animated graphical user interface, as shown and described.

(74) *Attorney, Agent, or Firm* — Design IP

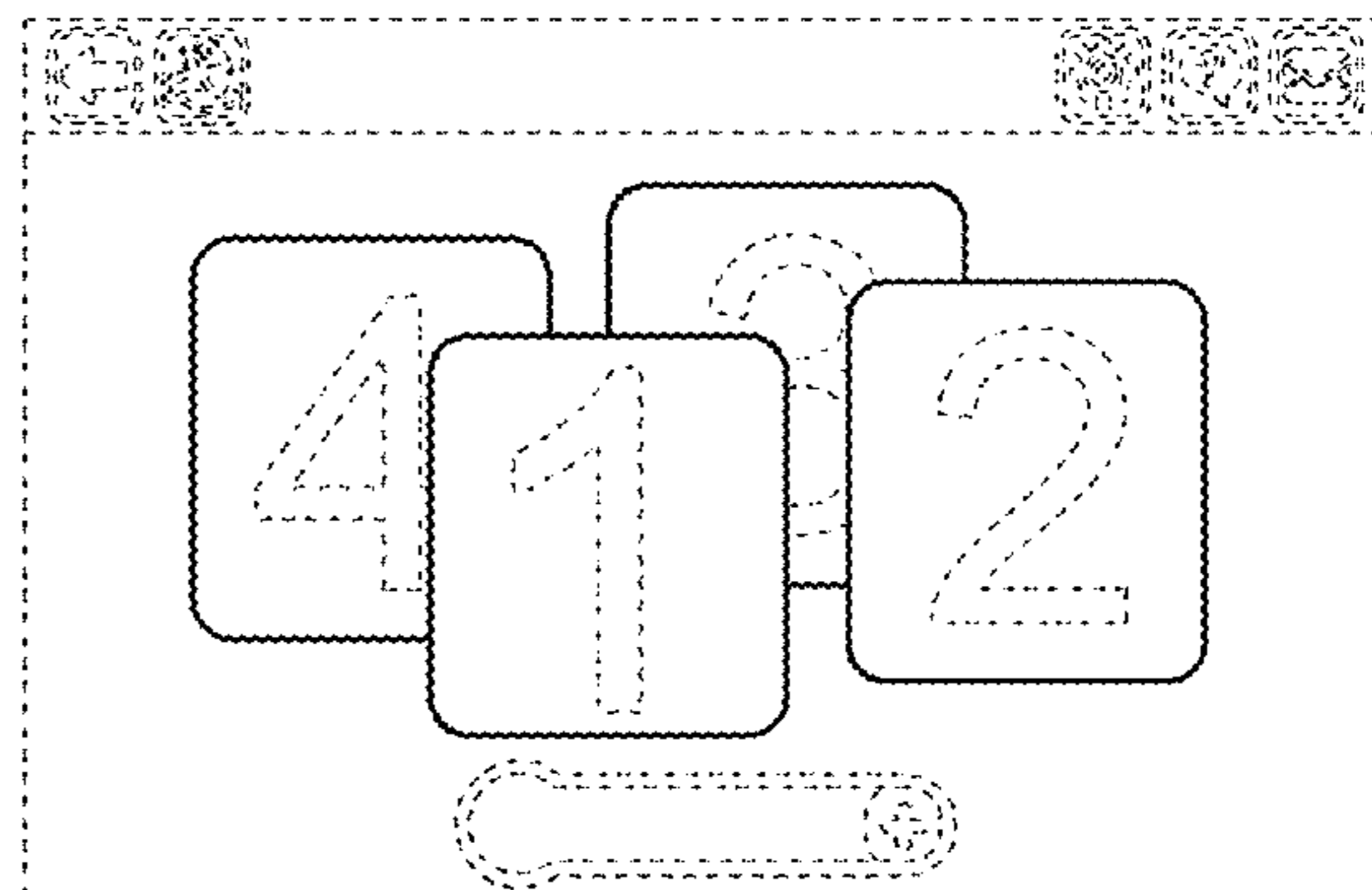
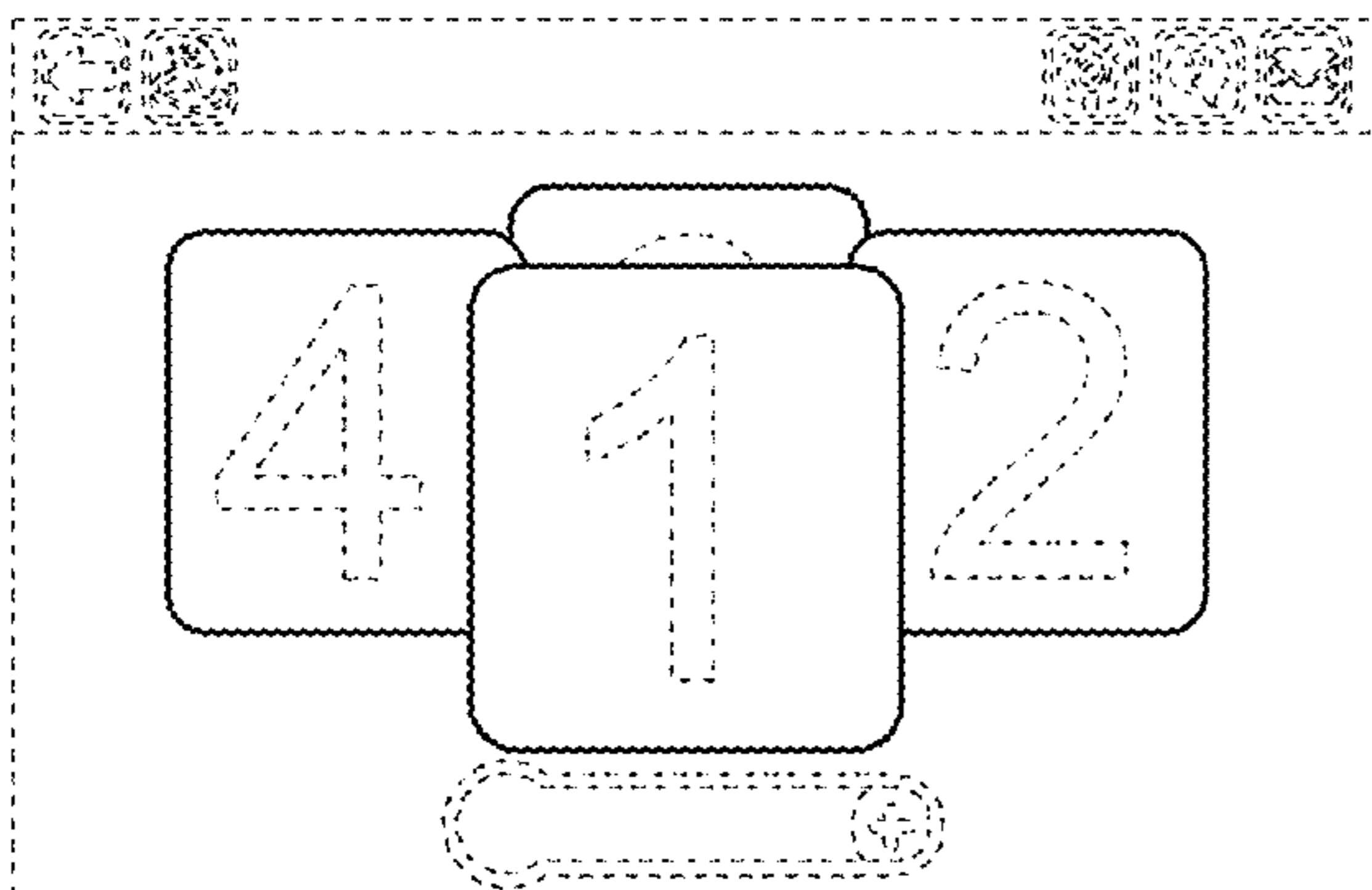
DESCRIPTION

FIG. 1 is a front view of a first image of a first embodiment of an portion of a display screen with animated graphical user interface showing my new design;
FIG. 2 is a front view of a second image thereof;
FIG. 3 is a front view of a third image thereof;
FIG. 4 is a front view of a fourth image thereof;
FIG. 5 is a front view of a first image of a second embodiment of an portion of a display screen with animated graphical user interface showing my new design;
FIG. 6 is a front view of a second image thereof;
FIG. 7 is a front view of a third image thereof;
FIG. 8 is a front view of a fourth image thereof;
FIG. 9 is a front view of a first image of a third embodiment of an portion of a display screen with animated graphical user interface showing my new design;
FIG. 10 is a front view of a second image thereof;
FIG. 11 is a front view of a third image thereof;
FIG. 12 is a front view of a fourth image thereof;
FIG. 13 is a front view of a first image of a fourth embodiment of an portion of a display screen with animated graphical user interface showing my new design;
FIG. 14 is a front view of a second image thereof;
FIG. 15 is a front view of a third image thereof; and,
FIG. 16 is a front view of a fourth image thereof.

In the first embodiment, the appearance of the transitional image sequentially transitions between the images shown in FIGS. 1 through 4. In the second embodiment, the appearance of the transitional image sequentially transitions between the images shown in FIGS. 5 through 8. In the third embodiment, the appearance of the transitional image sequentially transitions between the images shown in FIGS. 9 through 12. In the fourth embodiment, the appearance of the transitional image sequentially transitions between the images shown in FIGS. 13 through 16. The process or period in which one image transitions to another image forms no part of the claimed design.

The broken line showing of a portion of a display screen in FIGS. 1 through 16 forms no part of the claimed design. The broken line showing of text and portions of the graphical user interface in FIGS. 1 through 16 represents environmental subject matter and forms no part of the claimed design. The greyscale fill shown within the icons in FIGS. 9 through 12 illustrates a contrast in appearance.

1 Claim, 16 Drawing Sheets



(56)

References Cited

U.S. PATENT DOCUMENTS

D398,299 S * 9/1998 Ballay D14/488
 5,966,122 A * 10/1999 Itoh G06F 3/04845
 348/239
 D555,663 S * 11/2007 Nagata D14/488
 D558,221 S * 12/2007 Nagata D14/488
 D571,821 S * 6/2008 Amacker D14/488
 D573,605 S * 7/2008 Amacker D14/488
 D593,578 S * 6/2009 Ball D14/488
 D594,026 S * 6/2009 Ball D14/488
 D607,889 S * 1/2010 Poling D14/485
 D608,365 S * 1/2010 Walsh D14/485
 D611,053 S * 3/2010 Kanga D14/485
 D614,640 S * 4/2010 Vieggers D14/486
 D614,643 S * 4/2010 Vieggers D14/486
 D633,920 S * 3/2011 Luke D14/486
 D634,753 S * 3/2011 Loretan D14/488
 D637,606 S * 5/2011 Luke D14/488
 D638,432 S * 5/2011 Flik D14/486
 D645,872 S * 9/2011 Smith D14/488
 D663,741 S * 7/2012 Cielak D14/488
 D698,813 S * 2/2014 Brown D14/488
 D704,729 S * 5/2014 Khanna D14/488
 D705,250 S * 5/2014 Khanna D14/488
 D707,249 S * 6/2014 Yamada D14/488
 D721,378 S * 1/2015 Moon D14/485
 D721,379 S * 1/2015 Moon D14/485
 D731,526 S * 6/2015 Chen D14/488
 D745,040 S * 12/2015 Leighton D14/488
 2003/0179234 A1 * 9/2003 Nelson G06T 11/206
 715/764
 2004/0150657 A1 * 8/2004 Wittenburg G06F 3/04815
 345/619
 2005/0063613 A1 * 3/2005 Casey G06F 3/0482
 382/305
 2005/0195157 A1 * 9/2005 Kramer G06F 3/04845
 345/156
 2006/0109283 A1 * 5/2006 Shipman G06F 3/04815
 345/629
 2009/0007014 A1 * 1/2009 Coomer G06F 3/0485
 715/830
 2010/0053221 A1 * 3/2010 Kaneko G06F 3/04845
 345/684
 2010/0158471 A1 * 6/2010 Ogikubo G06F 3/04845
 386/278
 2010/0162151 A1 * 6/2010 Class G06F 3/0483
 715/765
 2011/0055773 A1 * 3/2011 Agarawala G06F 3/016
 715/863

2011/0080427 A1 * 4/2011 Oda G06F 3/04845
 345/634
 2011/0126148 A1 * 5/2011 Krishnaraj G06F 3/016
 715/784
 2011/0163971 A1 * 7/2011 Wagner G06F 3/04817
 345/173
 2011/0185299 A1 * 7/2011 Hinckley G06F 3/03545
 715/769
 2011/0202866 A1 * 8/2011 Huang G06F 3/0482
 715/779
 2012/0050273 A1 * 3/2012 Yoo G06F 3/012
 345/419
 2012/0262398 A1 * 10/2012 Kim G06F 3/041
 345/173
 2013/0254705 A1 * 9/2013 Mooring G06F 3/0488
 715/784
 2014/0033117 A1 * 1/2014 Kim G06F 3/04845
 715/796
 2014/0092002 A1 * 4/2014 Manzari G06F 3/04845
 345/156
 2014/0168205 A1 * 6/2014 Naveh G06F 3/0485
 345/419
 2014/0337792 A1 * 11/2014 Phang G06F 3/04815
 715/784
 2015/0309691 A1 * 10/2015 Seo G06F 1/1641
 345/173
 2015/0370335 A1 * 12/2015 Tsukahara G06F 1/163
 345/8
 2015/0370424 A1 * 12/2015 Joo G06F 3/0488
 715/830

OTHER PUBLICATIONS

Carousel Canvas Gallery, posted at TheWebMaker.com, posted Apr. 3, 2012, © 2016 Responsive Html5 JavaScript Web Gallery, [site visited Feb. 17, 2016]. Available from internet: <<http://www.thewebmaker.net/Carousel-Canvas-Gallery.html>>.*
 WMT Carousel Menu Gallery—Joomla Module, posted at WebMaster-Tips.net, posting date not posted, [site visited Feb. 17, 2016]. Available from internet: <<http://www.webmaster-tips.net/Joomla-Extensions/Joomla-Modules/WMT-Carousel-Menu-Gallery-Joomla-Module.html>>.*
 How Xbox Live Indie Games Looks on the New Dashboard, posted at indiegames.com by Michael Rose, posted Nov. 1, 2010, [site visited Feb. 17, 2016]. Available from internet: <http://indiegames.com/2010/11/how_xbox_live_indie_games_look.html>.*

* cited by examiner

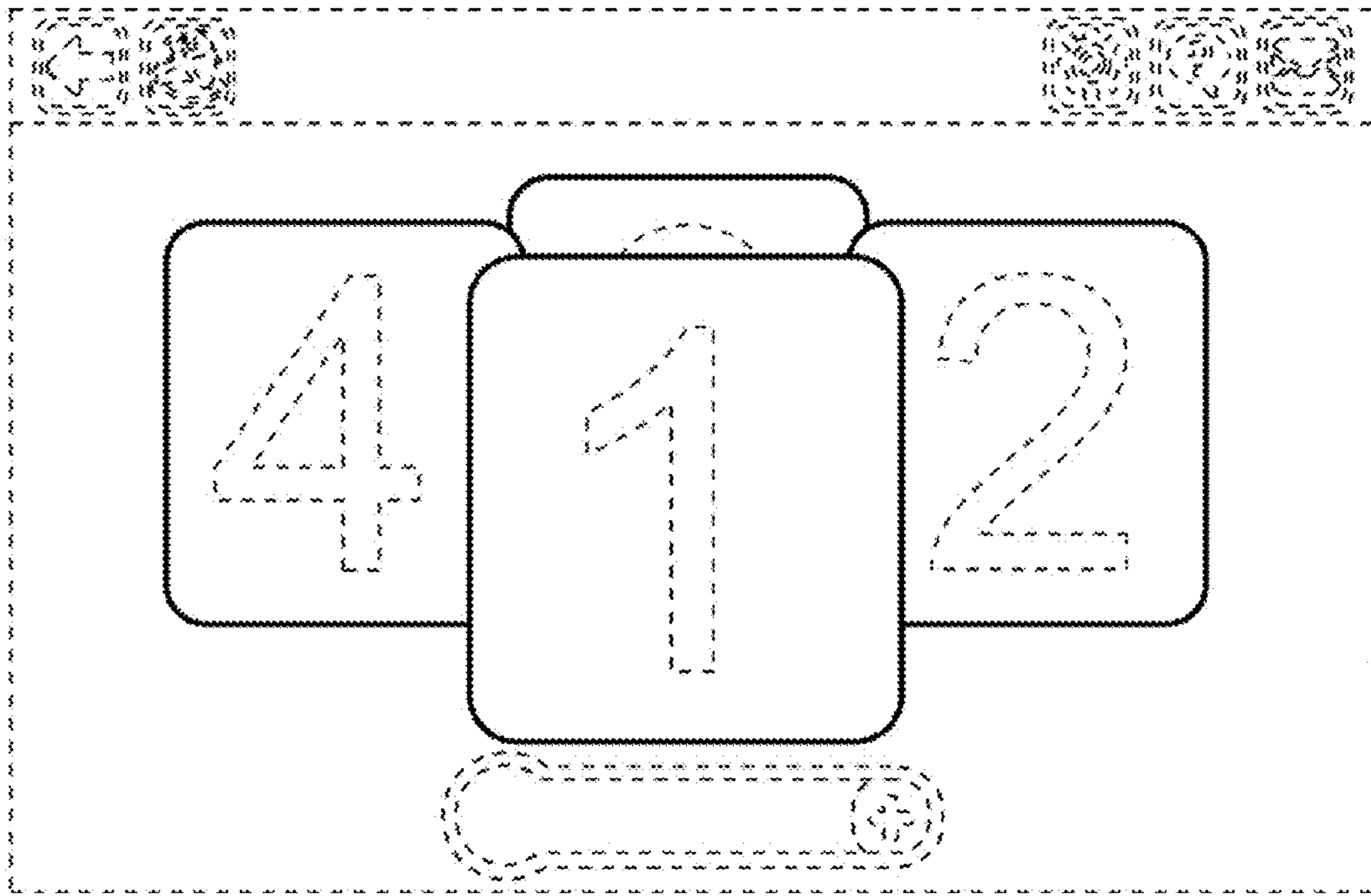


FIG. 1

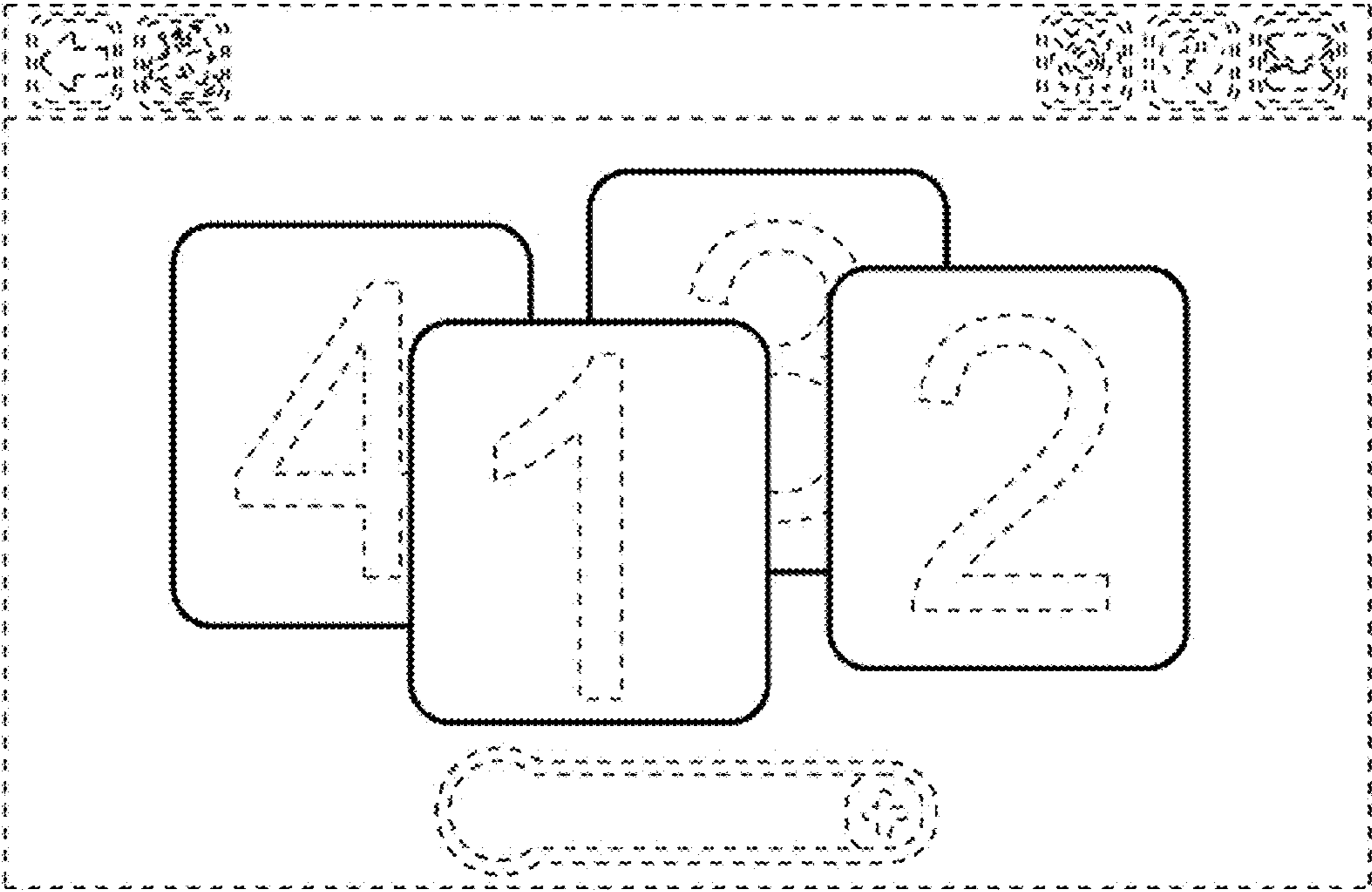


FIG. 2

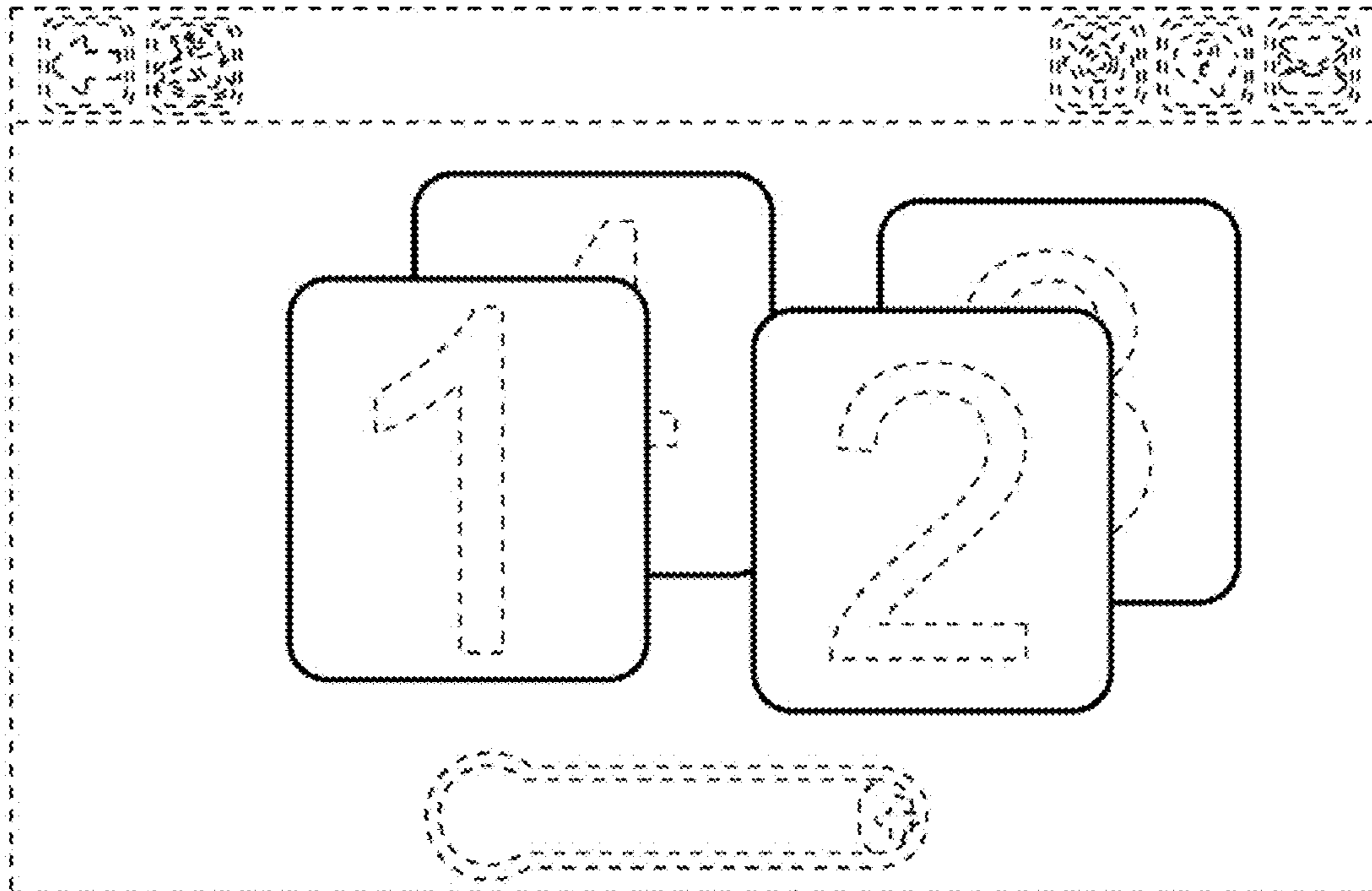


FIG. 3

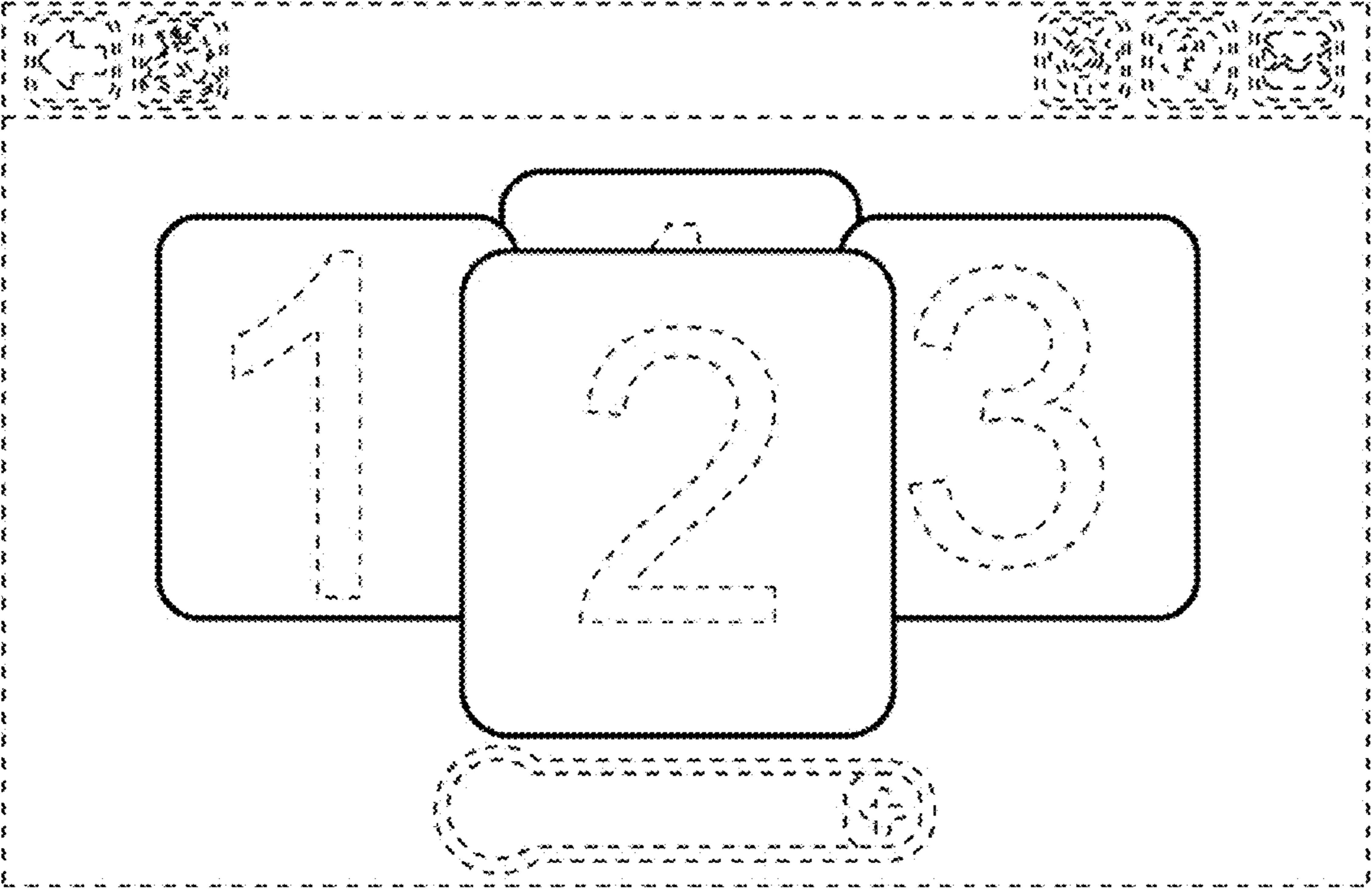


FIG. 4

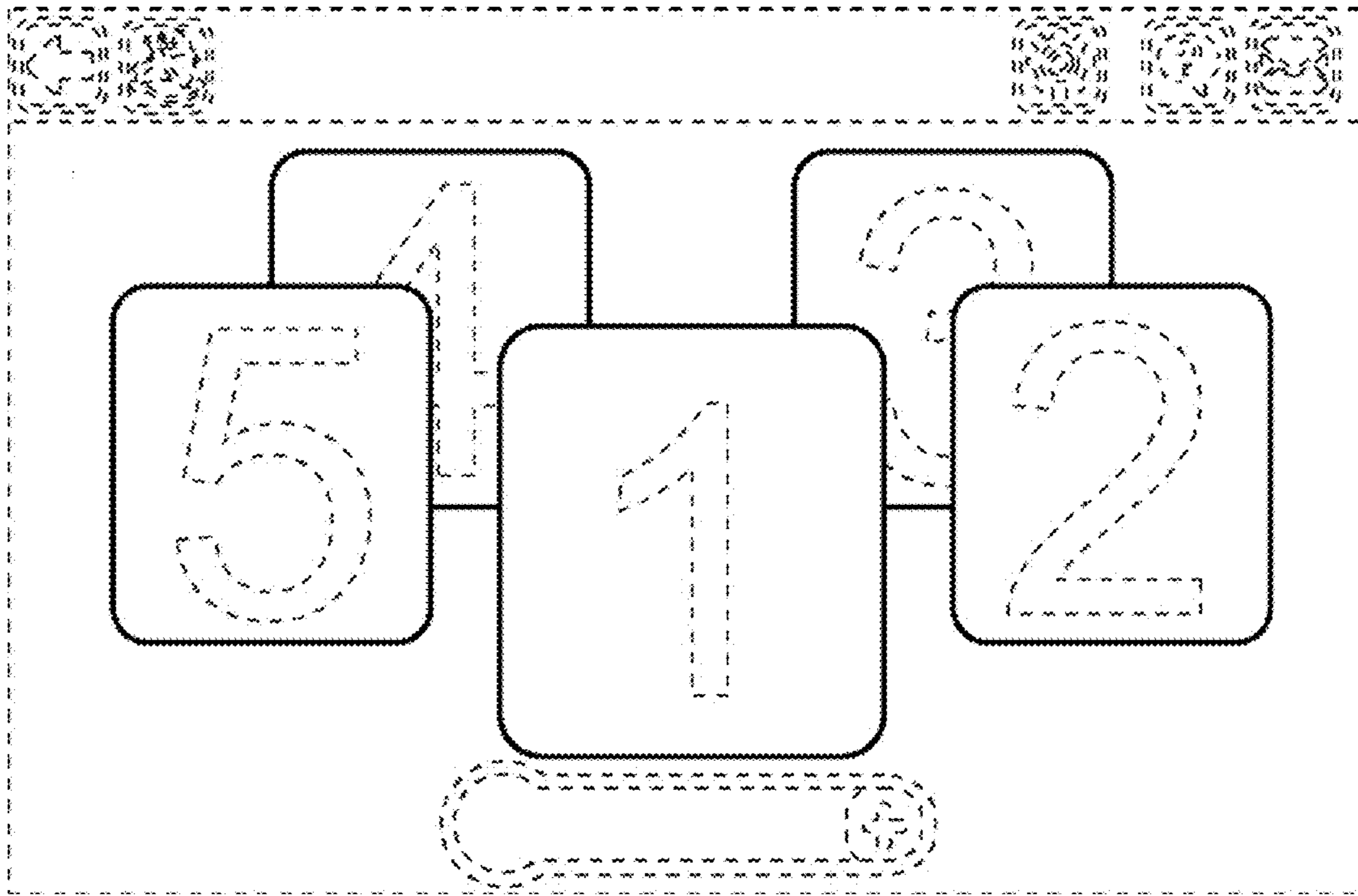


FIG. 5

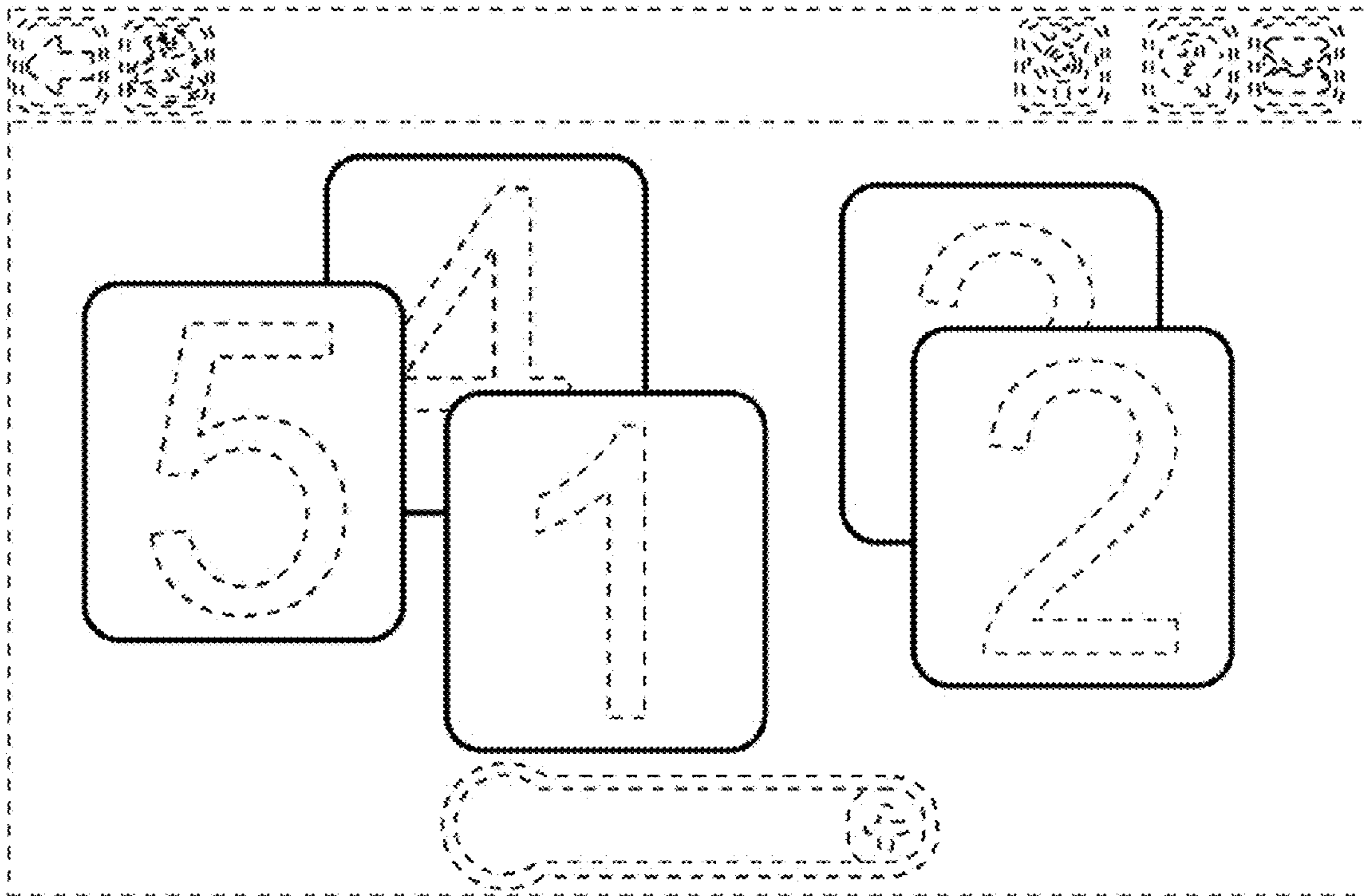


FIG. 6

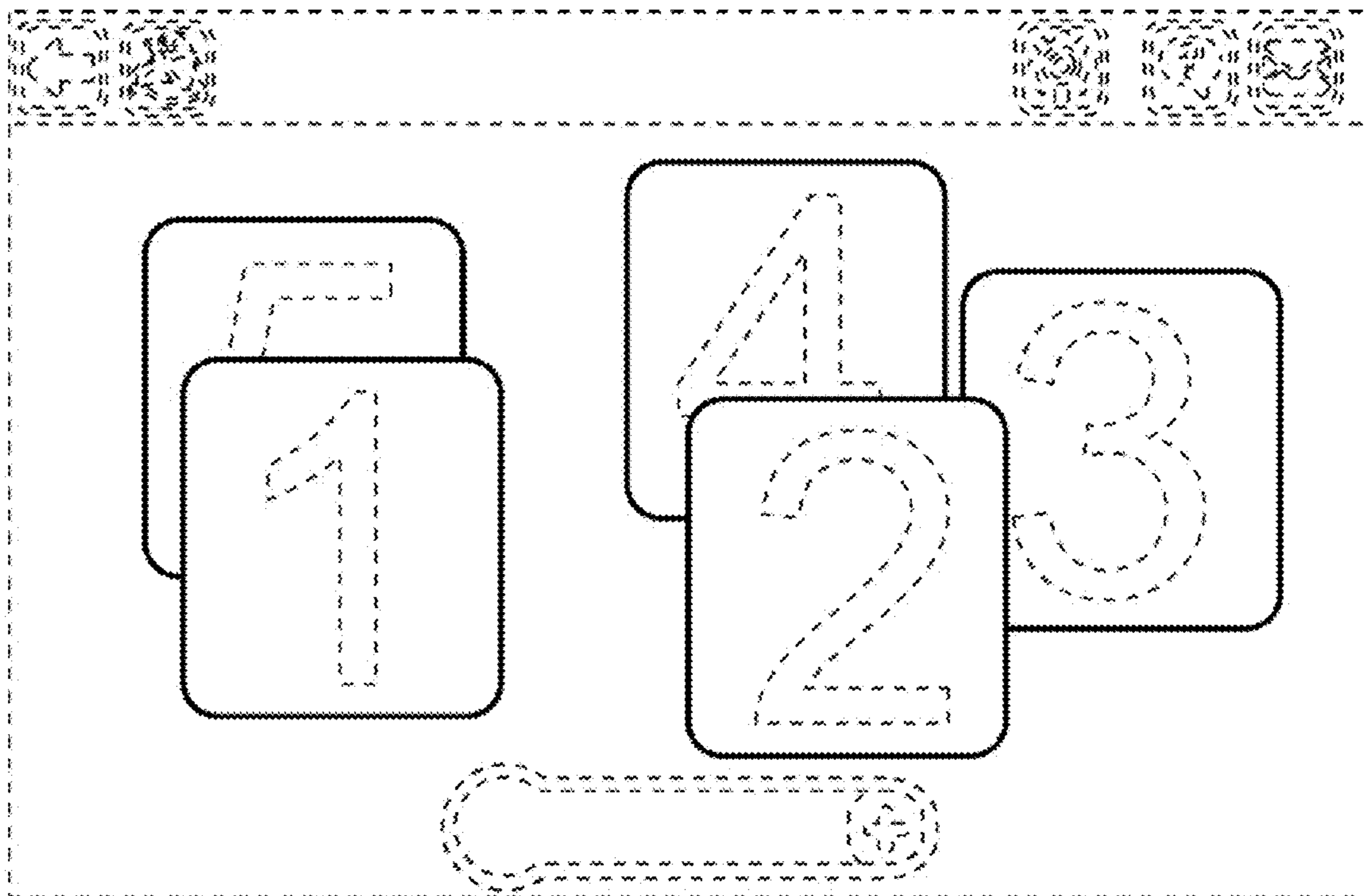


FIG. 7

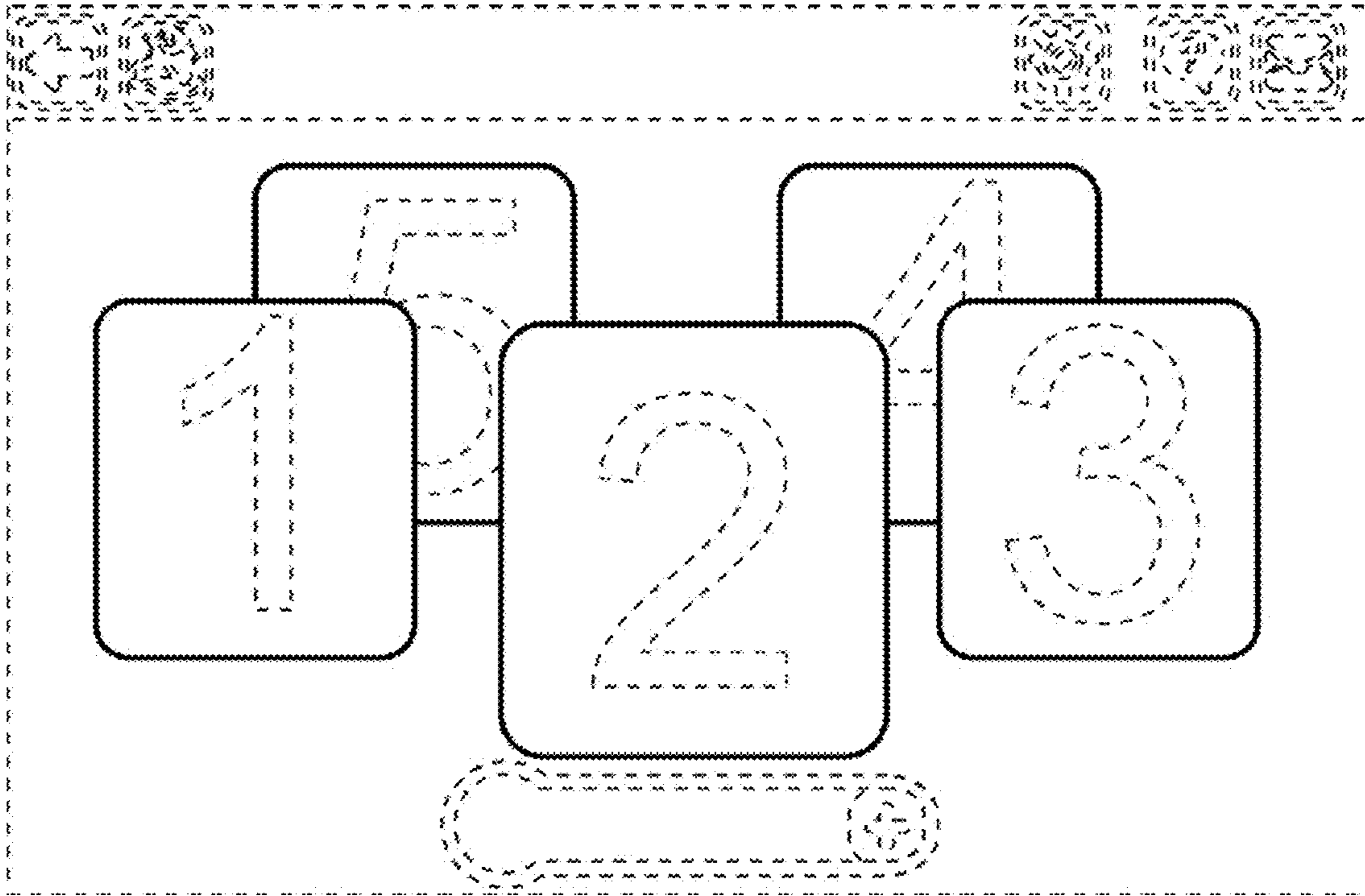


FIG. 8

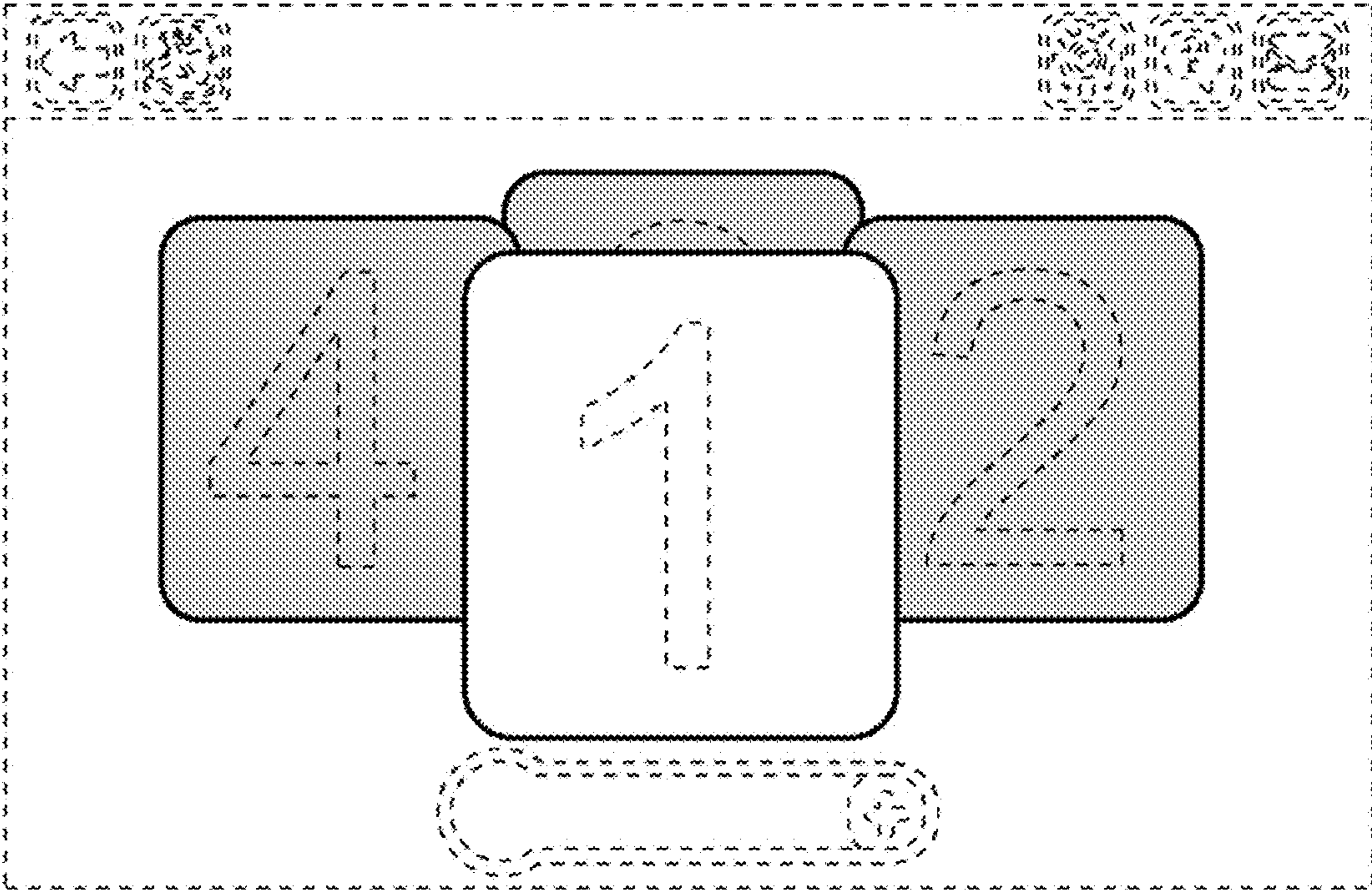


FIG. 9

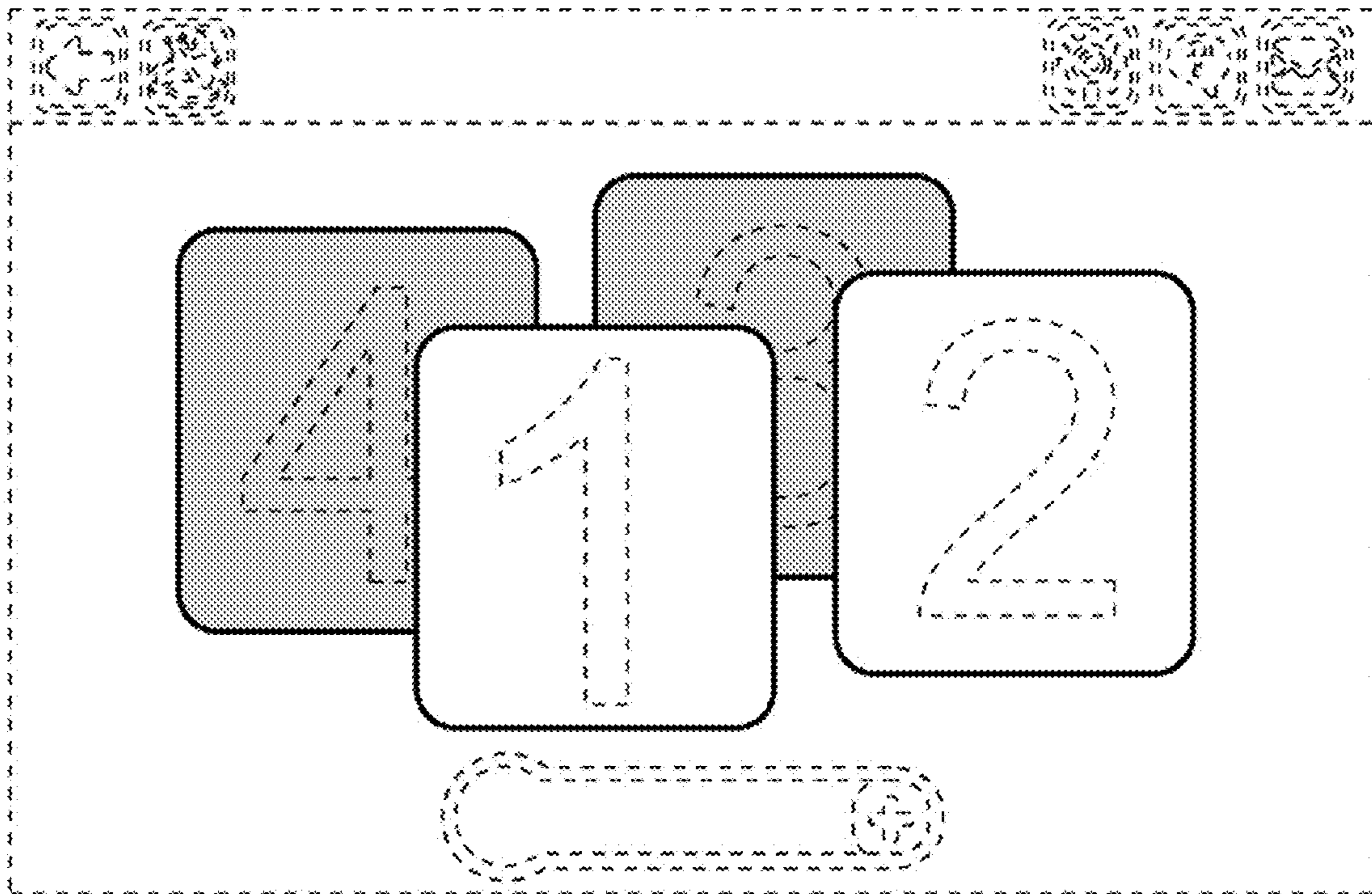


FIG. 10

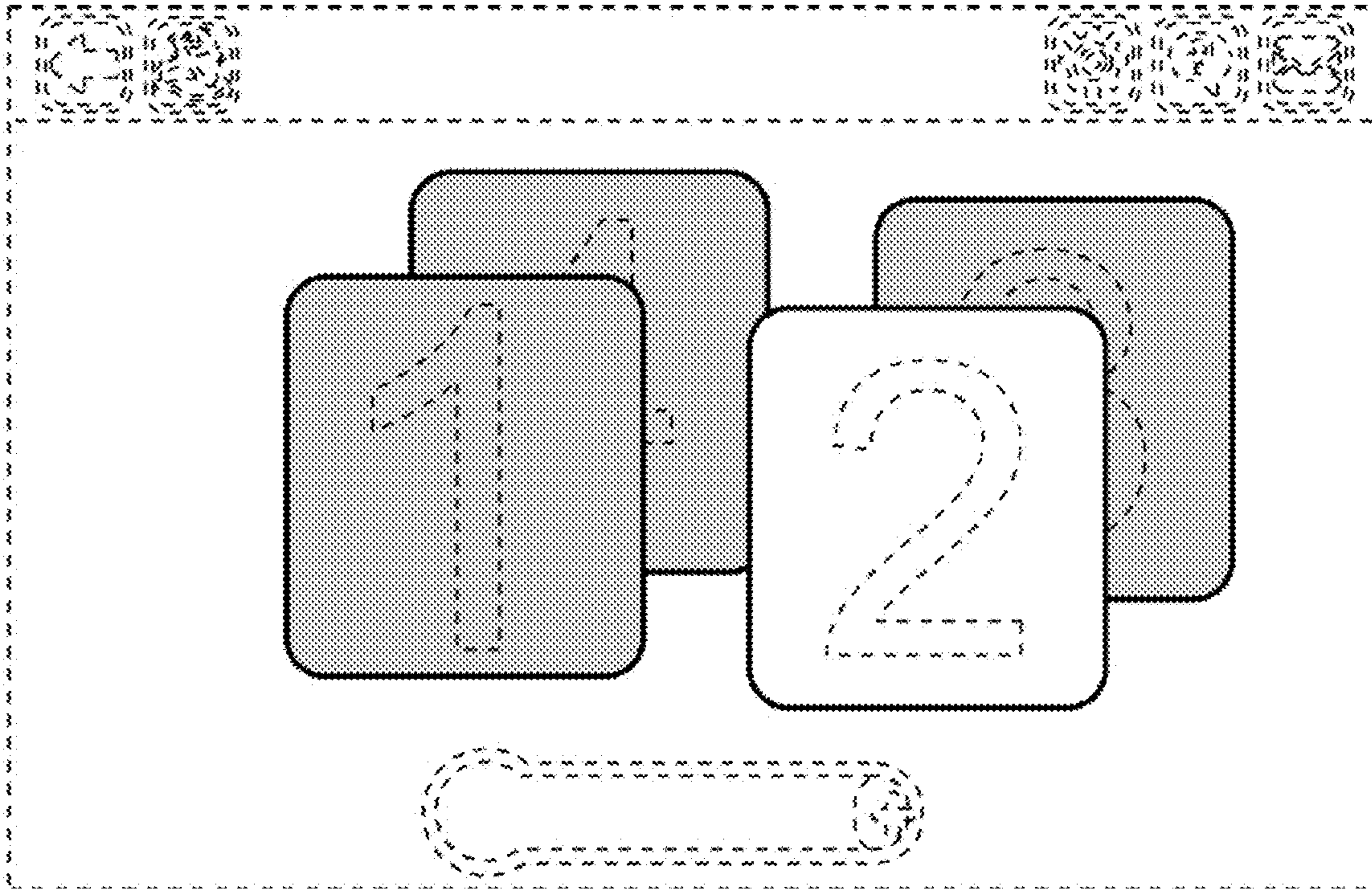


FIG. 11

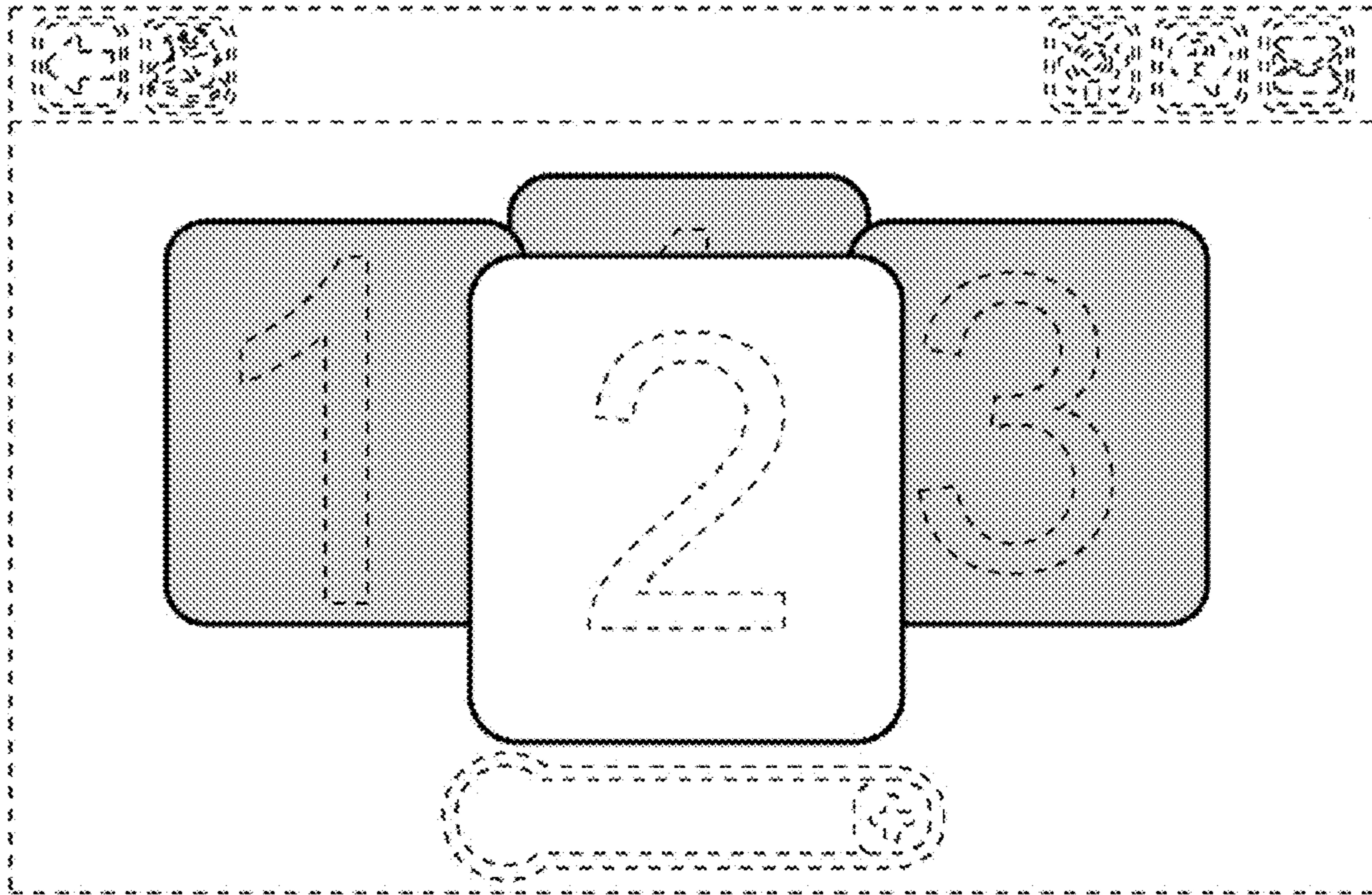


FIG. 12

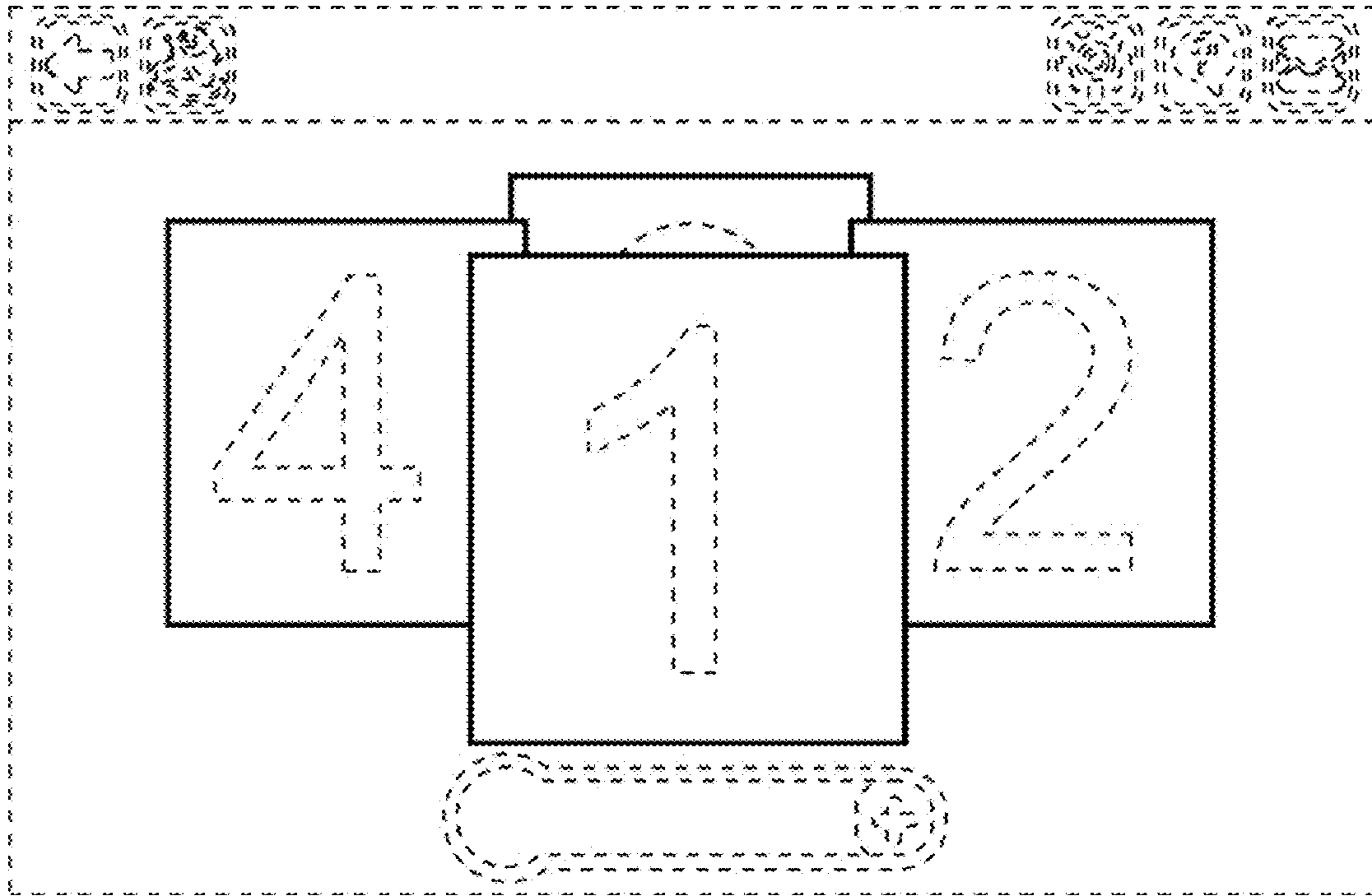


FIG. 13

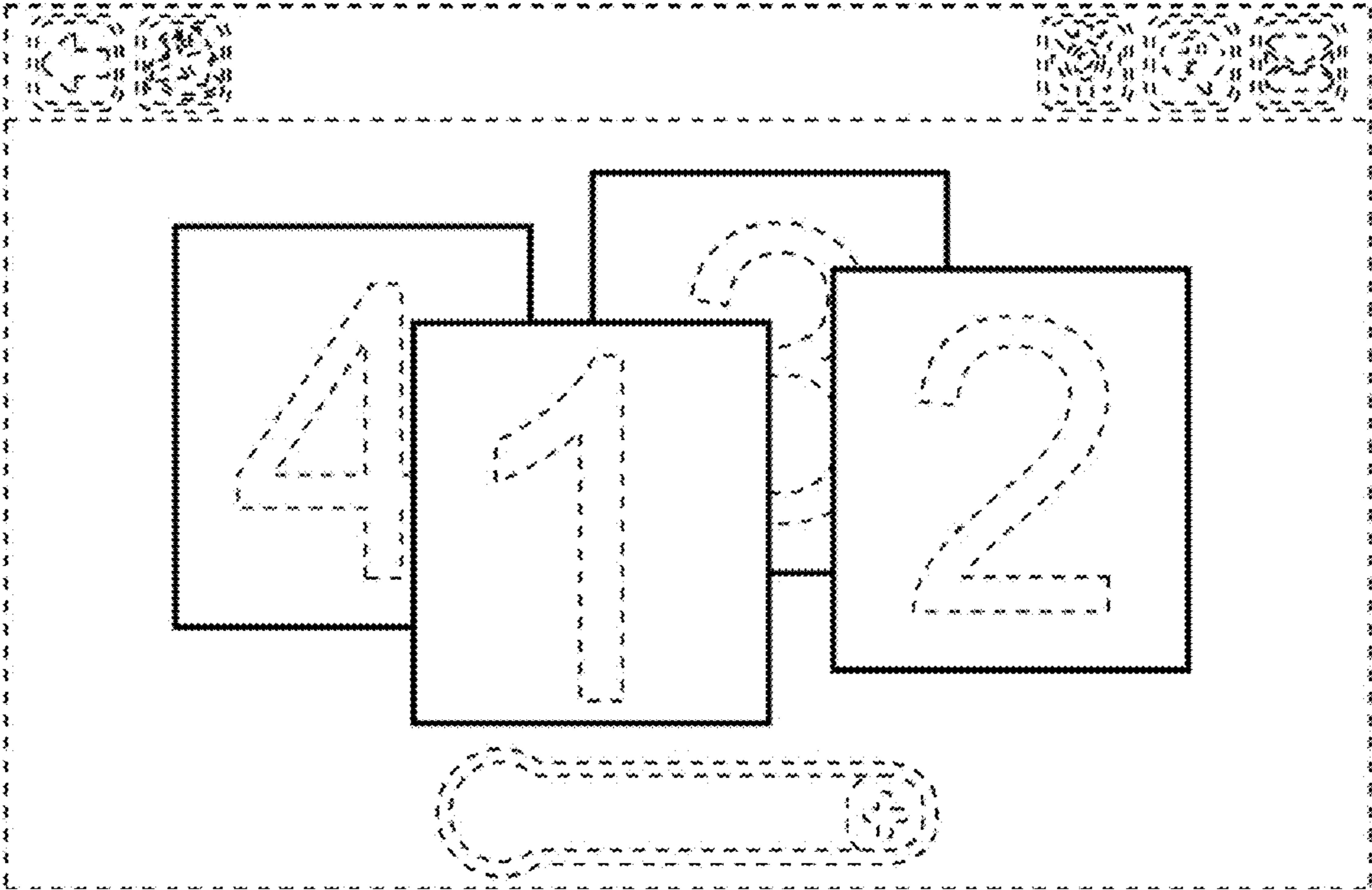


FIG. 14

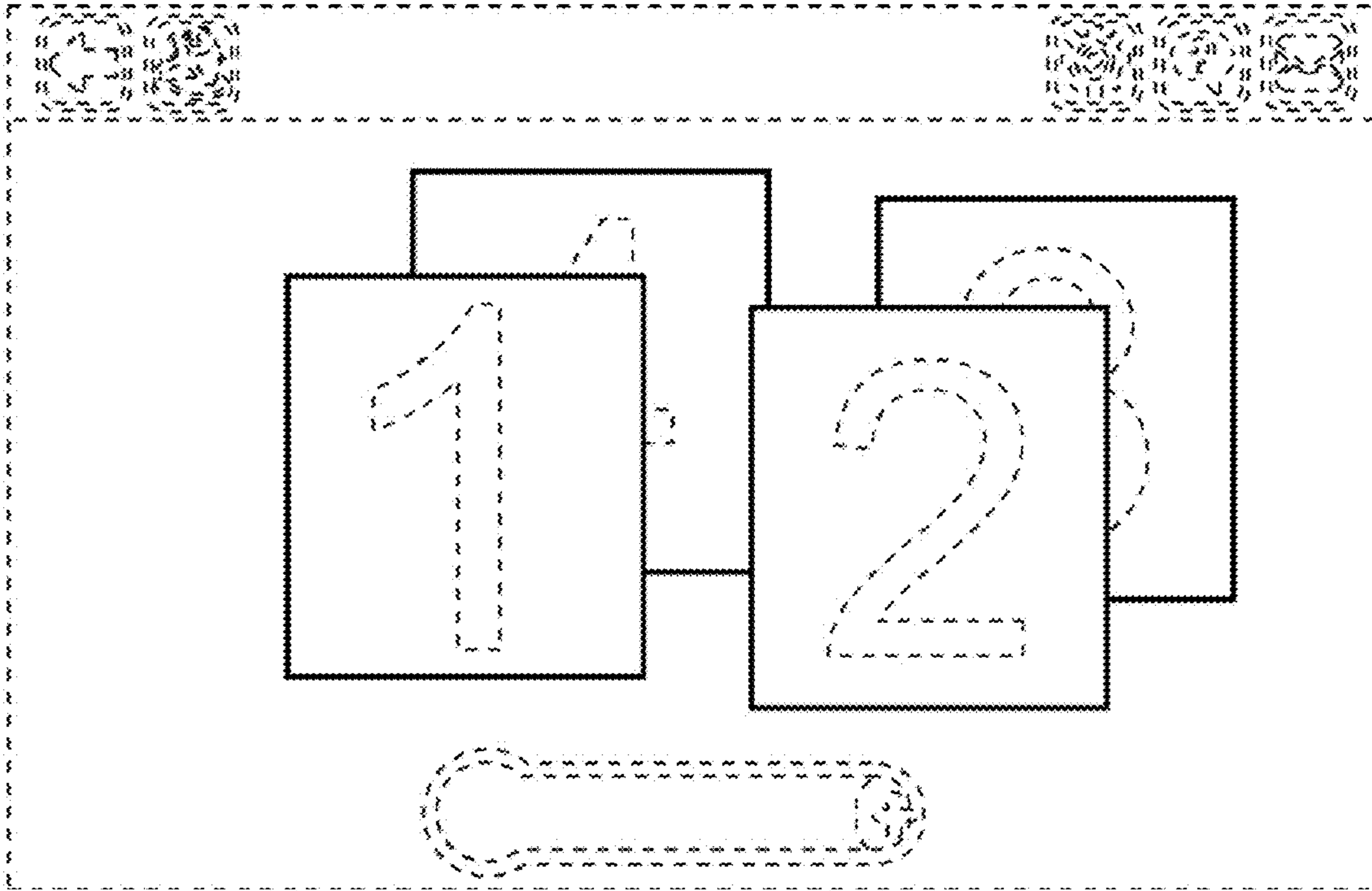


FIG. 15

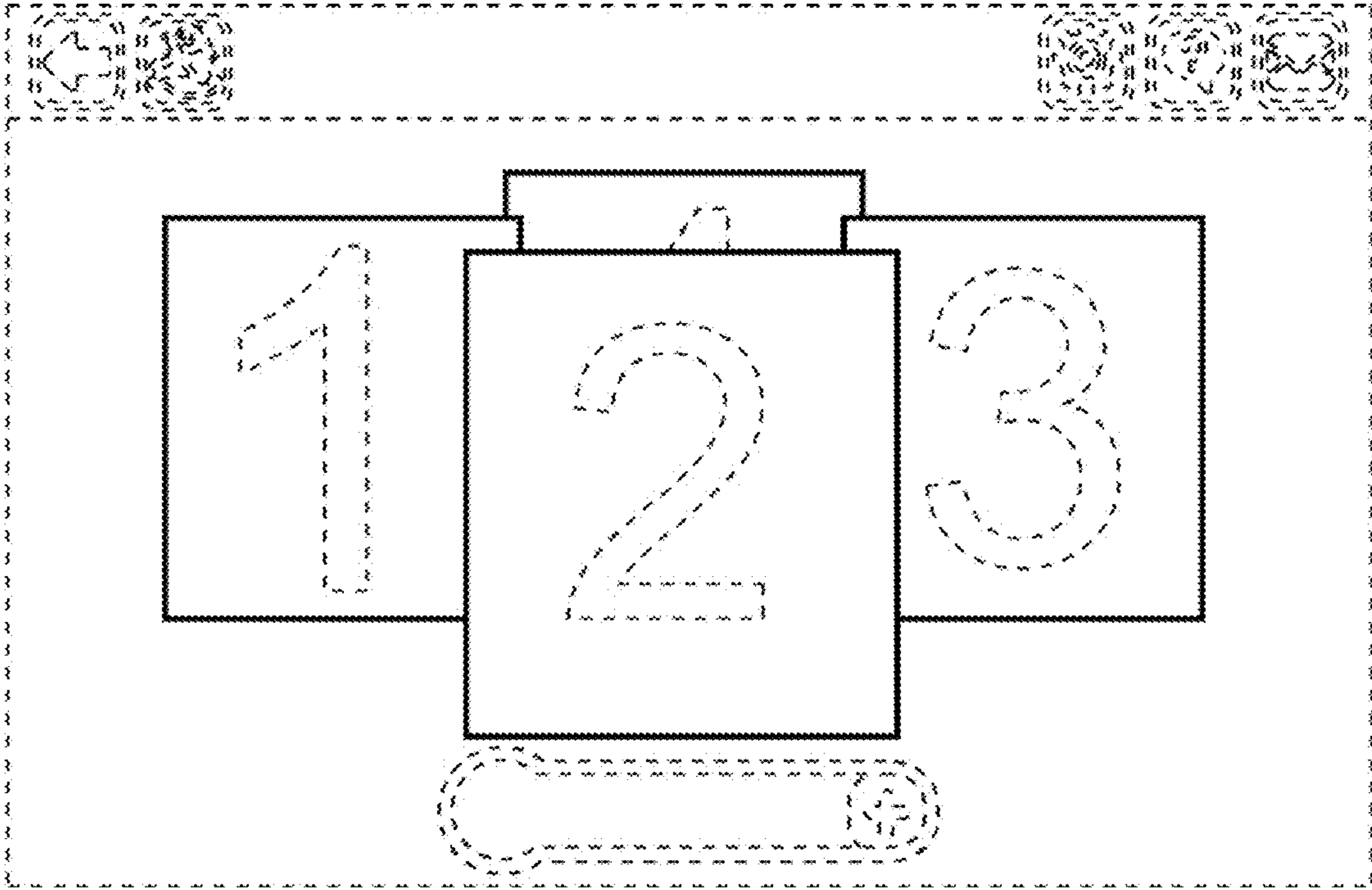


FIG. 16