

US00D760764S

(12) **United States Design Patent**
Hwang et al.

(10) **Patent No.:** **US D760,764 S**
(45) **Date of Patent:** **** Jul. 5, 2016**

(54) **DISPLAY SCREEN OR PORTION THEREOF WITH GRAPHICAL USER INTERFACE**

(71) Applicant: **Samsung Electronics Co., Ltd.**,
Suwon-si (KR)

(72) Inventors: **Ho-Ik Hwang**, Hwaseong-si (KR);
Dae-Hong Ki, Suwon-si (KR); **Jun-Ho Choi**, Seoul (KR)

(73) Assignee: **SAMSUNG ELECTRONICS CO., LTD.**,
Suwon-Si (KR)

(**) Term: **14 Years**

(21) Appl. No.: **29/513,736**

(22) Filed: **Jan. 5, 2015**

(30) **Foreign Application Priority Data**

Aug. 28, 2014 (KR) 30-2014-0041988

(51) **LOC (10) Cl.** **14-04**

(52) **U.S. Cl.**
USPC **D14/487**

(58) **Field of Classification Search**
USPC D14/341, 486, 487, 488, 489, 491, 492,
D14/493; 715/702, 764, 769, 771, 778, 810,
715/838; 345/173, 419; 348/E5.024, 207.1
CPC G06F 1/16; G06F 1/1613; G06F 1/32;
G06F 3/041; G06F 3/0416; G06F 3/048;
G06F 3/0482; G06T 15/00; H05K 7/00;
H04N 1/00161; H04N 5/225
See application file for complete search history.

(56) **References Cited**

U.S. PATENT DOCUMENTS

D623,195 S * 9/2010 La D14/488
D664,563 S * 7/2012 Phelan D14/492
D678,307 S * 3/2013 Kanalakis, Jr. D14/486
D679,723 S * 4/2013 Tanghe D14/487
D688,692 S 8/2013 Tanghe

D703,227 S * 4/2014 Abratowski D14/489
D726,765 S * 4/2015 Dye D14/492
D727,965 S * 4/2015 Kwon D14/492
D740,322 S * 10/2015 Dye D14/492
D745,004 S * 12/2015 Kim D14/341

(Continued)

FOREIGN PATENT DOCUMENTS

EM 002297861-0008 10/2013

OTHER PUBLICATIONS

V., John, "Samsung Galaxy S II Skyrocket Review", posted at phonearena.com, Nov. 11, 2011, [site visited Feb. 5, 2016]. Available from Internet: <http://www.phonearena.com/reviews/Samsung-Galaxy-S-II-Skyrocket-Review_id2891/page/3>.*

(Continued)

Primary Examiner — Karen E Kearney

Assistant Examiner — John M Otte

(74) *Attorney, Agent, or Firm* — McAndrews Held & Malloy, Ltd.

(57) **CLAIM**

The ornamental design for a display screen or portion thereof with graphical user interface, as shown and described.

DESCRIPTION

FIG. 1 is a front perspective view of a display screen or portion thereof with graphical user interface showing our new design;

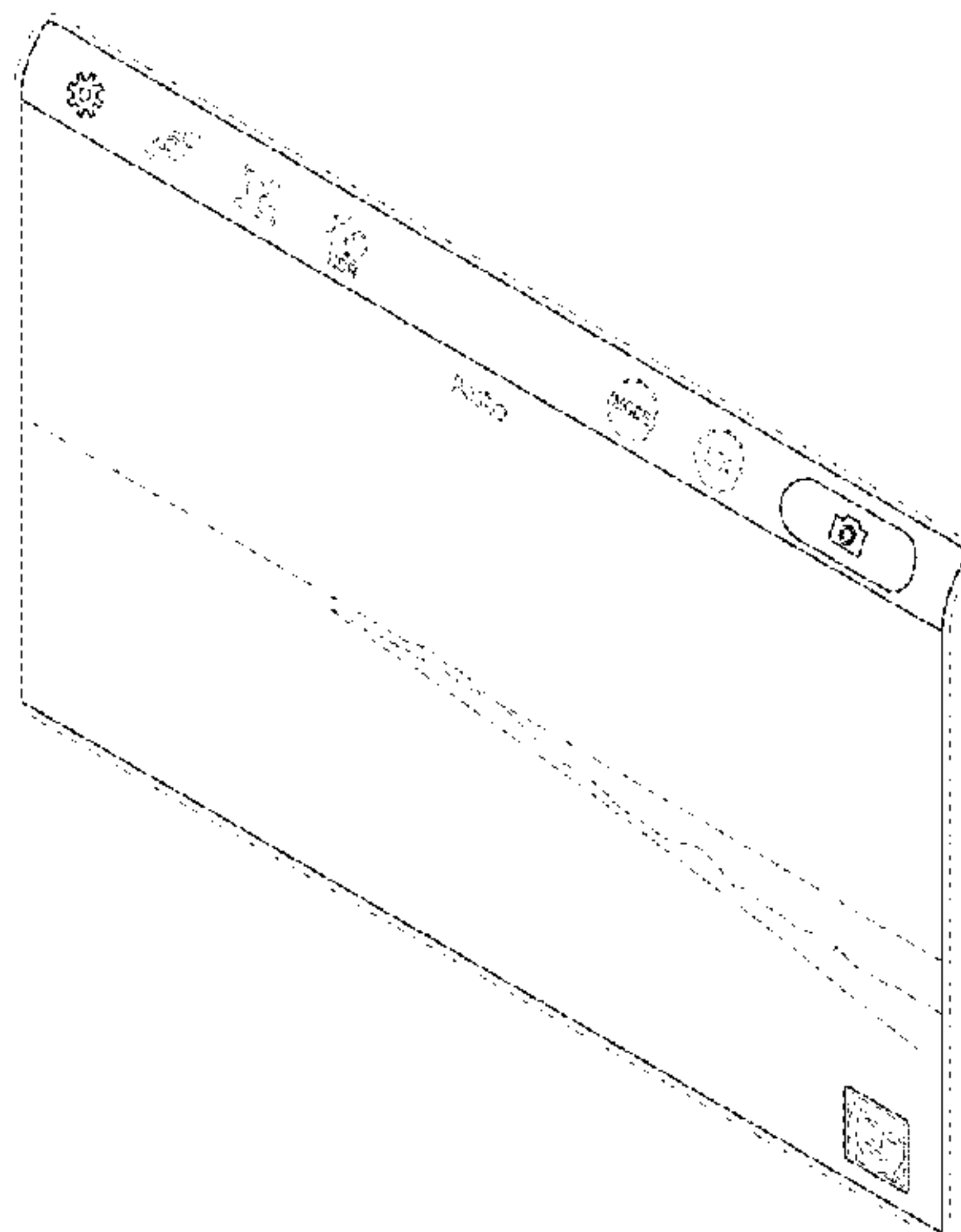
FIG. 2 is a front view thereof;

FIG. 3 is a top view thereof; and,

FIG. 4 is a front perspective view thereof, showing additional unclaimed environment.

The dashed broken lines showing portions of the display screen or portion thereof with graphical user interface are for environmental purposes only and form no part of the claimed design.

1 Claim, 3 Drawing Sheets



(56)

References Cited

U.S. PATENT DOCUMENTS

2009/0228820 A1* 9/2009 Kim G06F 3/04817
715/769
2009/0265628 A1* 10/2009 Bamford G06F 3/0482
715/702
2013/0055160 A1* 2/2013 Yamada G06F 3/04883
715/810
2014/0333550 A1* 11/2014 Yang G06F 1/3259
345/173

OTHER PUBLICATIONS

Martonik, Andrew, “Kyocera Torque review”, posted at androidcentral.com, Apr. 7, 2013, [site visited Feb. 5, 2016]. Avail-

able from Internet: <<http://www.androidcentral.com/kyocera-torque-review>>.*

“30 interesting small icon—PSD material”, posted at myfreephotoshop.com, Jun. 11, 2013, [site visited Feb. 5, 2016]. Available from Internet: <<http://www.myfreephotoshop.com/tag/confirm>>.*

Haselton, Todd, “iPhone 6 Concept Video Shows off Full Wrap-Around Display”, posted at technobuffalo.com, Apr. 19, 2013, [site visited Jan. 20, 2016]. Available from Internet: <<http://www.technobuffalo.com/2013/04/19/iphone-6-concept-video>>.*

“Android 4.0 Ice Cream Sandwich Is Here—A Rundown of the Major Features it has to Offer” <http://www.technorms.com/6933/android-4-ice-cream-sandwich-major-feature> (Last accessed May 12, 2015).

* cited by examiner

FIG. 1

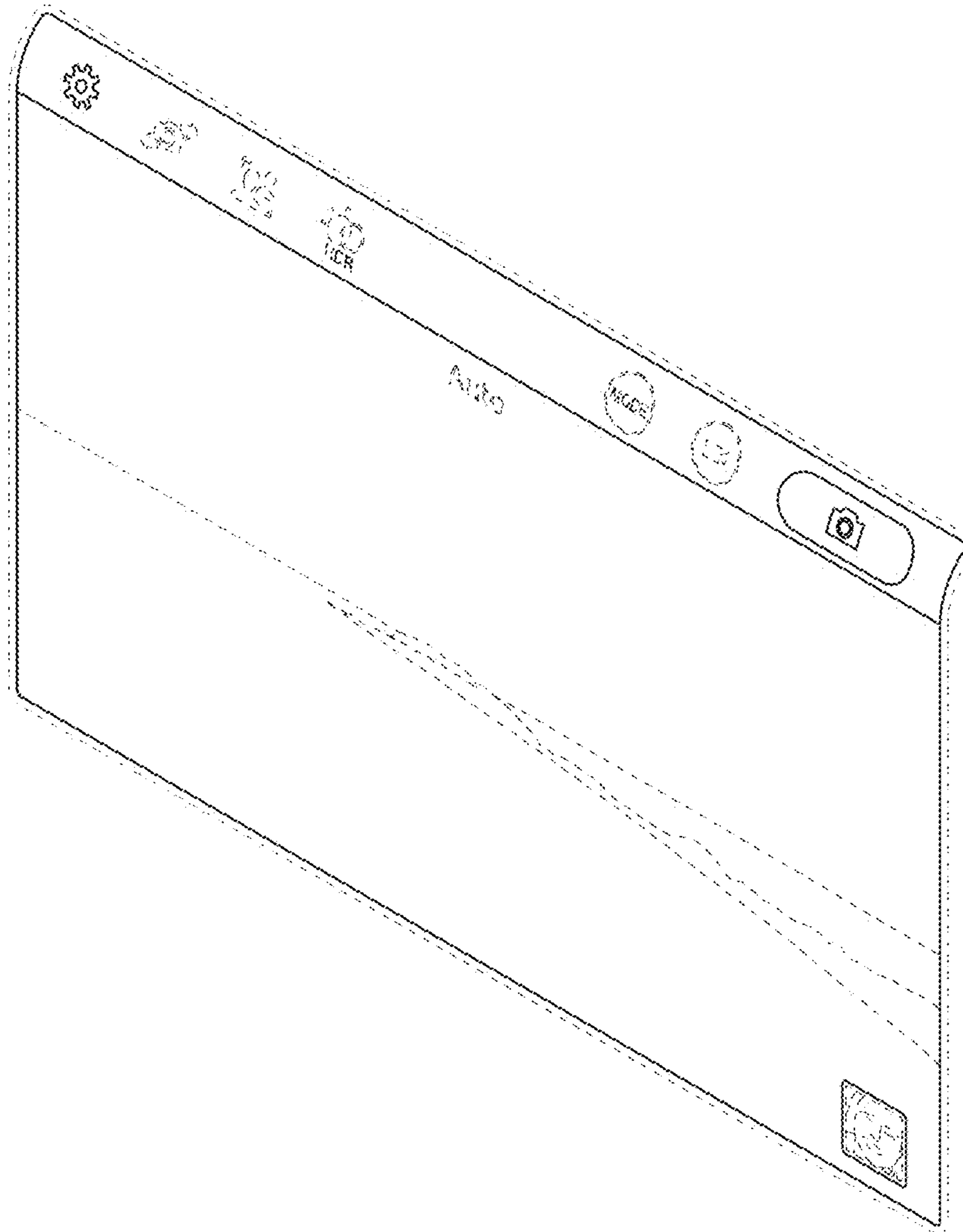


FIG. 2

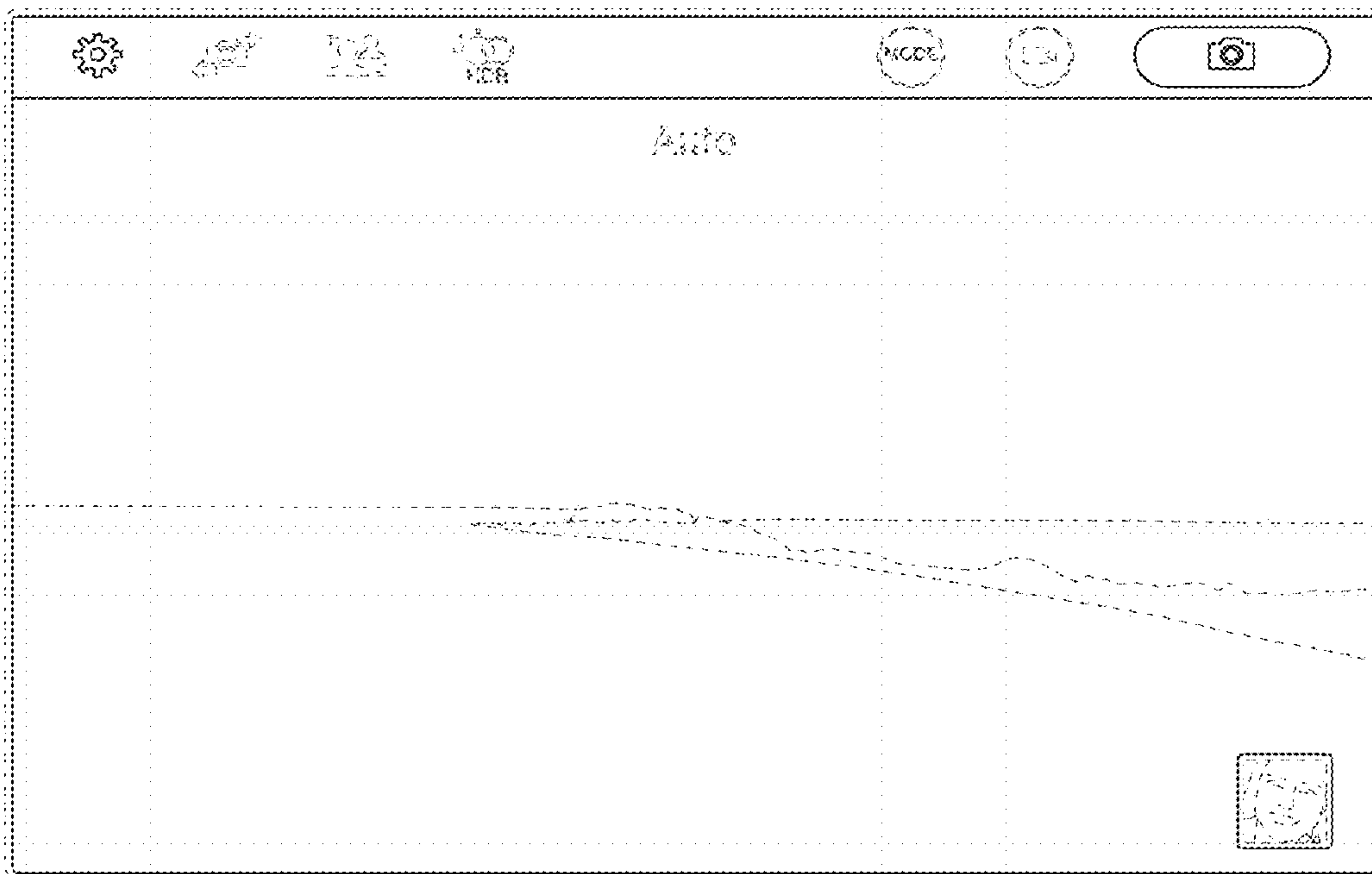


FIG. 3



FIG.4

