

US00D760737S

(12) **United States Design Patent**
Yoon et al.

(10) **Patent No.:** **US D760,737 S**
(45) **Date of Patent:** **** Jul. 5, 2016**

(54) **DISPLAY SCREEN OR PORTION THEREOF WITH GRAPHICAL USER INTERFACE**

(71) Applicant: **Samsung Electronics Co., Ltd.**,
Suwon-si (KR)
(72) Inventors: **Jiyoon Yoon**, Seoul (KR); **Tae Hyoung Cho**, Seoul (KR); **Jae Jeong Kim**, Seoul (KR); **Young Sun Shin**, Seoul (KR); **So Young Yun**, Seoul (KR); **Yu Kyung Lee**, Seoul (KR); **Hye Jung Chang**, Seoul (KR); **Ji Hyun Jeon**, Suwon-si (KR); **Ye Kyung Yoo**, Seoul (KR); **Kyounge Ae Lim**, Seoul (KR)

(73) Assignee: **Samsung Electronics Co., Ltd.**,
Suwon-si (KR)

(**) Term: **14 Years**

(21) Appl. No.: **29/495,453**

(22) Filed: **Jul. 1, 2014**

(30) **Foreign Application Priority Data**

Jan. 3, 2014 (KR) 30-2014-000509

(51) **LOC (10) Cl.** **14-04**

(52) **U.S. Cl.**
USPC **D14/485**

(58) **Field of Classification Search**
USPC D14/485-495
CPC ... G06F 3/048; G06F 3/0481; G06F 3/04817;
G06F 3/0482

See application file for complete search history.

(56) **References Cited**

U.S. PATENT DOCUMENTS

D459,361 S * 6/2002 Inagaki D14/486
D522,523 S * 6/2006 Parta D14/486
D580,942 S * 11/2008 Oshiro D14/485

D593,577 S * 6/2009 Baurmann D14/487
D615,549 S * 5/2010 Caine D14/486
D618,698 S * 6/2010 Kang D14/486
D619,596 S * 7/2010 Maitlen D14/485
7,757,207 B2 * 7/2010 Yan G06F 8/34
703/13
D627,365 S * 11/2010 Brinda D14/488
D638,852 S * 5/2011 Skidmore D14/488
D648,735 S * 11/2011 Arnold D14/486
D659,158 S * 5/2012 Clymer D14/488
D667,020 S * 9/2012 MacKenzie D14/486
D672,363 S * 12/2012 Reyna D14/486
D672,364 S * 12/2012 Reyna D14/486
D682,296 S * 5/2013 DiJulio D14/487
D682,297 S * 5/2013 DiJulio D14/487
D682,301 S * 5/2013 DiJulio D14/487
D682,303 S * 5/2013 DiJulio D14/487
D685,817 S * 7/2013 Kunieda D14/487
D692,444 S * 10/2013 Lee D14/486
D696,265 S * 12/2013 d'Amore D14/485
D698,796 S * 2/2014 Evans D14/485
D701,227 S * 3/2014 Lee D14/486
8,666,523 B2 * 3/2014 Kim G05B 15/02
700/17
D702,698 S * 4/2014 d'Amore D14/485
D716,828 S * 11/2014 Kim D14/486
D718,324 S * 11/2014 Lee D14/486
D722,069 S * 2/2015 Lee D14/485
D722,612 S * 2/2015 Lee D14/486

(Continued)

Primary Examiner — Kevin Rudzinski

(74) *Attorney, Agent, or Firm* — NSIP Law

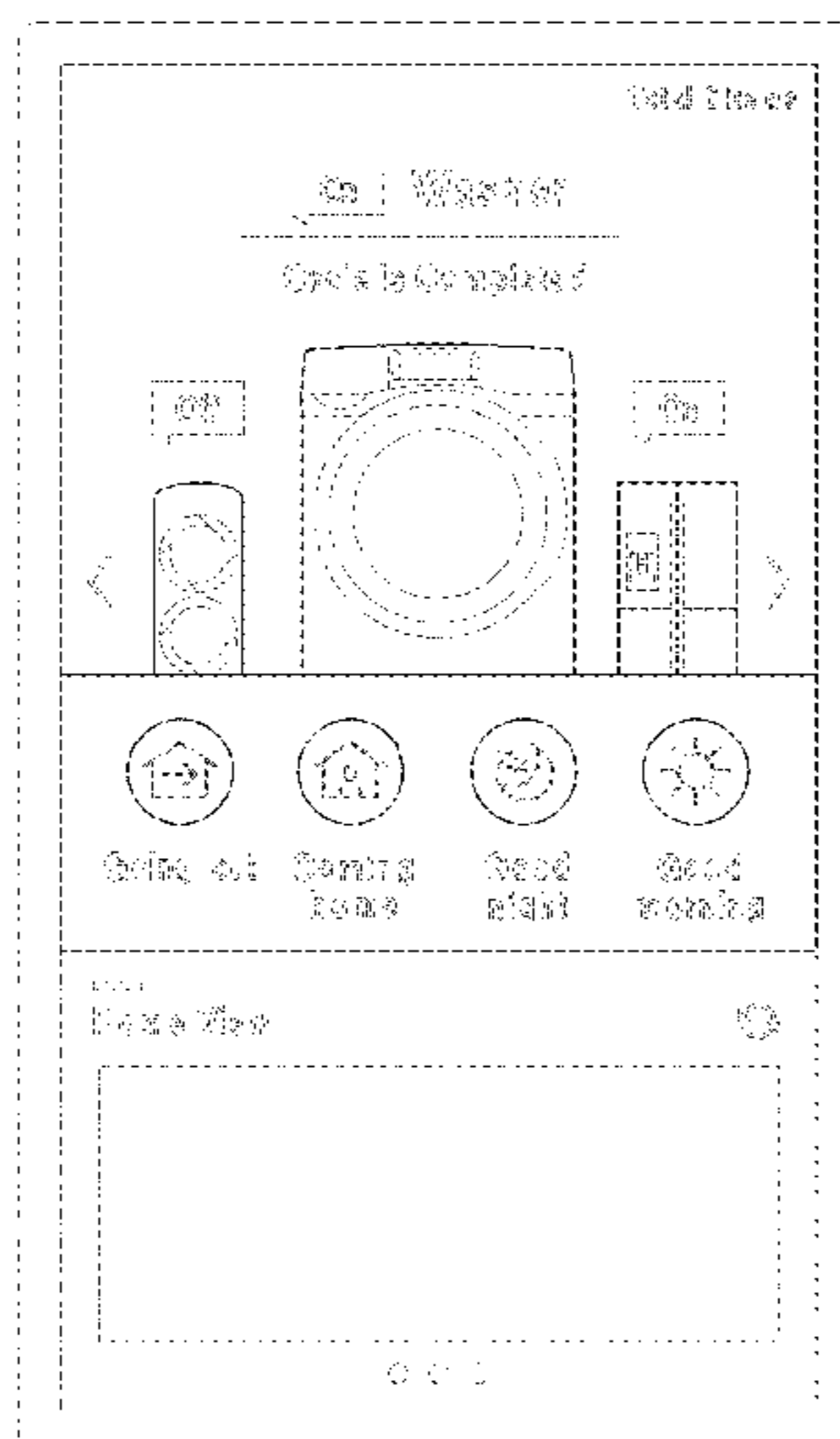
(57) **CLAIM**

We claim the ornamental design for a display screen or portion thereof with graphical user interface, as shown and described.

DESCRIPTION

The sole FIGURE is a front view of a display screen or portion thereof with graphical user interface showing our new design. The broken lines in the figure show portions of the display screen or portion thereof with graphical user interface which form no part of the claimed design.

1 Claim, 1 Drawing Sheet



(56)

References Cited

U.S. PATENT DOCUMENTS

D723,054 S * 2/2015 Nagaoka D14/486
 D725,673 S * 3/2015 Nagaoka D14/489
 D730,928 S * 6/2015 Lee D14/486
 D735,737 S * 8/2015 Lee D14/486
 D737,279 S * 8/2015 Taniuchi D14/485
 D737,283 S * 8/2015 Scalisi D14/485
 D738,897 S * 9/2015 Soegiono D14/486
 D740,839 S * 10/2015 BianRosa D14/486
 D741,895 S * 10/2015 Nguyen D14/487
 D742,392 S * 11/2015 Cho D14/485
 D744,517 S * 12/2015 Pal D14/486
 D745,032 S * 12/2015 Pal D14/486
 D745,034 S * 12/2015 Pal D14/486
 D745,052 S * 12/2015 Um D14/487
 D746,863 S * 1/2016 Yun D14/492

D749,097 S * 2/2016 Zou D14/485
 2004/0008229 A1 * 1/2004 Hultcrantz H04N 5/445
 715/810
 2008/0066016 A1 * 3/2008 Dowdy G06F 17/30775
 715/854
 2008/0263452 A1 * 10/2008 Tomkins G06F 3/0485
 715/730
 2010/0023865 A1 * 1/2010 Fulker G06F 3/04817
 715/734
 2011/0055718 A1 * 3/2011 Tanaka G06F 17/30011
 715/747
 2014/0380234 A1 * 12/2014 Shim G06F 3/0482
 715/781
 2015/0033136 A1 * 1/2015 Sasaki G06F 3/04817
 715/736
 2015/0153929 A1 * 6/2015 Bernstein G06F 3/0481
 715/781

* cited by examiner

