



US00D760727S

(12) **United States Design Patent**  
**Aoshima et al.**

(10) **Patent No.:** **US D760,727 S**  
(45) **Date of Patent:** **\*\* Jul. 5, 2016**

(54) **DISPLAY SCREEN FOR ELECTRONIC  
DEVICE WITH TAKING LENS**

(71) Applicant: **FUJIFILM Corporation**, Minato-ku,  
Tokyo (JP)

(72) Inventors: **Yuzo Aoshima**, Minato-ku (JP);  
**Tomokazu Nakamura**, Saitama (JP)

(73) Assignee: **FUJIFILM Corporation**, Tokyo (JP)

(\*\*) Term: **14 Years**

(21) Appl. No.: **29/456,244**

(22) Filed: **May 29, 2013**

(30) **Foreign Application Priority Data**

Nov. 30, 2012 (JP) ..... 2012-029477

(51) **LOC (10) Cl.** ..... **14-04**

(52) **U.S. Cl.**  
USPC ..... **D14/485**  
CPC ..... **G06F 3/04817** (2013.01)

(58) **Field of Classification Search**  
USPC ..... D14/485-495; 715/700-867, 973-977  
CPC ..... G06F 3/0481-3/0486  
See application file for complete search history.

(56) **References Cited**

**U.S. PATENT DOCUMENTS**

D609,714 S *	2/2010	Oda	.....	D14/485
D622,729 S *	8/2010	Oda	.....	D14/485
D633,509 S *	3/2011	Oda	.....	D14/485
D659,152 S *	5/2012	Oda	.....	D14/485
D675,241 S *	1/2013	Oda	.....	D14/486
D681,652 S *	5/2013	Oda	.....	D14/485
D682,848 S *	5/2013	Aoshima	.....	D14/485
D682,849 S *	5/2013	Aoshima	.....	D14/485
D684,162 S *	6/2013	Aoshima	.....	D14/485
D700,193 S *	2/2014	Oda	.....	D14/485
D714,813 S *	10/2014	Oda	.....	D14/485

D715,828 S *	10/2014	Aoshima	.....	D14/488
D715,829 S *	10/2014	Aoshima	.....	D14/488
D715,830 S *	10/2014	Aoshima	.....	D14/488
D726,742 S *	4/2015	Aoshima	.....	D14/486
D731,539 S *	6/2015	Omata	.....	D14/489
D731,543 S *	6/2015	Aoshima	.....	D14/489
D737,288 S *	8/2015	Oda	.....	D14/485

\* cited by examiner

*Primary Examiner* — Richard E Chilcot

(74) *Attorney, Agent, or Firm* — Sughrue Mion, PLLC

(57) **CLAIM**

The ornamental design for a display screen for electronic device with taking lens, as shown and described.

**DESCRIPTION**

FIG. 1 is a top, rear and left side perspective view of a digital camera having a display screen;  
 FIG. 2 is a front elevational view thereof;  
 FIG. 3 is a rear plan view thereof;  
 FIG. 4 is a top plan view thereof;  
 FIG. 5 is a bottom plan view thereof;  
 FIG. 6 is a left side elevational view thereof;  
 FIG. 7 is a right side elevational view thereof;  
 FIG. 8 is an enlarged view of the display screen of the embodiment, in which a taking lens is in an out-of-focus state;  
 FIG. 9 is an enlarged view of the display screen of the embodiment, in which the taking lens is in an in-focus state, and a borderline between sub-areas is invisible;  
 FIG. 10 is an enlarged view of the display screen of the embodiment in use, in which the taking lens is in an out-of-focus state; and,  
 FIG. 11 is an enlarged view of the display screen of the embodiment in use, in which the taking lens is in an in-focus state.

The portions of the display screen for electronic device with taking lens in broken lines are shown for illustrative purposes only and form no part of the claimed design.

**1 Claim, 6 Drawing Sheets**

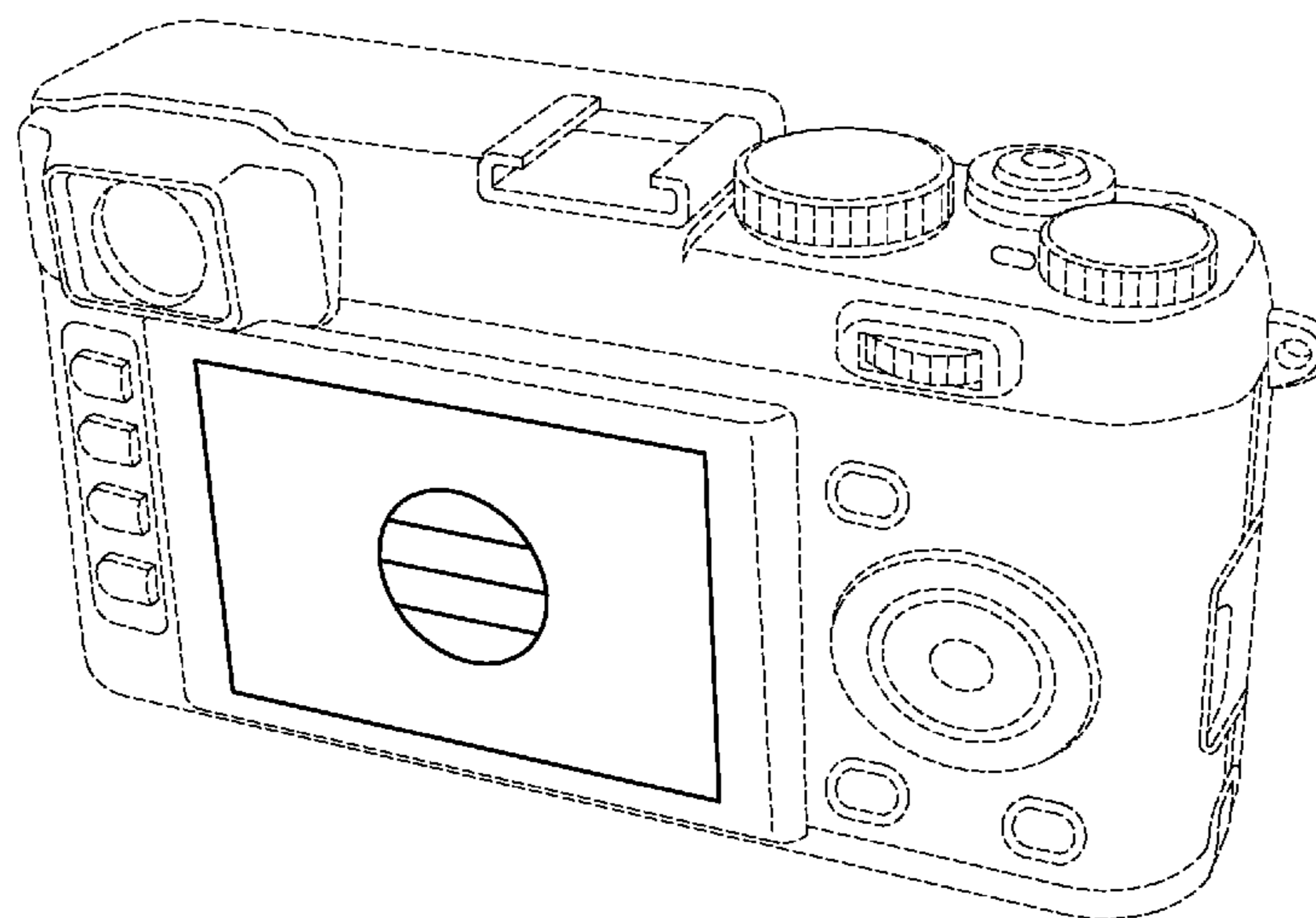


FIG. 1

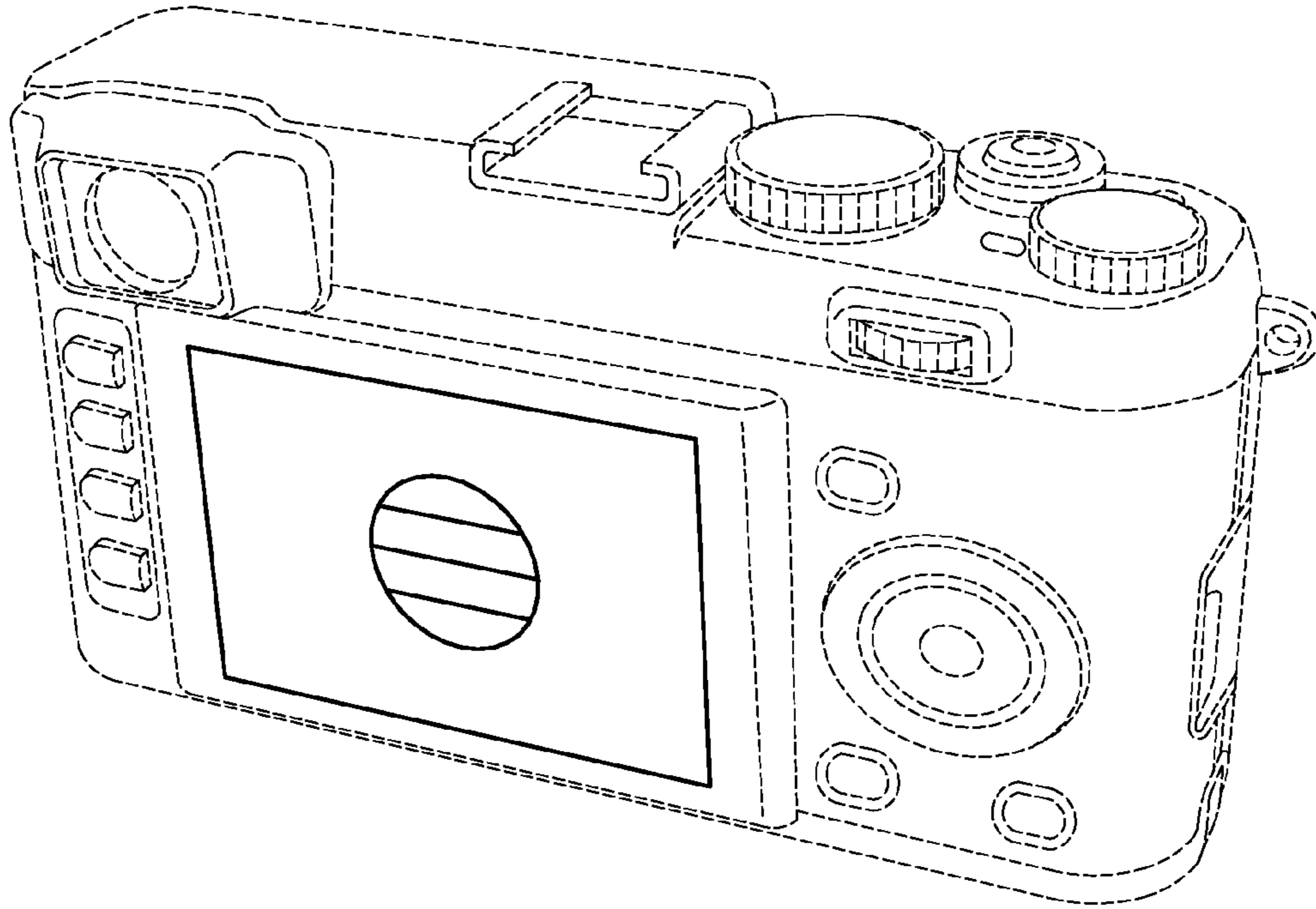


FIG. 2

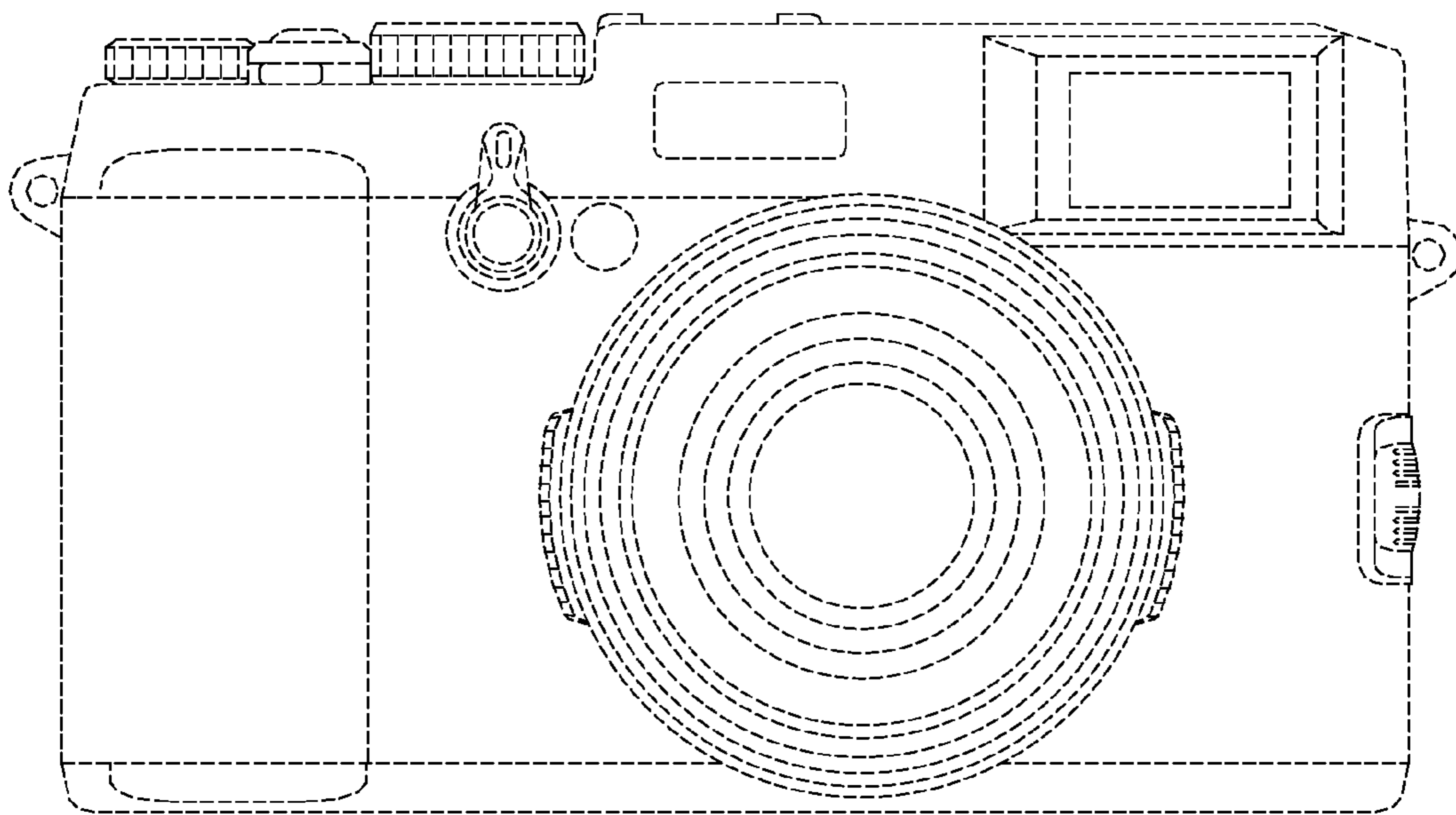


FIG. 3

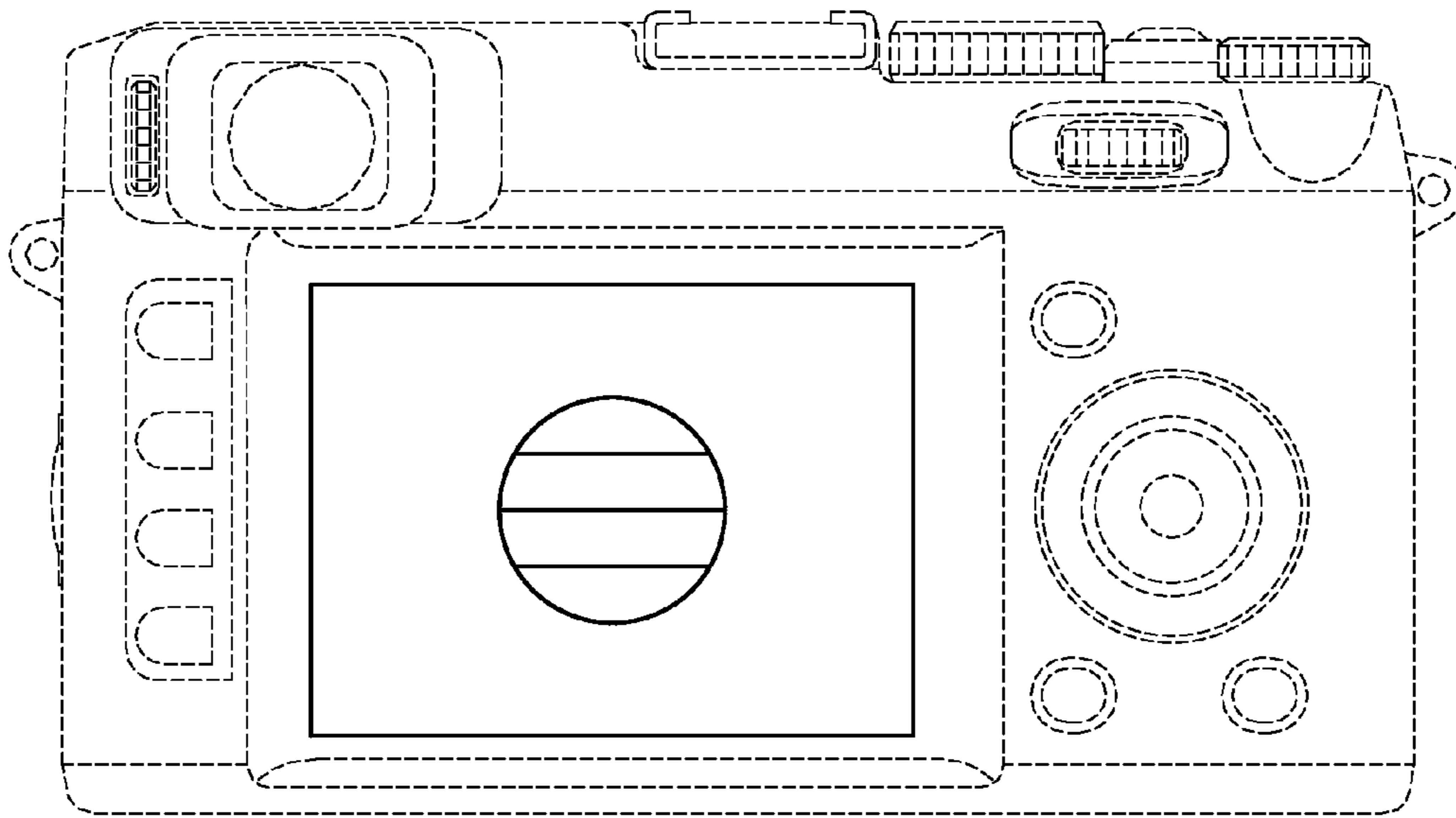


FIG. 4

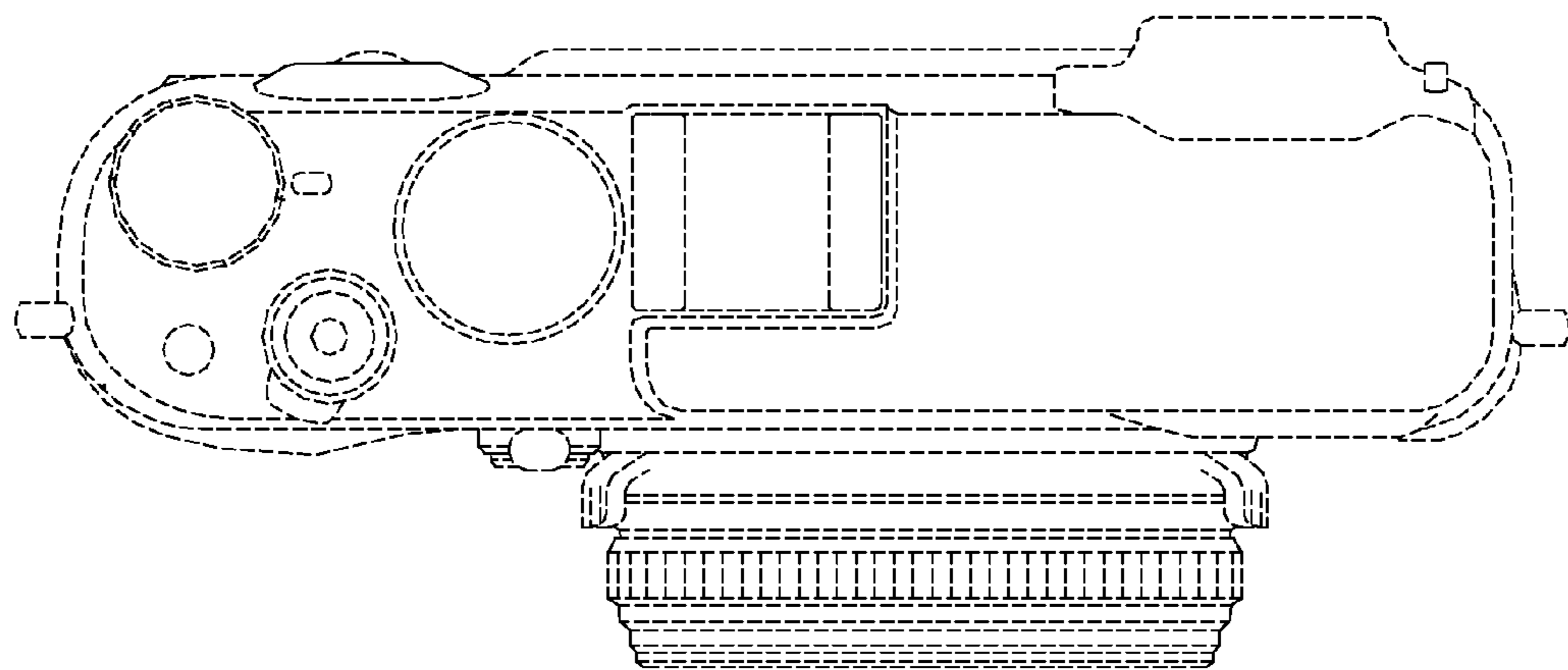


FIG. 5

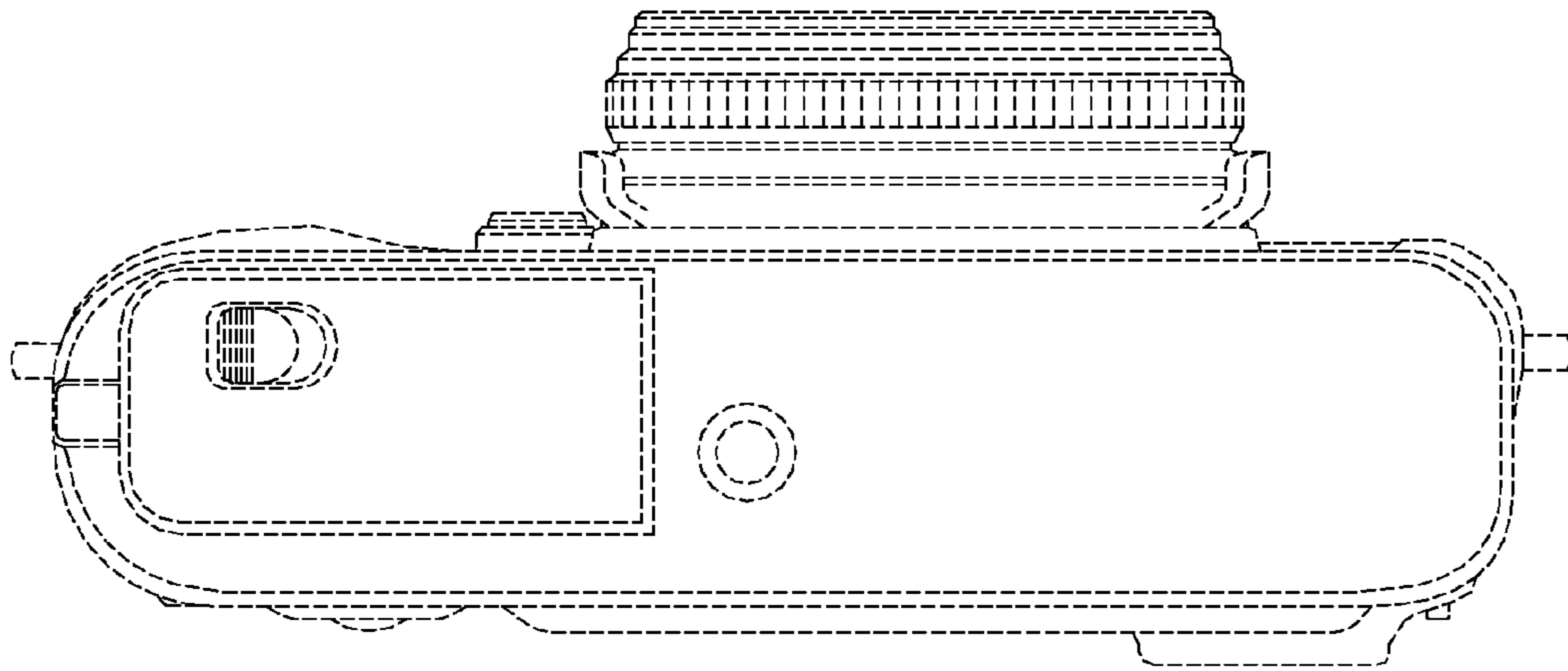


FIG. 6

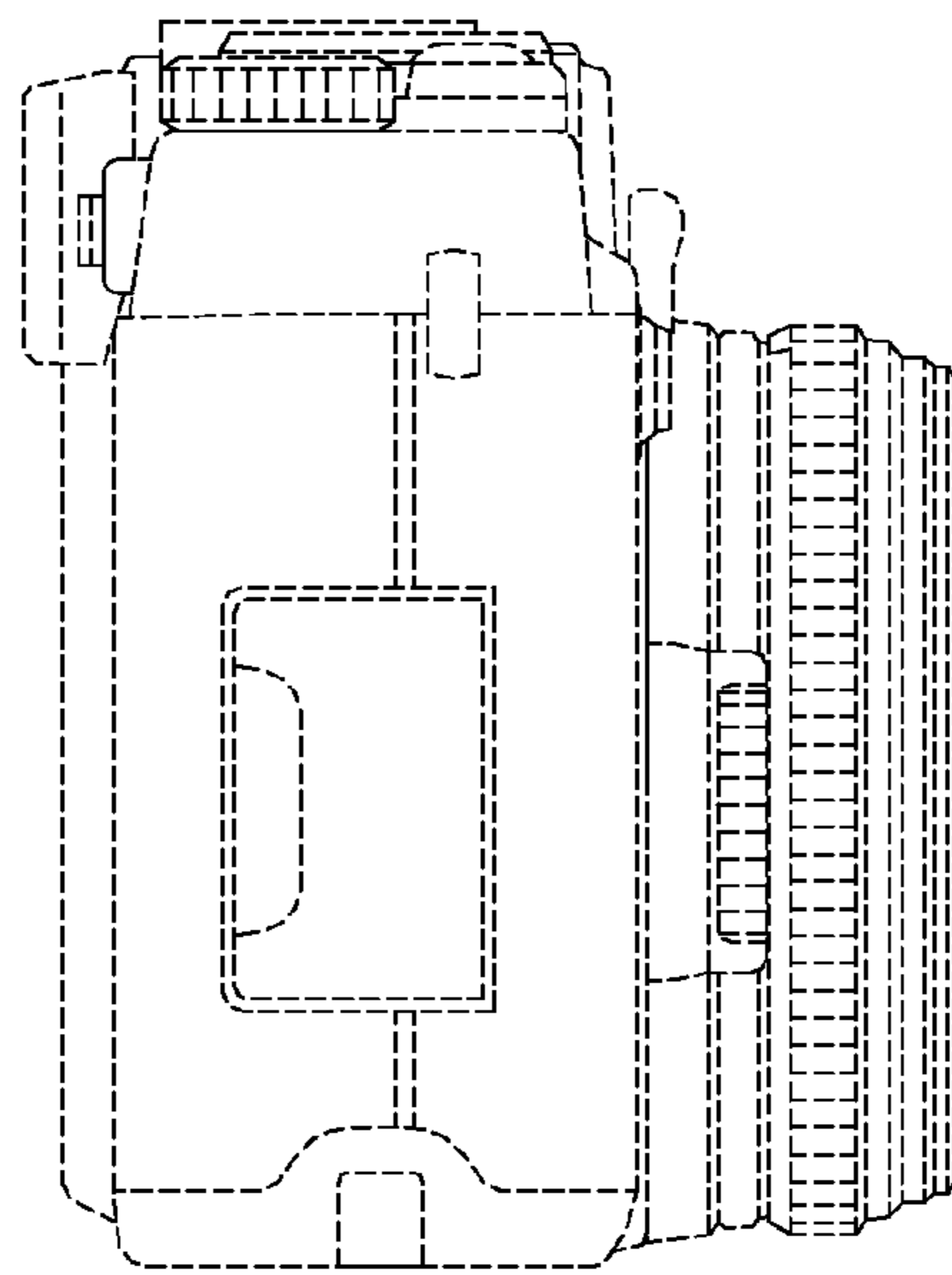


FIG. 7

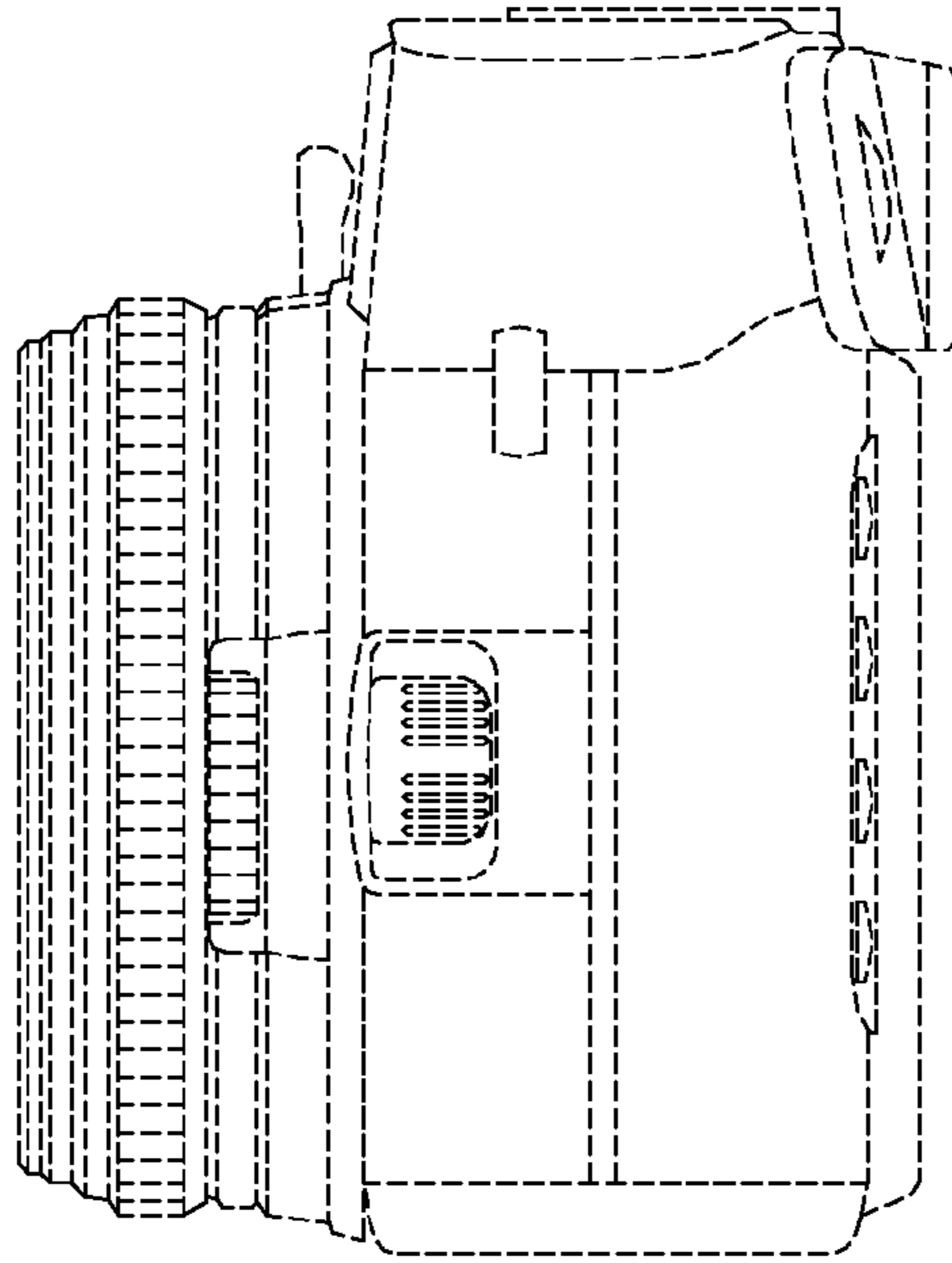
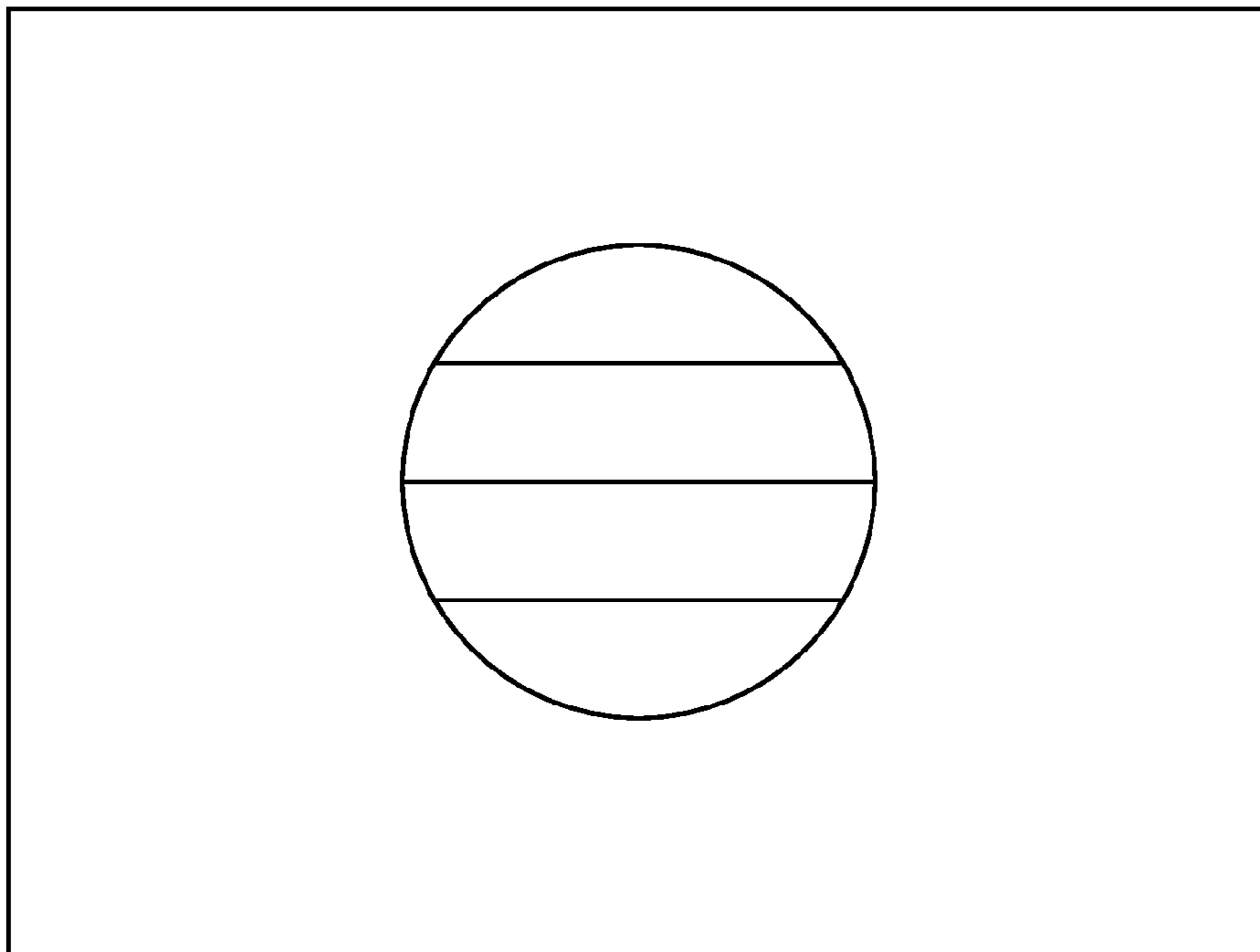
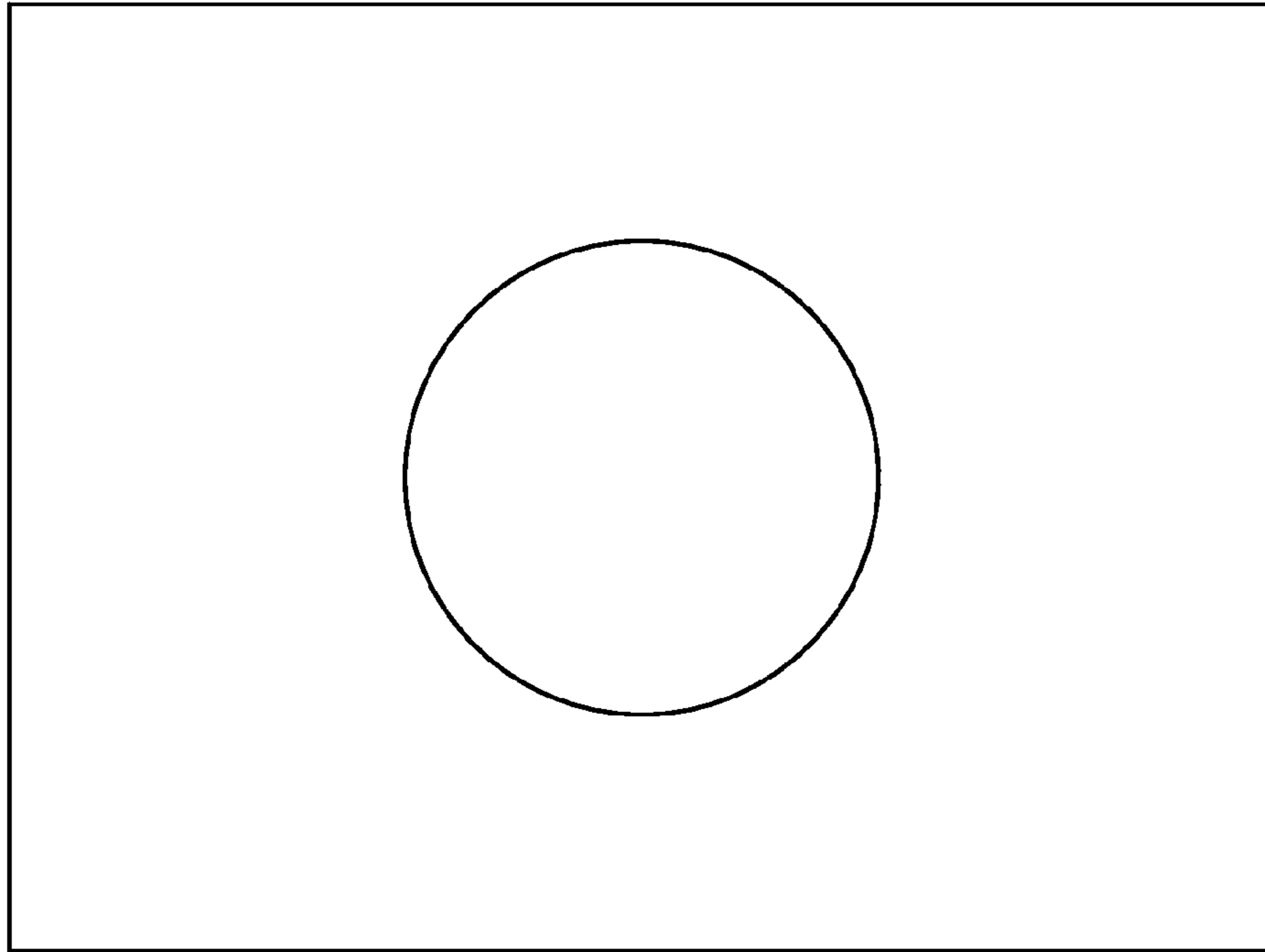


FIG. 8



F I G . 9



F I G . 1 0

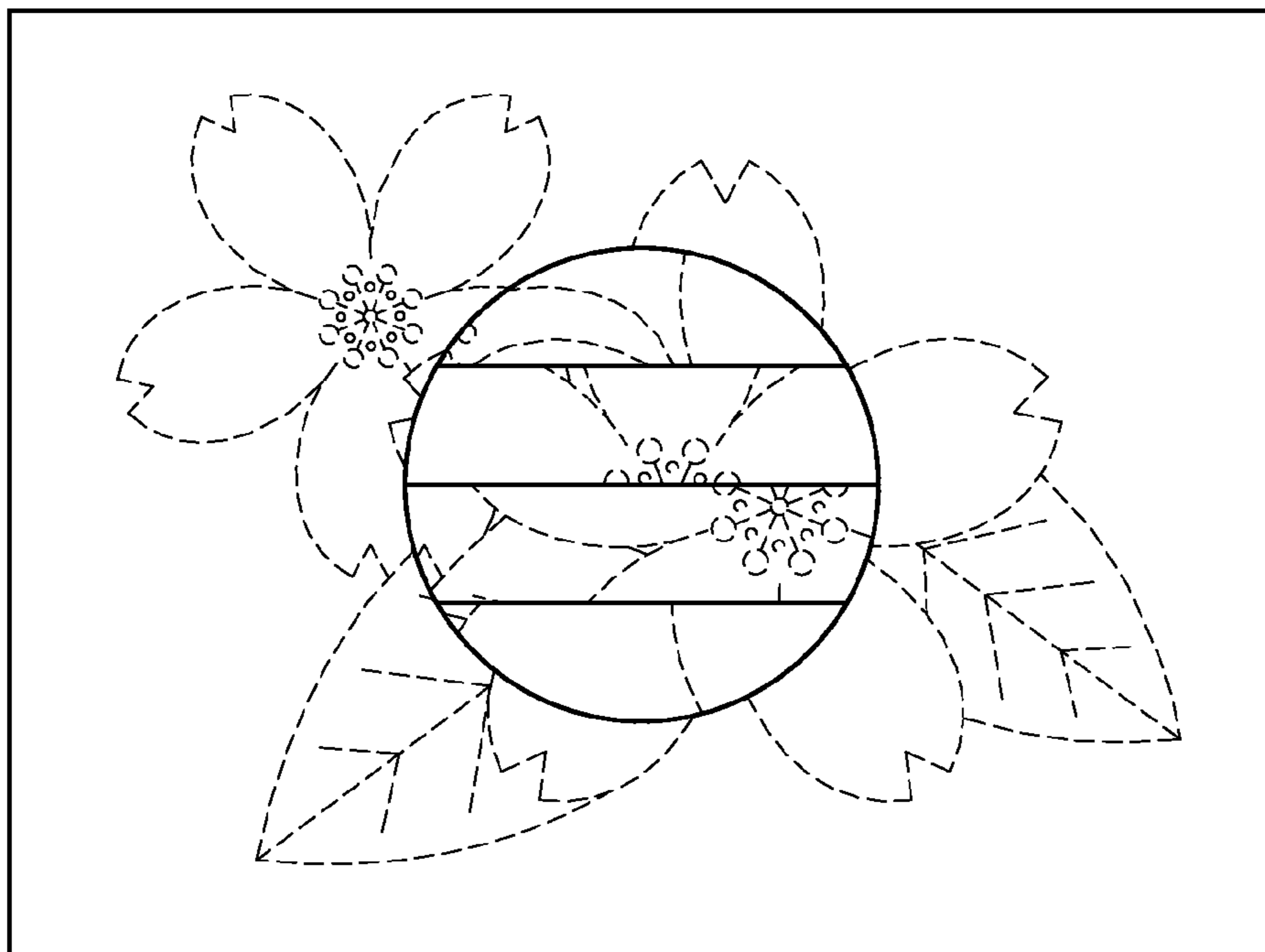


FIG. 11

