



US00D760726S

(12) **United States Design Patent**  
**Wang et al.**

(10) **Patent No.:** **US D760,726 S**  
(45) **Date of Patent:** **\*\* Jul. 5, 2016**

(54) **PAIR OF DISPLAY SCREENS WITH ANIMATED GRAPHICAL USER INTERFACE**

*Primary Examiner* — Mary Ann Calabrese  
(74) *Attorney, Agent, or Firm* — Design IP

(71) Applicant: **Tencent Technology (Shenzhen) Company Limited**, Shenzhen, Guangdong (CN)

(72) Inventors: **Qian Wang**, Shenzhen (CN); **Wei Wang**, Shenzhen (CN)

(73) Assignee: **Tencent Technology (Shenzhen) Company Limited** (CN)

(\*\*) Term: **14 Years**

(21) Appl. No.: **29/454,933**

(22) Filed: **May 15, 2013**

(51) **LOC (10) Cl.** ..... **14-04**

(52) **U.S. Cl.**  
USPC ..... **D14/485**

(58) **Field of Classification Search**  
USPC ..... D14/485–495; D18/24–33; D20/11, 12, D20/18, 22–28, 40  
CPC ... G06F 3/0481; G06F 3/0482; G06F 3/0483; G06F 3/04812; G06F 3/0486; G06F 3/04815; G06F 3/04817; G06F 3/04845; G06F 3/04855; G06F 3/04886; G06F 3/048; G06F 3/14; G06F 3/1415; G06F 3/141446; G06F 3/1423; G06F 3/147; G06F 3/0488; G06F 1/1647; A63F 13/00

See application file for complete search history.

(56) **References Cited**

**U.S. PATENT DOCUMENTS**

5,923,307 A \* 7/1999 Hogle, IV ..... 345/4  
D662,942 S \* 7/2012 Trabona et al. .... D14/488

(Continued)

**OTHER PUBLICATIONS**

Parallel Transition—Animation Basics—pp. 2-3 Copyright © 2008, 2012, Oracle and/or its affiliates—retrieved from the internet on Sep. 17, 2015 <https://docs.oracle.com/javafx/2/animations/basics.htm>.\*

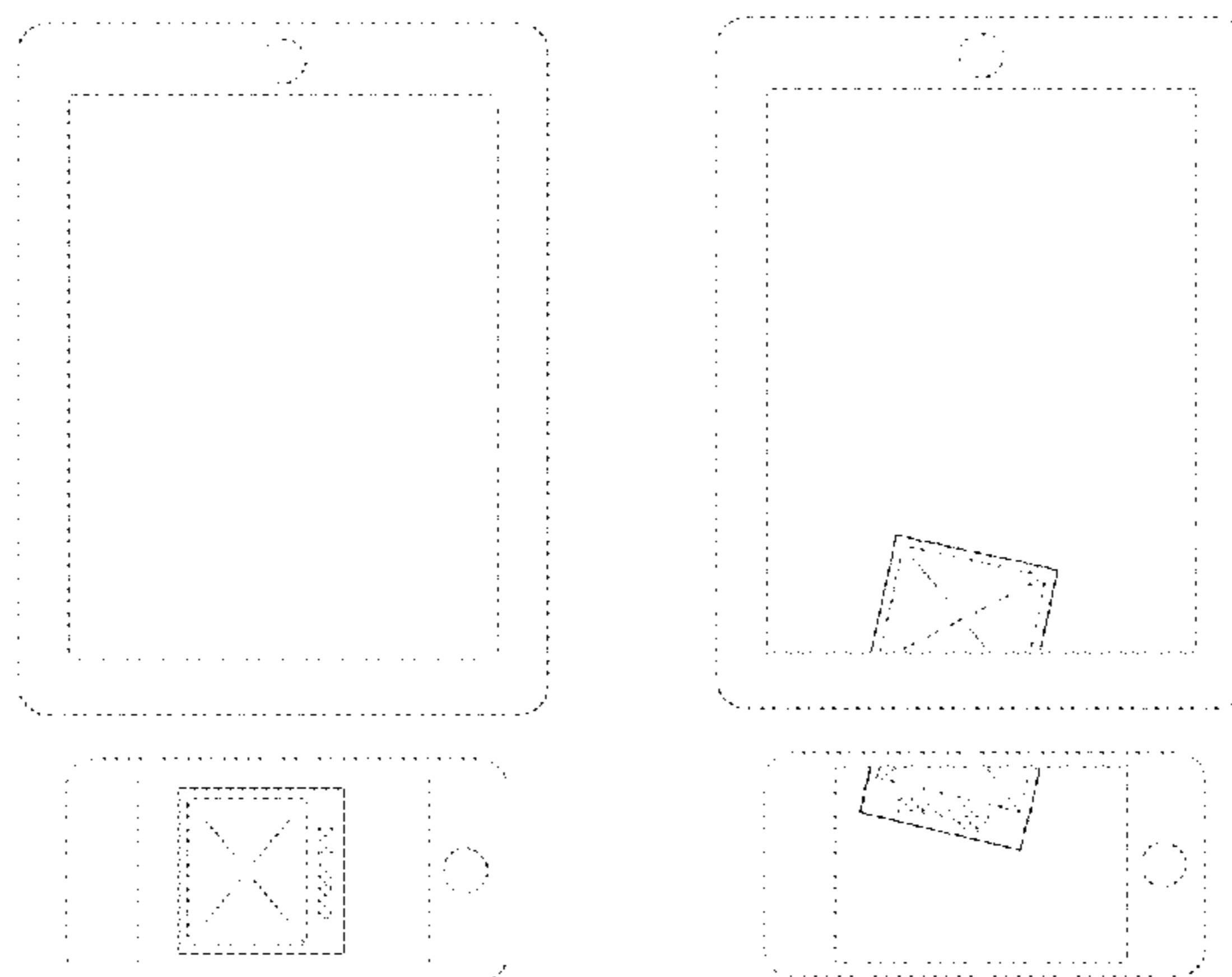
(57) **CLAIM**

The ornamental design for a pair of display screens with animated graphical user interface, as shown and described.

**DESCRIPTION**

FIG. 1 is a front view of a first image of a first embodiment of a pair of display screens with animated graphical user interface showing our new design;  
FIG. 2 is a front view of a second image thereof;  
FIG. 3 is a front view of a third image thereof;  
FIG. 4 is a front view of a fourth image thereof;  
FIG. 5 is a front view of a fifth image thereof;  
FIG. 6 is a front view of a sixth image thereof;  
FIG. 7 is a front view of a seventh image thereof;  
FIG. 8 is a front view of an eighth image thereof;  
FIG. 9 is a front view of a first image of a second embodiment of a pair of display screens with animated graphical user interface showing our new design;  
FIG. 10 is a front view of a second image thereof;  
FIG. 11 is a front view of a third image thereof;  
FIG. 12 is a front view of a fourth image thereof;  
FIG. 13 is a front view of a fifth image thereof;  
FIG. 14 is a front view of a sixth image thereof; and,  
FIG. 15 is a front view of a seventh image thereof.  
In the first embodiment, the appearance of the transitional image sequentially transitions between the images shown in FIGS. 1 through 8. In the second embodiment, the appearance of the transitional image sequentially transitions between the images shown in FIGS. 9 through 15. The process or period in which one image transitions to another image forms no part of the claimed design. The broken line showing of a portion of a display screen in FIGS. 1 through 15 forms no part of the claimed design. The broken line showing of text and portions of the graphical user interface in FIGS. 1 through 15 represents environmental subject matter and forms no part of the claimed design.

**1 Claim, 15 Drawing Sheets**



(56)

**References Cited**

U.S. PATENT DOCUMENTS

D664,561	S *	7/2012	Gleasant et al. ....	D14/488	2012/0218216	A1 *	8/2012	Tomimori .....	345/173
D699,744	S *	2/2014	Ho Kushner et al. ....	D14/488	2013/0246937	A1 *	9/2013	Park .....	715/751
9,026,924	B2 *	5/2015	Maynard et al. ....	715/761	2013/0278484	A1 *	10/2013	Hwang et al. ....	345/2.3
2007/0178952	A1 *	8/2007	Ehara et al. ....	463/1	2013/0283193	A1 *	10/2013	Griffin .....	715/761
2010/0066643	A1 *	3/2010	King et al. ....	345/1.3	2014/0007015	A1 *	1/2014	Ekstrand .....	G06F 3/04817
2010/0313143	A1 *	12/2010	Jung .....	G06F 3/1446					715/836
2011/0231783	A1 *	9/2011	Nomura .....	715/761	2014/0145988	A1 *	5/2014	Ishizawa .....	G06F 3/1446
2011/0296329	A1 *	12/2011	Tanaka .....	715/769					345/173
2012/0081267	A1 *	4/2012	Sirpal et al. ....	345/1.1	2014/0223359	A1 *	8/2014	Yamada .....	G06F 3/0488
									715/798
					2014/0253441	A1 *	9/2014	Liang .....	G06F 3/0416
									345/157

\* cited by examiner

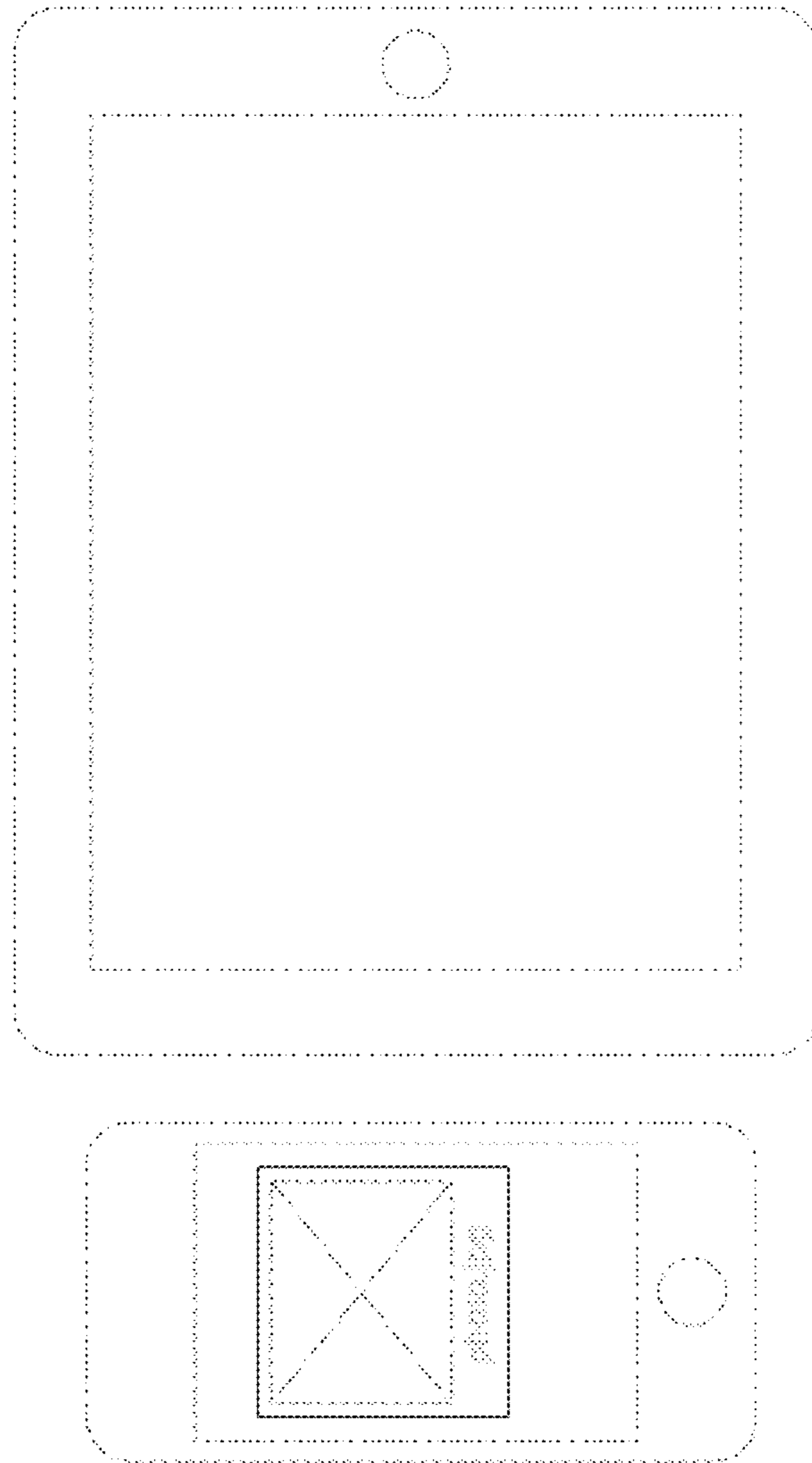


FIG. 1

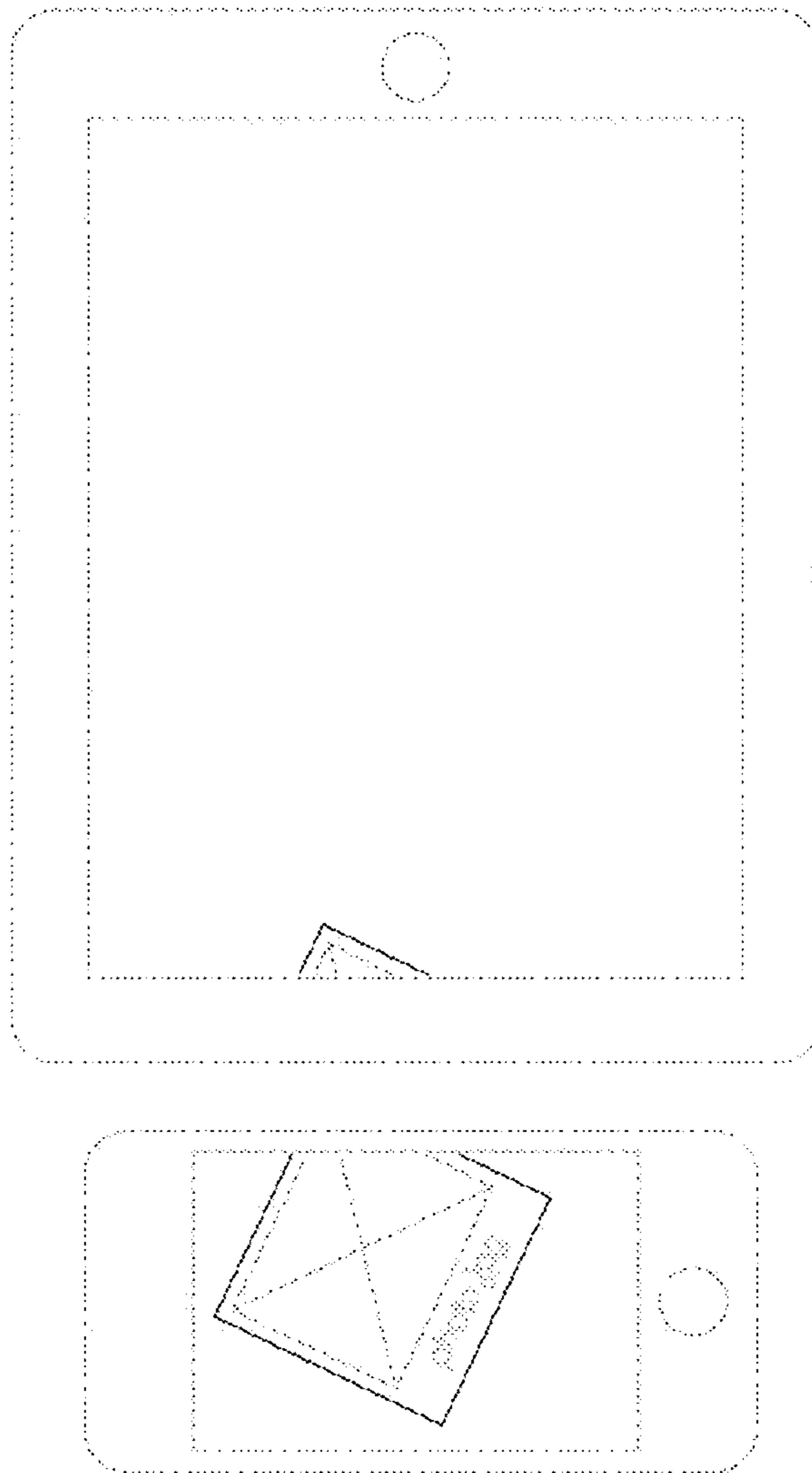


FIG. 2

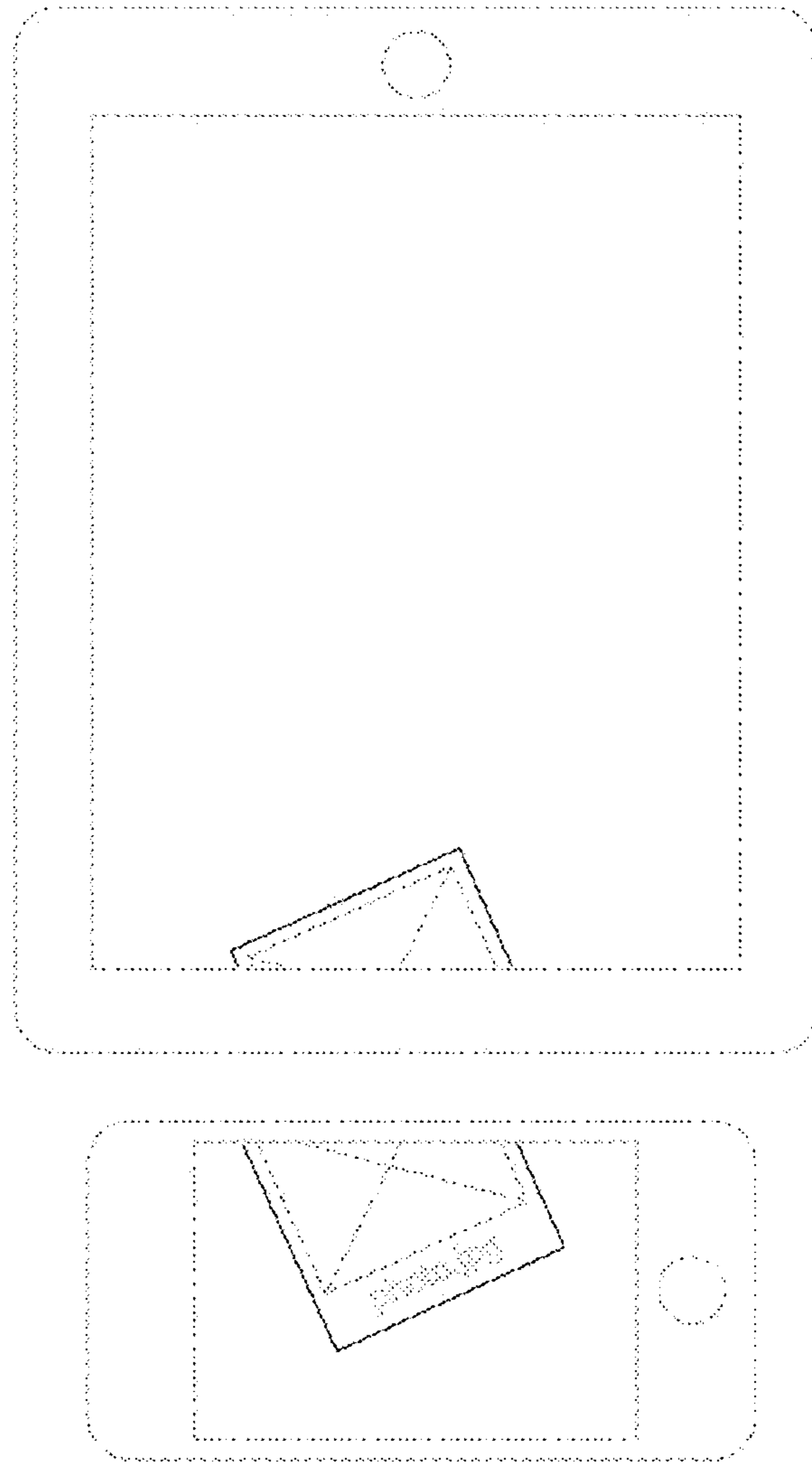


FIG. 3

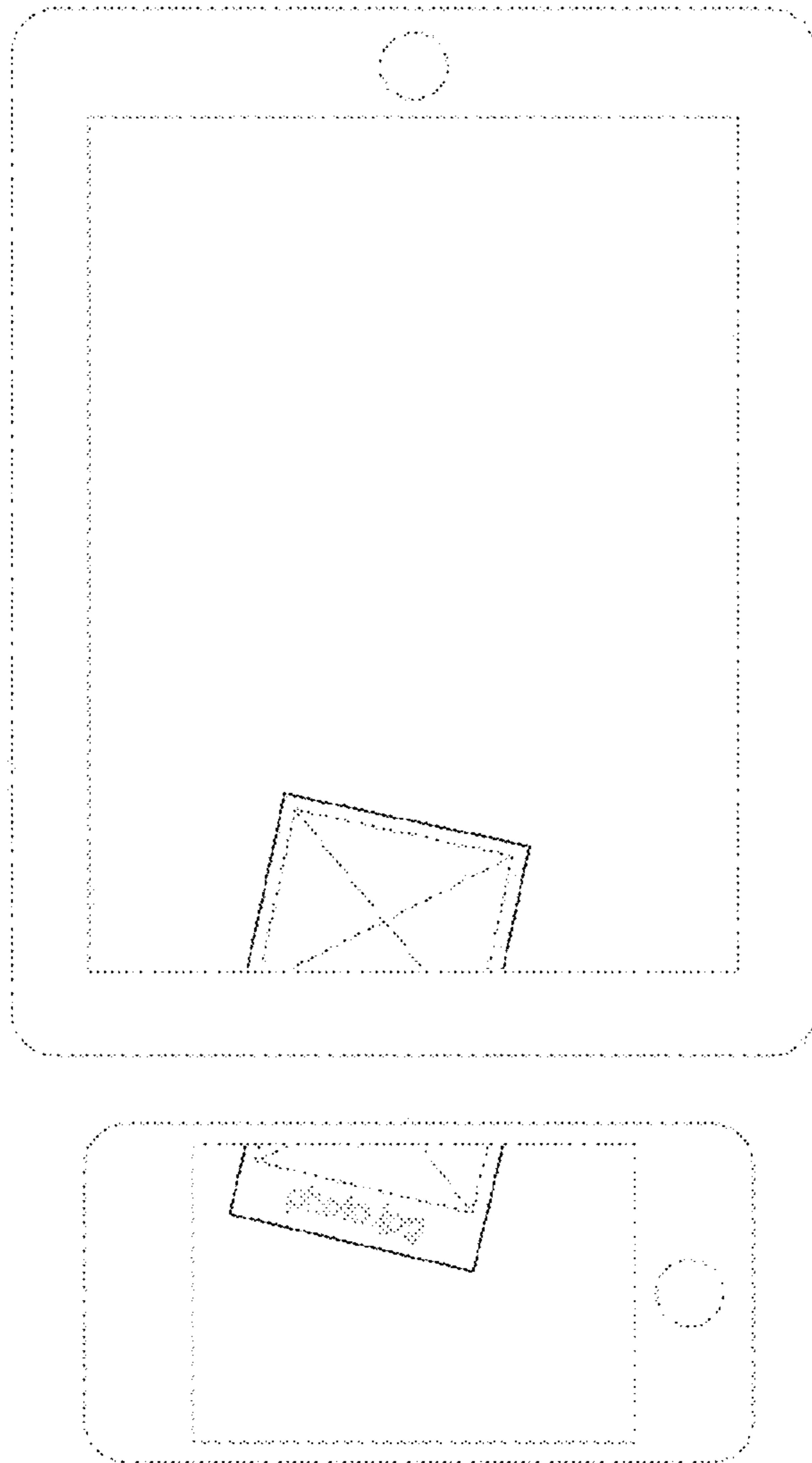


FIG. 4

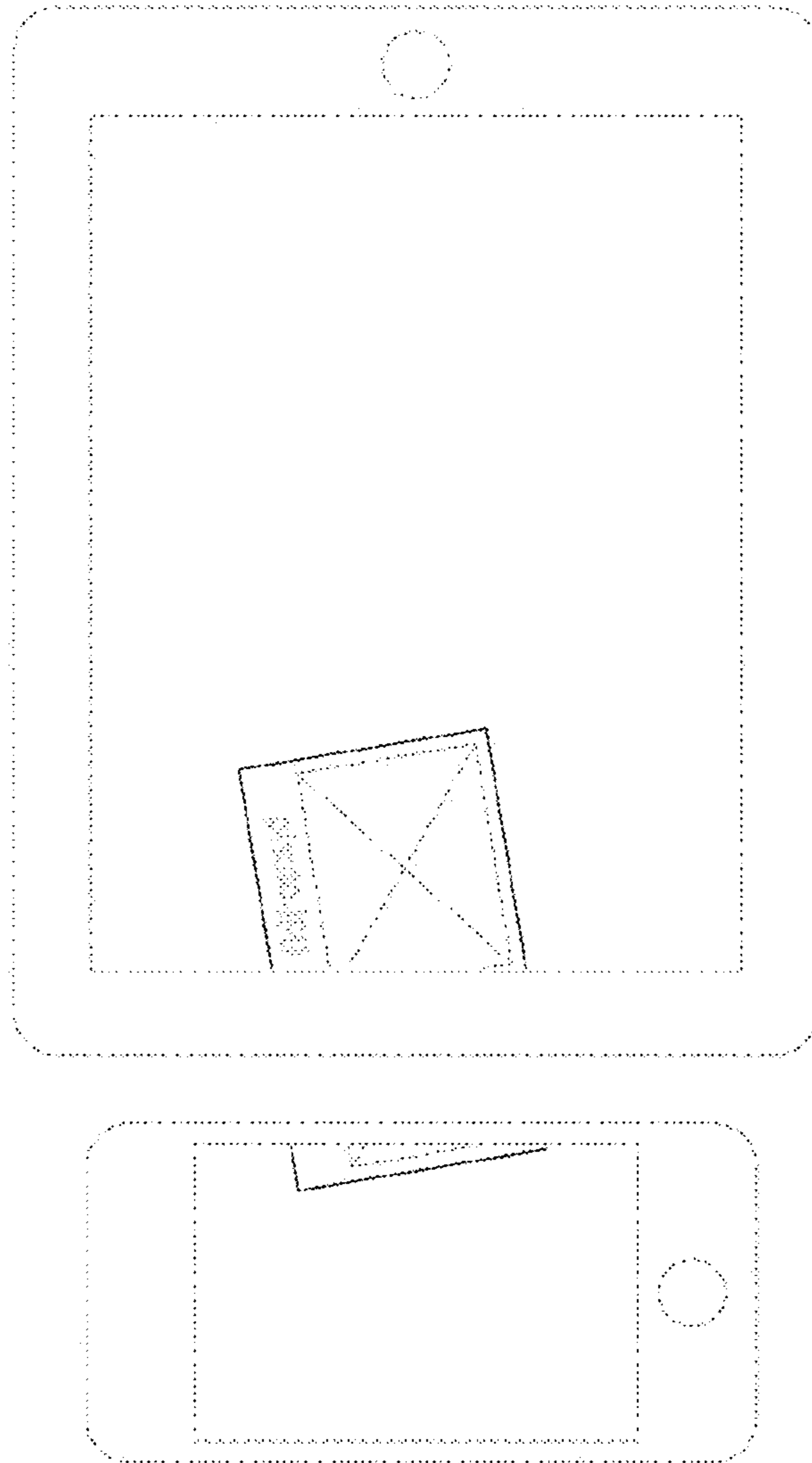


FIG. 5

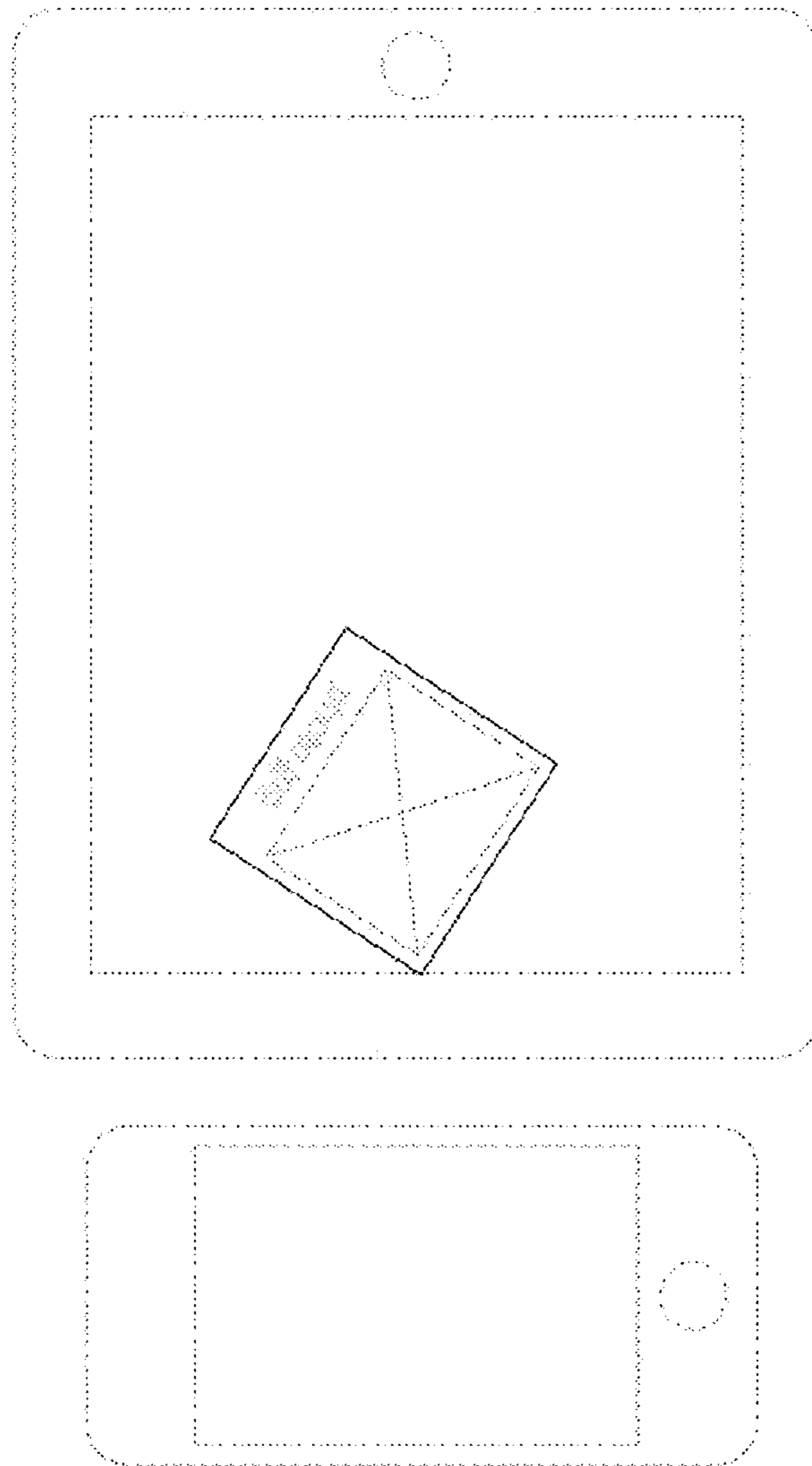


FIG. 6



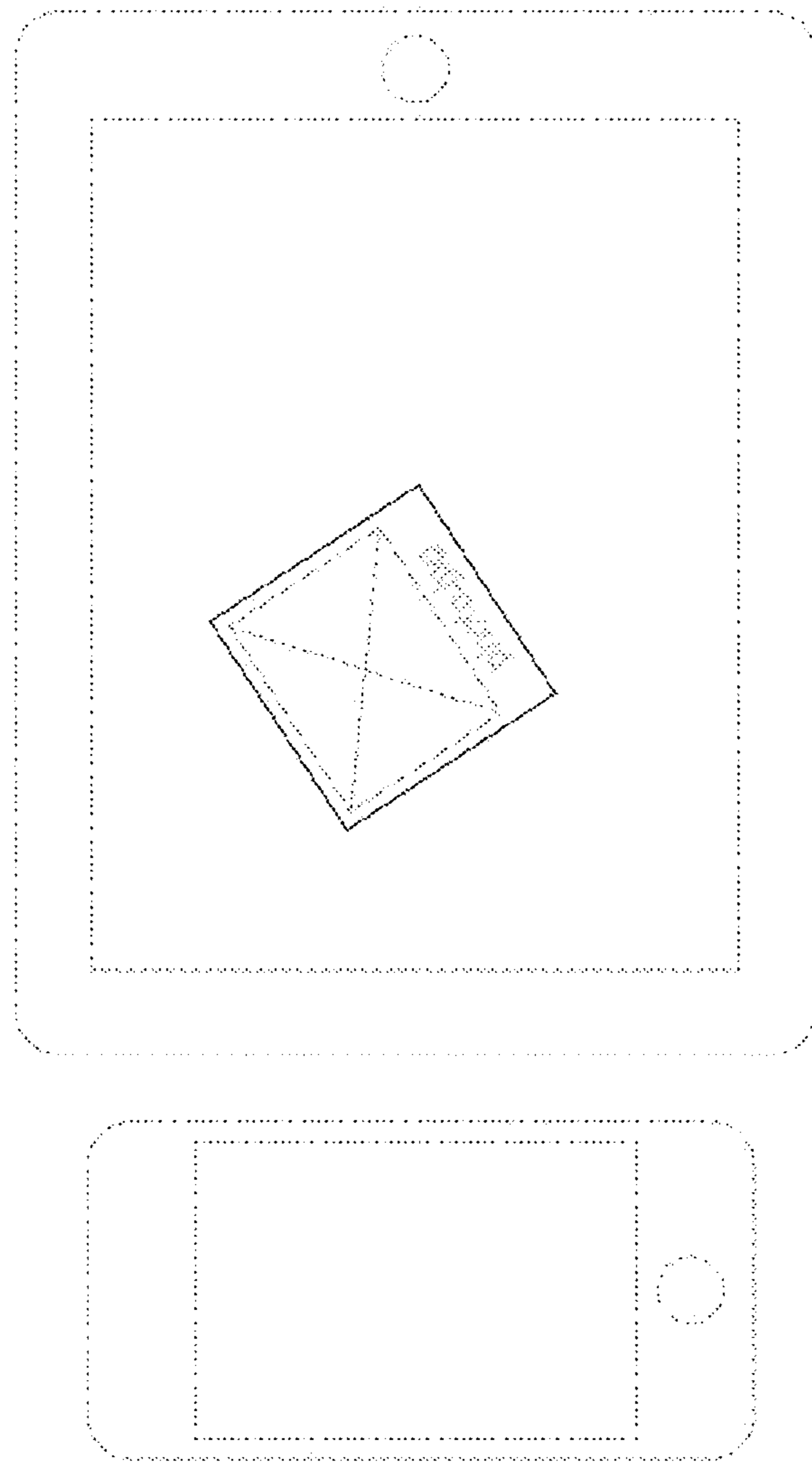


FIG. 7

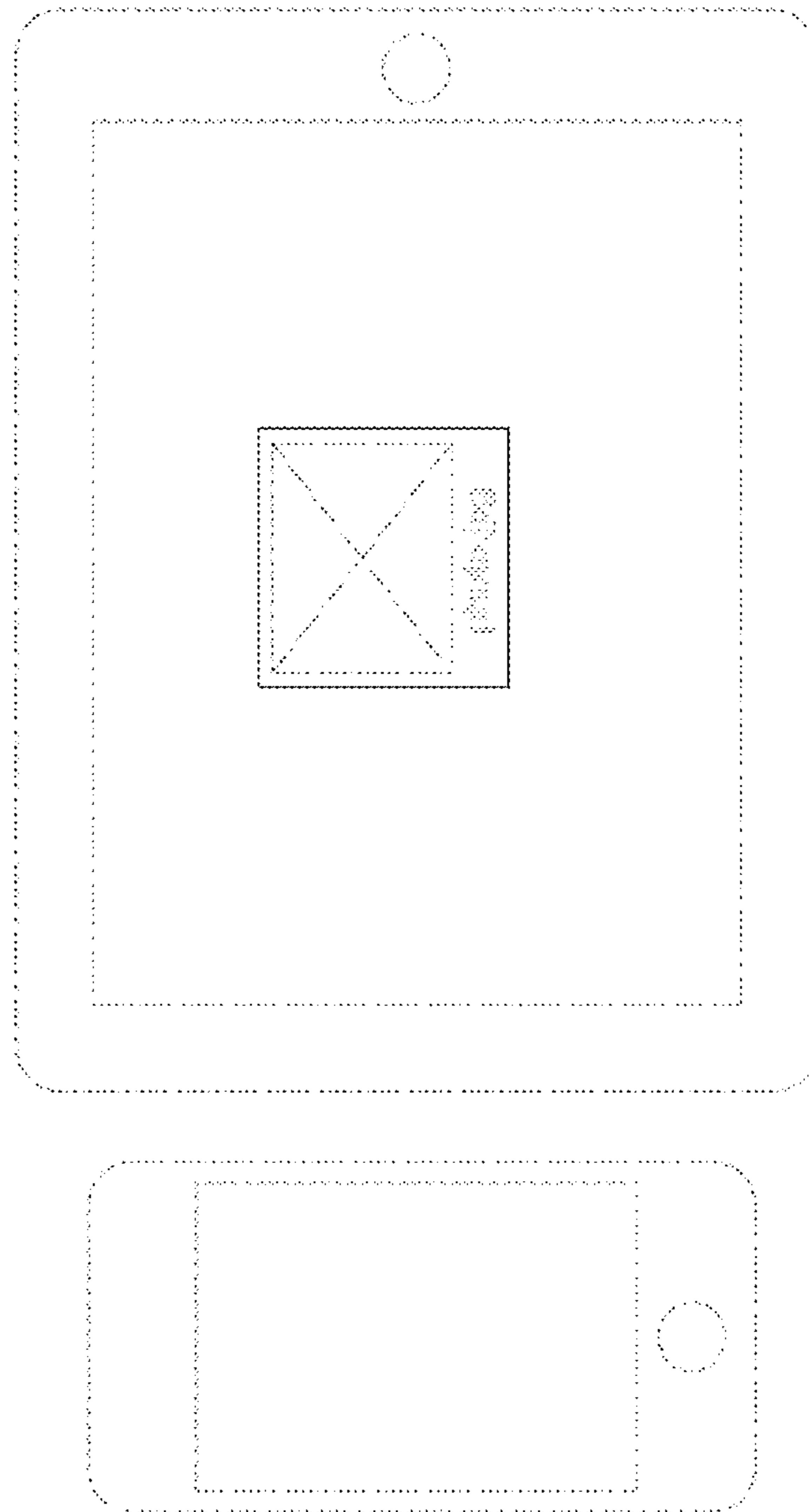


FIG. 8

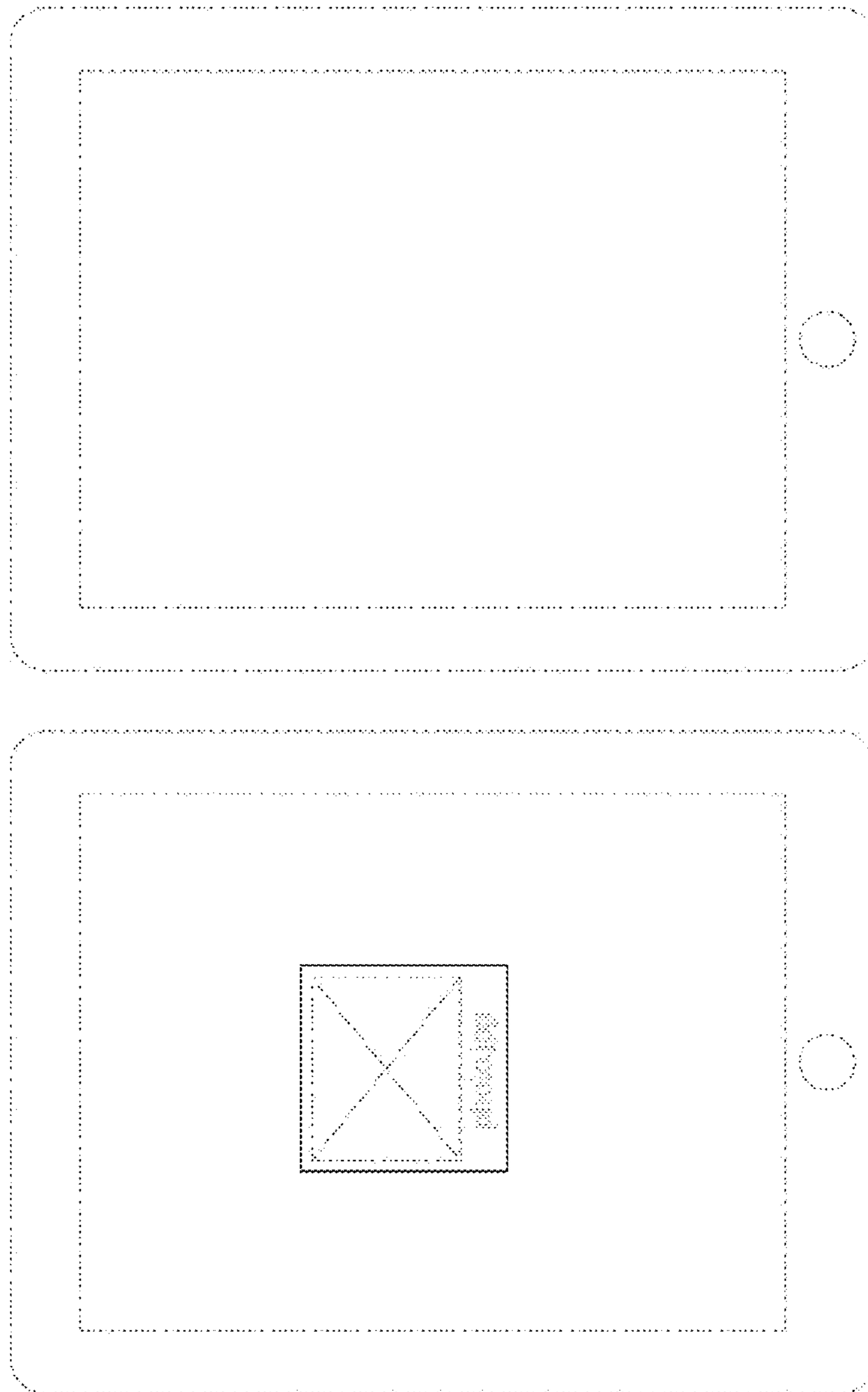


FIG. 9

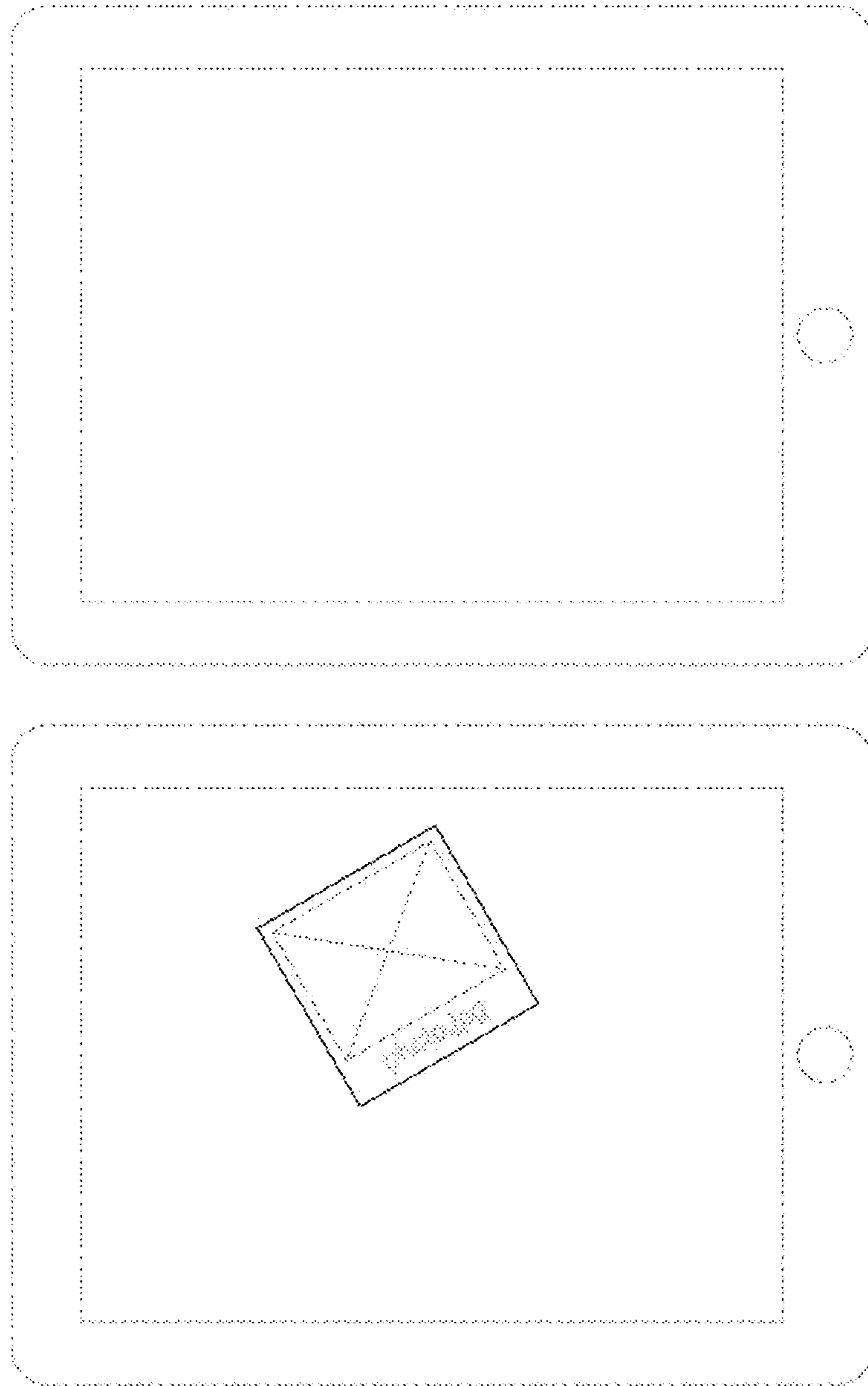


FIG. 10

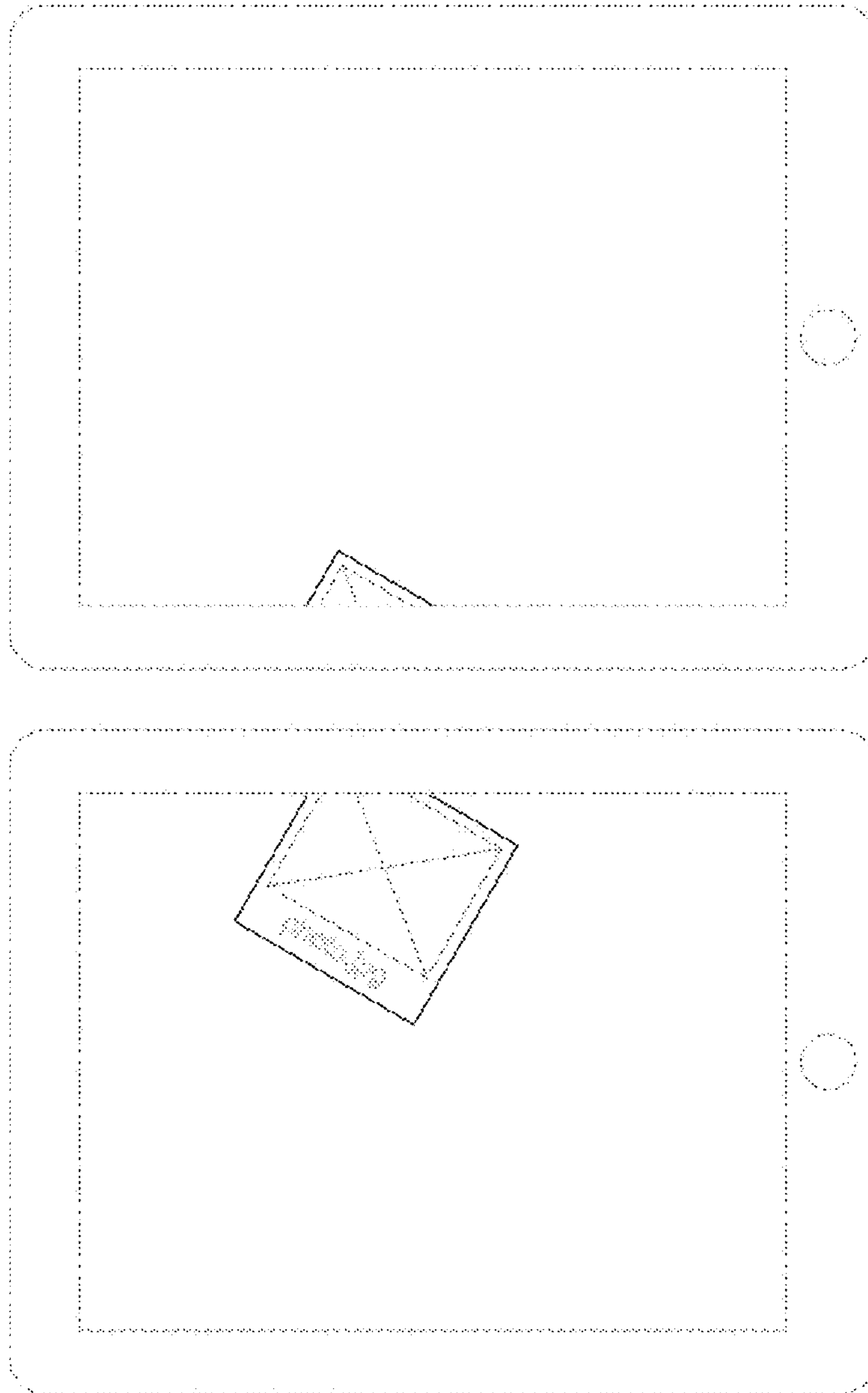


FIG. 11

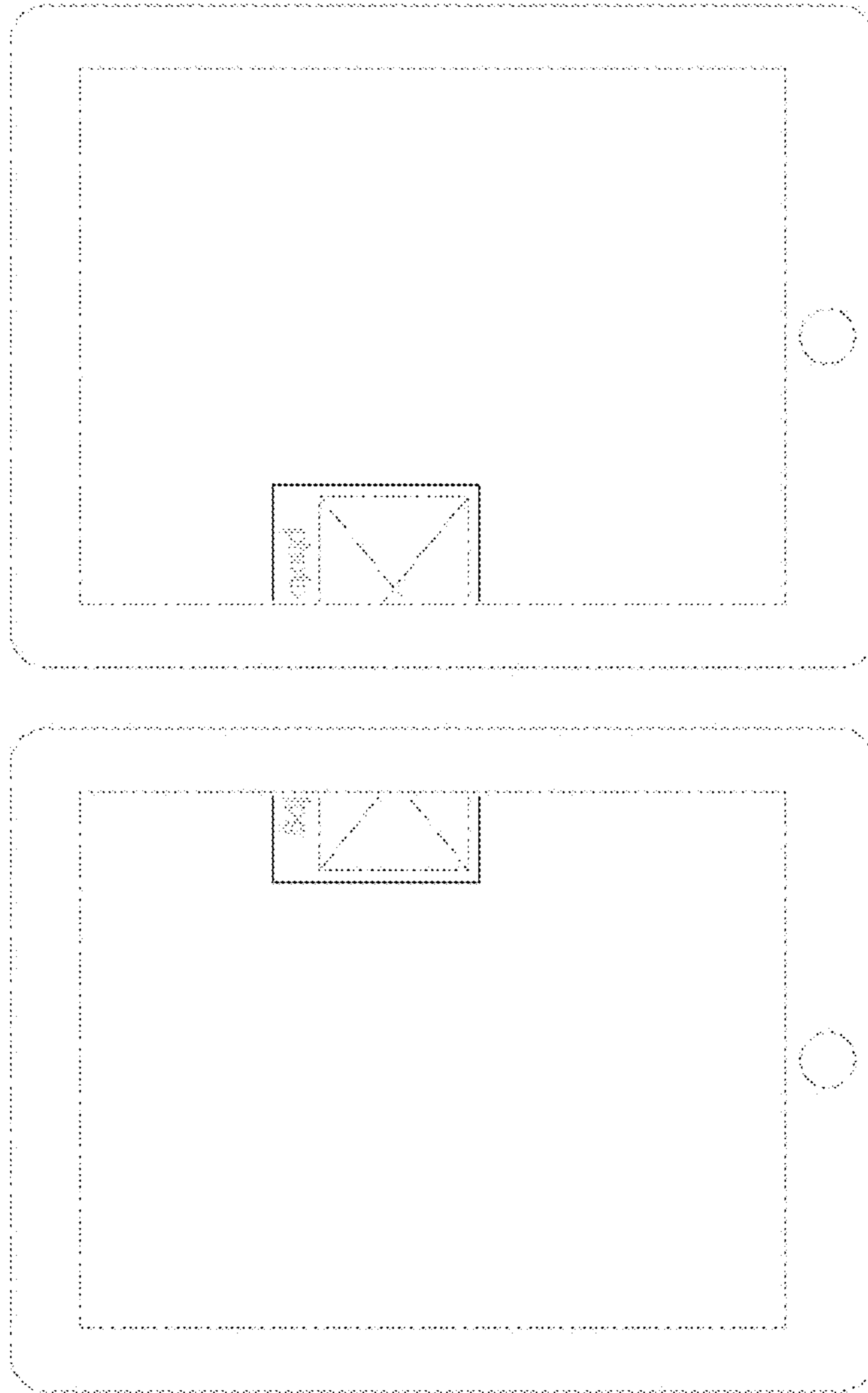


FIG. 12

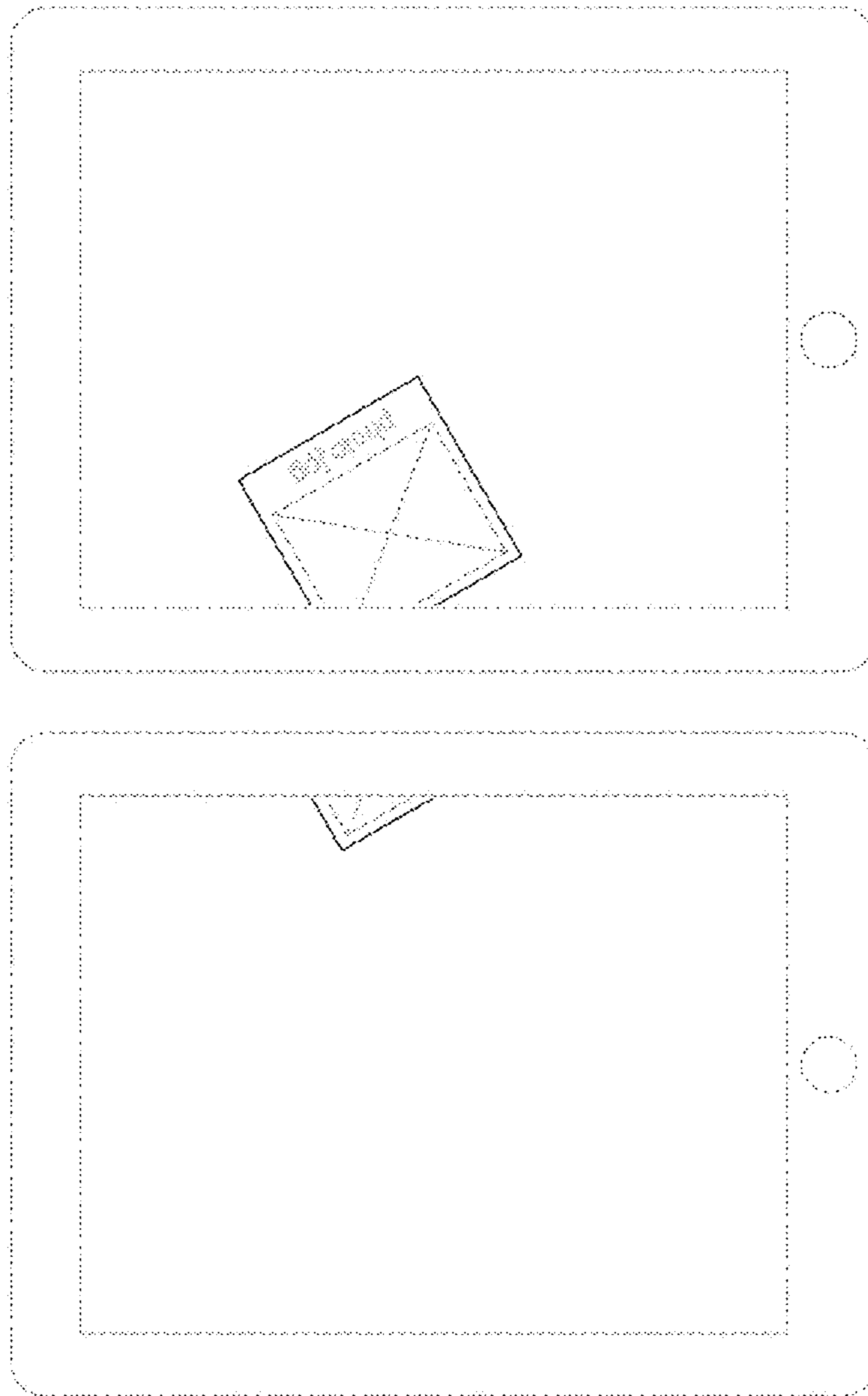


FIG. 13

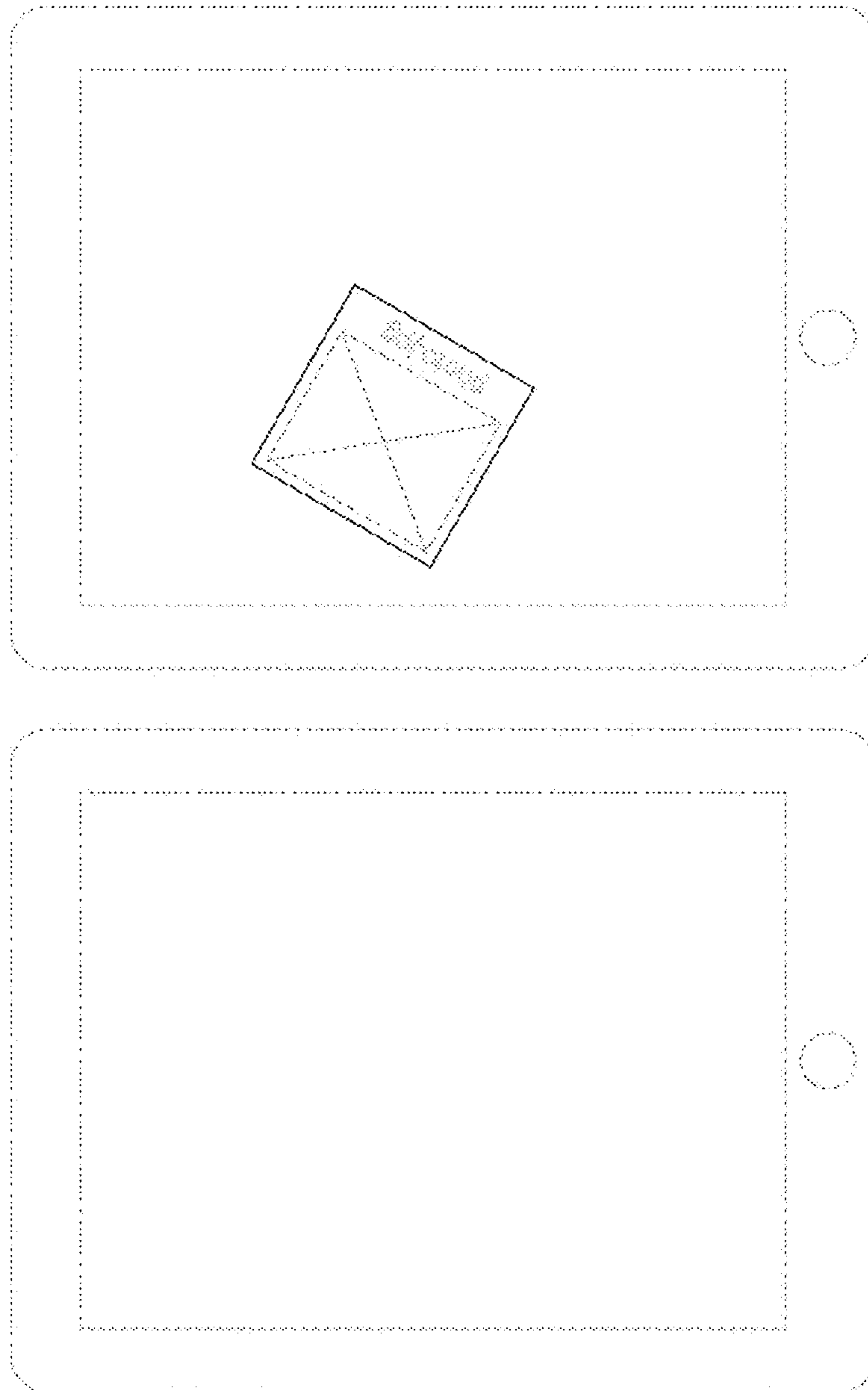


FIG. 14



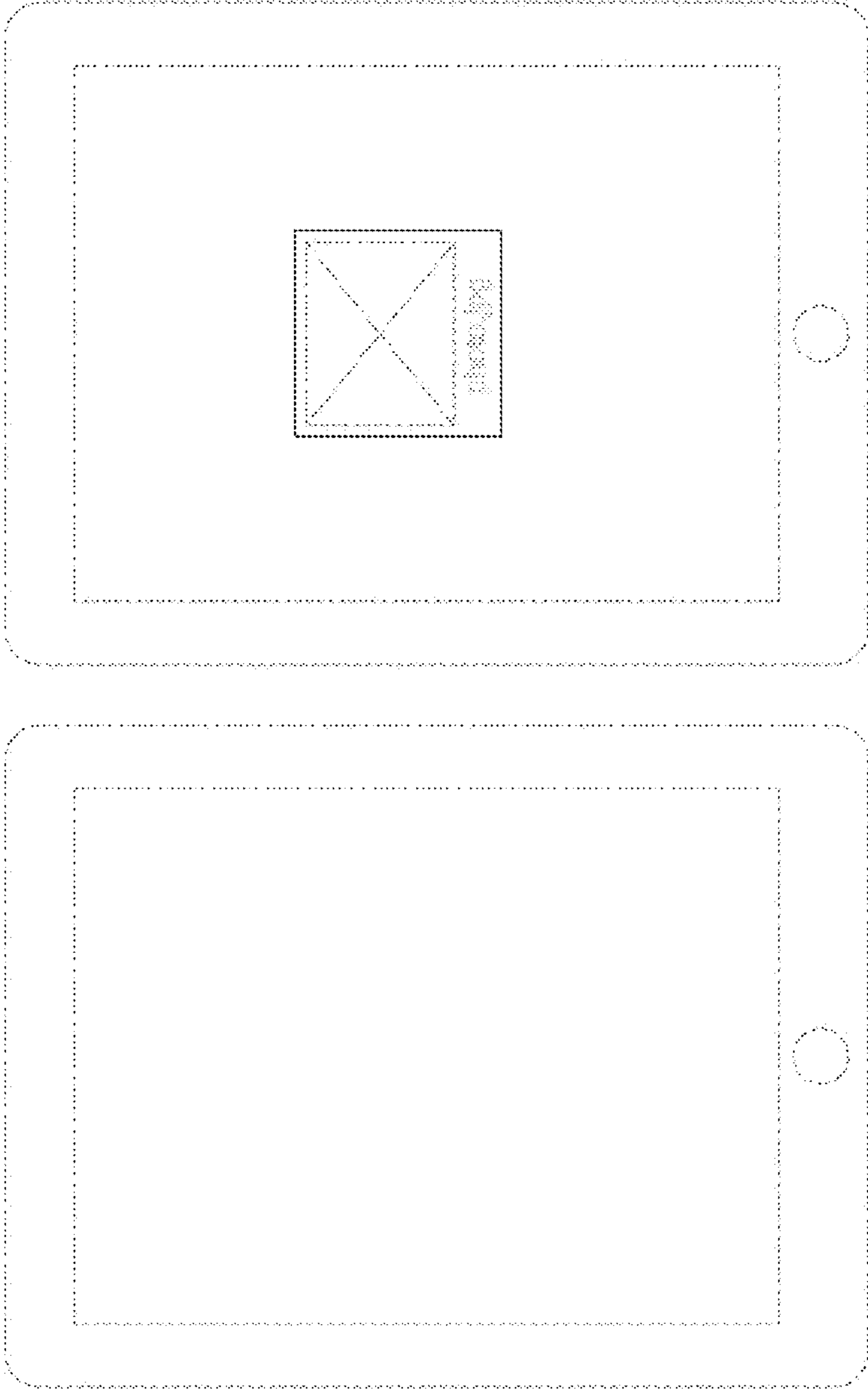


FIG. 15