



US00D760721S

(12) **United States Design Patent**
Akana et al.

(10) **Patent No.:** **US D760,721 S**
(45) **Date of Patent:** **** Jul. 5, 2016**

(54) **DOCK**

(71) Applicant: **Apple Inc.**, Cupertino, CA (US)

(72) Inventors: **Jody Akana**, San Francisco, CA (US);
Bartley K. Andre, Palo Alto, CA (US);
Shota Aoyagi, San Francisco, CA (US);
Anthony Michael Ashcroft, San Francisco, CA (US);
Jeremy Bataillou, San Francisco, CA (US);
Daniel J. Coster, San Francisco, CA (US);
Daniele De Iuliis, San Francisco, CA (US);
M. Evans Hankey, San Francisco, CA (US);
Julian Hoenig, San Francisco, CA (US);
Richard P. Howarth, San Francisco, CA (US);
Jonathan P. Ive, San Francisco, CA (US);
Duncan Robert Kerr, San Francisco, CA (US);
Matthew Dean Rohrbach, San Francisco, CA (US);
Peter Russell-Clarke, San Francisco, CA (US);
Benjamin Andrew Shaffer, San Jose, CA (US);
Mikael Silvanto, San Francisco, CA (US);
Christopher J. Stringer, Woodside, CA (US);
Eugene Antony Whang, San Francisco, CA (US);
Rico Zörkendörfer, San Francisco, CA (US)

(73) Assignee: **Apple Inc.**, Cupertino, CA (US)

(**) Term: **14 Years**

(21) Appl. No.: **29/501,654**

(22) Filed: **Sep. 5, 2014**

(51) **LOC (10) Cl.** **14-02**

(52) **U.S. Cl.**
USPC **D14/434**

(58) **Field of Classification Search**
USPC D14/432-434, 314, 447, 217, 358;
D13/107, 108, 146; D8/373;
248/346.03, 176.1; 361/679.41,

361/679.31, 679.32, 679.4, 679.43, 679.55,
361/679.58, 679.33; 320/109, 112-115;
710/15, 303; 455/557; 439/347, 534
CPC H02J 7/0042; H02J 7/00; H01R 31/065;
H01M 10/44; F16M 11/10; G06F 1/1632
See application file for complete search history.

(56) **References Cited**

U.S. PATENT DOCUMENTS

D288,555 S 3/1987 Gemmell
D374,858 S 10/1996 Chu

(Continued)

FOREIGN PATENT DOCUMENTS

EM 002183608-0001 2/2013
KR 30-0598013 S 5/2011
TW D158571 S 1/2014

Primary Examiner — Freda S Nunn

(74) *Attorney, Agent, or Firm* — Sterne, Kessler, Goldstein & Fox P.L.L.C.

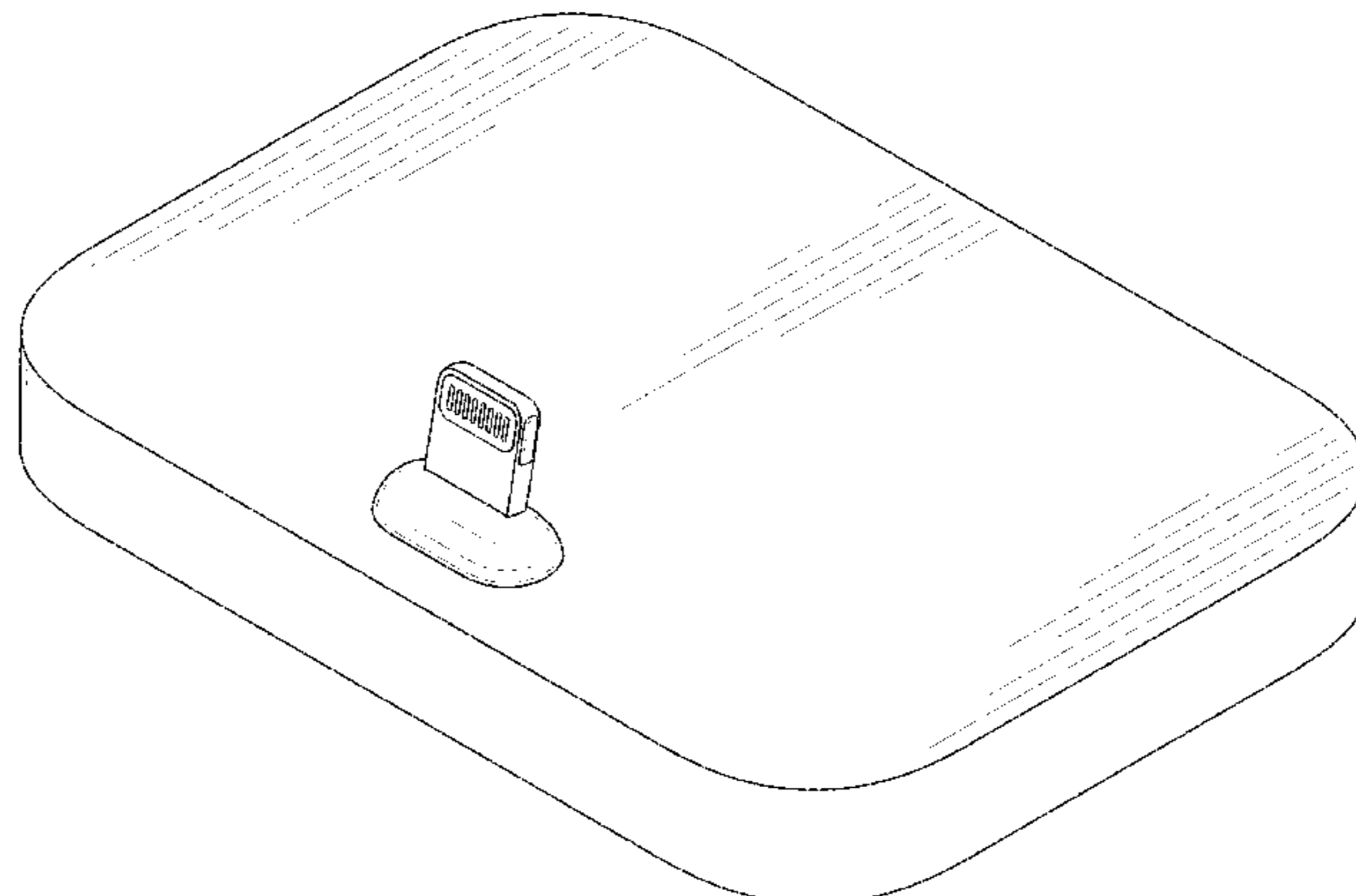
(57) **CLAIM**

The ornamental design for a dock, as shown and described.

DESCRIPTION

FIG. 1 is a front perspective view of a dock showing our new design;
FIG. 2 is a rear perspective view thereof;
FIG. 3 is a top view thereof;
FIG. 4 is a bottom view thereof;
FIG. 5 is a left side view thereof;
FIG. 6 is a right side view thereof;
FIG. 7 is a rear view thereof; and,
FIG. 8 is a front view thereof.
The shade lines in the figures show contour and not surface ornamentation.
The broken lines in the figures show portions of the dock that form no part of the claimed design.

1 Claim, 6 Drawing Sheets



(56)

References Cited

U.S. PATENT DOCUMENTS

D385,530 S 10/1997 Hames et al.
 D397,996 S 9/1998 Smith
 5,952,814 A 9/1999 Van Lerberghe
 D442,939 S 5/2001 Goldenburg
 6,307,348 B1 10/2001 Green
 D495,336 S 8/2004 Andre et al.
 D503,679 S 4/2005 Andre et al.
 6,898,080 B2 5/2005 Yin et al.
 D525,616 S 7/2006 Andre et al.
 7,075,579 B2 7/2006 Whitby et al.
 D526,648 S 8/2006 Andre et al.
 D542,288 S 5/2007 Andre et al.
 D554,107 S * 10/2007 Calco D14/217
 D558,738 S 1/2008 Andre et al.
 D558,739 S 1/2008 Andre et al.
 D567,800 S 4/2008 Andre et al.
 D568,874 S 5/2008 Andre et al.
 D579,917 S * 11/2008 Marchand D14/217

D590,770 S 4/2009 Moss
 7,580,255 B2 8/2009 Crooijmans et al.
 D607,879 S * 1/2010 Ferber D13/108
 7,719,830 B2 5/2010 Howarth et al.
 D628,562 S 12/2010 Akana et al.
 D647,908 S * 11/2011 Chen D14/434
 D648,325 S 11/2011 Akana et al.
 D648,707 S 11/2011 Akana et al.
 D648,725 S 11/2011 Akana et al.
 D657,362 S * 4/2012 Lister D14/434
 D660,794 S 5/2012 Fahrendorff et al.
 D662,471 S 6/2012 Fahrendorff et al.
 D662,491 S 6/2012 Andre et al.
 D667,411 S * 9/2012 Kim D14/434
 D684,539 S 6/2013 Akana et al.
 D684,976 S 6/2013 Akana et al.
 D699,188 S 2/2014 Akana et al.
 2007/0047198 A1 3/2007 Crooijmans et al.
 2008/0219488 A1 * 9/2008 Crooijmans G06F 1/1632
 381/333
 2009/0009957 A1 1/2009 Crooijmans et al.

* cited by examiner

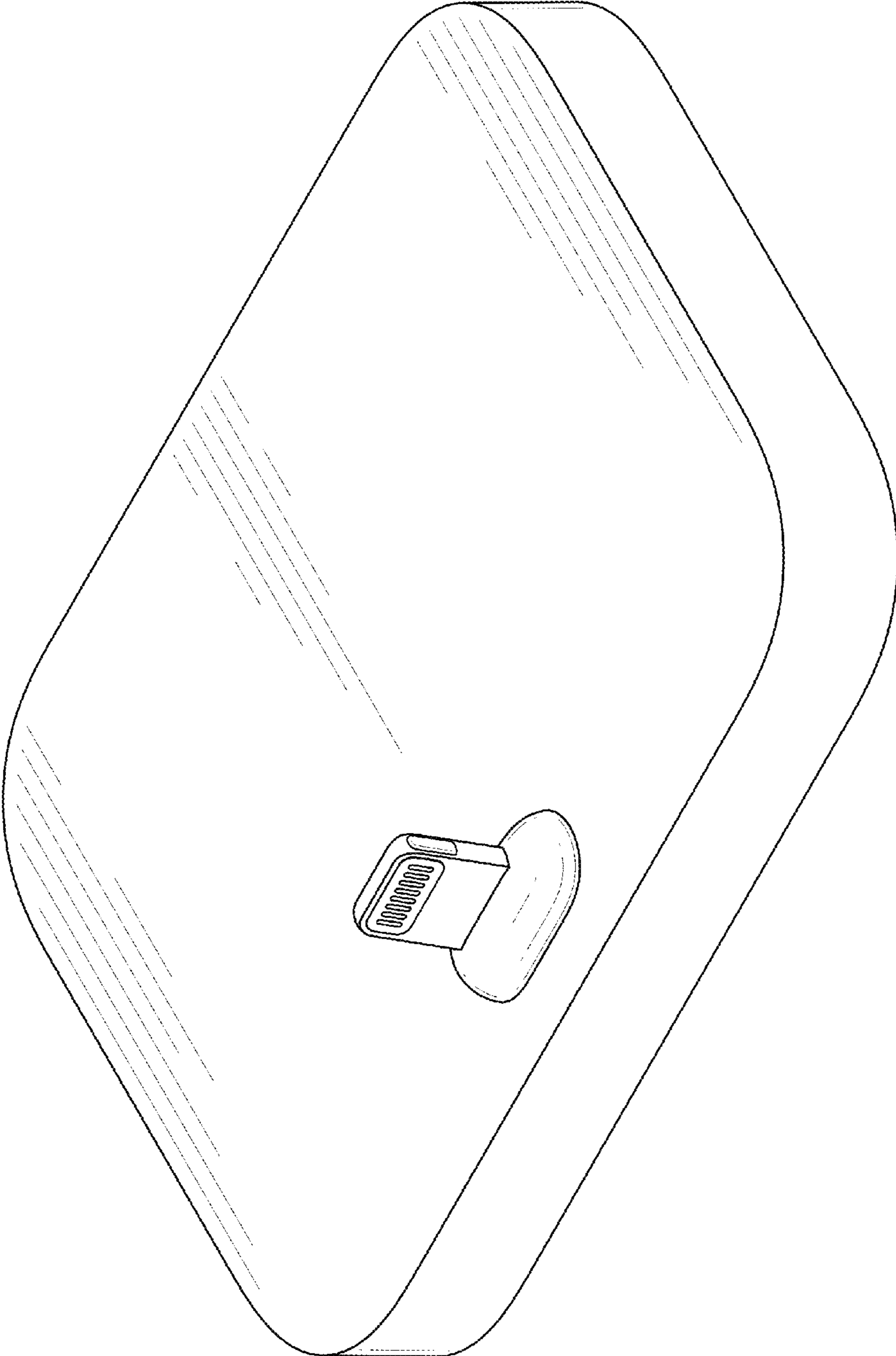


FIG. 1

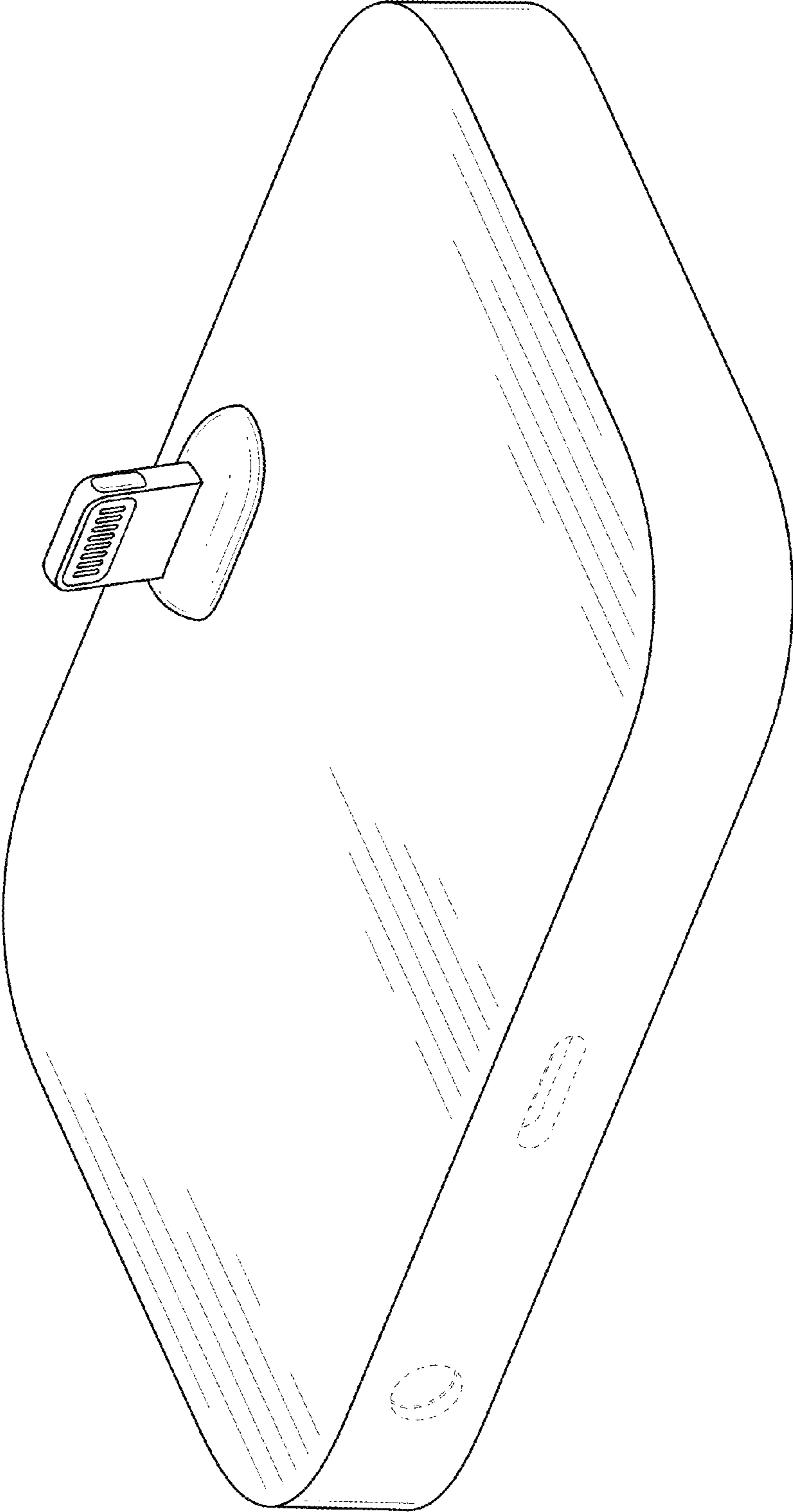


FIG. 2

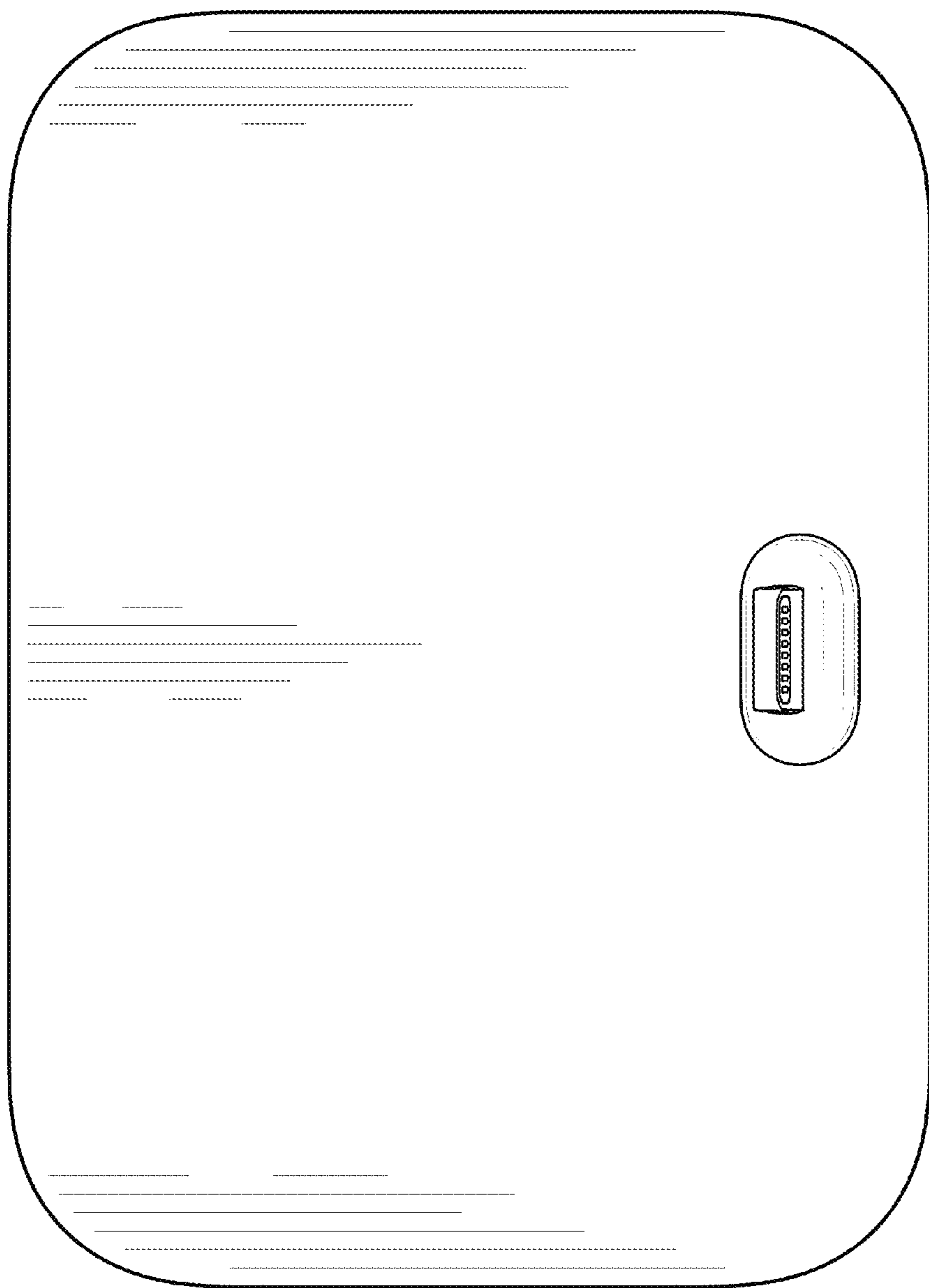


FIG. 3

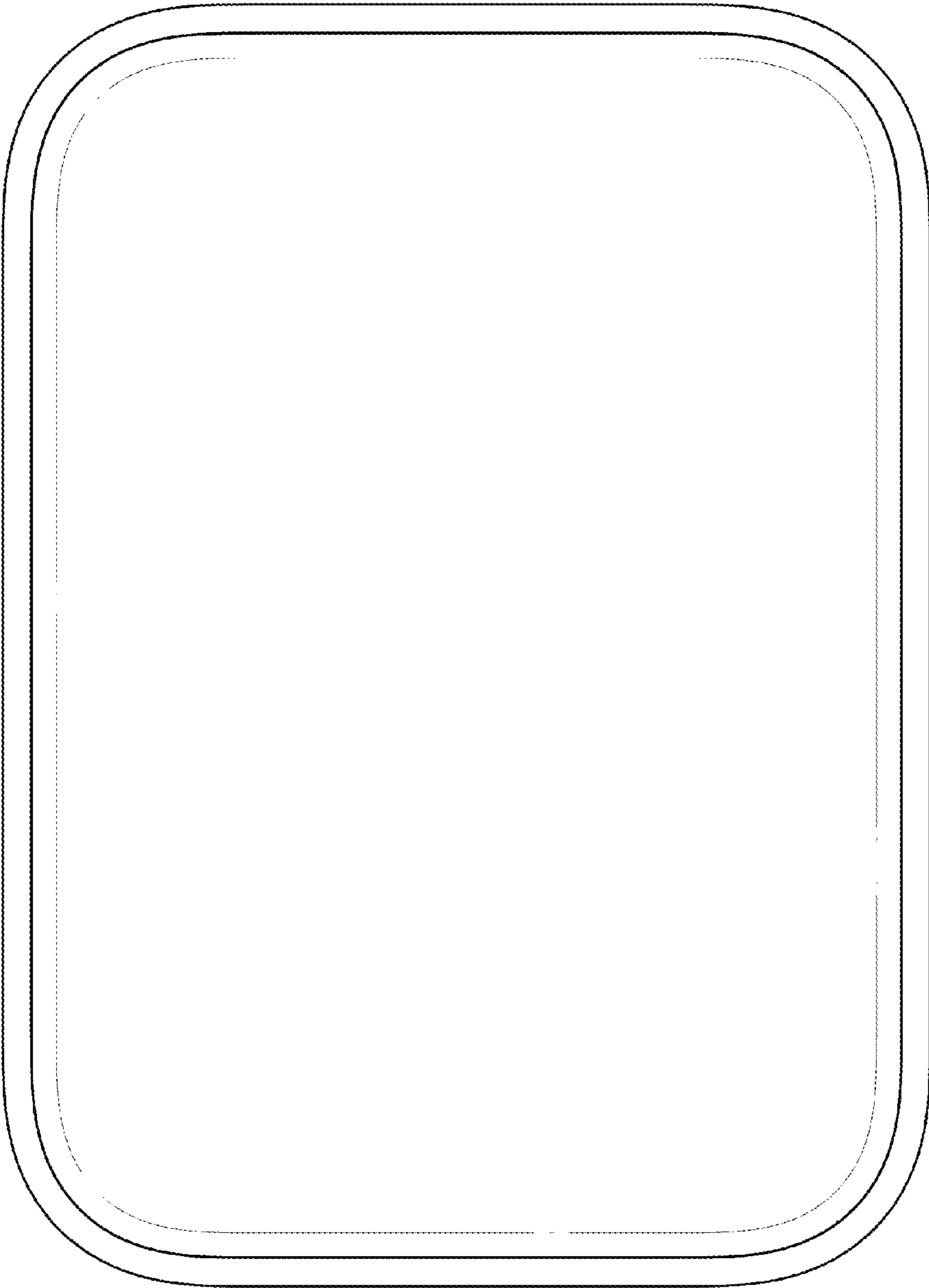


FIG. 4

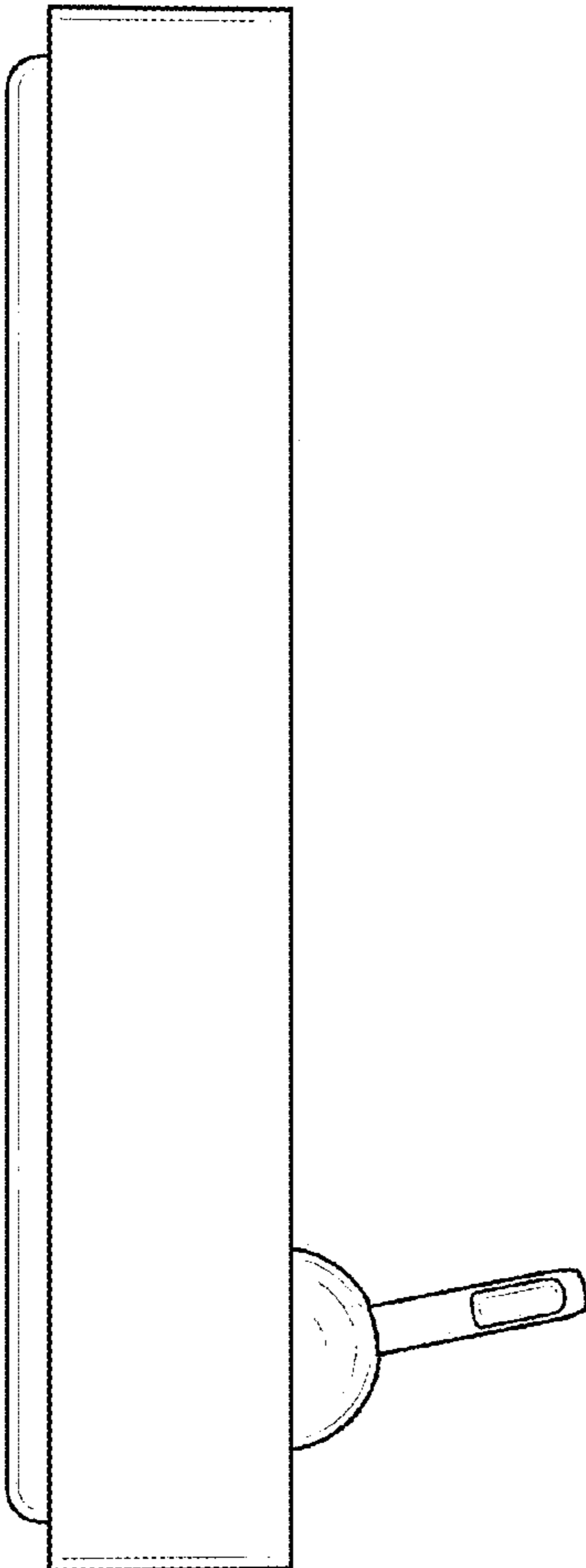


FIG. 5

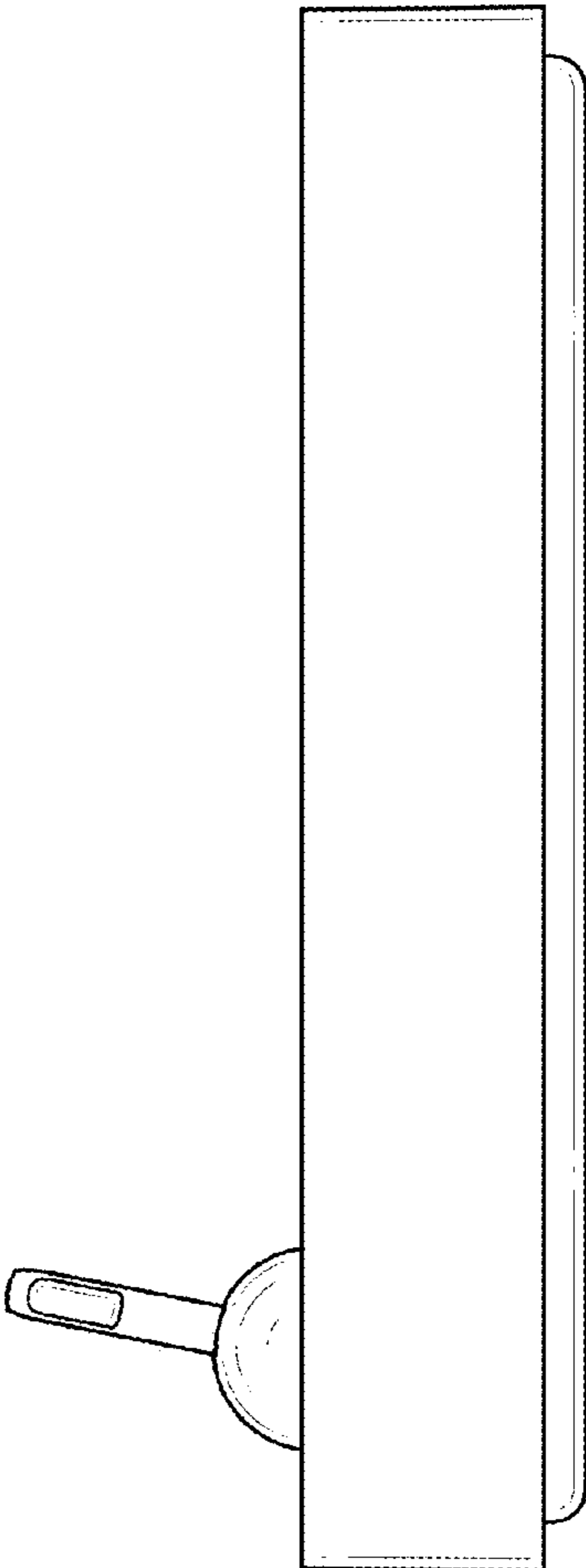


FIG. 6

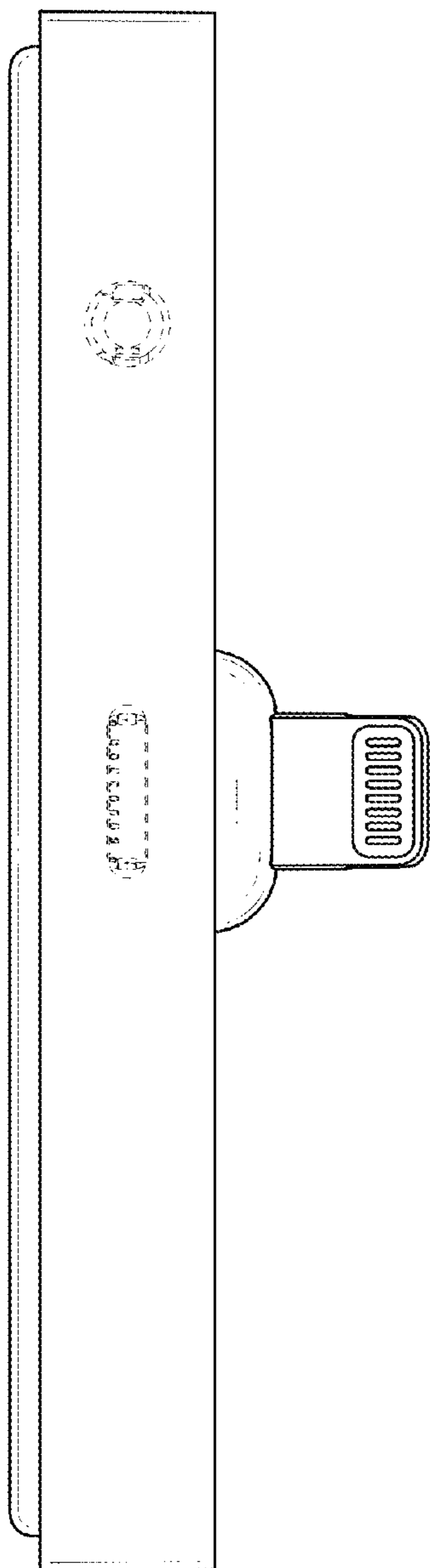


FIG. 7

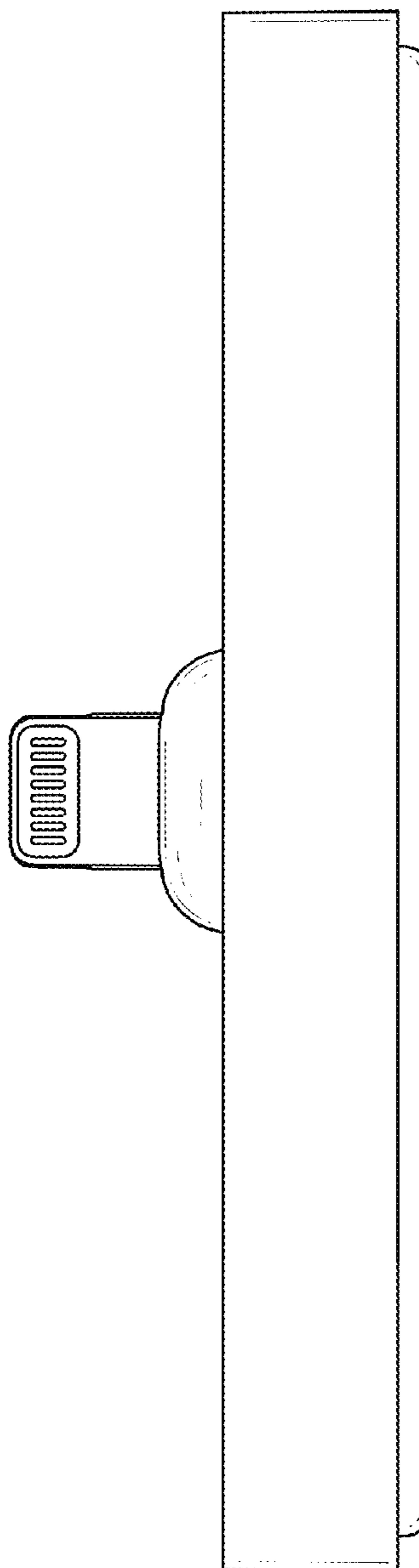


FIG. 8