

US00D760720S

(12) **United States Design Patent**  
**Laffon de Mazieres et al.**

(10) **Patent No.:** **US D760,720 S**  
(45) **Date of Patent:** **\*\* Jul. 5, 2016**

- (54) **ELECTRONIC DEVICE CABLE**
- (71) Applicant: **Amazon Technologies, Inc.**, Seattle, WA (US)
- (72) Inventors: **Emmanuel J. M. Laffon de Mazieres**, Burlingame, CA (US); **Marc Rene Walliser**, San Francisco, CA (US); **Christopher Green**, San Francisco, CA (US)
- (73) Assignee: **Amazon Technologies, Inc.**, Seattle, WA (US)
- (\*\*) Term: **15 Years**
- (21) Appl. No.: **29/541,722**
- (22) Filed: **Oct. 7, 2015**

**Related U.S. Application Data**

- (62) Division of application No. 29/430,010, filed on Aug. 20, 2012, now Pat. No. Des. 743,965.
- (51) **LOC (10) Cl.** ..... **14-02**
- (52) **U.S. Cl.**  
USPC ..... **D14/433**
- (58) **Field of Classification Search**  
USPC ..... D14/356, 432-434, 453, 454, 511, D14/203.8, 209.1, 238.1, 240, 125; 439/638, 928, 105, 502; 710/303, 304; 361/679.41, 679.55, 679.56; D13/110, D13/133, 146  
CPC ..... H01R 24/64; H01R 24/62; H01R 12/714; H01R 13/506; H01R 13/6658  
See application file for complete search history.

(56) **References Cited**

**U.S. PATENT DOCUMENTS**

- 4,427,256 A 1/1984 Reif et al.
- D563,872 S \* 3/2008 Lee ..... D13/133
- D563,899 S \* 3/2008 Goetz ..... D13/154

- D585,835 S 2/2009 Jaqua et al.
- D588,545 S 3/2009 Andre et al.
- D600,652 S 9/2009 Hong et al.
- D620,449 S 7/2010 Lee et al.
- D626,512 S \* 11/2010 Lin ..... D13/147
- D635,931 S \* 4/2011 Amidon ..... D13/147

(Continued)

**OTHER PUBLICATIONS**

Japanese Office Action mailed Jun. 27, 2014 for Japanese patent application No. 2013-003401, a counterpart foreign application of U.S. Appl. No. 29/430,010, 4 pages.

(Continued)

*Primary Examiner* — Austin Murphy  
(74) *Attorney, Agent, or Firm* — Lee & Hayes, PLLC

(57) **CLAIM**

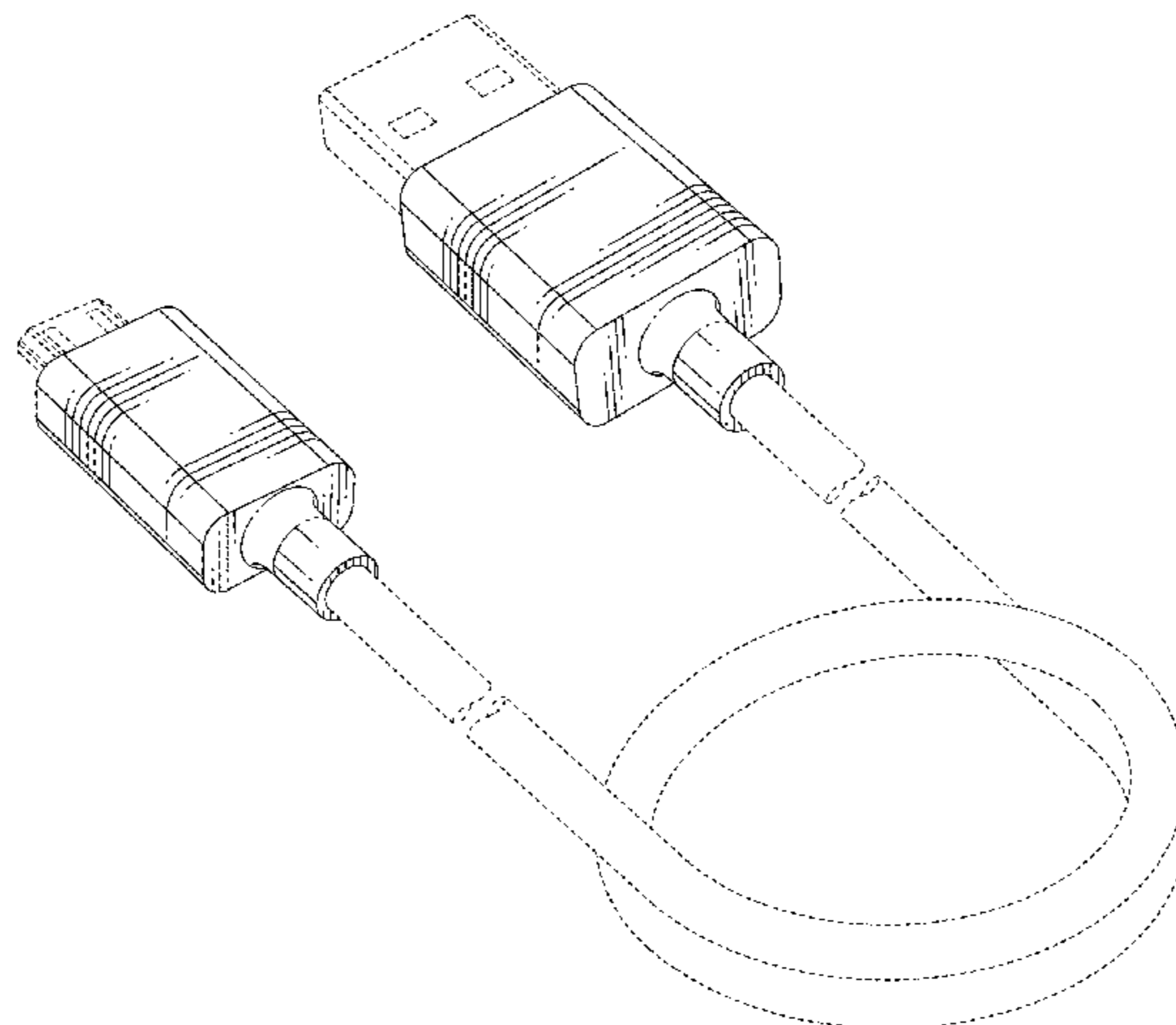
The ornamental design for an electronic device cable, as shown and described.

**DESCRIPTION**

FIG. 1 is a perspective view of an electronic device cable; FIG. 2 is another perspective view of the electronic device cable of FIG. 1; FIG. 3 is a top plan view of the electronic device cable of FIG. 1; FIG. 4 is a bottom plan view of the electronic device cable of FIG. 1; FIG. 5 is a back elevation view of the electronic device cable of FIG. 1; FIG. 6 is a front elevation view of the electronic device cable of FIG. 1; FIG. 7 is a left-side elevation view of the electronic device cable of FIG. 1; and, FIG. 8 is a right-side elevation view of the electronic device cable of FIG. 1.

The broken lines are directed to unclaimed portions and form no part of the claimed design.

**1 Claim, 6 Drawing Sheets**



(56)

**References Cited**

U.S. PATENT DOCUMENTS

D636,337	S	4/2011	Smith et al.	
D643,446	S	8/2011	Gupta et al.	
D673,908	S	1/2013	Koch	
D679,164	S	4/2013	Chen	
D680,076	S	4/2013	McManigal	
D684,976	S *	6/2013	Akana .....	D14/433
D692,390	S	10/2013	Smith et al.	
D699,188	S	2/2014	Akana et al.	
D699,686	S	2/2014	Chen et al.	
D707,680	S *	6/2014	Akana .....	D14/433
D713,342	S	9/2014	Jacobs et al.	
D713,795	S *	9/2014	Yang .....	D13/147
D714,728	S *	10/2014	Gentil .....	D13/147
D716,235	S *	10/2014	Tien .....	D13/147
D731,488	S *	6/2015	Lee .....	D14/433
D732,035	S *	6/2015	Akana .....	D14/433
D736,148	S *	8/2015	Liu .....	D13/108

D743,965	S *	11/2015	Laffon de Mazieres .....	D13/154
2013/0084760	A1	4/2013	Siahaan et al.	
2013/0090020	A1	4/2013	Zhang	

OTHER PUBLICATIONS

Japanese Office Action mailed Jan. 10, 2014 for Japanese design application No. 2013-003401, a counterpart foreign application of design U.S. Appl. No. 29/430,010, 4 pages.

KR Office Action mailed Dec. 19, 2013 for Korean design application No. 30-2013-8583, a counterpart foreign application of design U.S. Appl. No. 29/430,010, 4 pages.

Korean Office Action mailed Dec. 19, 2013 for Korean design application No. 30-2013-8579, a counterpart foreign application of design U.S. Appl. No. 29/430,010, 4 pages.

Office Action for U.S. Appl. No. 29/430,010, mailed on Mar. 16, 2015, Emmanuel Laffon de Mazieres, "Electronic Device Cable", 5 pages.

\* cited by examiner

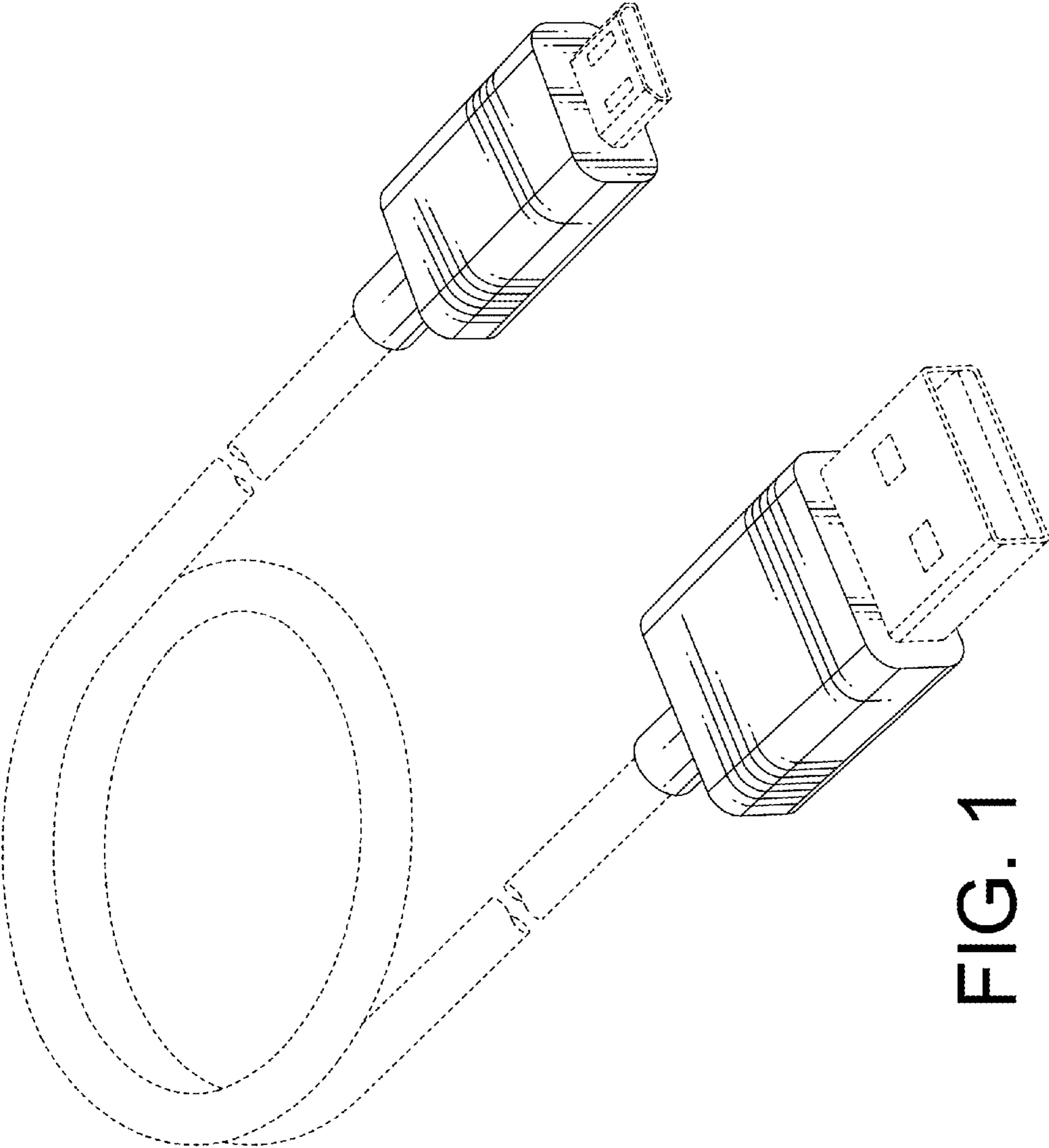


FIG. 1

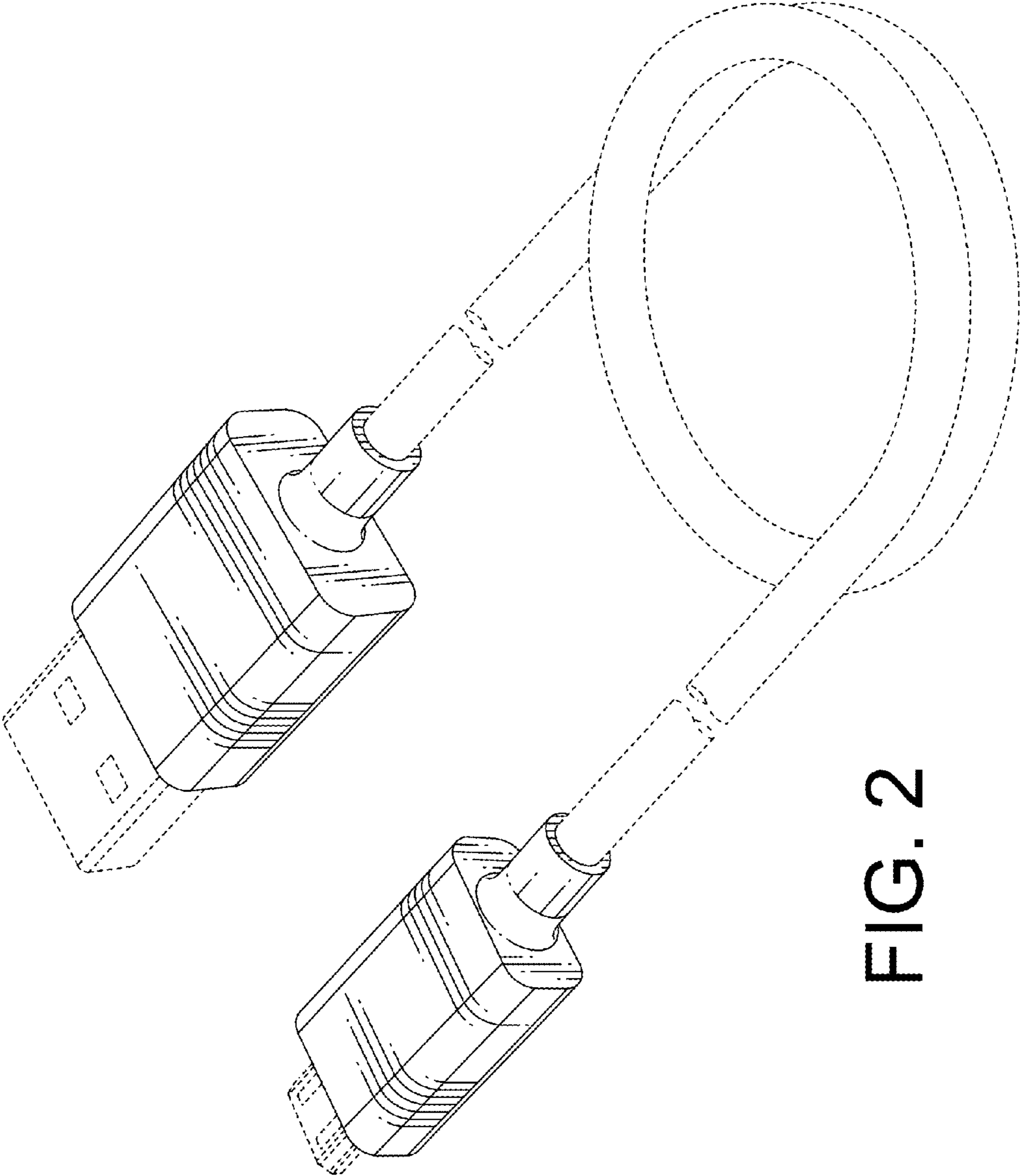


FIG. 2

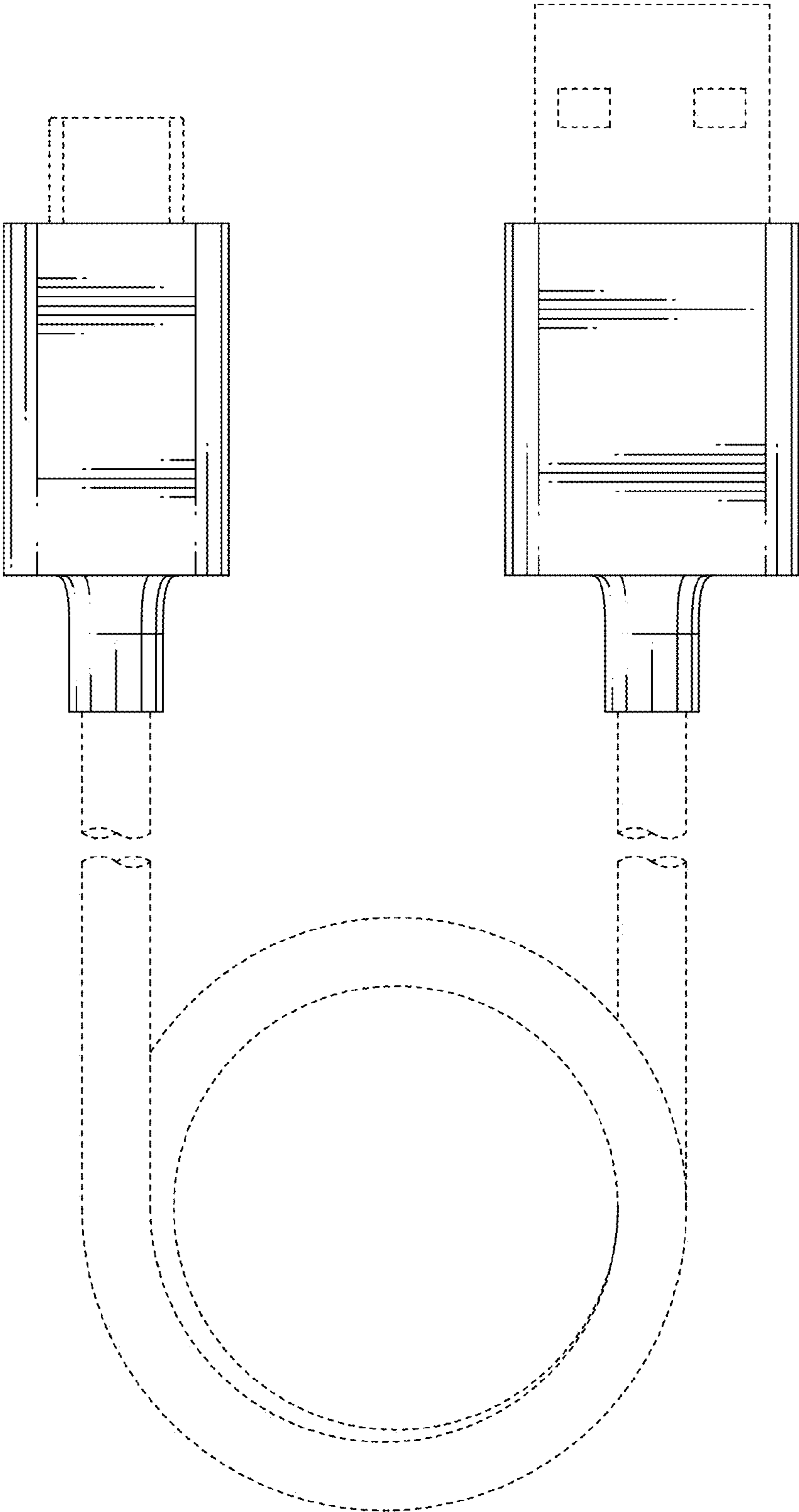


FIG. 3

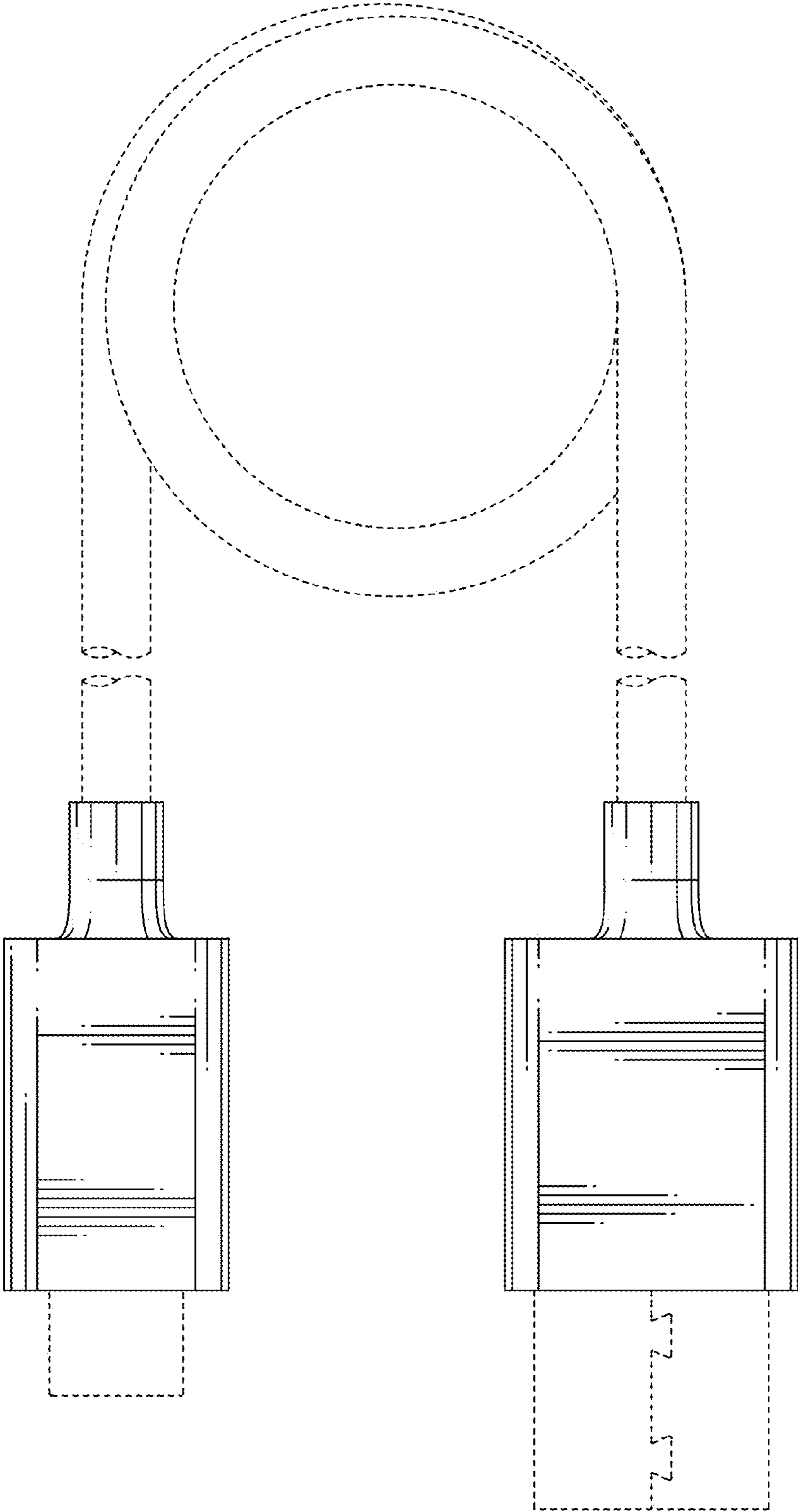


FIG. 4

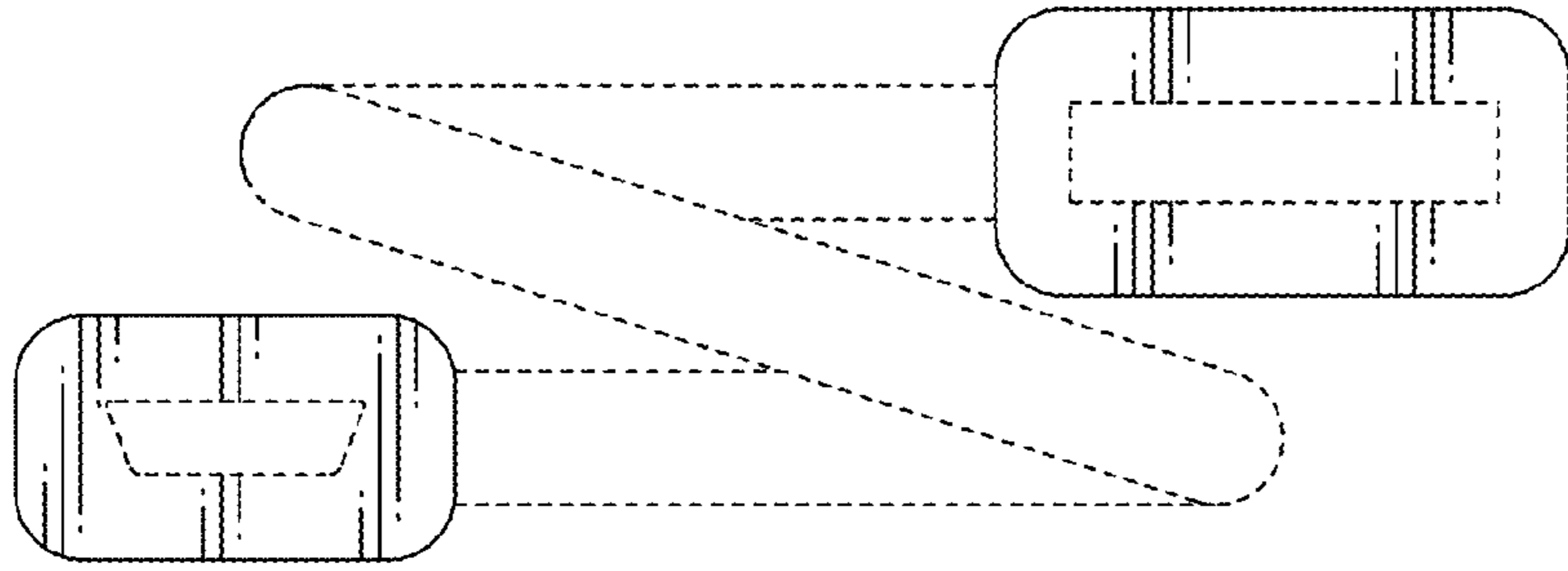


FIG. 6

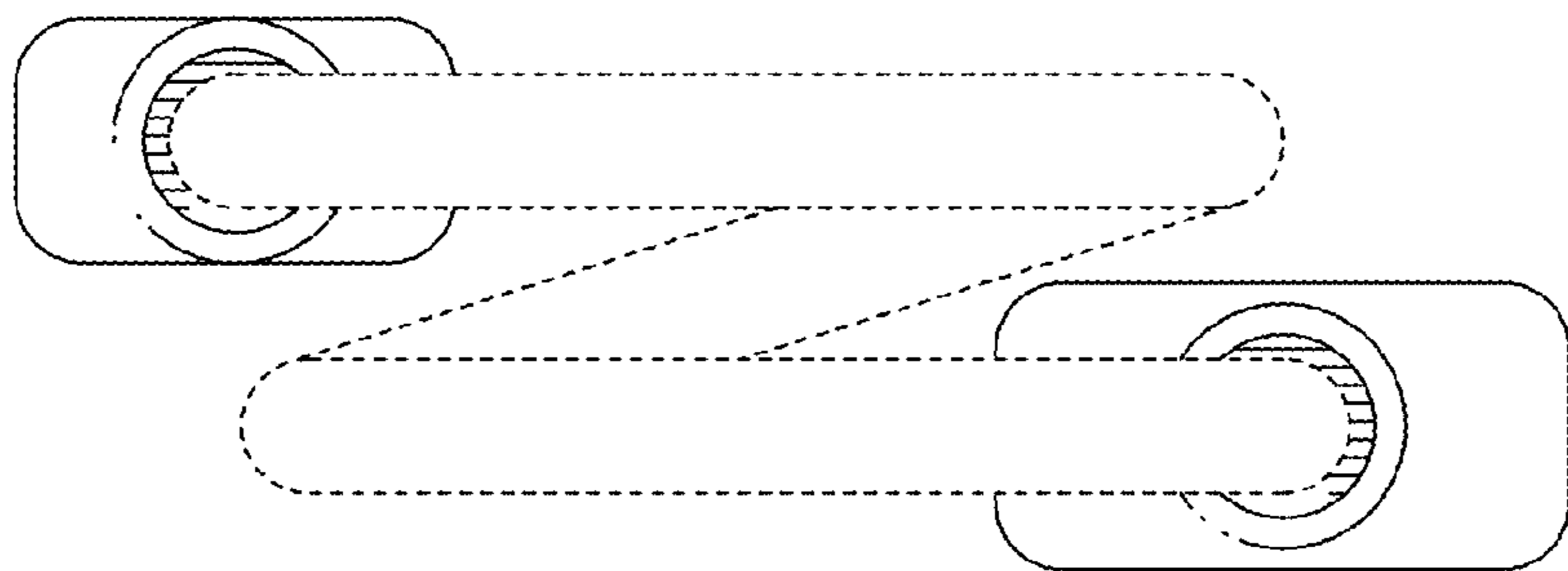


FIG. 5

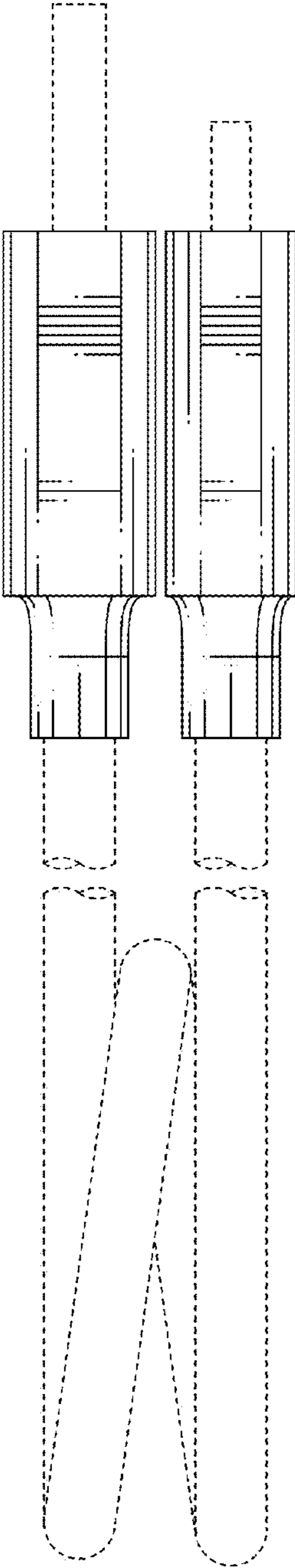


FIG. 7

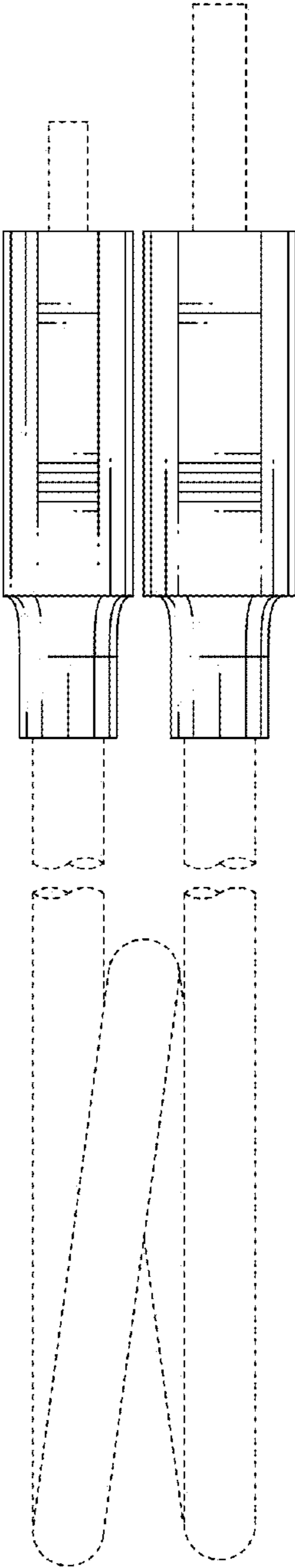


FIG. 8