



US00D760719S

(12) **United States Design Patent**  
**Zhou et al.**

(10) **Patent No.:** **US D760,719 S**  
(45) **Date of Patent:** **\*\* Jul. 5, 2016**

(54) **SCANNER**

(71) Applicant: **Hand Held Products, Inc.**, Fort Mill, SC (US)  
(72) Inventors: **Peng Zhou**, Suzhou (CN); **Yuefeng Mo**, Suzhou (CN); **Miansong Chen**, Suzhou (CN)  
(73) Assignee: **Hand Held Products, Inc.**, Fort Mill, SC (US)

(\*\*) Term: **14 Years**

(21) Appl. No.: **29/524,186**

(22) Filed: **Apr. 17, 2015**

(30) **Foreign Application Priority Data**

Oct. 20, 2014 (CN) ..... 2014 3 0395775.4

(51) **LOC (10) Cl.** ..... **14-02**

(52) **U.S. Cl.**  
USPC ..... **D14/420**

(58) **Field of Classification Search**

USPC ..... D14/420, 426-428, 447, 453, 385, 363, D14/358, 240, 356, 362, 365, 370, 383, 388, D14/432, 433, 435, 439, 442, 443; D18/4.6, D18/36-56; D13/158, 162, 171, 147, 164; 235/440, 462.13, 439, 492, 380, 375, 235/486, 382, 451, 487, 381, 441, 235/472.01-472.03, 462.45, 462.47, 235/462.43, 385, 462.36, 462.01, 435, 454, 235/462, 455, 470, 43, 482, 483; 340/572.7, 573.3, 572.8, 572.1, 572.4, 340/10.1, 5.86; 455/41.1; 700/225; 710/2, 710/301, 64; 336/221, 232; 439/159; 361/752, 679.31, 679.32, 679.38, 361/679.45, 800; 358/473, 483, 474, 482; 379/436, 438; 312/223.1; 347/86, 49  
CPC ..... G06K 7/10653; G06K 7/1098; G06K 7/10633; G06K 7/10831; G06K 7/10881; G06K 7/10584; G06K 7/10613; G06K 7/10871; G06K 7/109; G06K 7/10693;

G06K 7/1096; G06K 7/10564; G06K 7/10603; G06K 7/10663; G06K 7/10673; G06K 7/10702; G06K 7/10792; G06K 7/10891; G06K 7/14; G06K 7/1443; G06K 7/10801; G06K 7/10851; G06K 7/10861; G06K 2207/1013; G06K 2207/1016; G06K 2207/1011; G06K 2207/1012; G06K 2207/1017; G06K 2207/1018; G06K 2207/10534; G06K 2007/10485; G02B 26/10; G02B 26/105; G02B 26/106; B41J 2/17559; B41J 2/17513; B41J 2/17523; B41J 2/17553; B41J 2/17566; B41J 2/1752; B41J 2/17593; B41J 2/1755; B41F 33/0081; A47F 9/046; A47F 9/047; G07G 1/0045; G04N 5/23238; G04N 5/2252; G04N 5/2251; G03B 17/02; B25H 5/00; B66F 7/28; G07F 11/002; G07F 11/02; G06Q 20/343; G06F 2203/0331  
See application file for complete search history.

(56) **References Cited**

U.S. PATENT DOCUMENTS

D226,248 S \* 1/1973 Krusche ..... 362/135  
D229,364 S \* 11/1973 Juhlin ..... D34/6

(Continued)

*Primary Examiner* — Susan Moon Lee

(74) *Attorney, Agent, or Firm* — Additon, Higgins & Penleton, P.A.

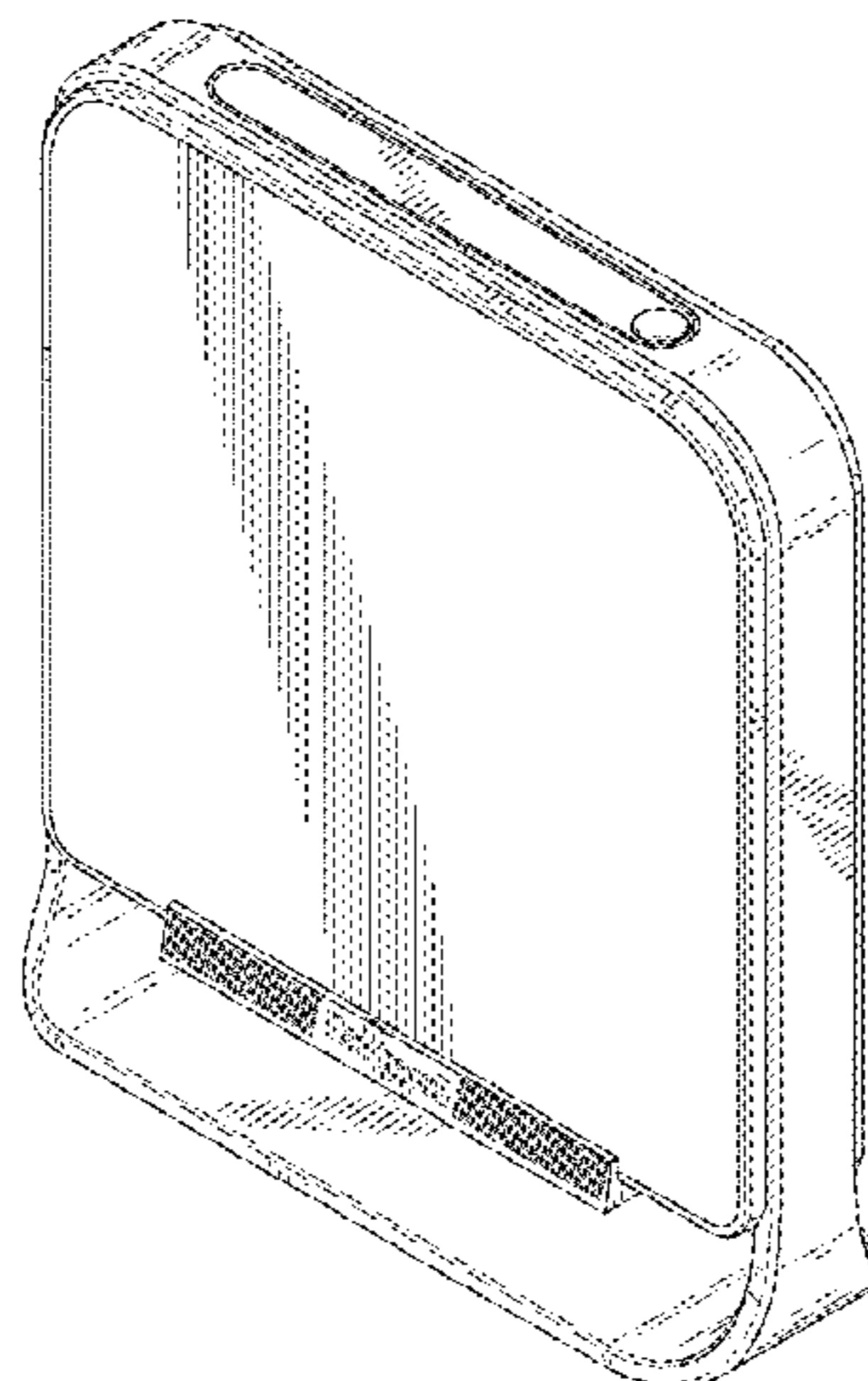
(57) **CLAIM**

The ornamental design for a scanner, as shown and described.

**DESCRIPTION**

FIG. 1 is a top perspective view of a scanner; FIG. 2 is bottom perspective view thereof; FIG. 3 is a front perspective view thereof; FIG. 4 is a front elevation view thereof; FIG. 5 is a rear elevation view thereof; FIG. 6 is a left side elevation view thereof; FIG. 7 is a right side elevation view thereof; FIG. 8 is a top plan view thereof; and, FIG. 9 is a bottom view thereof.  
Broken lines and unshaded portions contained within broken lines are not claimed.

**1 Claim, 7 Drawing Sheets**



(56)

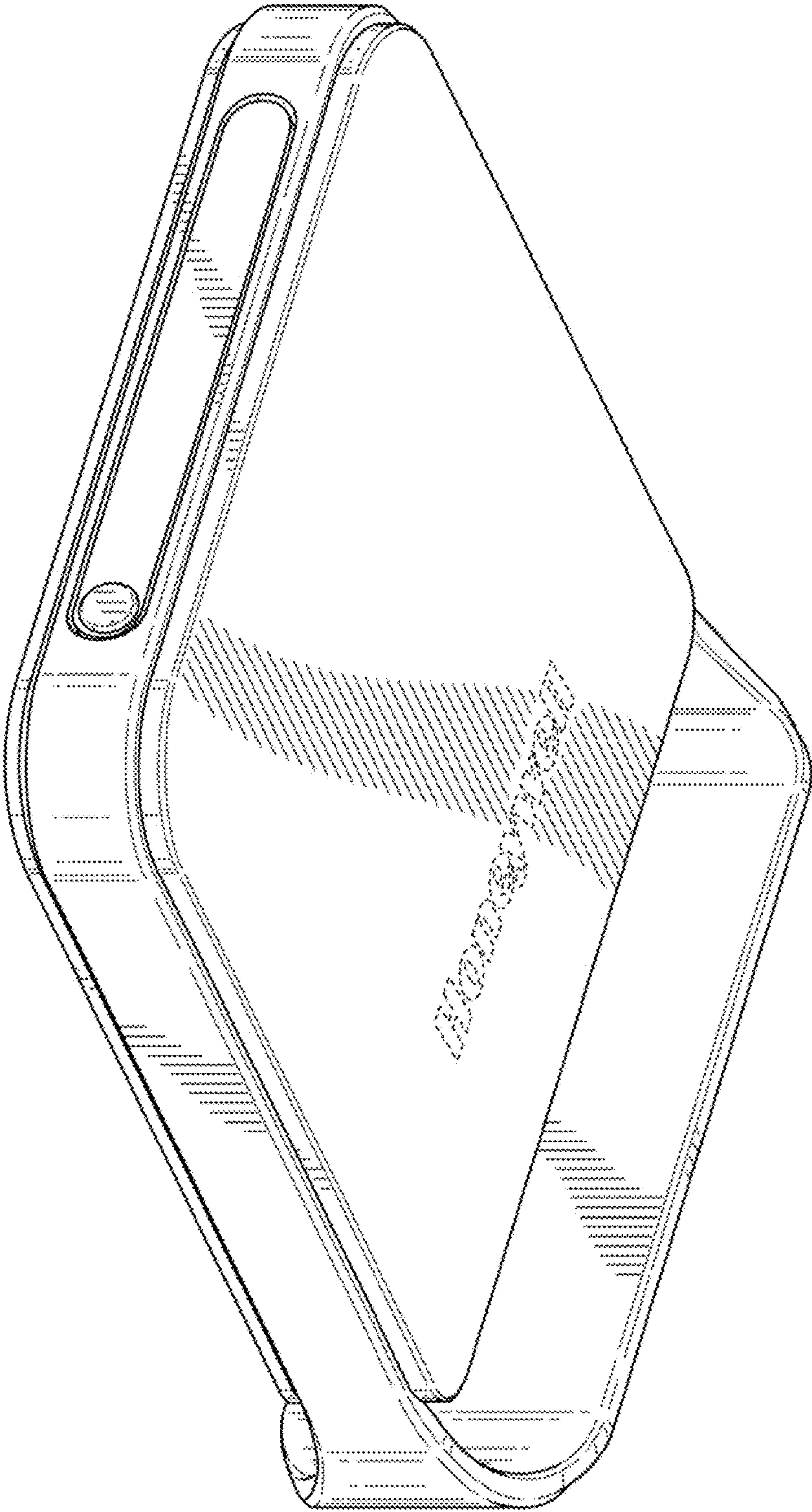
References Cited

U.S. PATENT DOCUMENTS

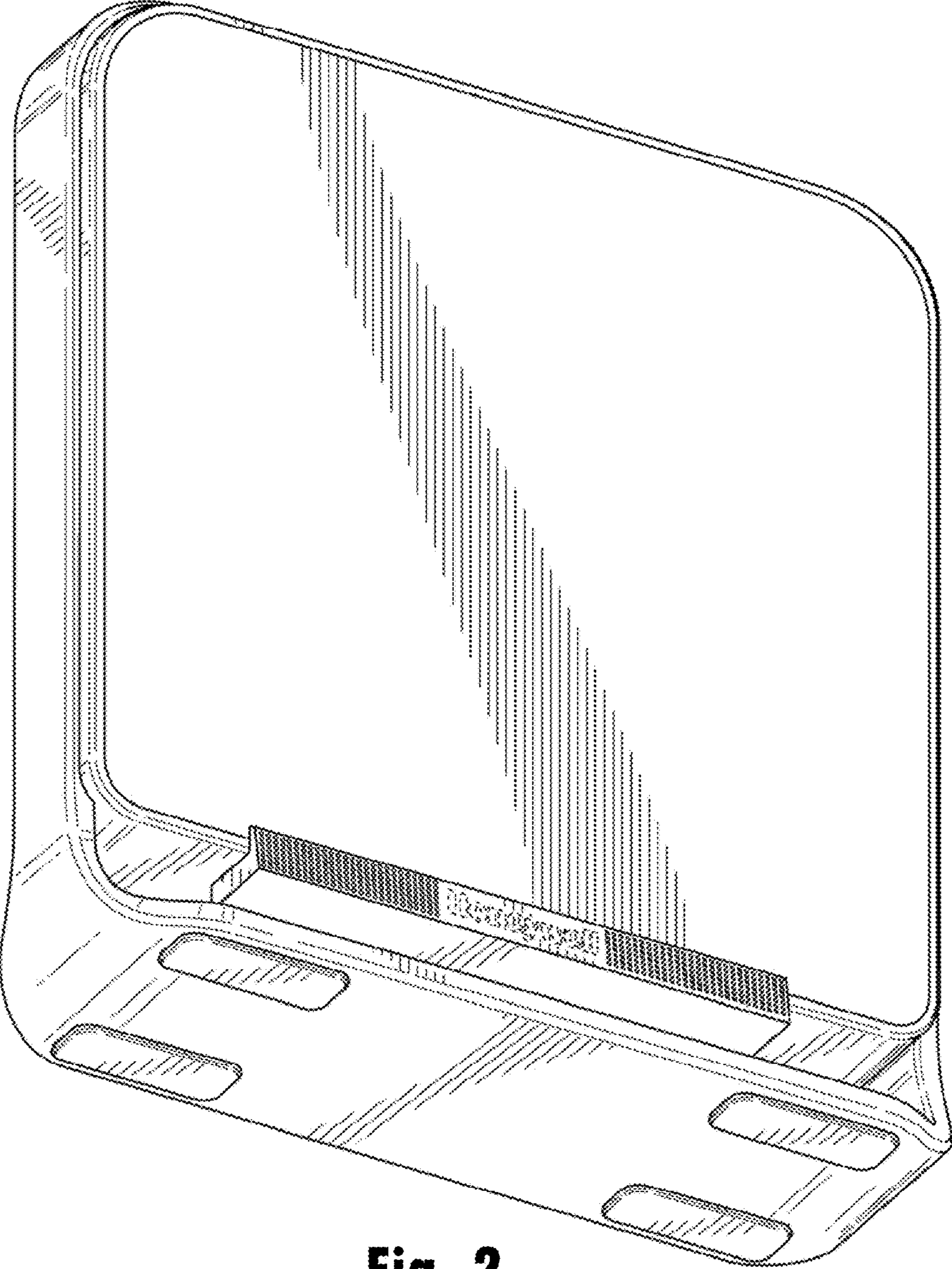
D248,525 S *	7/1978	Eckel	D6/301	D580,933 S *	11/2008	Ju	D14/240
D254,830 S *	4/1980	Wachtel	D6/312	D583,814 S *	12/2008	Maiers	D14/356
D276,012 S *	10/1984	Westcott	D6/301	D598,019 S *	8/2009	Chou	D14/356
D298,625 S *	11/1988	Gore	D14/351	D603,834 S *	11/2009	Lyman	D14/155
D311,730 S *	10/1990	Houghton	D14/311	D611,040 S *	3/2010	Neu	D14/240
D322,900 S *	1/1992	Pursley	D19/91	D619,572 S *	7/2010	Huang	D14/242
D325,729 S *	4/1992	Forsythe	D14/420	D620,953 S *	8/2010	Andre	D14/203.3
5,192,857 A *	3/1993	Detwiler	A47F 9/046 235/462.39	D624,076 S *	9/2010	Huh	D14/366
D351,147 S *	10/1994	Hill	D14/351	D625,308 S *	10/2010	Chen	D14/356
D385,787 S *	11/1997	Takano	D9/423	D626,100 S *	10/2010	Huang	D14/125
D402,122 S *	12/1998	Grant	D6/301	D638,425 S *	5/2011	Ikeda	D14/240
D447,479 S *	9/2001	Tierney	D14/351	D640,646 S *	6/2011	Wu	D14/125
D456,412 S *	4/2002	Khovaylo	D14/420	D641,019 S *	7/2011	Chen	D14/356
D484,129 S *	12/2003	Hyogo	D14/352	D641,363 S *	7/2011	Dublin	D14/356
D491,179 S *	6/2004	Wu	D14/368	D641,364 S *	7/2011	McParland	D14/356
D495,329 S *	8/2004	Peng	D14/352	D649,151 S *	11/2011	Ramones	D14/358
D501,476 S *	2/2005	Quijano	D14/352	D662,904 S *	7/2012	Wu	D14/125
D508,899 S *	8/2005	Suzuki	D14/125	D662,920 S *	7/2012	Neu	D14/240
D510,094 S *	9/2005	Bolton	D14/496	D664,130 S *	7/2012	Lee	D14/240
D513,251 S *	12/2005	Conyers	D14/352	D675,173 S *	1/2013	Paradise	D14/125
D513,750 S *	1/2006	Ko	D14/365	D681,634 S *	5/2013	Chen	D14/351
D514,563 S *	2/2006	Kuramashi	D14/349	D706,778 S *	6/2014	Kawasaki	D14/356
D525,968 S *	8/2006	Peng	D14/300	D707,666 S *	6/2014	Ting	D14/240
D533,148 S *	12/2006	Hong	D14/125	D716,296 S *	10/2014	Drew	D14/349
D541,274 S *	4/2007	Wang	D14/356	D726,295 S *	4/2015	Kim	D23/351
D568,315 S *	5/2008	Yano	D14/358	D729,216 S *	5/2015	Peng	D14/240
D580,423 S *	11/2008	Ju	D14/240	D732,010 S *	6/2015	Hsiau	D14/240
				D734,752 S *	7/2015	Chen	D14/420
				D743,395 S *	11/2015	Chen	D14/385
				2002/0105253 A1 *	8/2002	Diaz	A45C 13/08 312/265.6

\* cited by examiner



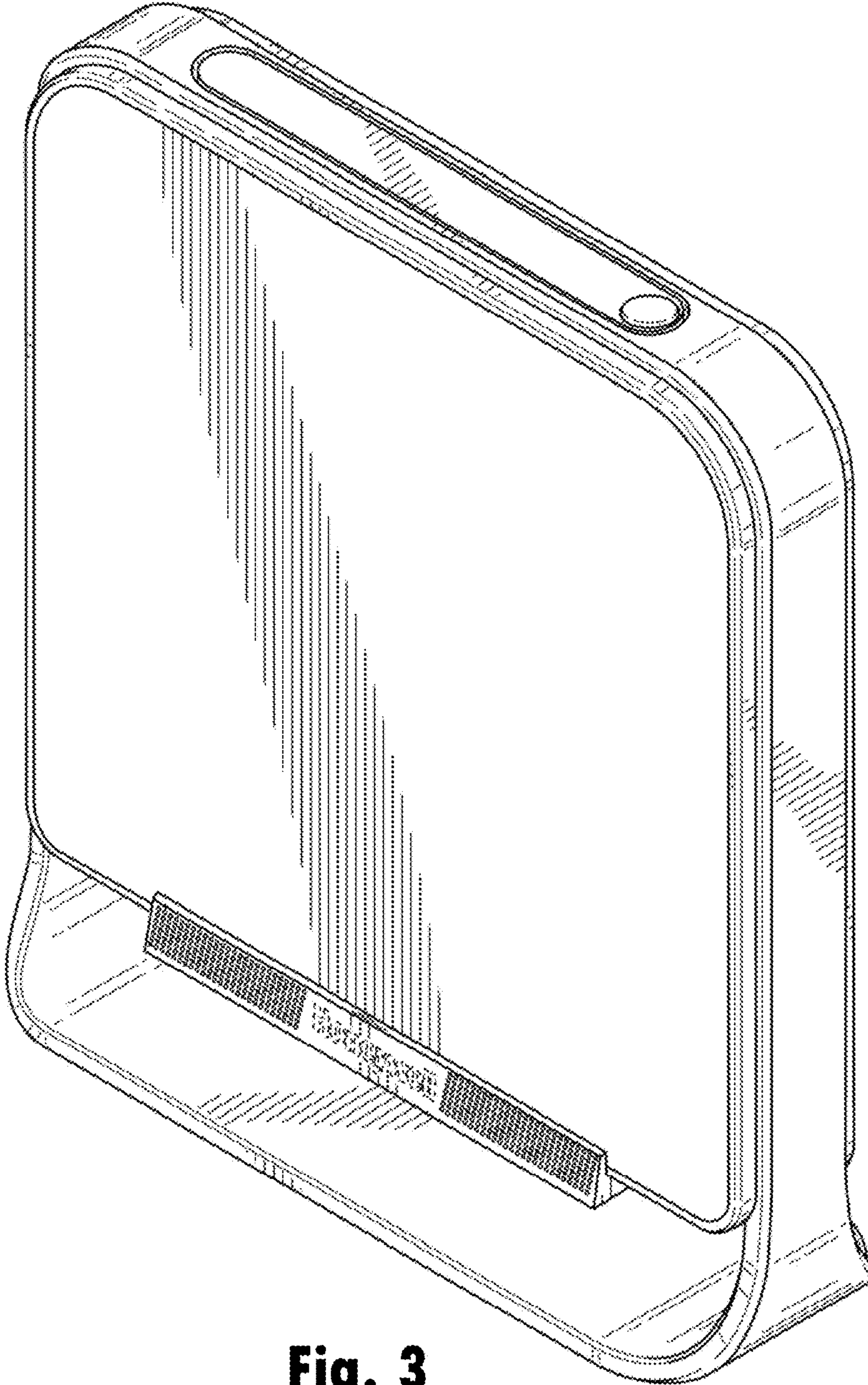


**Fig. 1**

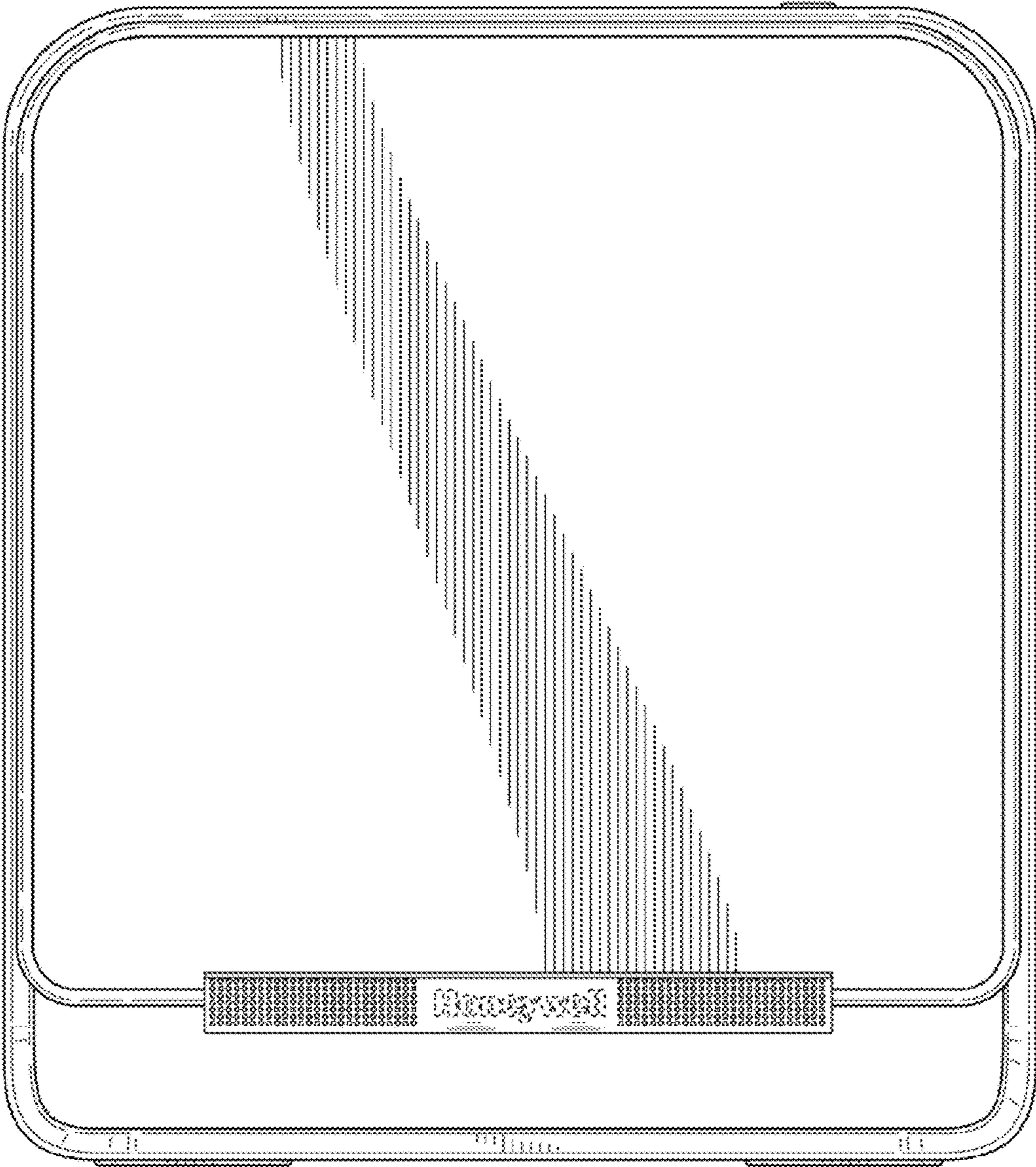


**Fig. 2**

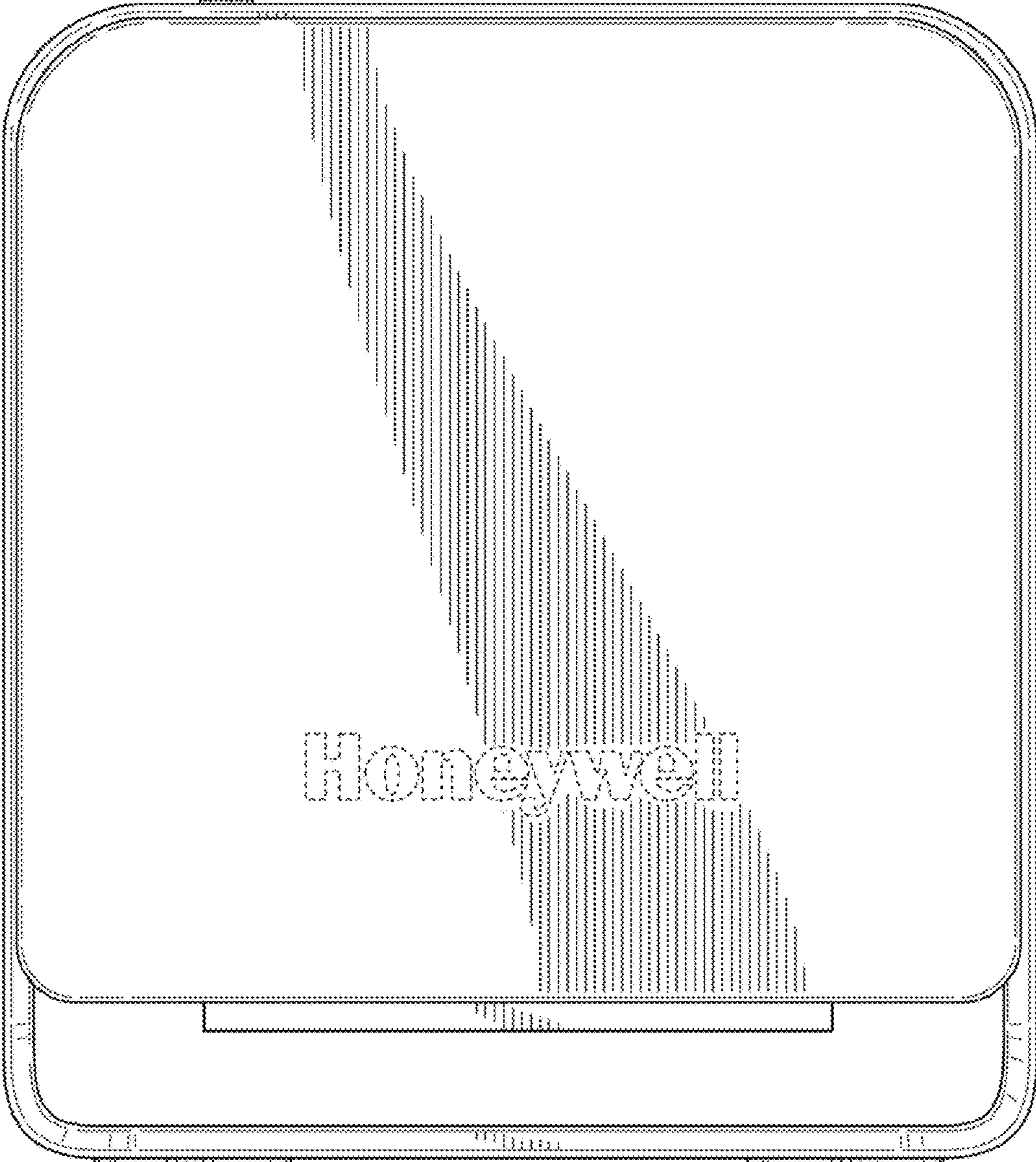




**Fig. 3**

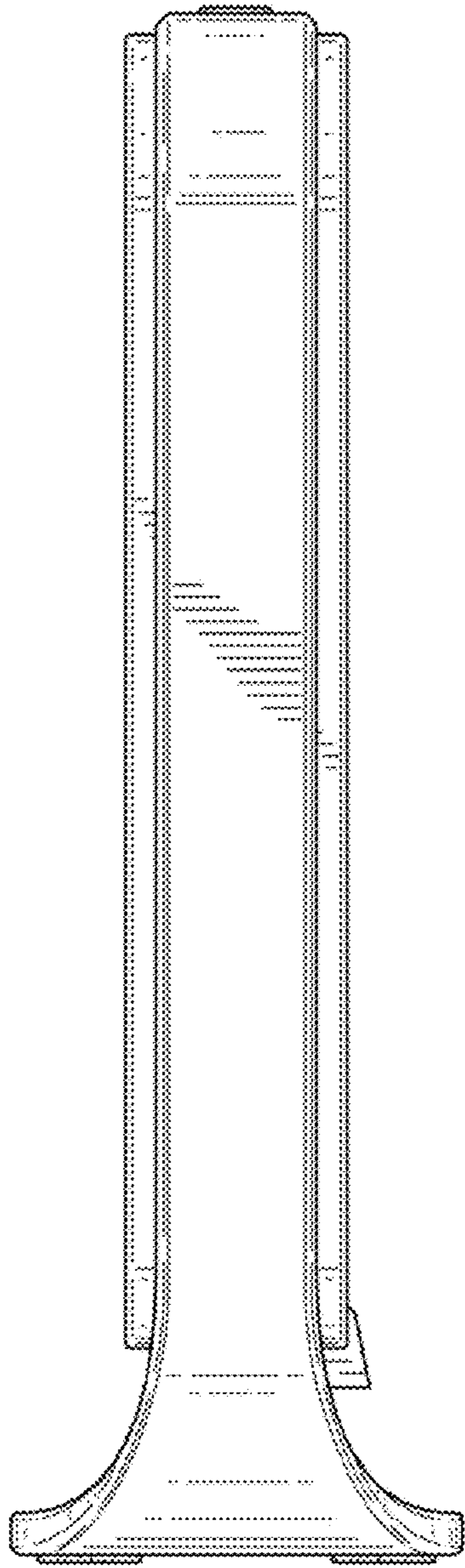


**Fig. 4**

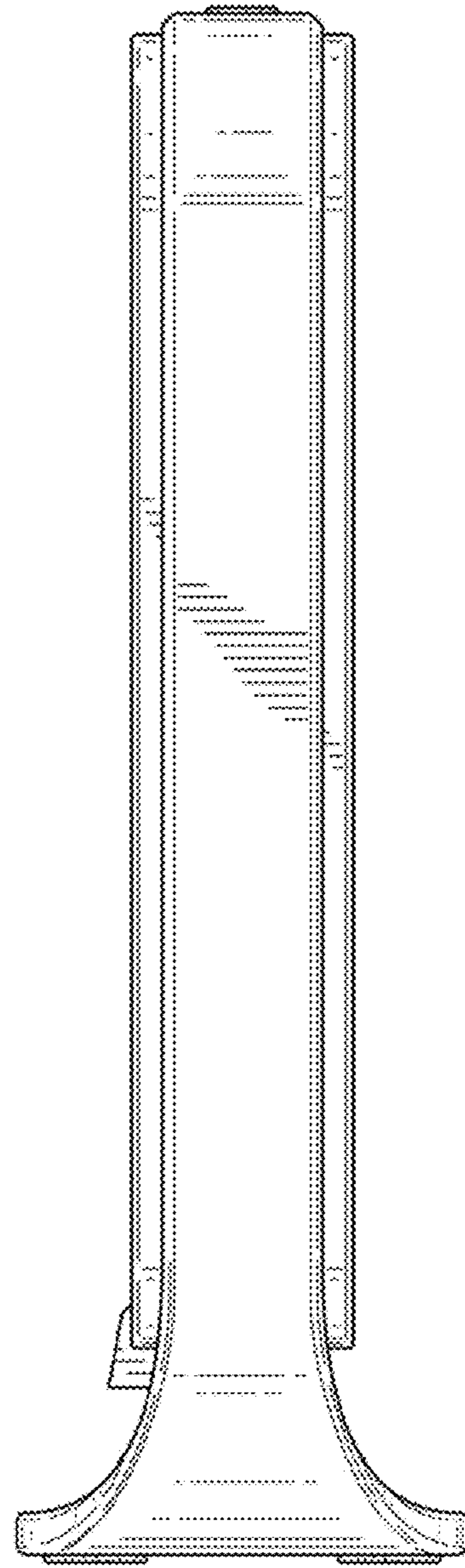


**Fig. 5**



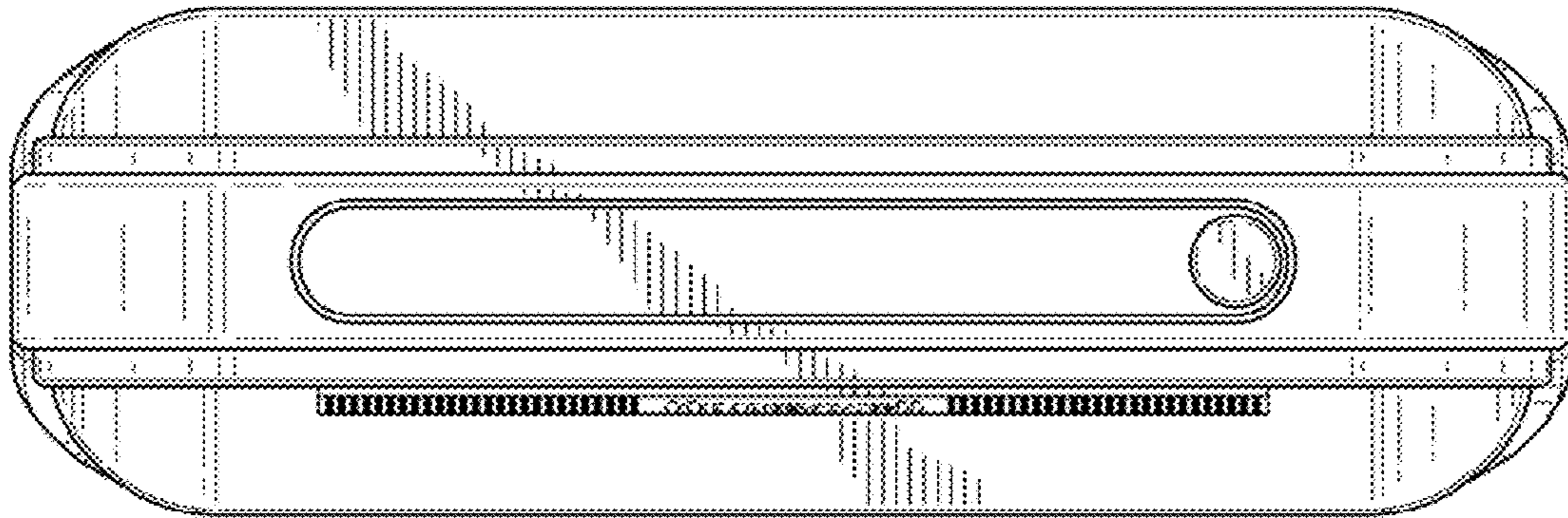


**Fig. 6**

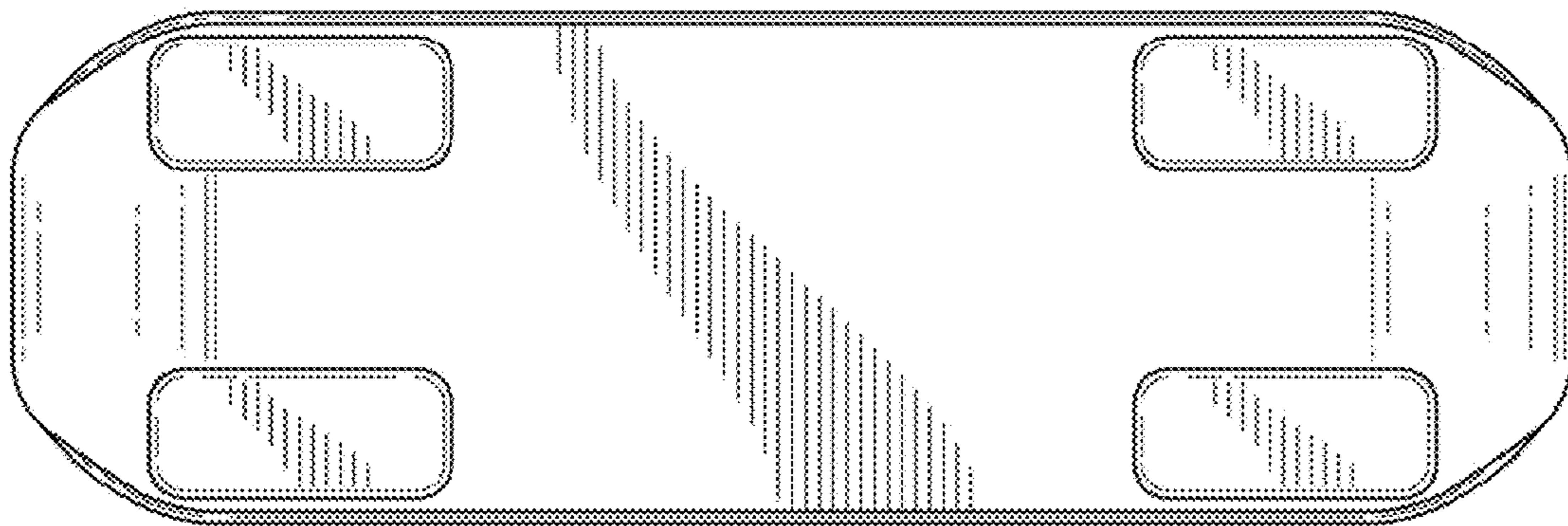


**Fig. 7**





**Fig. 8**



**Fig. 9**