

US00D760717S

(12) **United States Design Patent**
Solomon et al.

(10) **Patent No.:** **US D760,717 S**
(45) **Date of Patent:** **** Jul. 5, 2016**

(54) **WATCH BODY**

(71) Applicant: **Pebble Technology, Corp.**, Redwood City, CA (US)

(72) Inventors: **Mark Charles Solomon**, San Jose, CA (US); **Christopher Paul Ioffreda**, San Francisco, CA (US); **Andrew James Witte**, Palo Alto, CA (US); **Steven William Johns**, Vancouver (CA); **Sean E. Daley**, San Jose, CA (US); **Nicholas Harold Ford**, Kitchener (CA); **Troy Garrett Tye**, San Jose, CA (US)

(73) Assignee: **Pebble Technology, Corp.**, Palo Alto, CA (US)

(**) Term: **15 Years**

(21) Appl. No.: **29/548,667**

(22) Filed: **Dec. 15, 2015**

Related U.S. Application Data

(63) Continuation of application No. 29/533,825, filed on Jul. 22, 2015.

(51) **LOC (10) Cl.** **14-02**

(52) **U.S. Cl.**
USPC **D14/344**

(58) **Field of Classification Search**

USPC D14/344, 358, 138 R, 144; D24/167, D24/169, 186-187; D11/3, 93-94; D10/70, D10/98, 30-32, 38-39

CPC H04B 1/03; H04B 1/385; G04G 9/00; G04G 17/00; G04G 17/04; G04G 17/06; G04G 17/083; H04M 1/0227; H04M 1/03; H04M 1/04; G08G 1/096883; G08G 1/096872; G08G 1/096775; G01C 21/16;

G01C 21/3688; G01C 21/30; G01V 8/20; G01J 5/02; G01J 5/023; G01J 5/24; G01J 5/10; G01J 5/20; G01J 5/0235; G01J 5/08; G01J 5/0853; A44C 5/00; G04B 37/0008

See application file for complete search history.

(56) **References Cited**

U.S. PATENT DOCUMENTS

D244,086 S 4/1977 Lawrence
D244,707 S 6/1977 Tjep
D244,761 S 6/1977 Sulek

(Continued)

OTHER PUBLICATIONS

U.S. Appl. No. 29/533,825, filed Jul. 22, 2015, Solomon.

Primary Examiner — Barbara Fox

(74) *Attorney, Agent, or Firm* — Rutan & Tucker, LLP

(57) **CLAIM**

The ornamental design for a watch body, as shown and described.

DESCRIPTION

FIG. 1 is a perspective view showing a front of a watch body according to our new design;

FIG. 2 is a perspective view showing a back of the watch body;

FIG. 3 is a plan view of the front of the watch body;

FIG. 4 is a plan view of a back of the watch body;

FIG. 5 is an elevational view of a right side of the watch body;

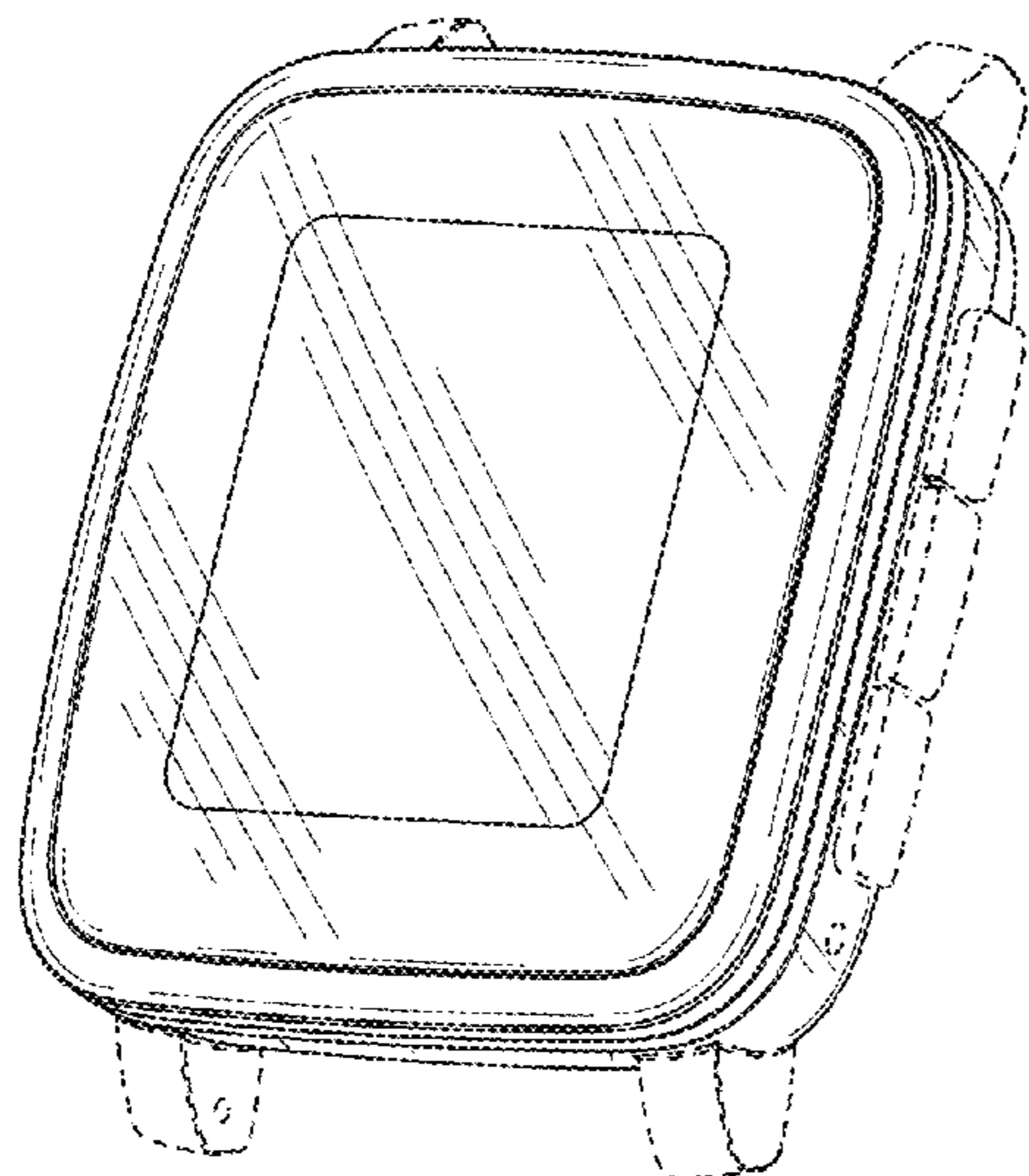
FIG. 6 is an elevational view of a left side of the watch body;

FIG. 7 is an end view of a top end of the watch body; and,

FIG. 8 is an end view of a bottom end of the watch body.

The broken lines shown in the drawings represent portions of the watch body that form no part of the claimed design.

1 Claim, 3 Drawing Sheets



(56)

References Cited

U.S. PATENT DOCUMENTS

| | | | | | | |
|--------------|---------|-------------------|-------------------|---------|--------------------|---------------------------|
| D245,074 S | 7/1977 | Karibe et al. | D508,418 S | 8/2005 | Kraft | |
| D246,164 S | 10/1977 | Koehler | D528,928 S * | 9/2006 | Burton | D10/38 |
| D246,765 S | 12/1977 | Sulek | D568,181 S | 5/2008 | Rabassa | |
| D247,133 S | 1/1978 | Tiep | D582,295 S | 12/2008 | Schoepfer | |
| D247,701 S | 4/1978 | Kwon | D594,875 S | 6/2009 | Sheba | |
| D249,874 S | 10/1978 | Lawrence | D597,993 S | 8/2009 | Garnham | |
| D250,881 S | 1/1979 | Liautand | D603,827 S | 11/2009 | Tompkin | |
| D251,773 S | 5/1979 | Morabito | D611,019 S | 3/2010 | Garnham | |
| D255,224 S | 6/1980 | Sulek et al. | D616,875 S | 6/2010 | Oh | |
| D255,877 S | 7/1980 | Yamagami | D628,498 S * | 12/2010 | Arellano | D10/38 |
| D259,626 S | 6/1981 | Wada | D636,686 S | 4/2011 | Cobbett et al. | |
| D261,731 S | 11/1981 | Yamagami et al. | D638,819 S | 5/2011 | Shum | |
| D261,732 S | 11/1981 | Yamagami et al. | D645,360 S * | 9/2011 | Kiser | D10/32 |
| D261,733 S * | 11/1981 | Iida | D648,298 S * | 11/2011 | Pierce | D14/138 G |
| D261,994 S | 11/1981 | Yamagami et al. | D655,631 S * | 3/2012 | Ruefenacht | D10/39 |
| D264,946 S | 6/1982 | Hirabayashi | D667,126 S | 9/2012 | Cho et al. | |
| D265,063 S | 6/1982 | Iida | D672,667 S | 12/2012 | Mix | |
| D265,295 S | 7/1982 | Wada | D677,255 S | 3/2013 | McManigal | |
| D267,548 S | 1/1983 | Wada | D693,251 S * | 11/2013 | Anderssen | D10/65 |
| D269,767 S | 7/1983 | Houlihan et al. | D701,504 S | 3/2014 | Christopher et al. | |
| D269,951 S | 8/1983 | Eberhardt et al. | D703,204 S | 4/2014 | Riddiford et al. | |
| D270,244 S | 8/1983 | McCormick | D705,201 S | 5/2014 | Isaacs | |
| D277,829 S | 3/1985 | Legér | D705,673 S * | 5/2014 | Arellano | D10/38 |
| D278,685 S | 5/1985 | Suzuki et al. | D709,873 S | 7/2014 | Aumiller | |
| D279,081 S | 6/1985 | Suzuki et al. | D714,288 S * | 9/2014 | Aumiller | D14/344 |
| D283,014 S | 3/1986 | Suzuki et al. | D717,678 S * | 11/2014 | Anderssen | D10/70 |
| 4,825,427 A | 4/1989 | Wollman | D719,123 S * | 12/2014 | Park | D10/38 |
| D312,416 S | 11/1990 | Braum | D720,511 S * | 12/2014 | Shin | D32/21 |
| 5,005,161 A | 4/1991 | Boilen | D723,552 S | 3/2015 | Clegg | |
| D324,340 S | 3/1992 | Houlihan | D724,556 S | 3/2015 | Choi | |
| D324,341 S | 3/1992 | Houlihan | D725,072 S | 3/2015 | Kim | |
| D345,926 S | 4/1994 | Houlihan | D726,680 S * | 4/2015 | Kim | D10/37 |
| D346,558 S | 5/1994 | Hiromorri | D729,237 S * | 5/2015 | Fagnot | D14/344 |
| D366,036 S | 1/1996 | Houlihan | D729,653 S | 5/2015 | Nuovo | |
| D382,492 S | 8/1997 | Houlihan | D729,670 S * | 5/2015 | Nuovo | D10/103 |
| D386,428 S | 11/1997 | Toribio | D732,512 S | 6/2015 | Fariello | |
| D386,694 S | 11/1997 | Houlihan | D737,156 S | 8/2015 | Akana | |
| D387,998 S | 12/1997 | Ramos, Jr. et al. | D737,157 S | 8/2015 | Akana | |
| D389,752 S | 1/1998 | Riley | D737,158 S | 8/2015 | Akana | |
| D419,899 S | 2/2000 | Levar | D737,159 S | 8/2015 | Akana | |
| D427,081 S | 6/2000 | Hiramatsu | D743,278 S * | 11/2015 | Solomon | D10/38 |
| D441,305 S | 5/2001 | Modolo | D745,005 S * | 12/2015 | Kim | D10/38 |
| D469,030 S | 1/2003 | Krakoff | D745,515 S * | 12/2015 | Solomon | D14/344 |
| D494,070 S | 8/2004 | Debetaz | 2015/0131216 A1 * | 5/2015 | Huang | H02J 7/0045 361/679.03 |

* cited by examiner

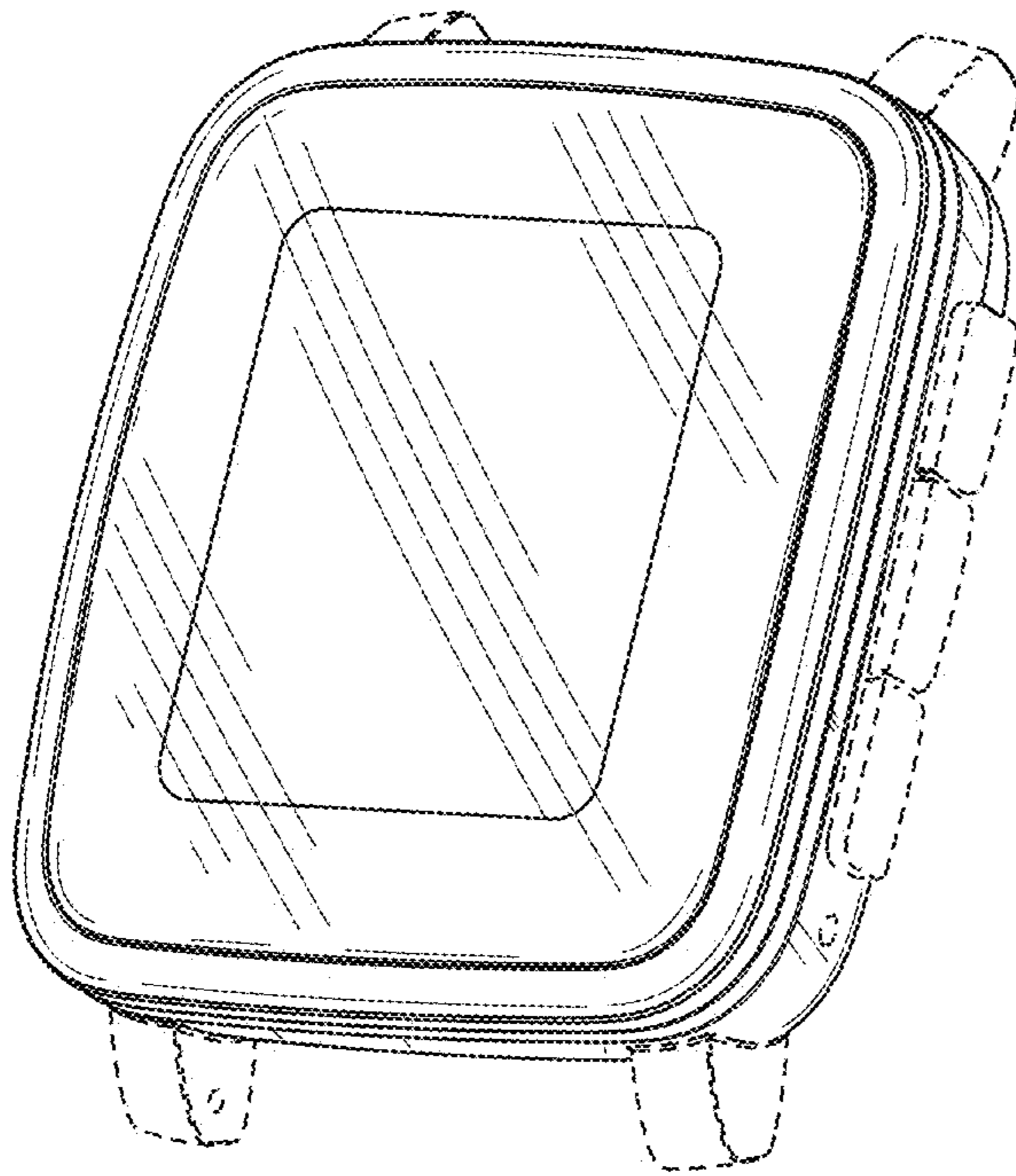


FIG. 1



FIG. 2

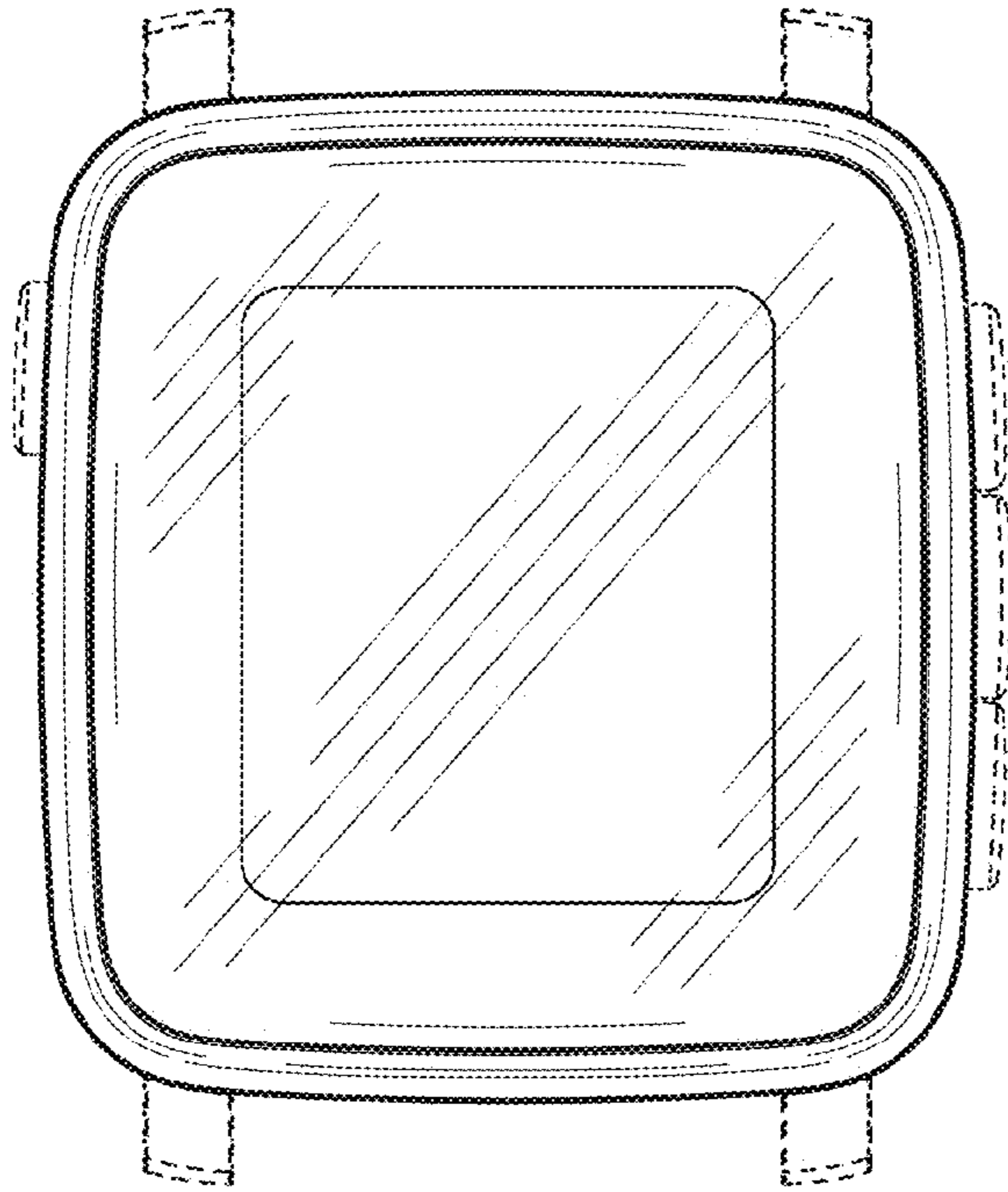


FIG. 3

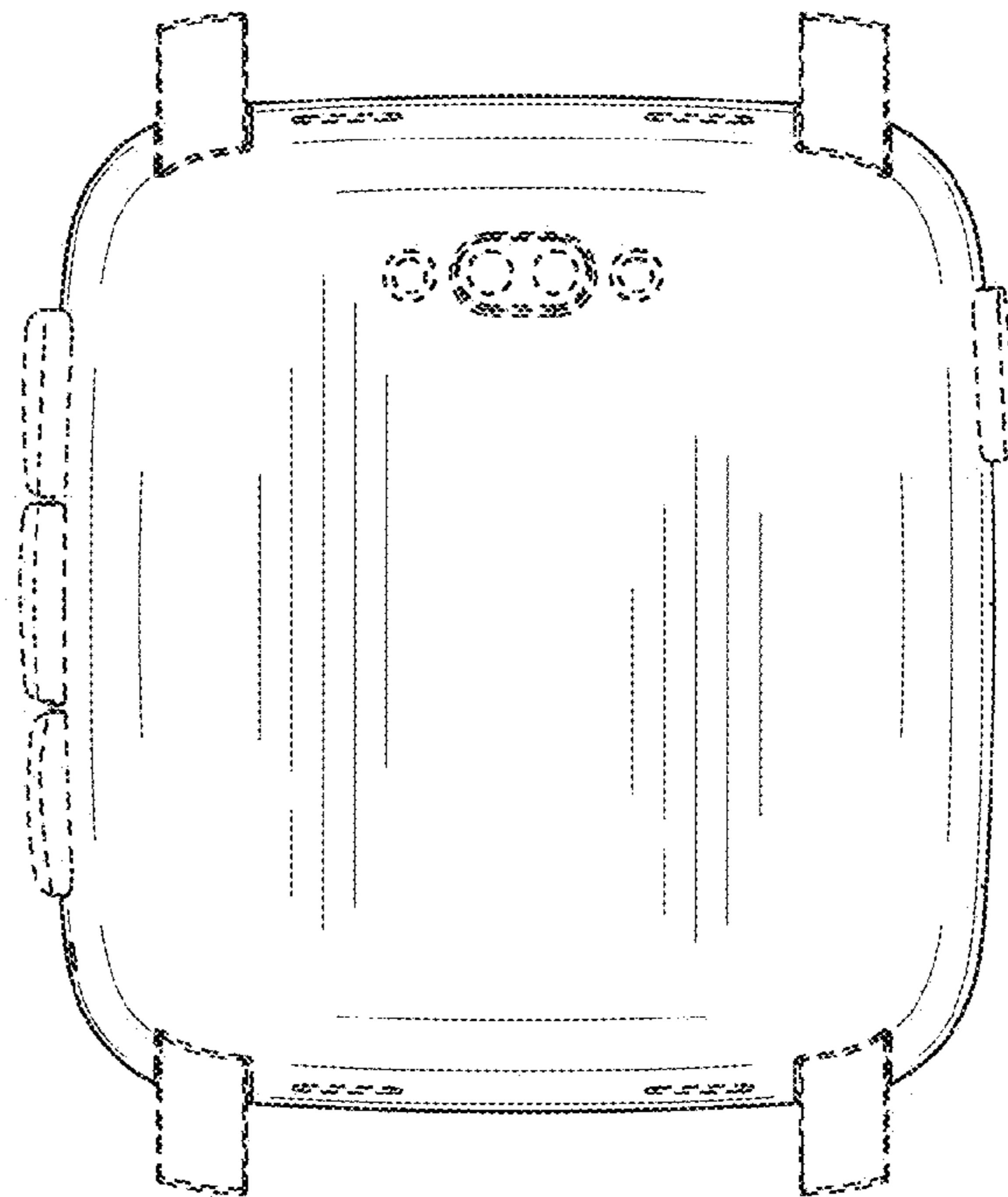


FIG. 4

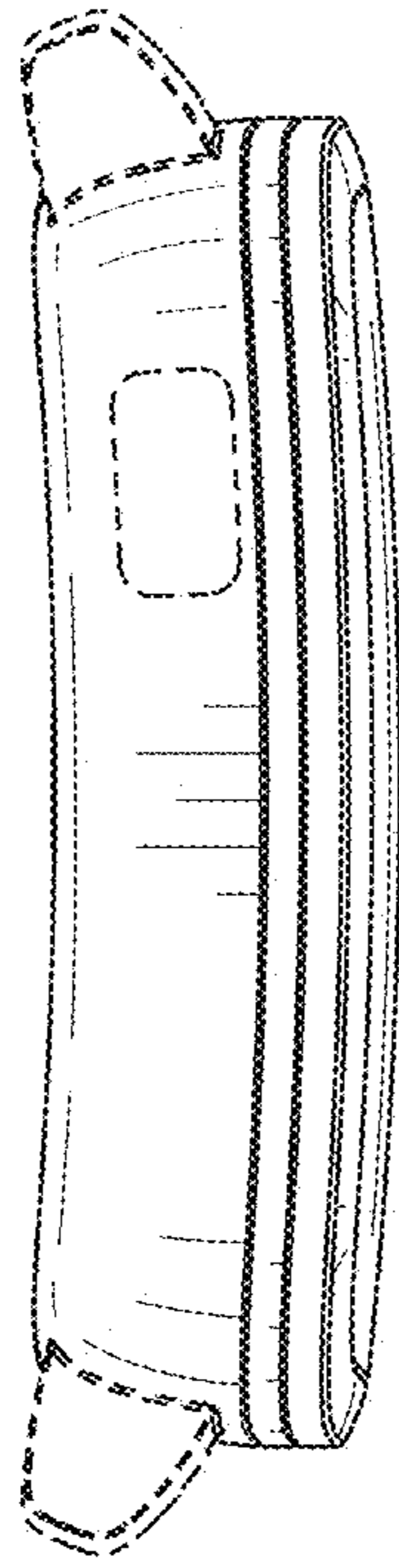


FIG. 5

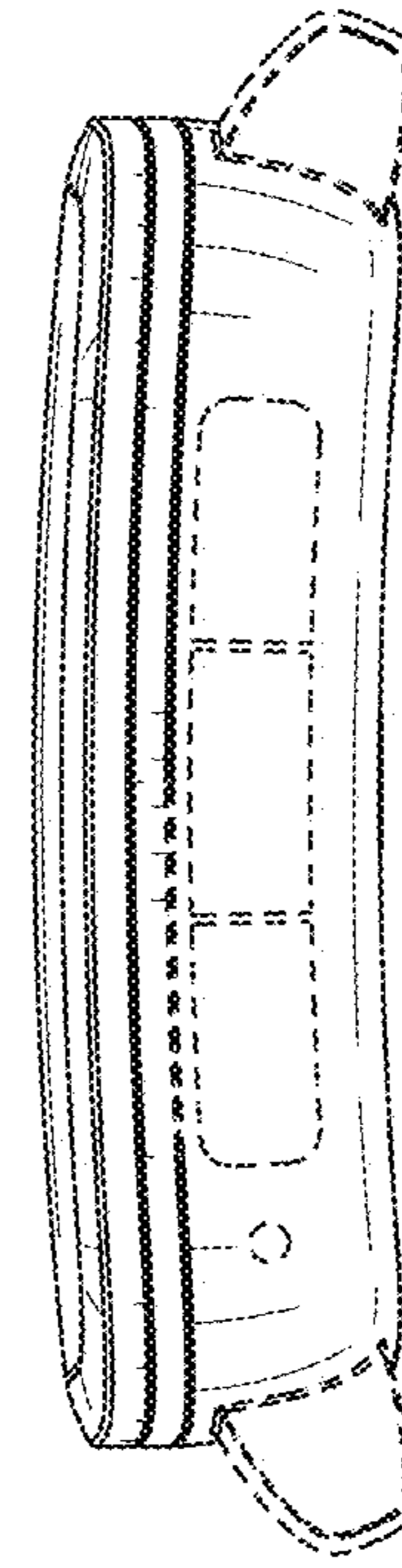


FIG. 6

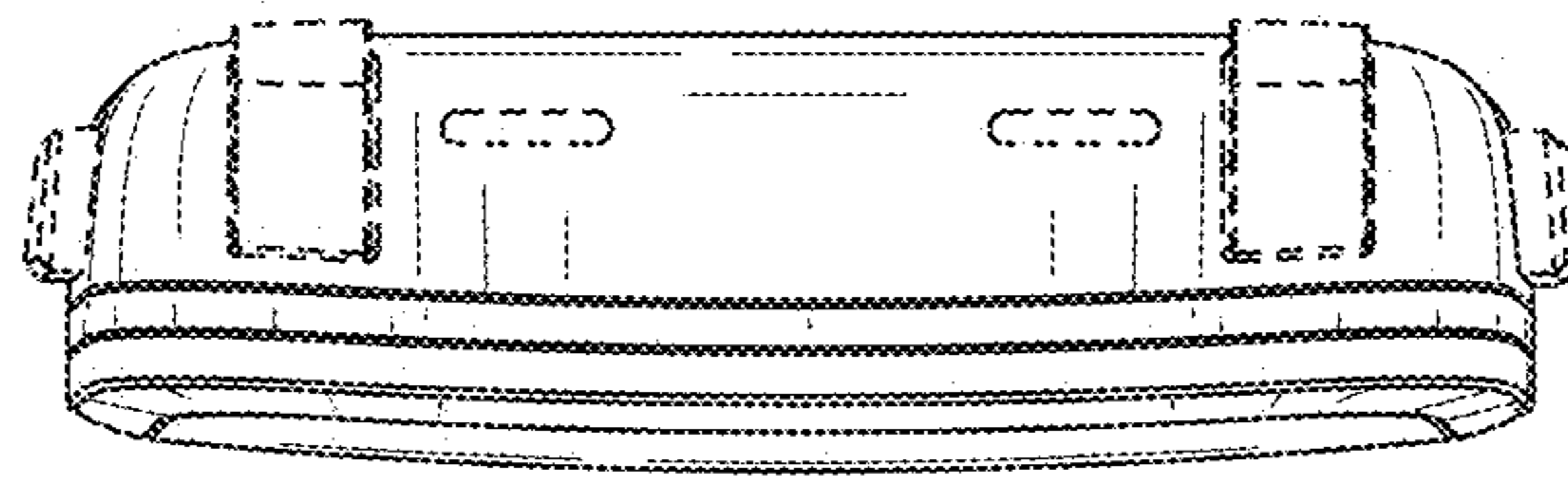


FIG. 7

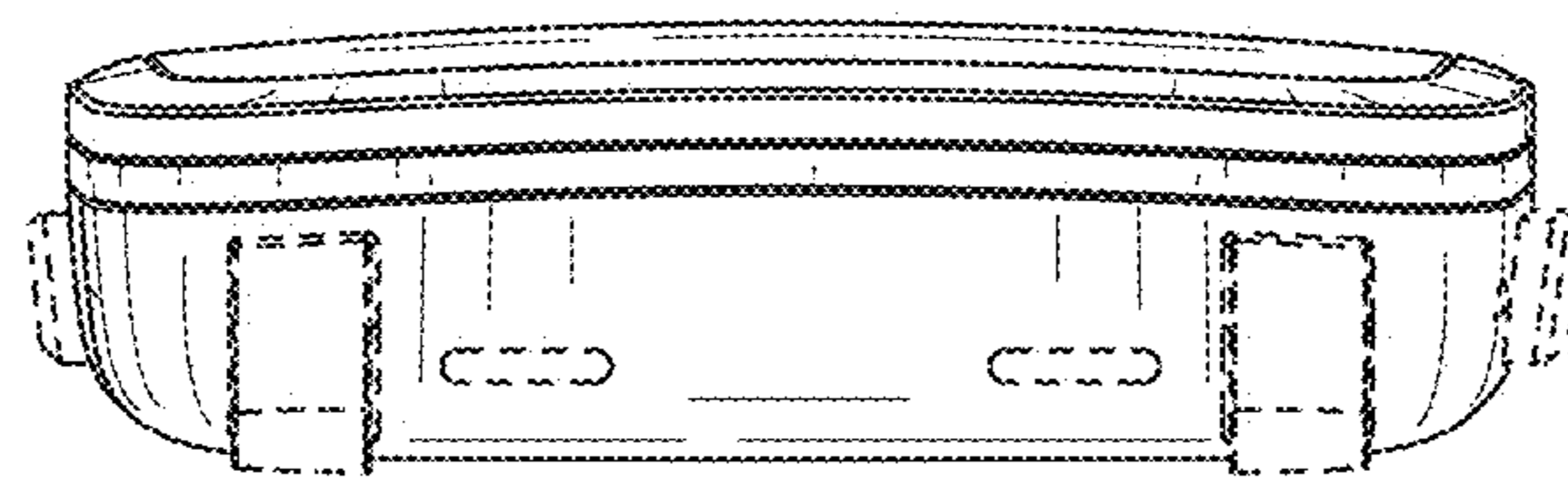


FIG. 8