



US00D760715S

(12) **United States Design Patent**
Chang et al.

(10) **Patent No.:** **US D760,715 S**
(45) **Date of Patent:** **** *Jul. 5, 2016**

(54) **TABLET COMPUTING DEVICE**

- (71) Applicant: **Amazon Technologies, Inc.**, Reno, NV (US)
- (72) Inventors: **Shih-Tao Chang**, Sunnyvale, CA (US); **Jonathan Howard Biddle**, San Francisco, CA (US); **Christopher Green**, San Francisco, CA (US)
- (73) Assignee: **Amazon Technologies, Inc.**, Seattle, WA (US)

(*) Notice: This patent is subject to a terminal disclaimer.

(**) Term: **14 Years**

(21) Appl. No.: **29/501,373**

(22) Filed: **Sep. 3, 2014**

(51) **LOC (10) Cl.** **14-03**

(52) **U.S. Cl.**
USPC **D14/341**; D14/203.7; D14/496

(58) **Field of Classification Search**
USPC D14/496, 203.3, 203, 7, 341-347, D14/138 R, 138 AA, 138 C, 138 G, 218, 248; 273/148 B; 463/1, 29-35, 46, 47; 345/156, 901, 905; 379/433.04, 379/433.01, 916; 361/679.55, 679.56; 455/556.1, 556.2, 566, 575.1, 90.3
CPC . H04M 1/00; H04M 11/066; H04M 2201/38; G06F 15/00; A63F 13/00; A63F 13/09
See application file for complete search history.

(56) **References Cited**

U.S. PATENT DOCUMENTS

- 2,424,630 A * 7/1947 Perez B43L 5/02 33/443
- 7,299,580 B2 * 11/2007 Wang F16M 11/10 248/461

(Continued)

OTHER PUBLICATIONS

The Canadian Office Action mailed Jun. 18, 2015 for Canadian design application No. 161106, a counterpart foreign application of design U.S. Appl. No. 29/501,373, 1 page.

(Continued)

Primary Examiner — Prabhakar Deshmukh
(74) *Attorney, Agent, or Firm* — Lee & Hayes, PLLC

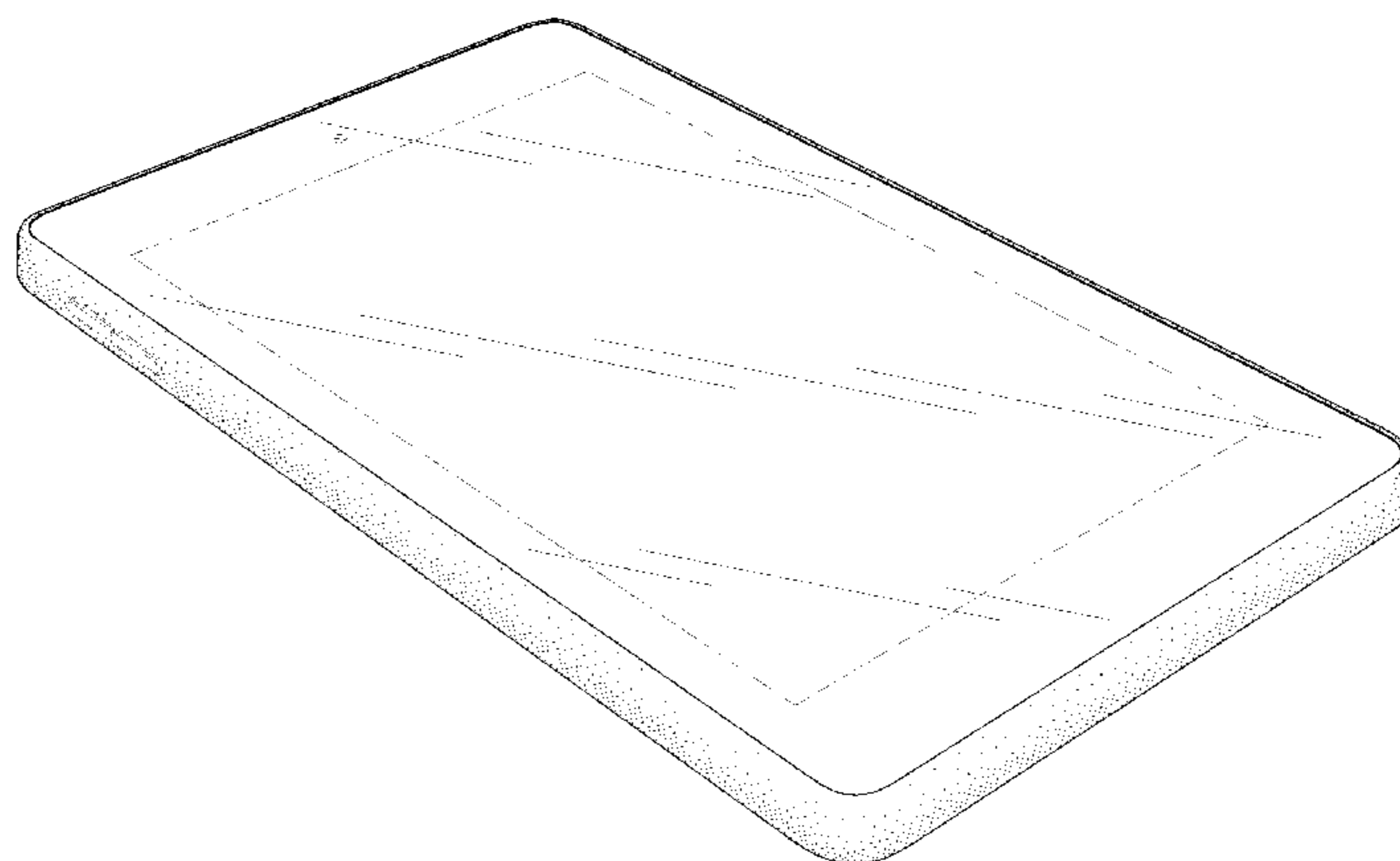
(57) **CLAIM**
The ornamental design for a tablet computing device, as shown and described.

DESCRIPTION

FIG. 1 is a top perspective view of a tablet computing device showing our new design;
FIG. 2 is a bottom perspective view thereof;
FIG. 3 is a top plan view thereof;
FIG. 4 is a bottom plan view thereof;
FIG. 5 is a left side elevational view thereof;
FIG. 6 is a right side elevational view thereof;
FIG. 7 is a rear elevational view thereof;
FIG. 8 is a front elevational view thereof;
FIG. 9 is a top perspective view of a second embodiment of a tablet computing device showing our new design;
FIG. 10 is a bottom perspective view of FIG. 9;
FIG. 11 is a top plan view of FIG. 9;
FIG. 12 is a bottom plan view of FIG. 9;
FIG. 13 is a left side elevational view of FIG. 9;
FIG. 14 is a right side elevational view of FIG. 9;
FIG. 15 is a rear elevational view of FIG. 9; and,
FIG. 16 is a front elevational view of FIG. 9.

It is understood that the stippling on the rear and sides of the embodiment (FIGS. 1-8) indicate textured surface finish, the oblique lines on the front of the embodiment (FIGS. 1-8) indicate glass-like surface finish, and the omission of stippling and oblique lines of the embodiment (FIGS. 1-8) on a bezel disposed around a perimeter of the rear indicate a glassy surface finish. The broken lines indicate unclaimed portions and form no part of the claimed design.

1 Claim, 12 Drawing Sheets



(56)

References Cited

U.S. PATENT DOCUMENTS

D599,342 S * 9/2009 Andre D14/203.7
D602,014 S * 10/2009 Andre D14/341
D633,092 S * 2/2011 Andre D14/341
D644,218 S * 8/2011 Akana D14/250
8,248,791 B2 * 8/2012 Wang F16M 11/10
248/188.8
D669,071 S * 10/2012 Akana D14/341
D671,937 S * 12/2012 Akana D14/341
D673,148 S * 12/2012 Akana D14/341
D710,352 S * 8/2014 Lee D14/341
D716,798 S * 11/2014 Kurimoto D14/341

OTHER PUBLICATIONS

The Indian Office Action mailed May 26, 2015 for Indian patent application No. 270028, a counterpart foreign application of U.S. Appl. No. 29/501,373, 27 pages.
The Chinese Office Action mailed Jun. 25, 2015 for Chinese design application No. 201530052584.2, a counterpart foreign application of design U.S. Appl. No. 29/501,373, 1 page.

* cited by examiner

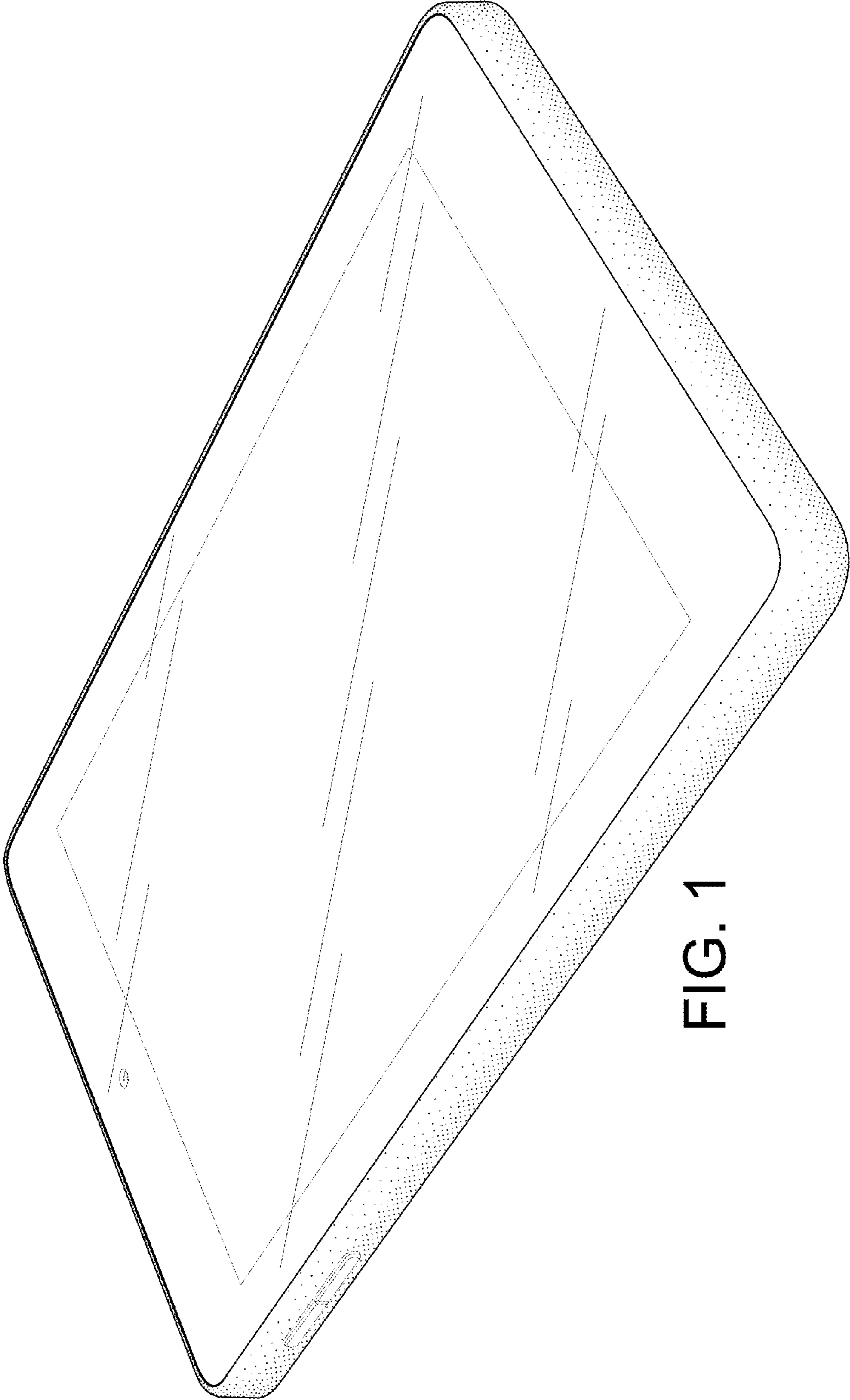


FIG. 1

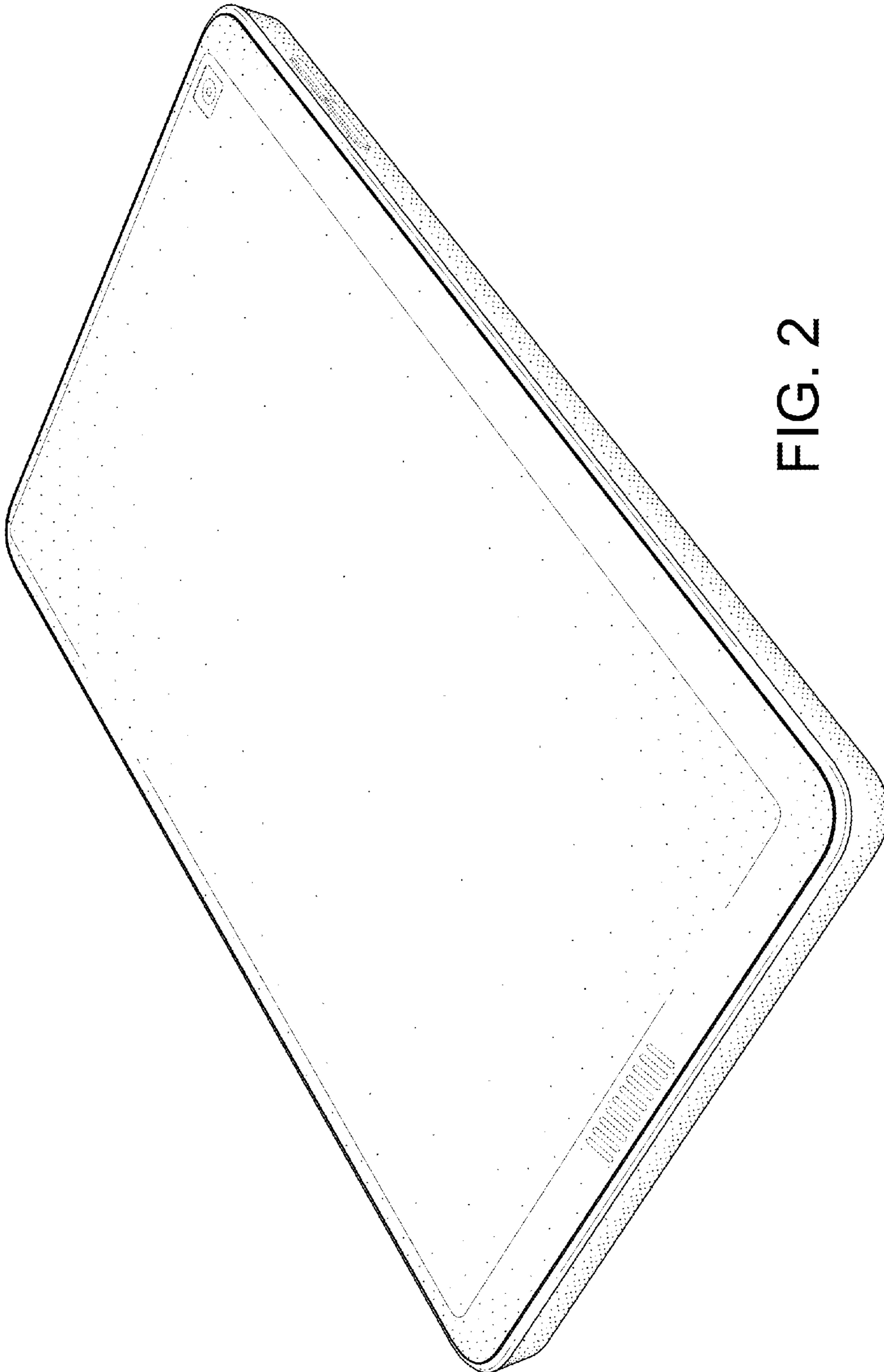


FIG. 2

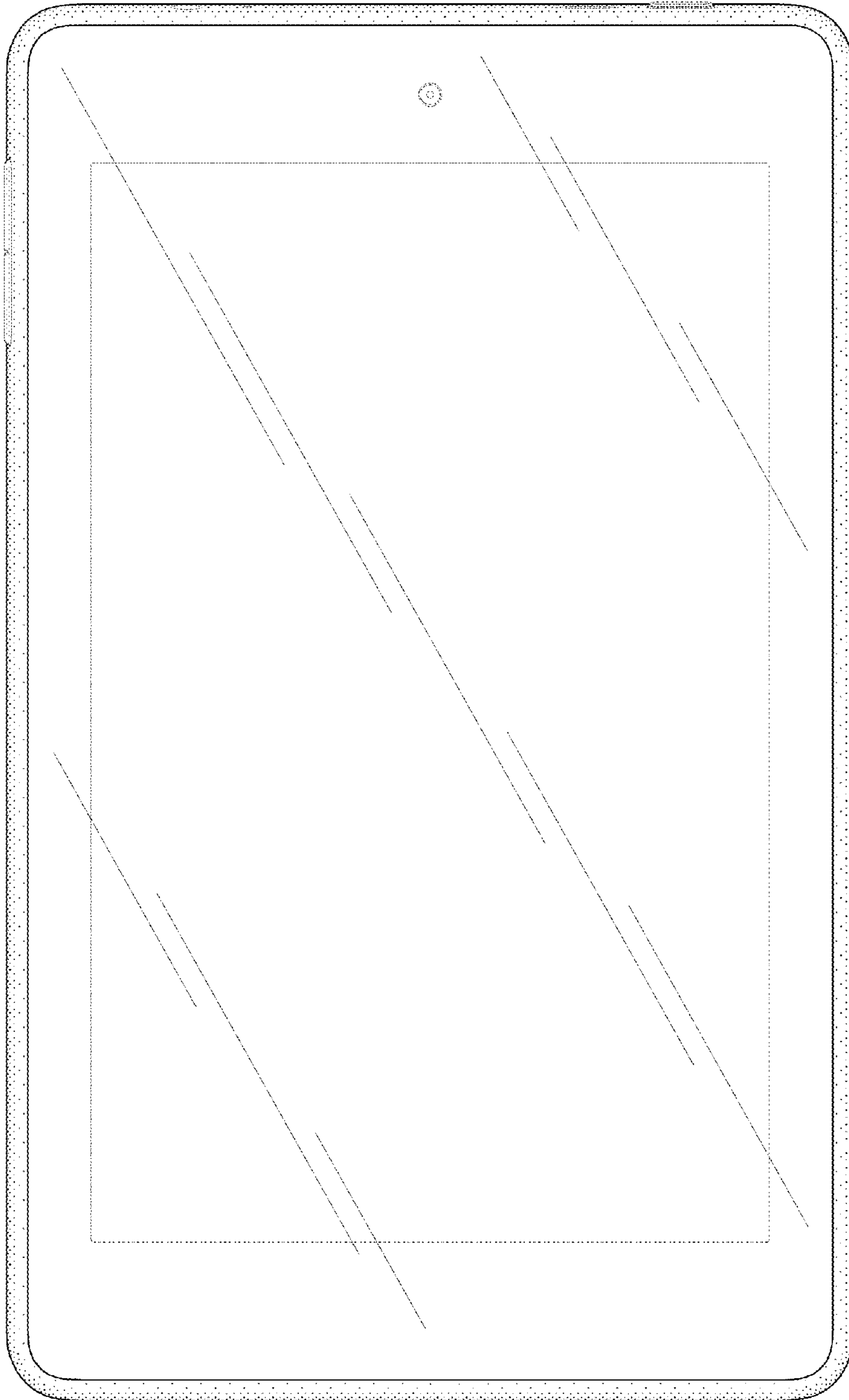


FIG. 3

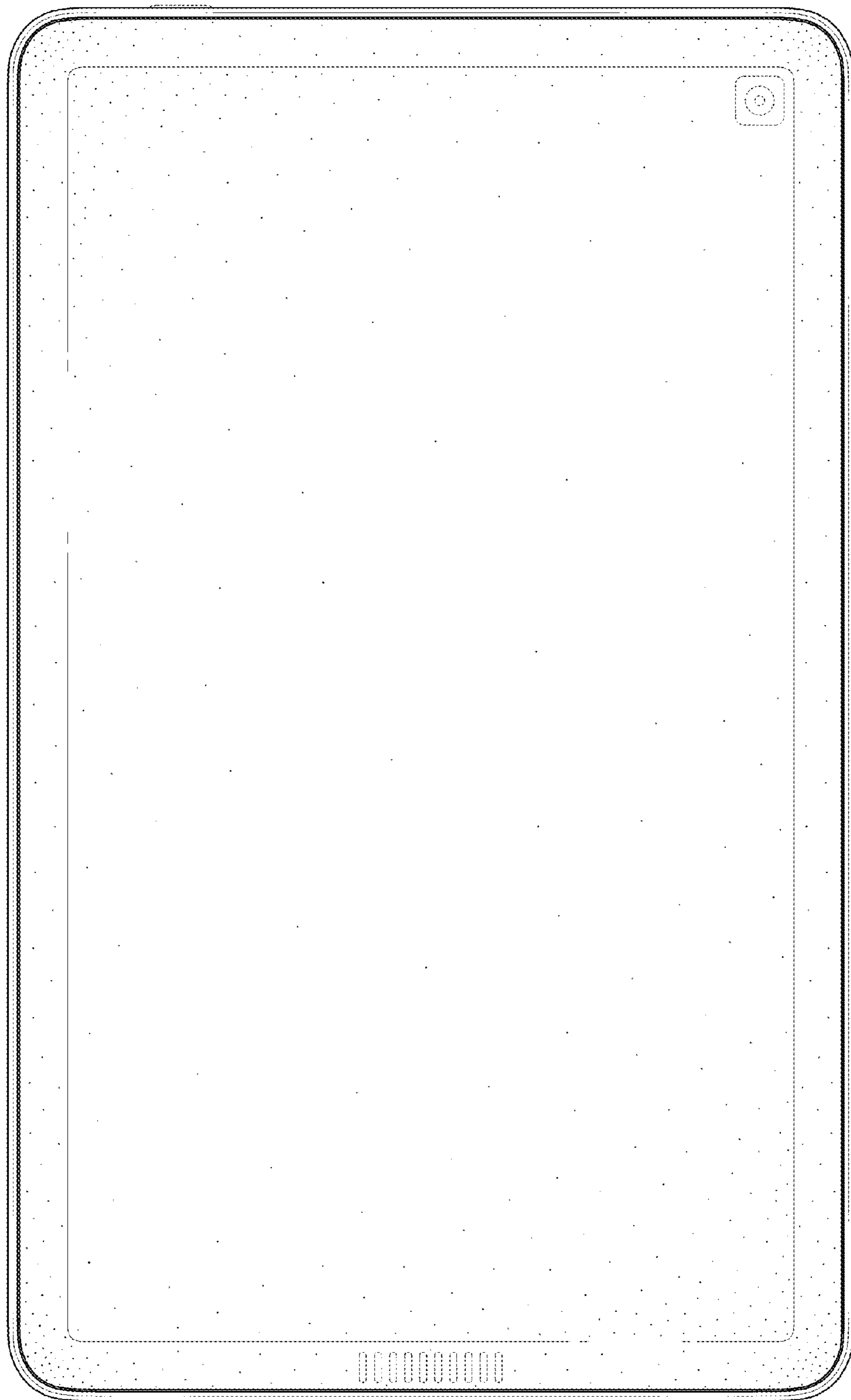


FIG. 4

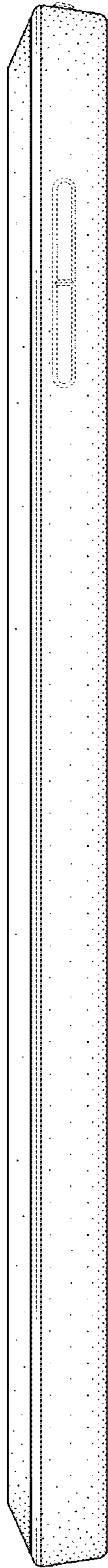


FIG. 5

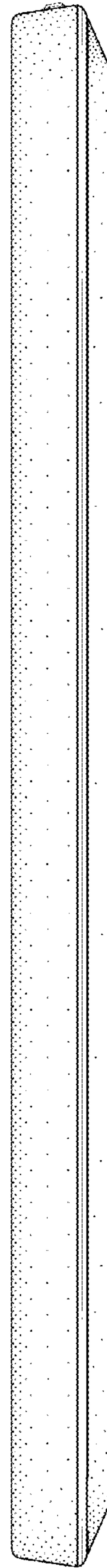


FIG. 6

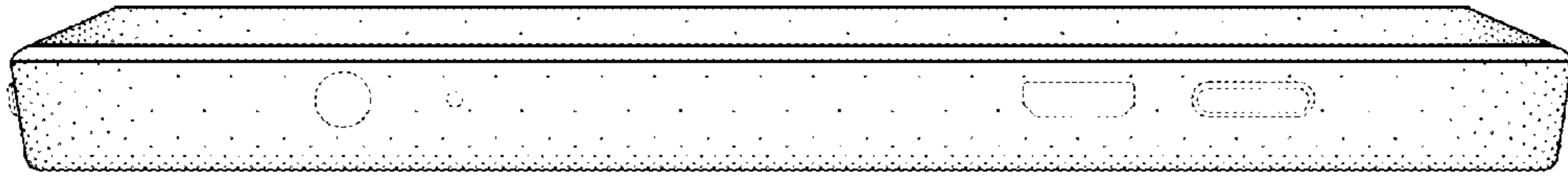


FIG. 7

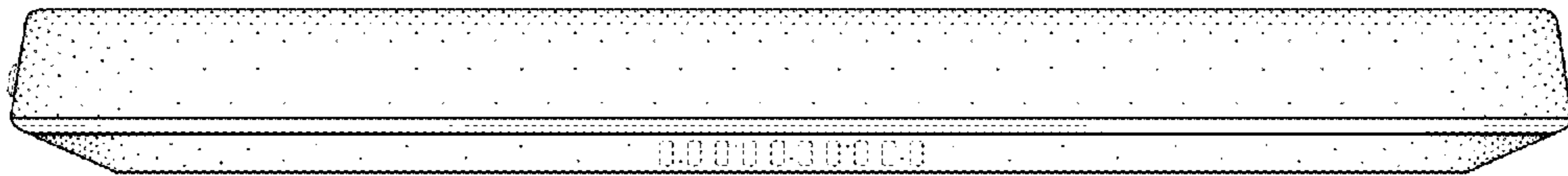


FIG. 8

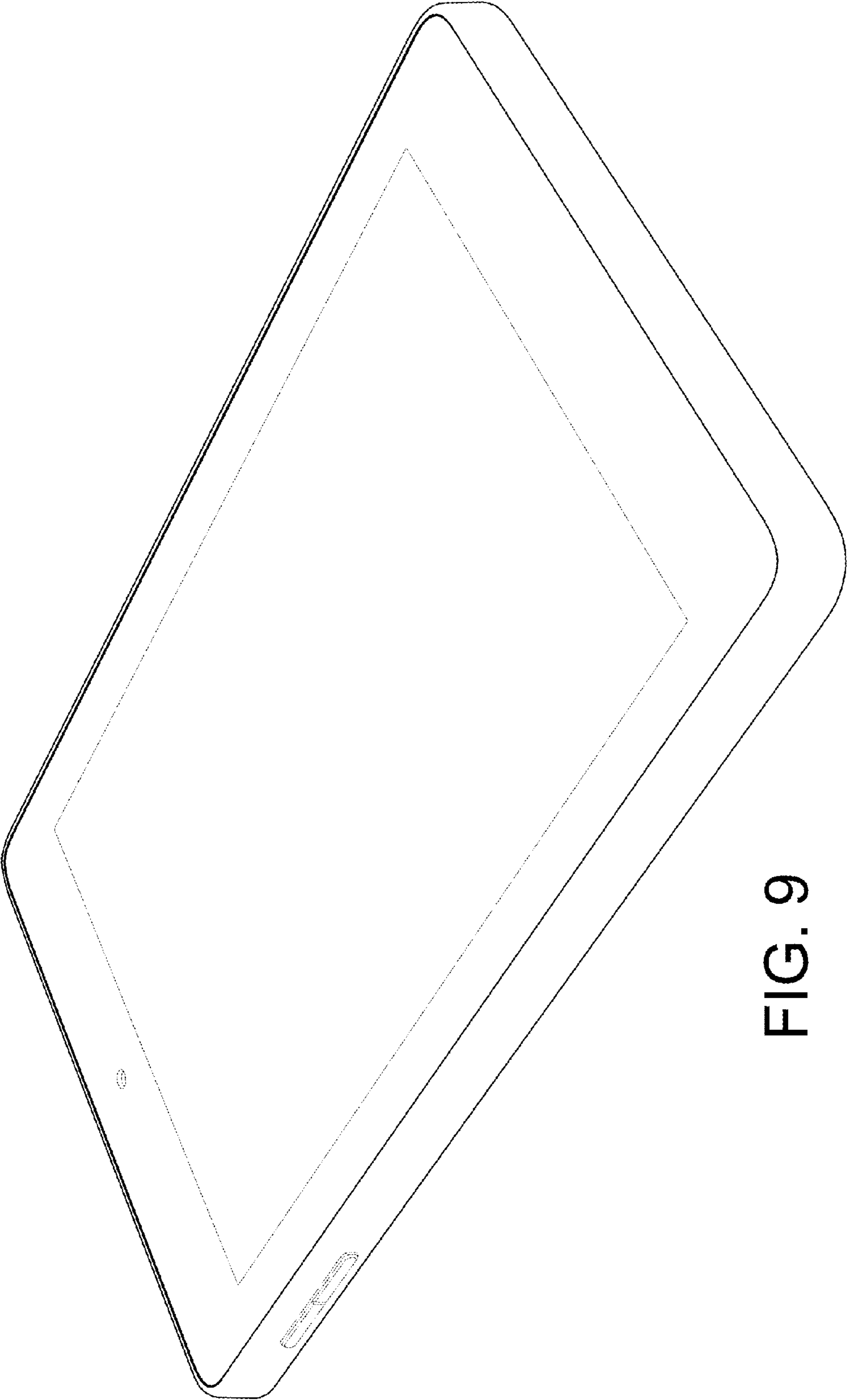


FIG. 9

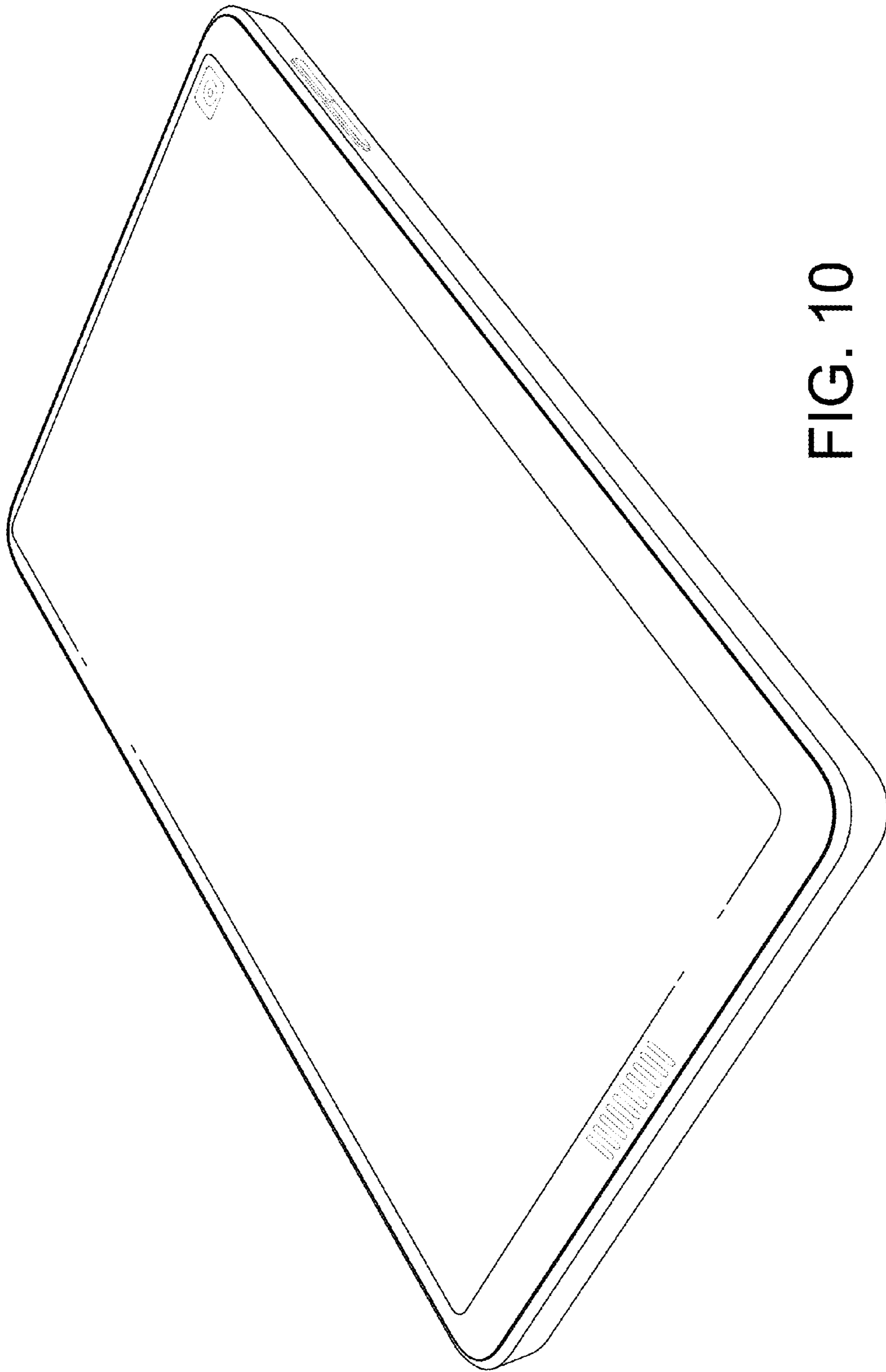


FIG. 10

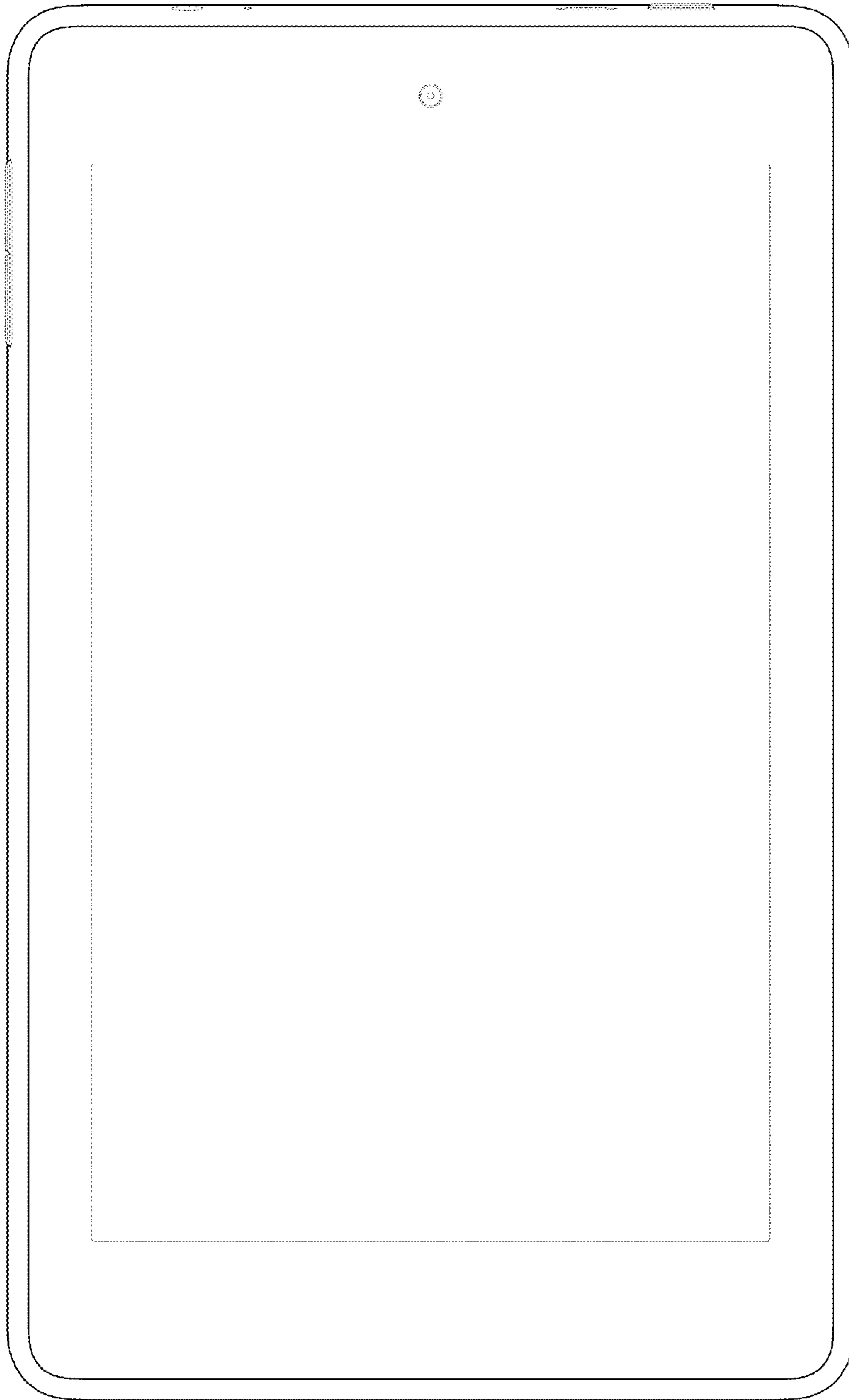


FIG. 11

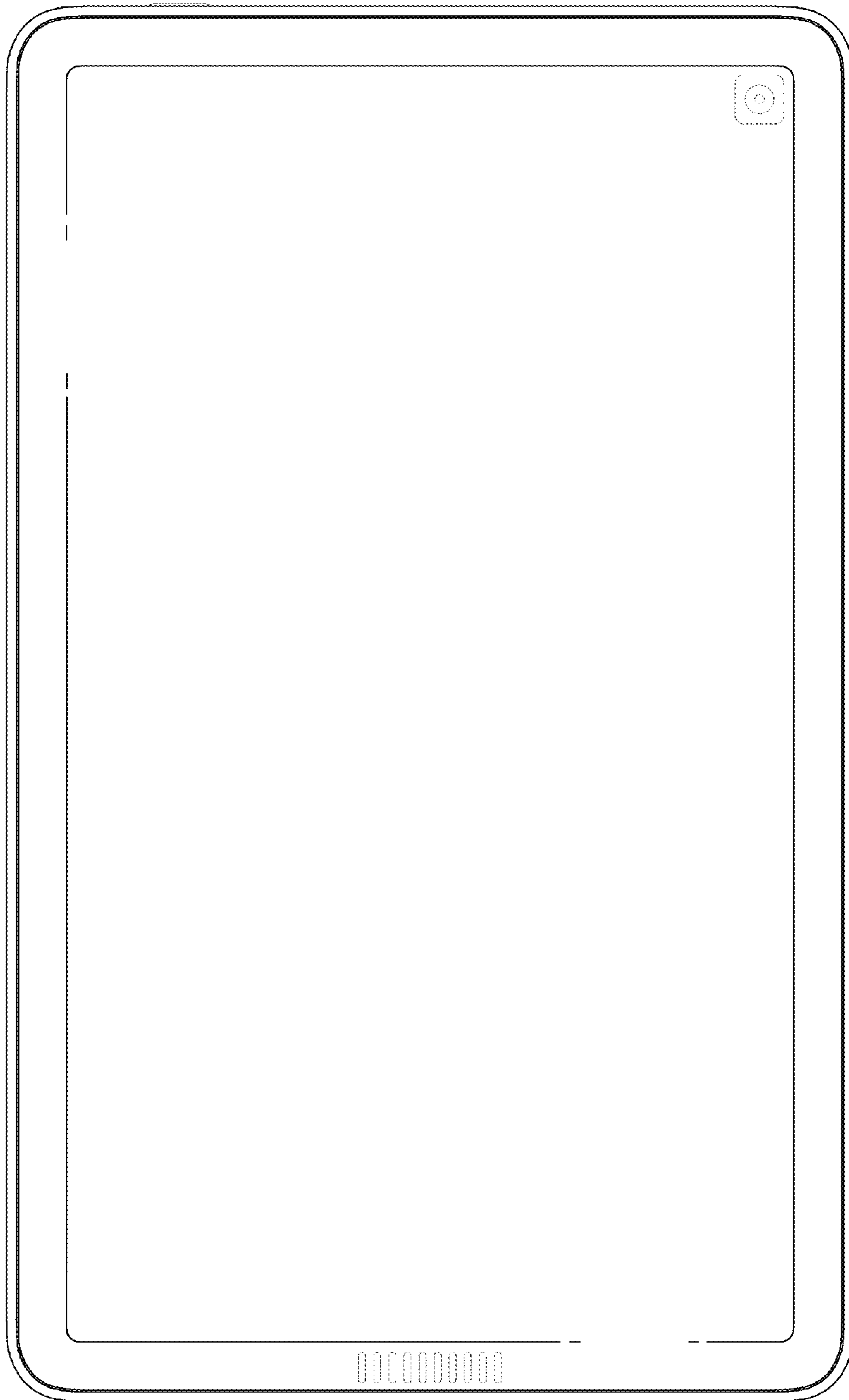


FIG. 12

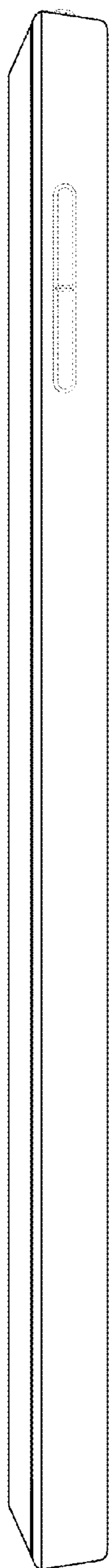


FIG. 13

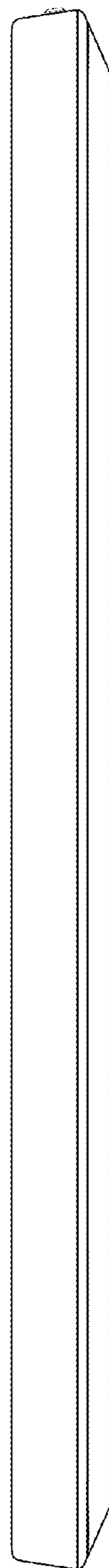


FIG. 14

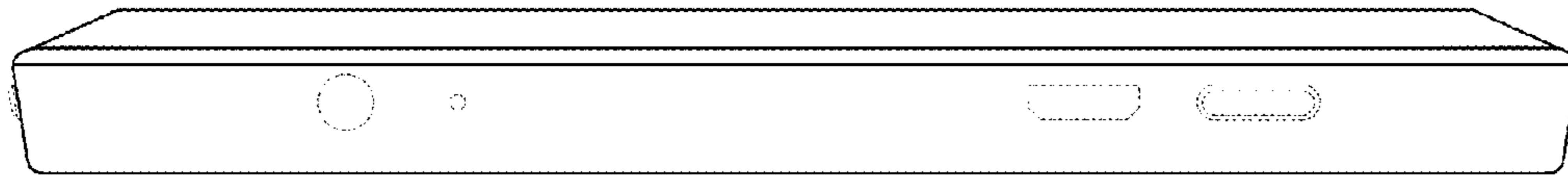


FIG. 15

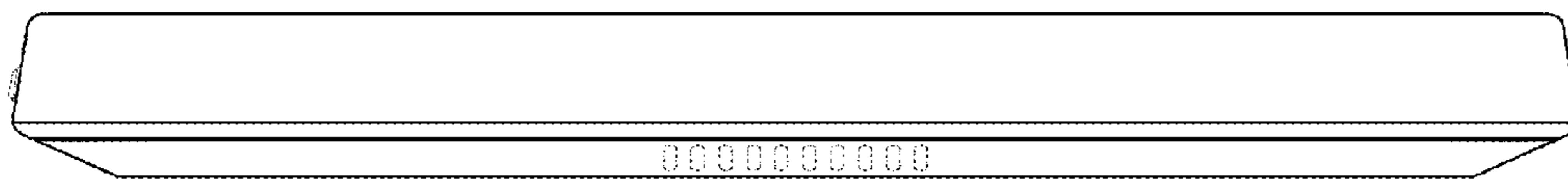


FIG. 16