

US00D760714S

(12) **United States Design Patent**
Harenstam

(10) **Patent No.:** **US D760,714 S**
(45) **Date of Patent:** **** Jul. 5, 2016**

(54) **TABLET**

(71) Applicant: **Sony Mobile Communications AB,**
Lund (SE)

(72) Inventor: **Karin Harenstam,** Tokyo (JP)

(73) Assignee: **Sony Mobile Communications AB,**
Lund (SE)

(**) Term: **14 Years**

(21) Appl. No.: **29/483,169**

(22) Filed: **Feb. 26, 2014**

(30) **Foreign Application Priority Data**

Oct. 3, 2013 (EM) 002319657

(51) **LOC (10) Cl.** **14-02**

(52) **U.S. Cl.**
USPC **D14/341**

(58) **Field of Classification Search**
USPC D14/315-318, 341-344, 129, 130, 496,
D14/137, 138 R, 138 AA, 138 C, 138 G, 147,
D14/203.1, 203.3, 203.4, 203.7, 389;
D6/308, 310; D21/324, 329, 330, 332;
455/556.2, 566; 379/916; 345/901,
345/905, 173; 361/679.26, 679.3, 679.55,
361/679.56
CPC H04M 1/0202; H04M 1/0279; H04M
1/0281; H04M 1/0283; G06F 1/1613; G06F
15/00; A63H 33/3016; G01S 17/74; G01S
17/08
See application file for complete search history.

(56) **References Cited**

U.S. PATENT DOCUMENTS

D631,031 S * 1/2011 Chen et al. D14/138 G
D664,518 S * 7/2012 Ryu D14/138 G
D696,218 S * 12/2013 Lee et al. D14/138 G
D696,219 S * 12/2013 Kim et al. D14/138 G

D702,206 S * 4/2014 Kim et al. D14/138 G
D702,681 S * 4/2014 Sugiyama et al. D14/341
D708,608 S * 7/2014 Sugiyama et al. D14/341
D712,368 S * 9/2014 Hibi D14/138 G
D712,384 S * 9/2014 Hibi D14/248
D712,866 S * 9/2014 Yamagishi D14/138 G
D713,373 S * 9/2014 Hibi D14/138 G
D716,747 S * 11/2014 Kleiner et al. D14/138 G
D717,263 S * 11/2014 Wozniak D14/138 G
D717,265 S * 11/2014 Zhao D14/138 G

(Continued)

FOREIGN PATENT DOCUMENTS

JP D148310 S 7/2012

OTHER PUBLICATIONS

Sony Xperia Z2 Tablet (Amazon), available Apr. 6, 2014, [online],
[site visited Apr. 28, 2015]. Available from internet, <URL: <http://www.amazon.com/Sony-Xperia-10-1-Tablet-Black/dp/B00ITTWQK6>>.*

(Continued)

Primary Examiner — Cathron Brooks
Assistant Examiner — Teddy Falloway

(74) *Attorney, Agent, or Firm* — Renner, Otto, Boisselle &
Sklar, LLP

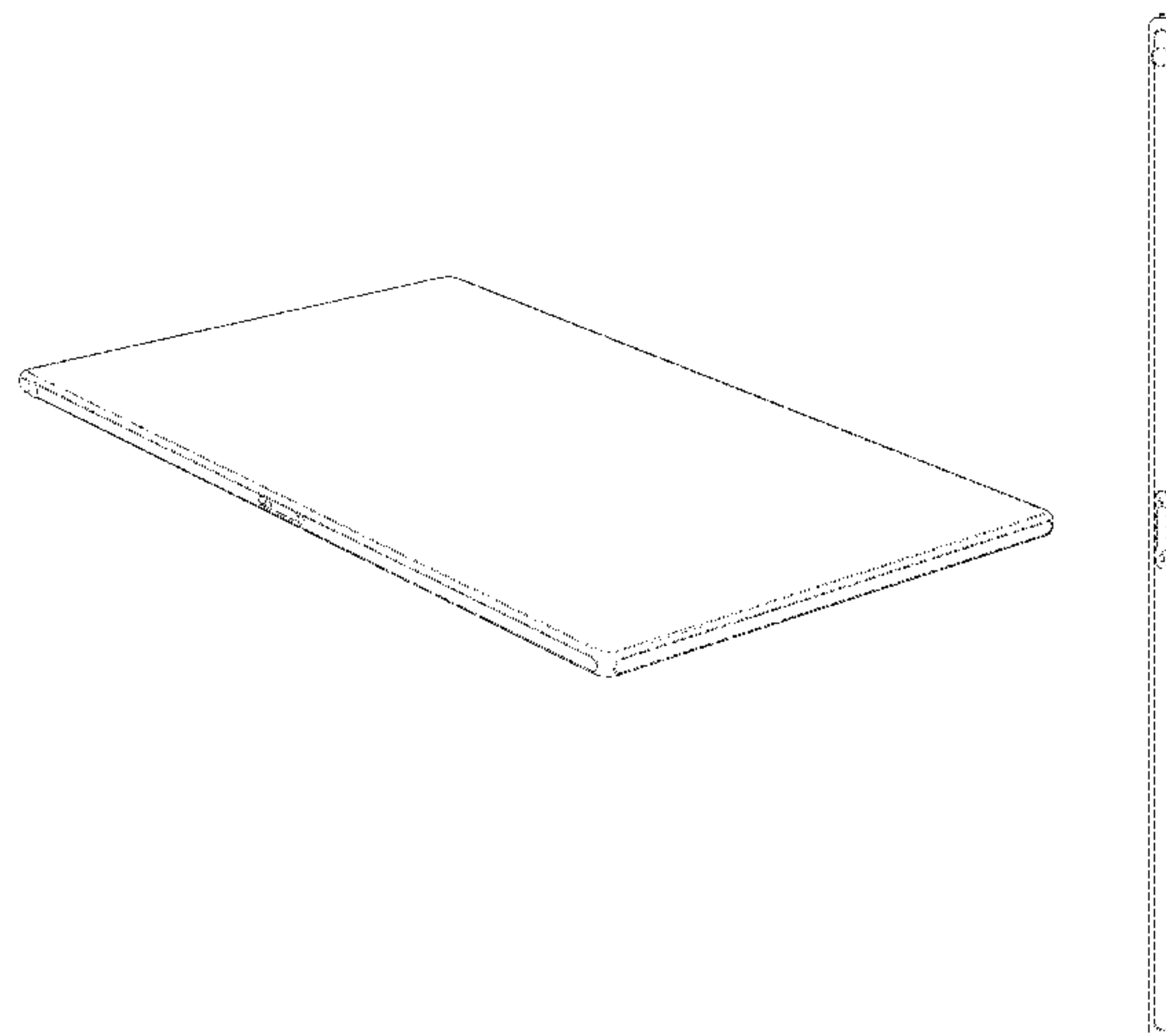
(57) **CLAIM**

The ornamental design for a tablet, as shown and described.

DESCRIPTION

FIG. 1 is a perspective view of a tablet showing my new design;
FIG. 2 is a front view thereof;
FIG. 3 is a rear view thereof;
FIG. 4 is a left side view thereof;
FIG. 5 is a right side view thereof;
FIG. 6 is a top view thereof; and,
FIG. 7 is a bottom view thereof.

1 Claim, 5 Drawing Sheets



(56)

References Cited

U.S. PATENT DOCUMENTS

D717,758	S *	11/2014	Kim	D14/138	G
D721,344	S *	1/2015	Lee et al.	D14/138	G
2012/0194997	A1 *	8/2012	McClure et al.	361/679.55	
2012/0194998	A1 *	8/2012	McClure et al.	361/679.56	
2013/0076644	A1 *	3/2013	Escobedo	345/173	
2013/0322013	A1 *	12/2013	Steele	361/679.55	
2014/0055948	A1 *	2/2014	Zhu	361/679.55	
2014/0347804	A1 *	11/2014	Fu et al.	361/679.26	

OTHER PUBLICATIONS

Sony Xperia Z2 Tablet (engadget), available Feb. 24, 2014, [online], [site visited Apr. 28, 2015]. Available from internet, <URL: <http://www.engadget.com/products/sony/xperia-tablet/z2/>>.*

Sony Xperia Z Tablet (GSMarena), available Feb. 2013, [online], [site visited Apr. 28, 2015]. Available from internet, <URL: http://www.gsmarena.com/sony_xperia_tablet_z_wi-fi-5326.php>.*

Sony Xperia Z Ultra (GSMarena), available Jun. 2013, [online], [site visited Apr. 28, 2015]. Available from internet, <URL: http://www.gsmarena.com/sony_xperia_z_ultra-5540.php>.*

Sony Xperia Z1 (GSMarena), available Sep. 2013, [online], [site visited Apr. 28, 2015]. Available from internet, <URL: http://www.gsmarena.com/sony_xperia_z1-5596.php>.*

Sony Xperia Z2 (GSMarena), available Feb. 2014, [online], [site visited Apr. 28, 2015]. Available from internet, <URL: http://www.gsmarena.com/sony_xperia_z2-6144.php>.*

LG Optimus Vu II (TechGlimpse), available Jan. 10, 2013, [online], [site visited Apr. 29, 2015]. Available from internet, <URL: <http://techglimpse.com/lg-optimus-vu-ii-panoramic-note-talk-revised-upgraded/>>.*

Drawings from co-pending U.S. Appl. No. 29/449,169, filed Mar. 14, 2013.

Drawings from co-pending U.S. Appl. No. 29/465,651, filed Aug. 30, 2013.

* cited by examiner

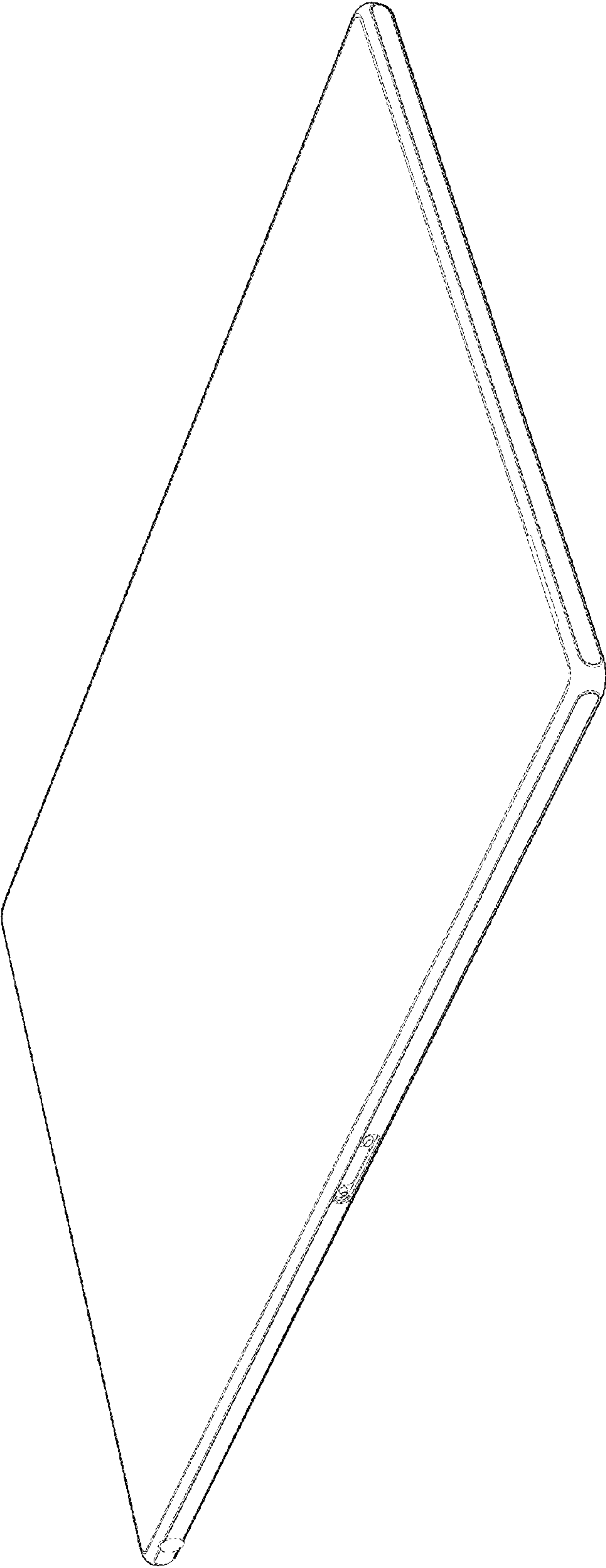


Fig. 1

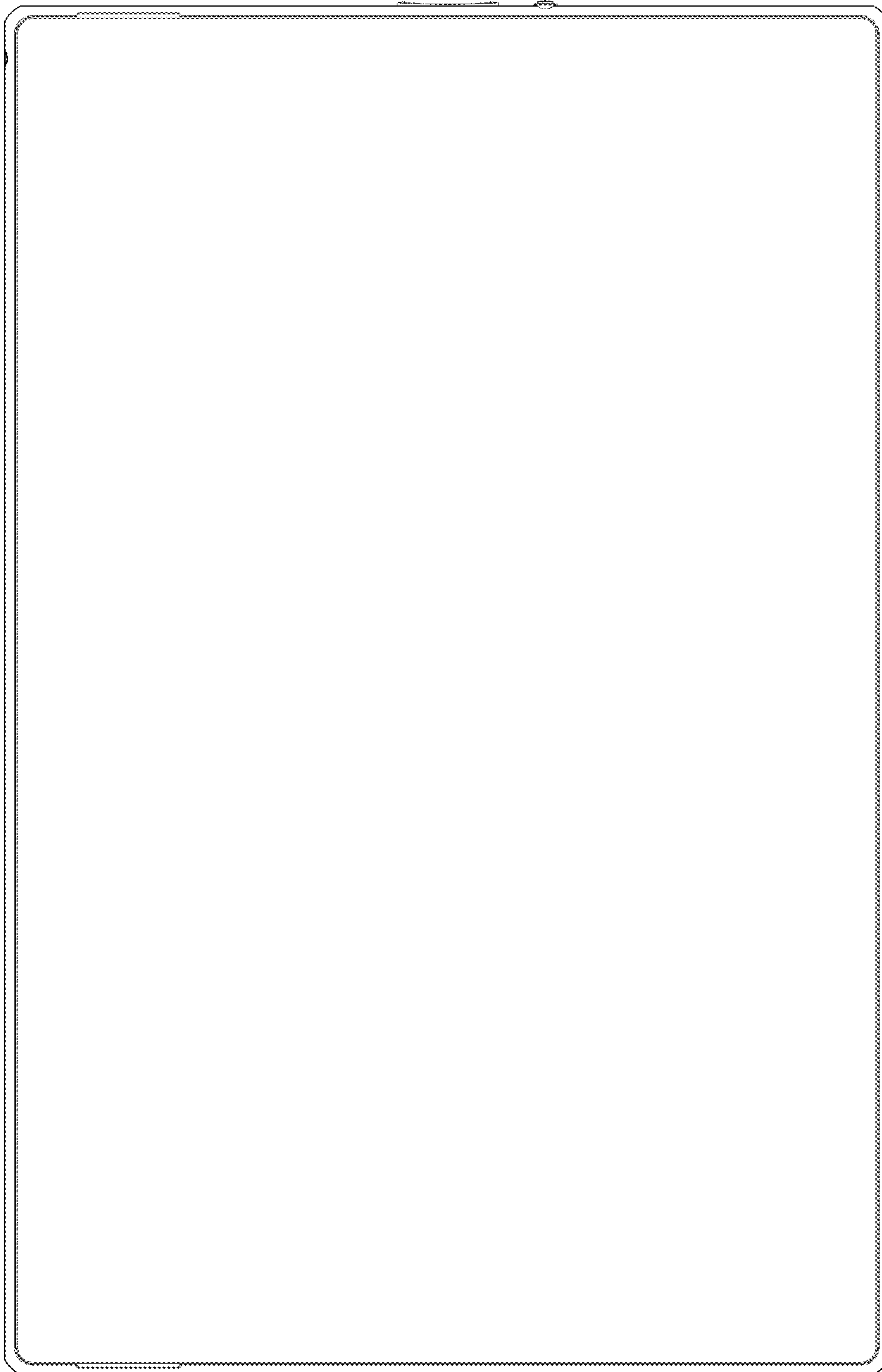


Fig. 2

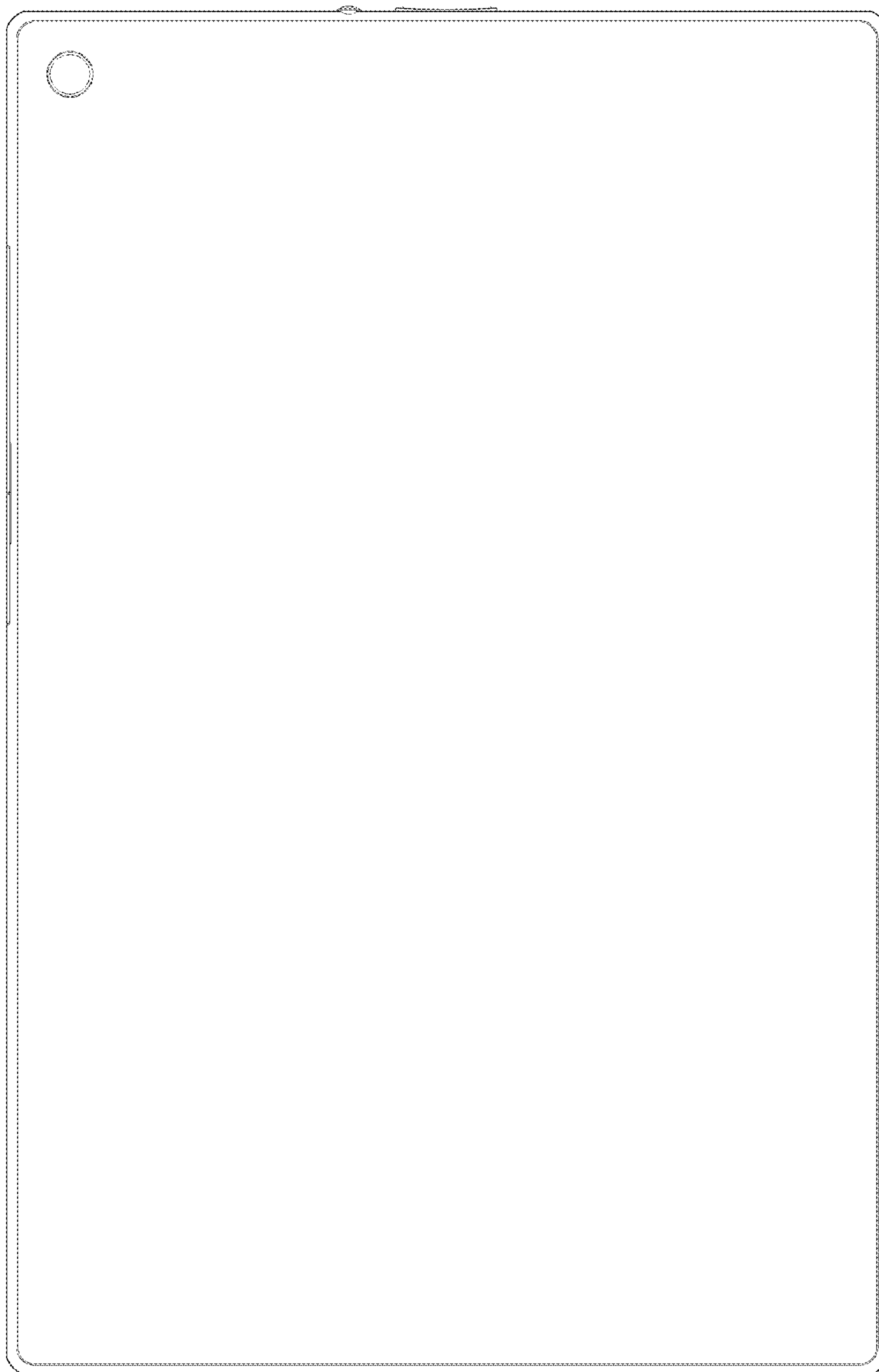


Fig. 3

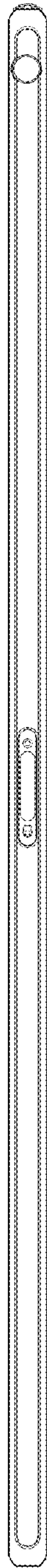


Fig. 4

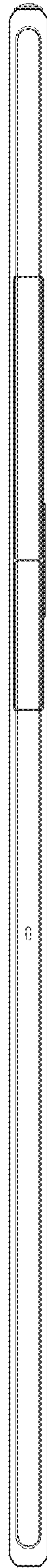


Fig. 5



Fig. 6



Fig. 7