



US00D760710S

(12) **United States Design Patent**
Ozolins et al.

(10) **Patent No.:** **US D760,710 S**
(45) **Date of Patent:** **** Jul. 5, 2016**

(54) **MOBILE TELEPHONE CASE WITH ELECTRONIC FOB**

(71) Applicant: **BLOOMBERG FINANCE L.P.**, New York, NY (US)

(72) Inventors: **Helmars E. Ozolins**, Orient, NY (US);
Avram Kaufman, New York, NY (US);
Adam Goldsmith, Larchmont, NY (US);
Sean Roarty, Ossining, NY (US); **Sigrid G. Moeslinger**, New York, NY (US);
Masamichi Udagawa, New York, NY (US)

(73) Assignee: **Bloomberg Finance L.P.**, New York, NY (US)

(**) Term: **14 Years**

(21) Appl. No.: **29/511,945**

(22) Filed: **Dec. 15, 2014**

(51) **LOC (10) Cl.** **14-03**

(52) **U.S. Cl.**
USPC **D14/250**

(58) **Field of Classification Search**
USPC D14/238.1, 250, 440, 203.3–203.7, 217,
D14/240, 248, 251–253, 447, 496, 143, 189,
D14/203.2; D3/201, 218, 247, 269, 273,
D3/301, 303; D13/103, 107–108, 119
CPC A45C 1/06; A45C 11/00; A45C 13/02;
A45C 2011/002; A45F 2005/026; A45F
2200/0525; A45F 2200/0516; H04B 1/3888;
H04M 1/0283; H04M 1/0202
See application file for complete search history.

(56) **References Cited**

U.S. PATENT DOCUMENTS

D367,355 S * 2/1996 Fleming, Jr. D3/218
D485,834 S * 1/2004 Davetas D14/250
D523,808 S * 6/2006 Thor D13/103

D558,445 S * 1/2008 Phillips D3/208
D664,091 S * 7/2012 Pliner D13/108
D670,255 S * 11/2012 Clark D13/168
D676,036 S * 2/2013 Chang D14/250
D679,684 S * 4/2013 Baker D14/250
D686,199 S * 7/2013 Fahrendorff D14/250
D698,772 S * 2/2014 Merenda D14/250
8,759,675 B2 * 6/2014 Rajeswaran G06F 1/1626
174/50
D709,439 S * 7/2014 Ferber D13/103
D710,346 S * 8/2014 Smith D14/250
D719,950 S * 12/2014 Smith D14/250
D726,171 S * 4/2015 Edwards D14/250
D727,305 S * 4/2015 Fisher D14/250
D728,468 S * 5/2015 Ferber D13/103

(Continued)

OTHER PUBLICATIONS

BungeeAir security case for iPhone 4, published Sep. 16, 2011,
URL:<<https://www.helpnetsecurity.com/2011/09/16/security-case-for-iphone-4/>>, retrieved from internet on Mar. 2, 2016.*

Primary Examiner — Carla Jobe Wright

(74) *Attorney, Agent, or Firm* — Chiesa Shahinian & Giantomasi PC

(57) **CLAIM**

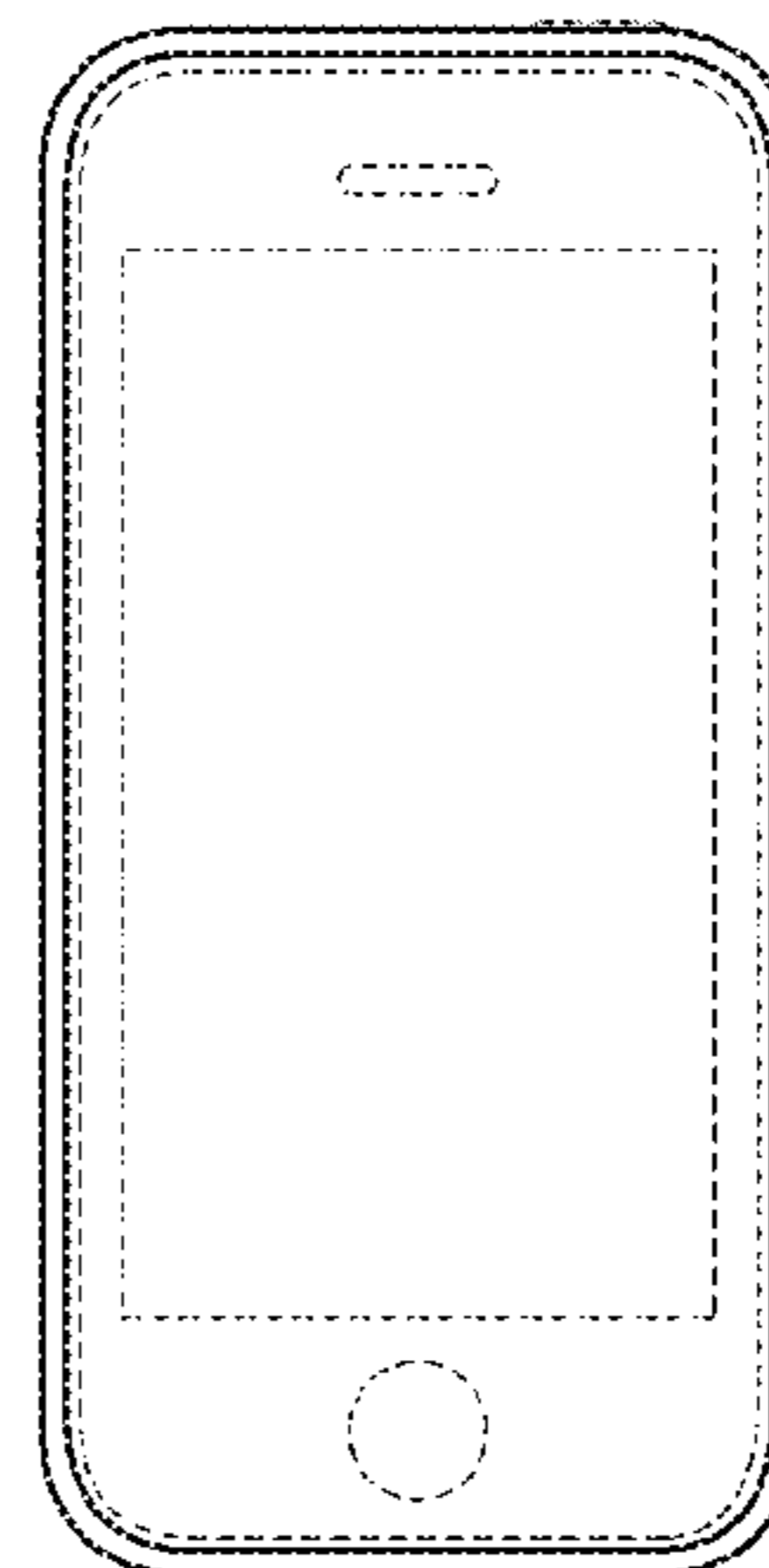
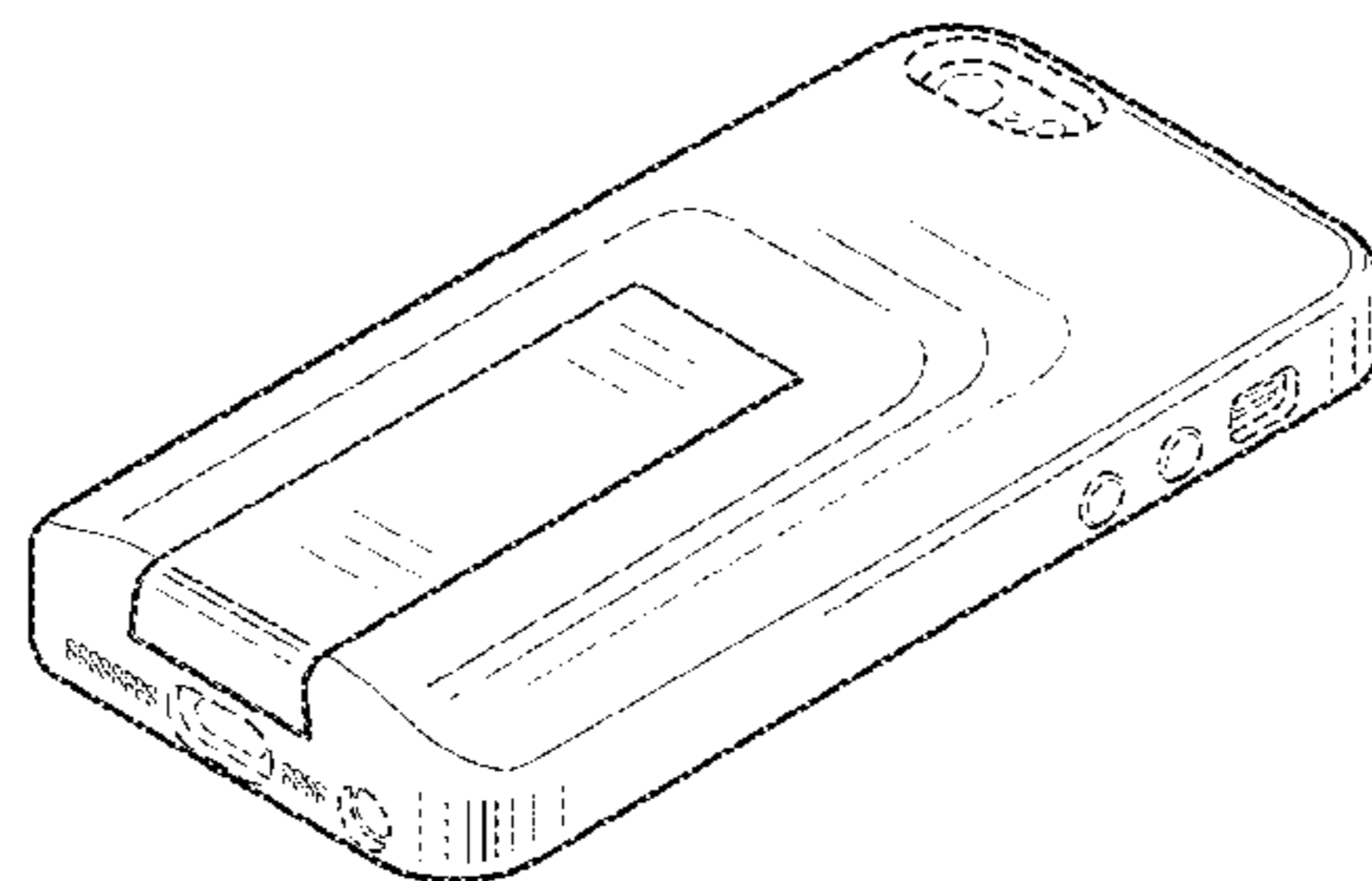
The ornamental design for a mobile telephone case with electronic FOB, as shown and described.

DESCRIPTION

FIG. 1 is a bottom right front perspective view of a mobile telephone case with electronic FOB according to our design; FIG. 2 is a bottom left rear perspective view thereof; FIG. 3 is a front view thereof; FIG. 4 is a rear view thereof; FIG. 5 is a right side view thereof; FIG. 6 is a left side view thereof; FIG. 7 is a top view thereof; and, FIG. 8 is a bottom view thereof.

The broken lines depict environmental subject matter that forms no part of the claimed design.

1 Claim, 3 Drawing Sheets



US D760,710 S

Page 2

(56)

References Cited

U.S. PATENT DOCUMENTS

D728,469 S * 5/2015 Castelli D13/103
D728,551 S * 5/2015 Saeki D14/250
D732,011 S * 6/2015 Stevinson D14/250

D735,706 S * 8/2015 Stevinson D14/250
D750,096 S * 2/2016 Ozolins D14/480.4
D750,609 S * 3/2016 Daniel D14/250
2011/0272308 A1* 11/2011 Andre G06K 19/005
206/320

* cited by examiner

FIG. 1

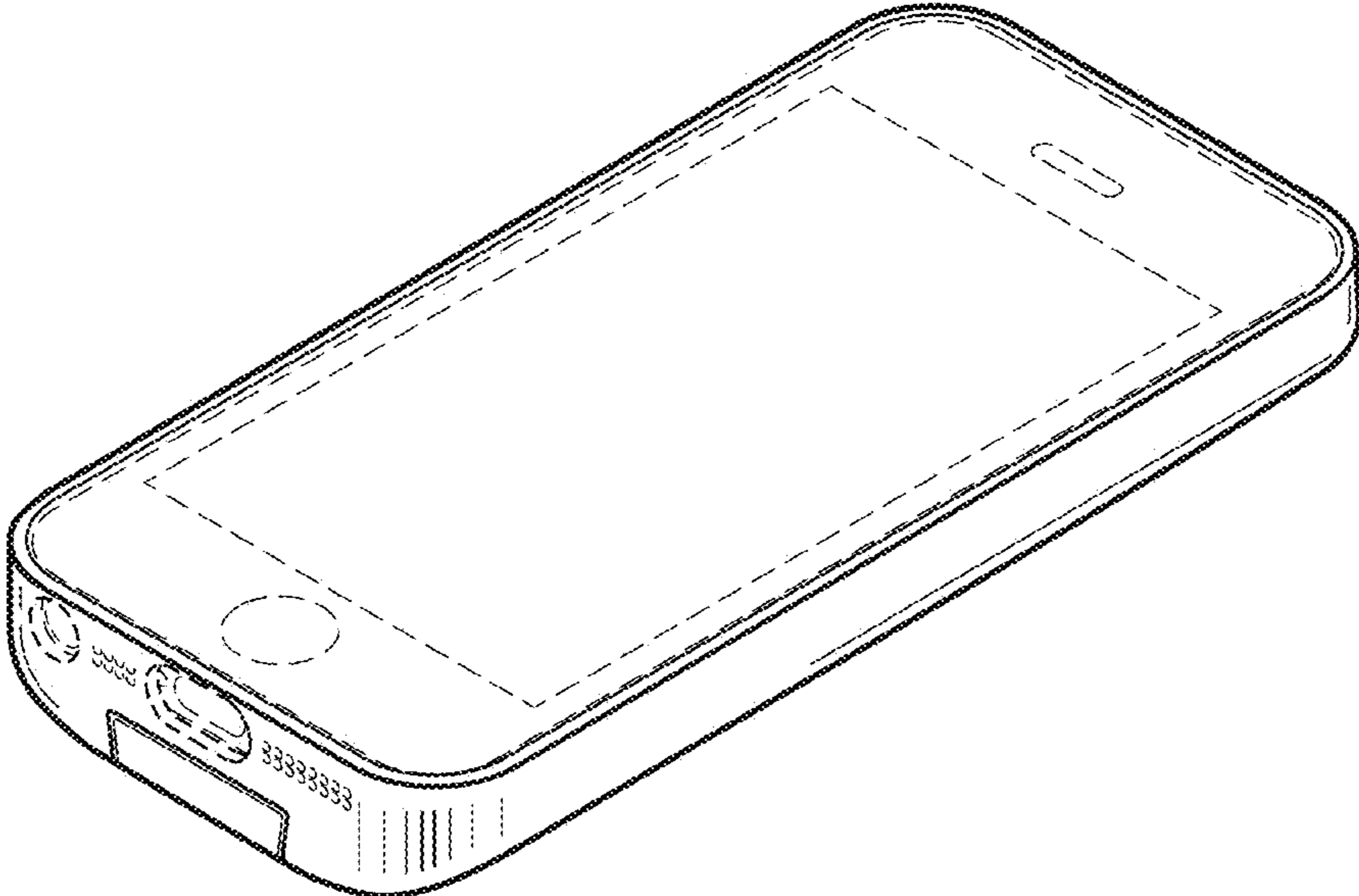


FIG. 2

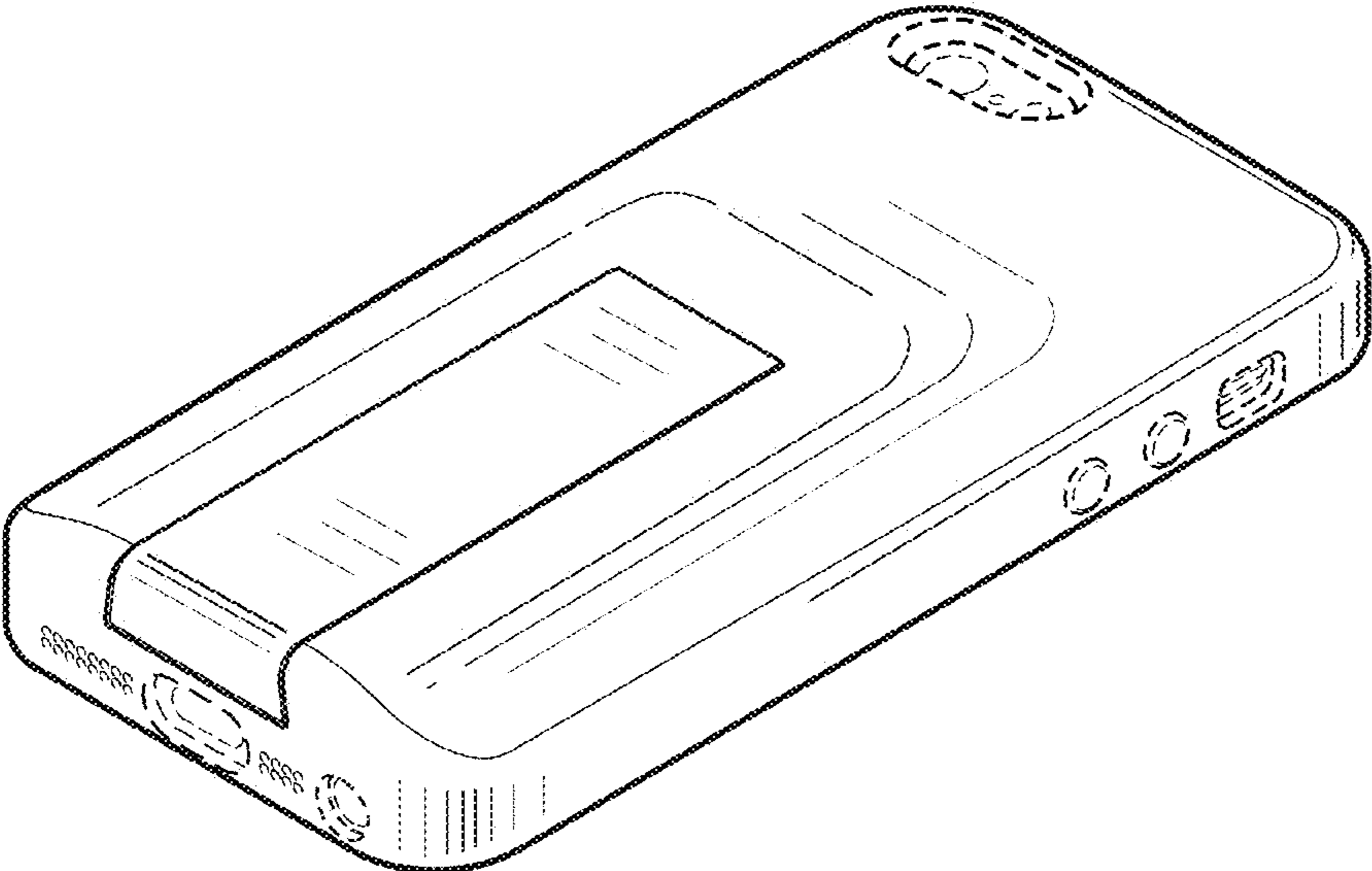


FIG. 3

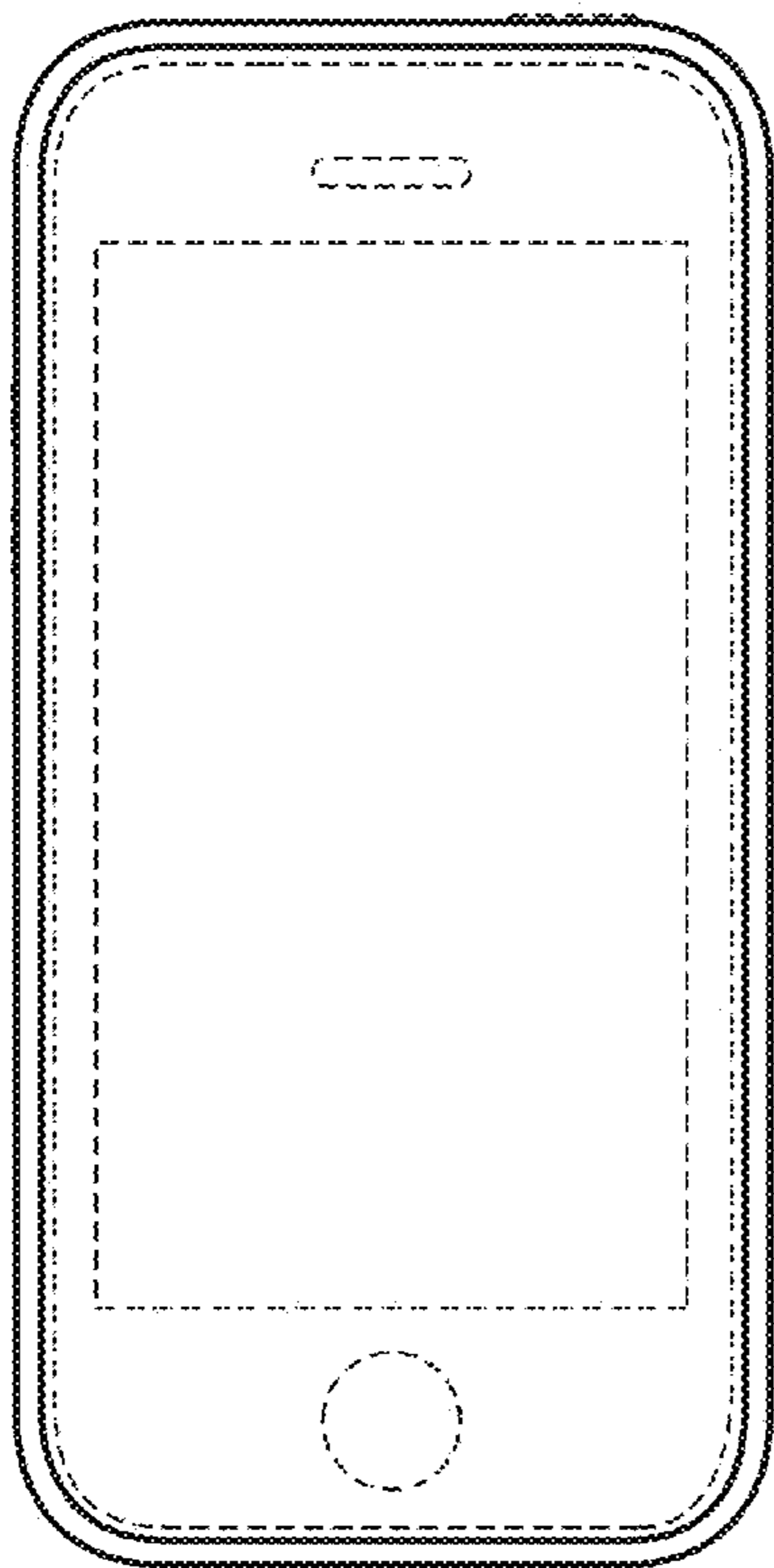


FIG. 4

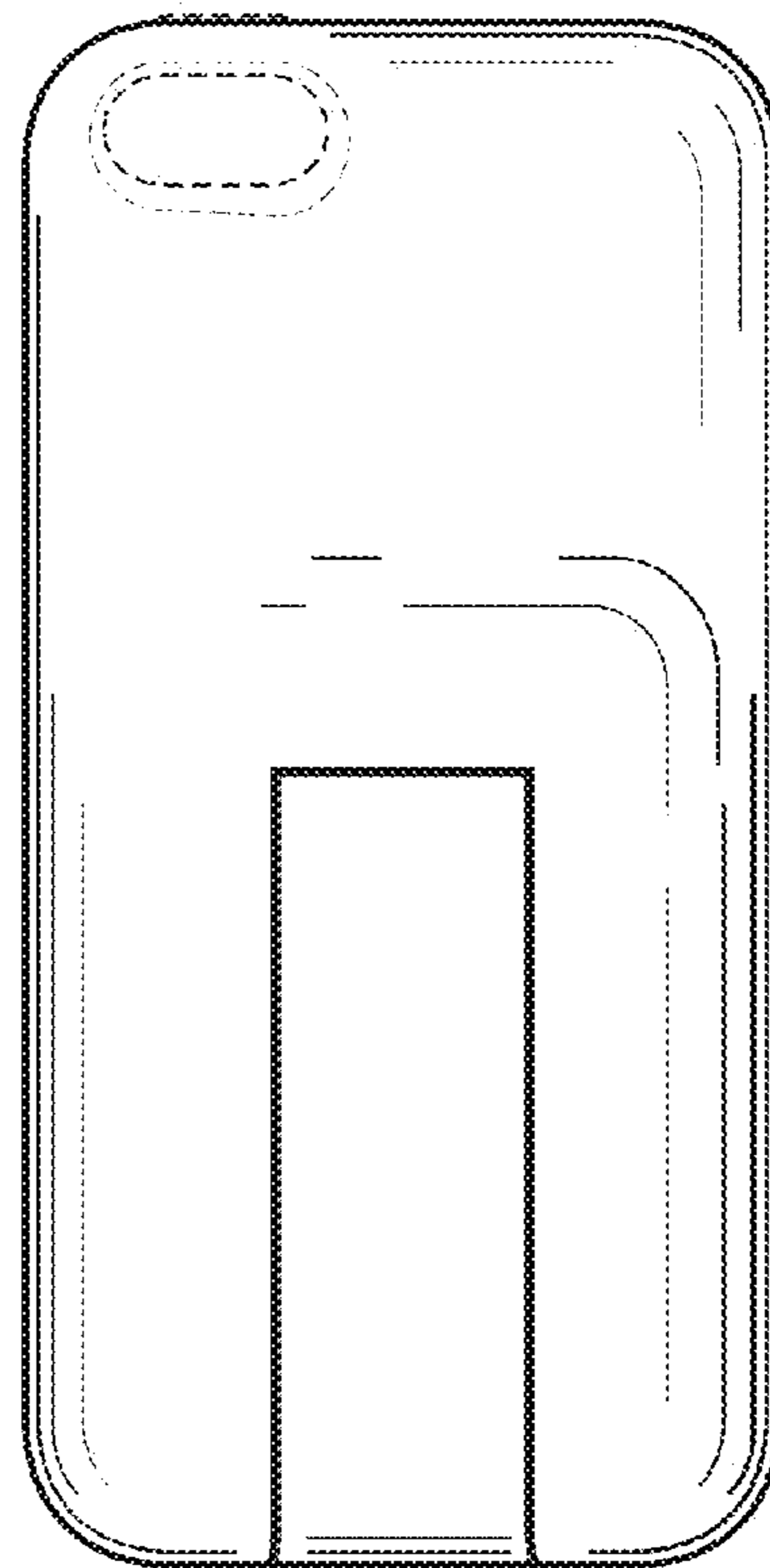


FIG. 5

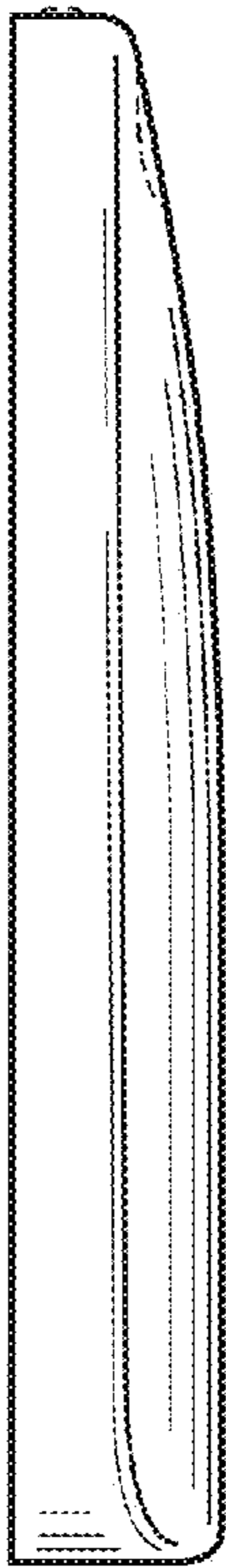


FIG. 6

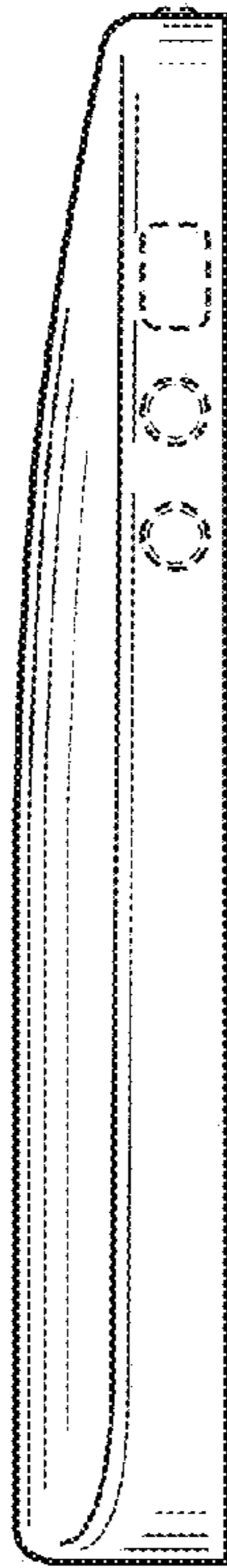


FIG. 7

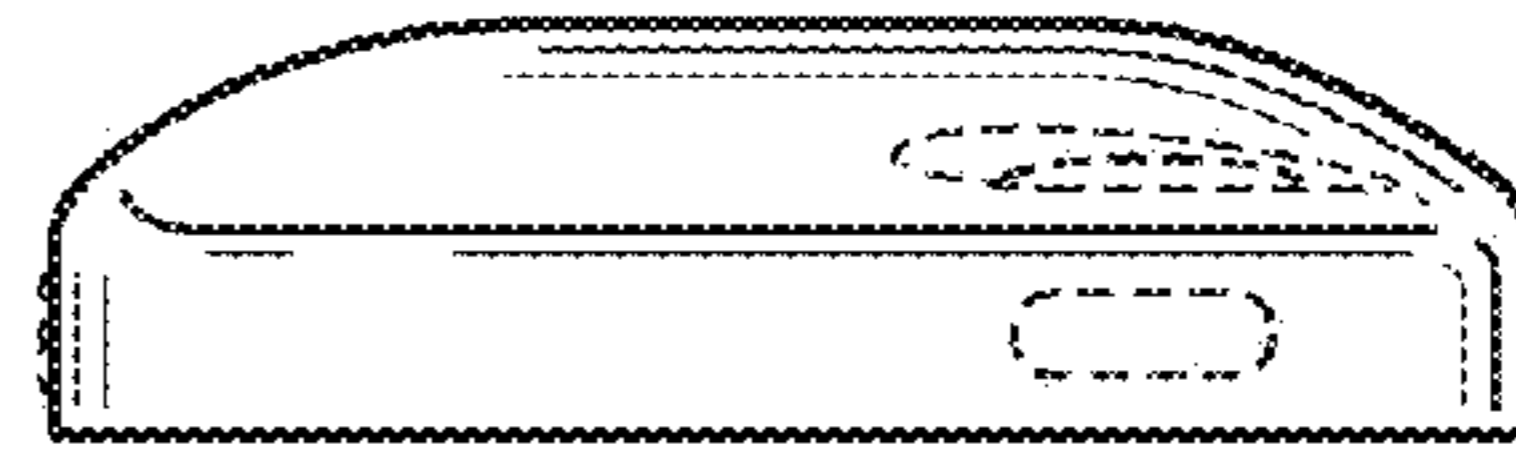


FIG. 8

