



US00D760705S

(12) **United States Design Patent**
Matsuoka

(10) **Patent No.:** **US D760,705 S**
(45) **Date of Patent:** **** Jul. 5, 2016**

- (54) **ANTENNA**
- (71) Applicant: **Google Inc.**, Mountain View, CA (US)
- (72) Inventor: **Yoshimichi Matsuoka**, Sunnyvale, CA (US)
- (73) Assignee: **Google Inc.**, Mountain View, CA (US)
- (**) Term: **14 Years**
- (21) Appl. No.: **29/491,292**
- (22) Filed: **May 20, 2014**
- (51) **LOC (10) Cl.** **14-03**
- (52) **U.S. Cl.**
USPC **D14/230**
- (58) **Field of Classification Search**
USPC D14/230–238, 299, 358; 343/700 R,
343/733, 747–748, 753, 779, 781 CA,
343/793–794, 801, 803, 806, 811, 841–842,
343/846, 878–882
CPC H01Q 7/00; H01Q 13/10; H01Q 9/285;
H01Q 19/30; H01Q 19/12; H01Q 1/38;
H04B 1/0475; H04B 1/034; H05K 11/00
See application file for complete search history.

- 7,091,925 B1 * 8/2006 Wang H01Q 1/40
343/741
- D531,995 S * 11/2006 Shinkawa D14/230
- D533,148 S * 12/2006 Hong D14/125
- D565,035 S * 3/2008 Takisawa D14/230
- D577,020 S * 9/2008 Park D14/363
- D596,626 S * 7/2009 Andre D14/240

(Continued)

FOREIGN PATENT DOCUMENTS

- CN 301048825 * 10/2009
- JP D12820659 * 9/2006

(Continued)

OTHER PUBLICATIONS

The Best Indoor HDTV Antenna—Techlicious, article date May 8, 2014, online, <http://www.techlicious.com/review/the-best-indoor-hdtv-antenna/>, [site visited Oct. 29, 2015 3:01:55 PM].*

(Continued)

Primary Examiner — John Windmuller
Assistant Examiner — John R Yeh
(74) *Attorney, Agent, or Firm* — Honigman Miller Schwartz and Cohn LLP

(57) **CLAIM**

The ornamental design for an antenna, as shown and described.

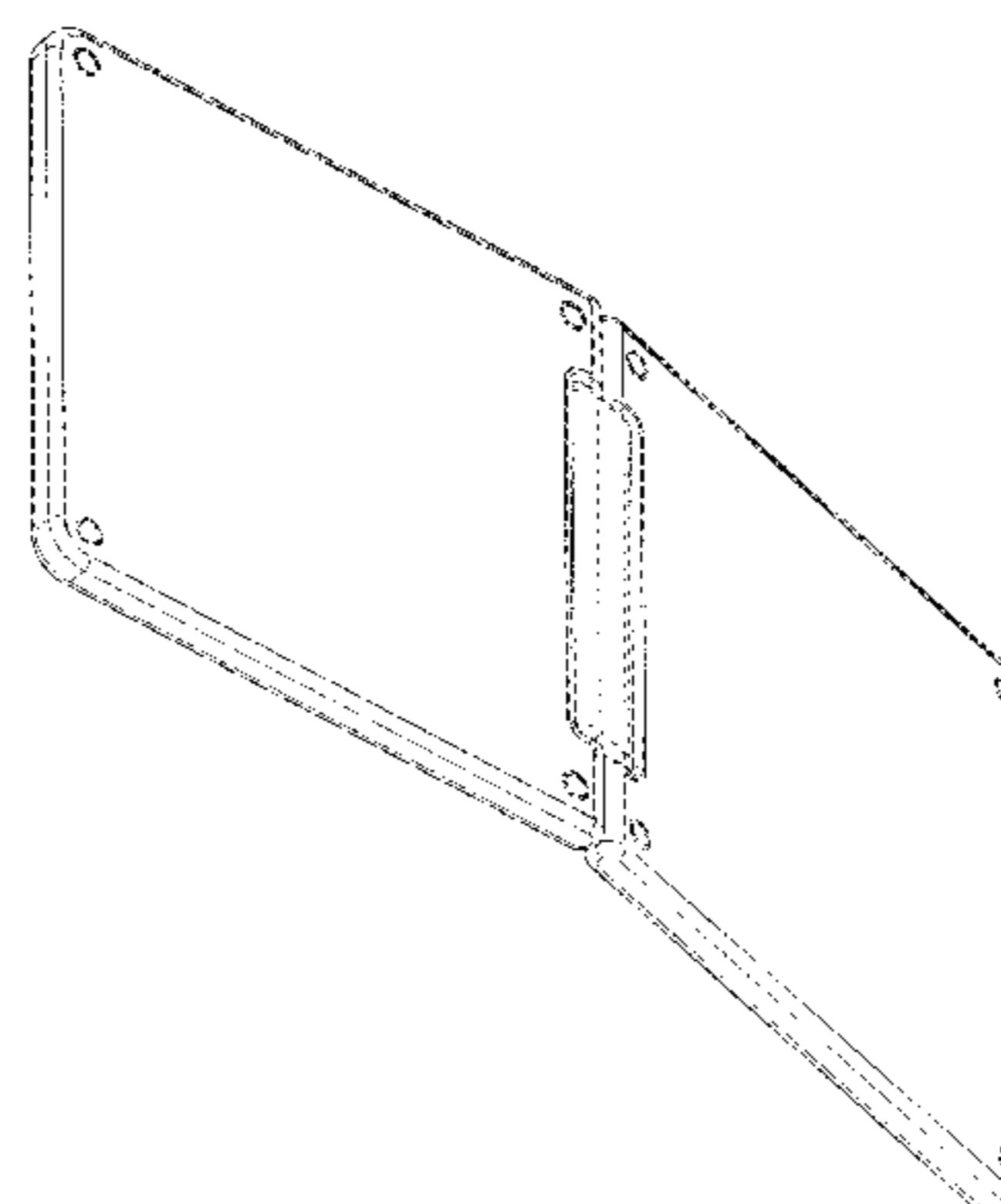
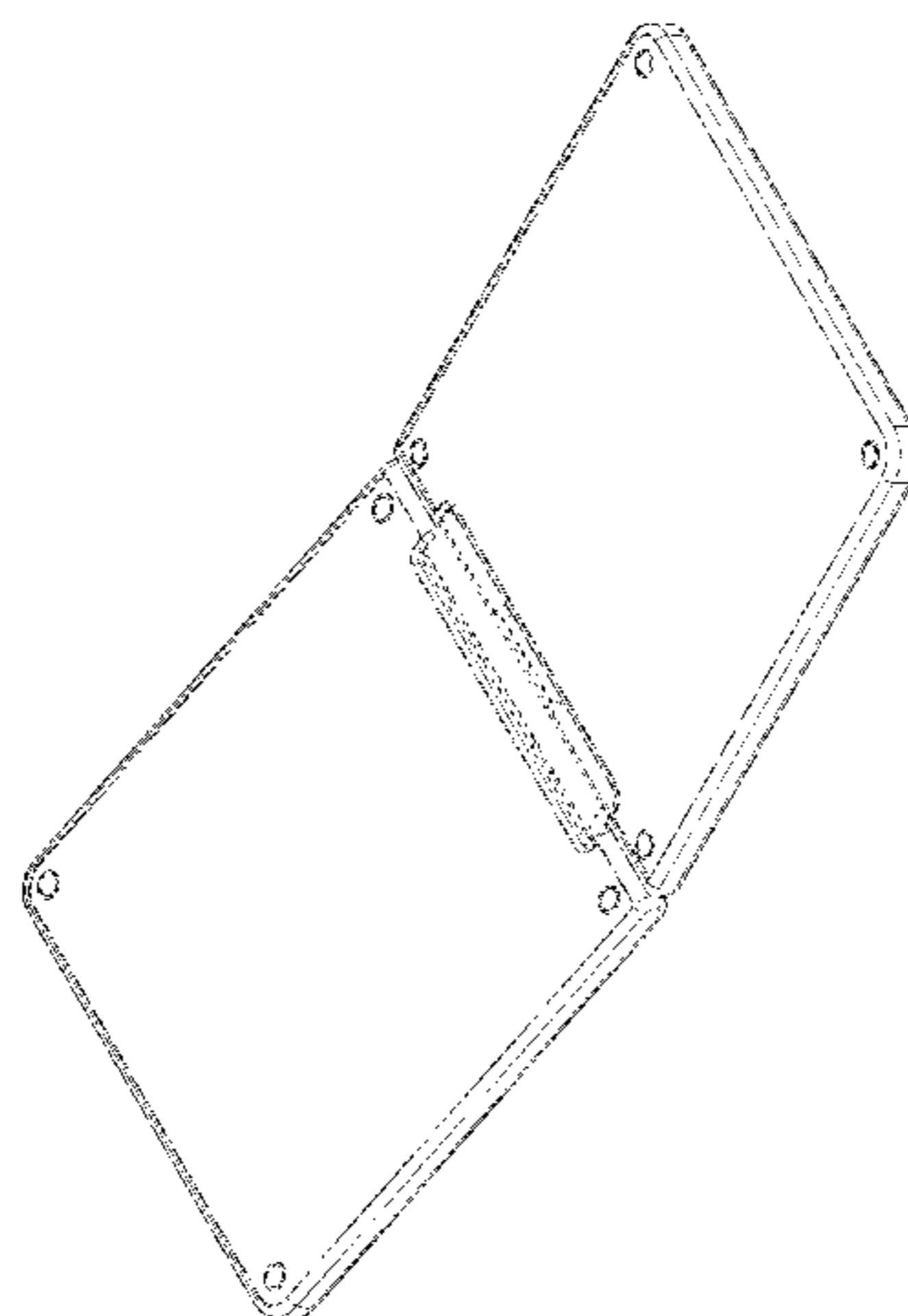
DESCRIPTION

FIG. 1 is a top perspective view of an antenna, showing my new design;
FIG. 2 is a bottom perspective view thereof;
FIG. 3 is a top view thereof;
FIG. 4 is a bottom view thereof;
FIG. 5 is a left side view thereof;
FIG. 6 is a right side view thereof;
FIG. 7 is a front view thereof; and,
FIG. 8 is a rear view thereof.
The dashed lines in the drawing views depict portions of the design that form no part of the claim.

1 Claim, 8 Drawing Sheets

(56) **References Cited**
U.S. PATENT DOCUMENTS

- 2,821,710 A * 1/1958 Hale H01Q 9/26
343/720
- 3,590,383 A * 6/1971 Nakahara H01Q 13/20
246/30
- D318,673 S * 7/1991 Terk D14/230
- D345,564 S * 3/1994 Kadono D14/230
- D414,187 S * 9/1999 Lange D14/231
- 5,949,379 A * 9/1999 Yang H01Q 1/24
343/702
- 6,292,148 B1 * 9/2001 Matsuura H01Q 1/244
343/702
- 6,407,706 B2 * 6/2002 Vernon H01Q 1/1271
343/700 MS
- D513,617 S * 1/2006 Tierney D14/496



(56)

References Cited

RU

00039394 * 5/1994

U.S. PATENT DOCUMENTS

D619,140 S * 7/2010 Sin D14/480.6
D641,365 S * 7/2011 Lee D14/368
D642,173 S * 7/2011 Lee D14/365
D664,126 S * 7/2012 Feit D14/230
D697,059 S * 1/2014 Miller D14/230
2012/0133560 A1* 5/2012 Tang G06F 1/1626
343/702
2013/0335275 A1* 12/2013 Sanford H01Q 1/243
343/702

FOREIGN PATENT DOCUMENTS

JP D1282660 * 10/2006
JP D1334218 * 6/2008
JP D1336140 * 7/2008

OTHER PUBLICATIONS

Passive UHF RFID tags, Perfect RFID, YouTube video date Nov. 25, 2013, online, site visited Nov. 1, 2015, <https://www.youtube.com/watch?v=jO6-TKkKj-I>.*

One For All SV9215 Indoor Digital TV HD Aerial FM FreeView Aerial Antenna, website copyright 2015, online, <http://www.zeppy.io/product/gb/2/221898960605/one-for-all-sv9215-indoor-digital-tv-hd-aerial-fm-freeview-aerial-antenna-new>, [site visited Oct. 29, 2015 2:35:43 PM].*

Kymeta and Intelsat partner on cutting-edge satellite Internet antennas—GeekWire, article date Feb. 5, 2015, online, <http://www.geekwire.com/2015/kymeta-intelsat-will-partner-cutting-edge-satellite-intern> . . . , site visited Oct. 29, 2015.*

* cited by examiner

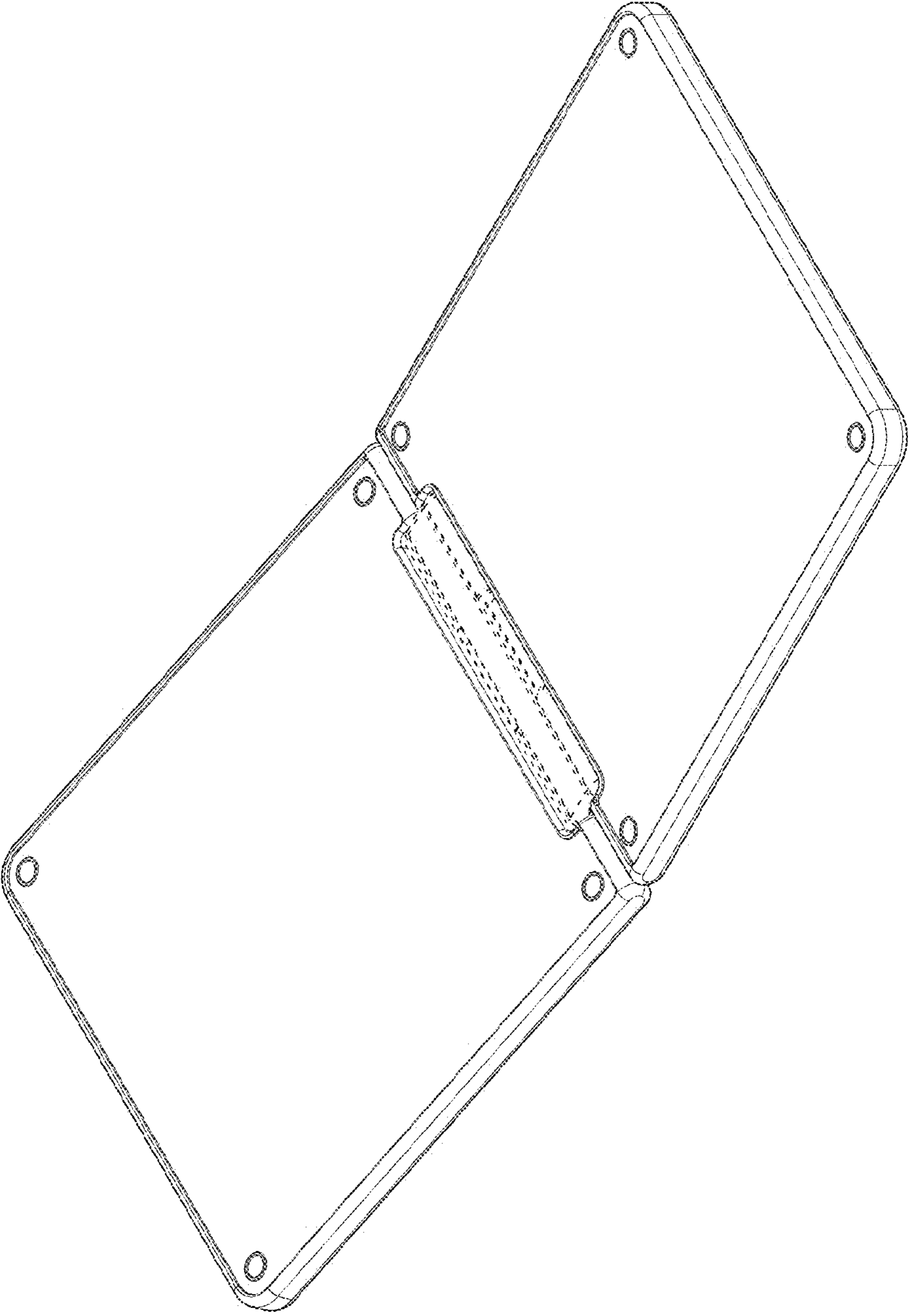


FIG. 1

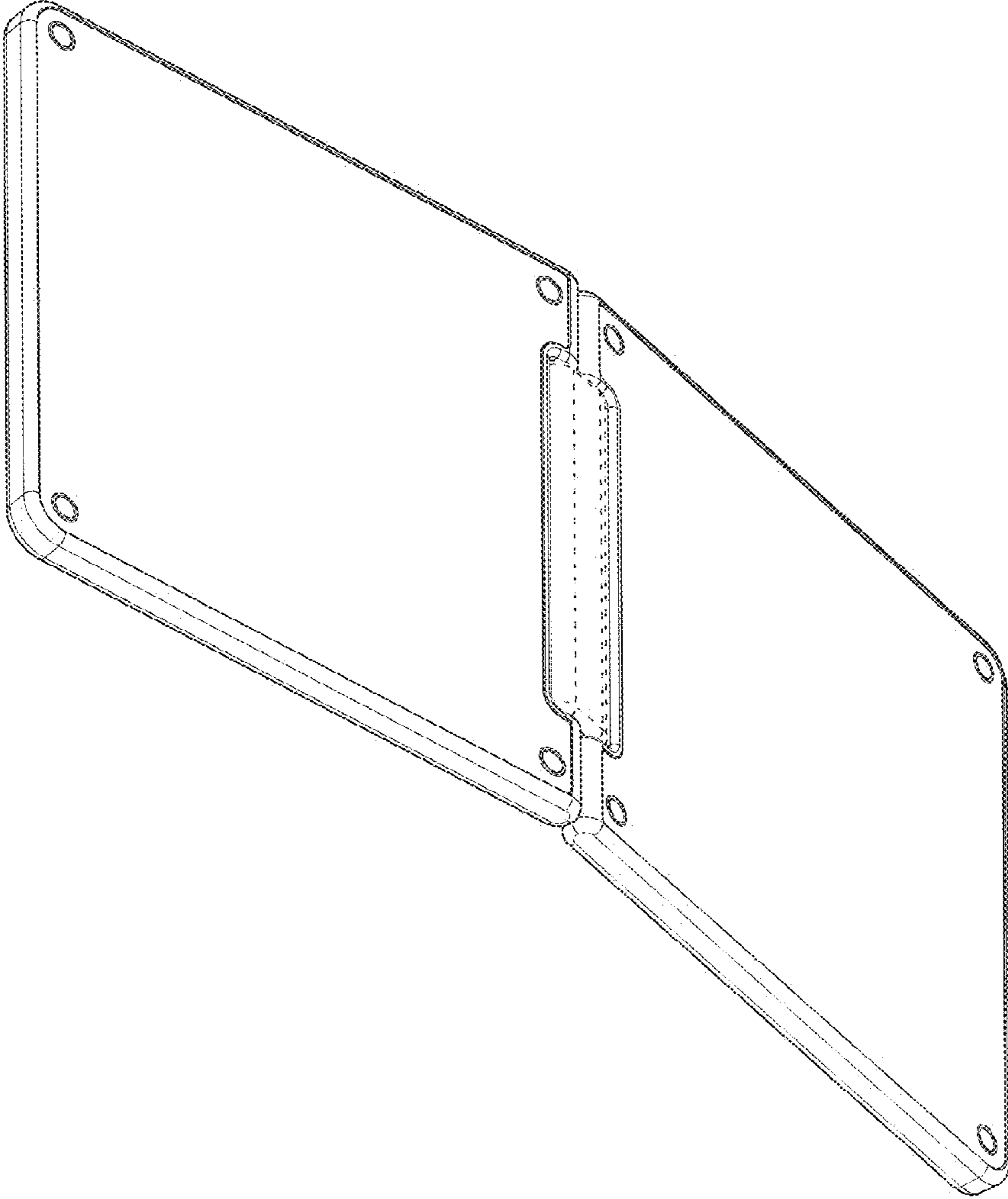


FIG. 2

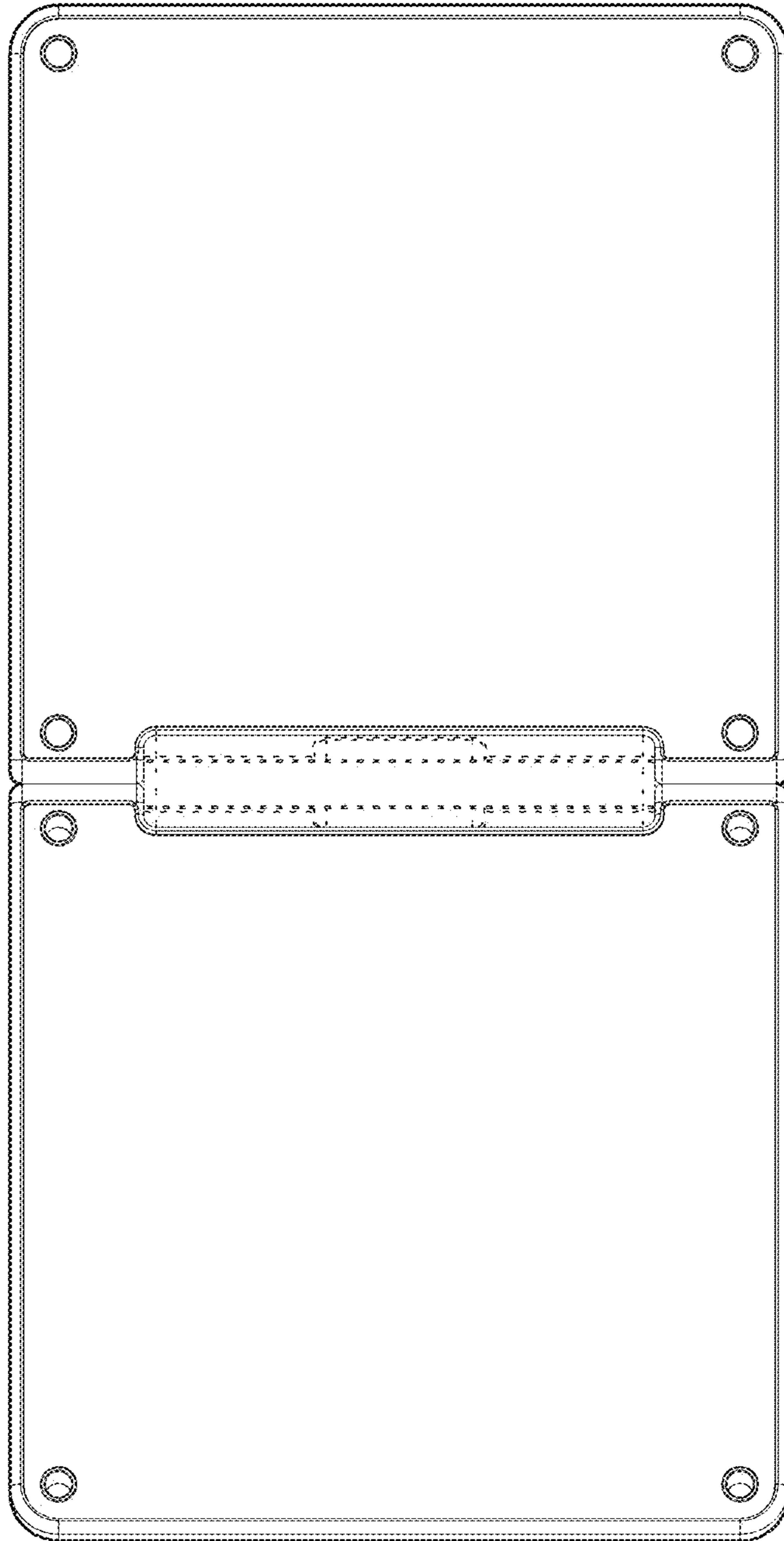


FIG. 3

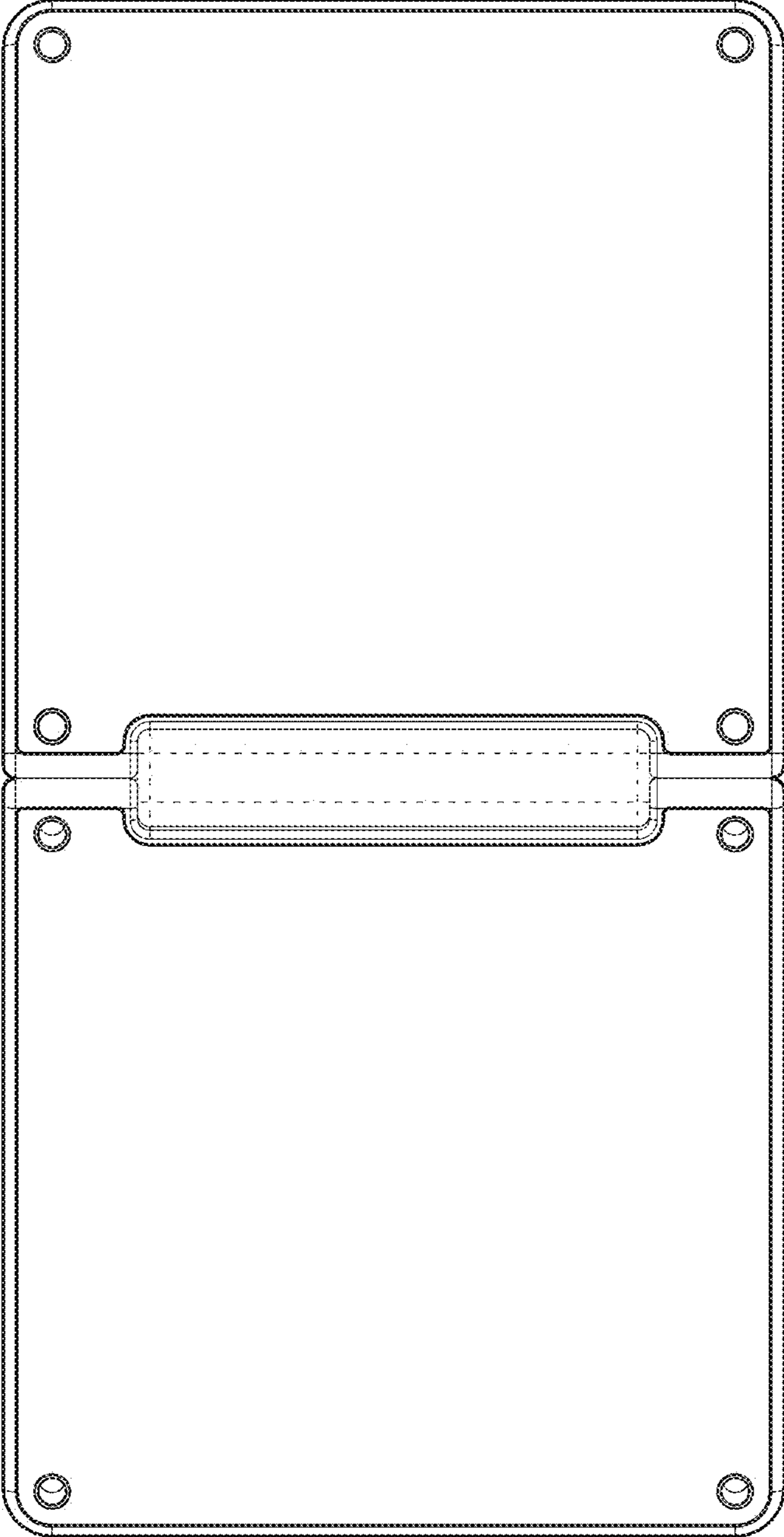


FIG. 4

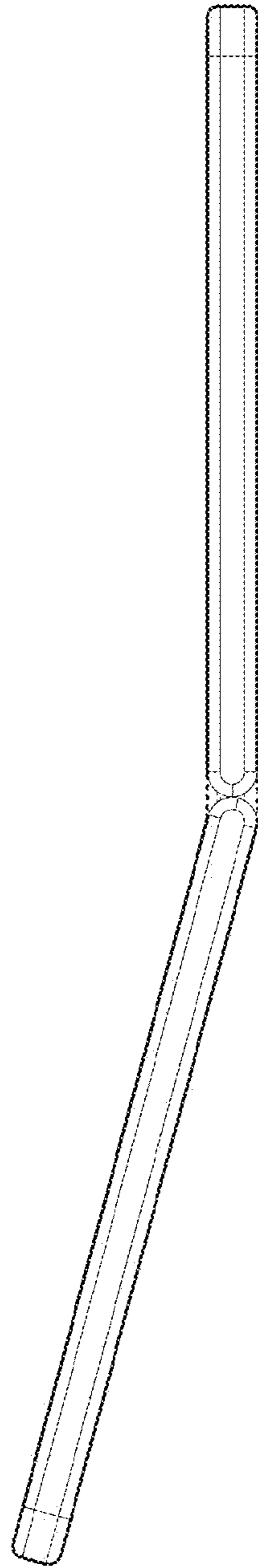


FIG. 5

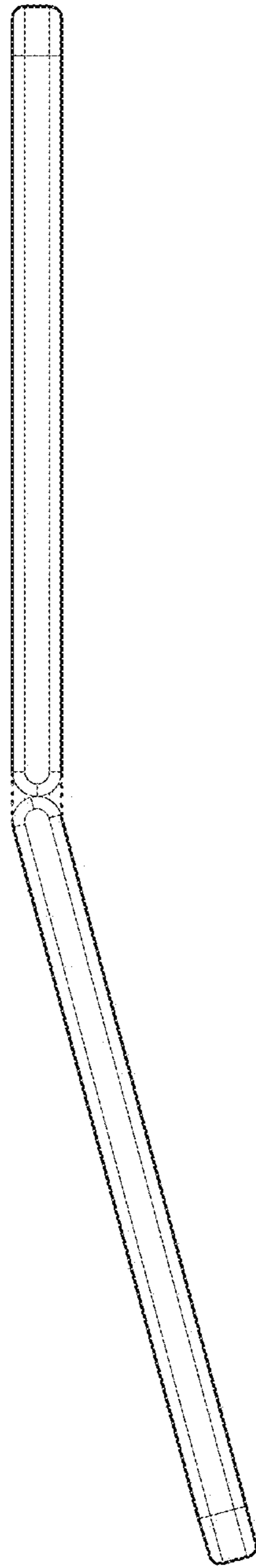


FIG. 6

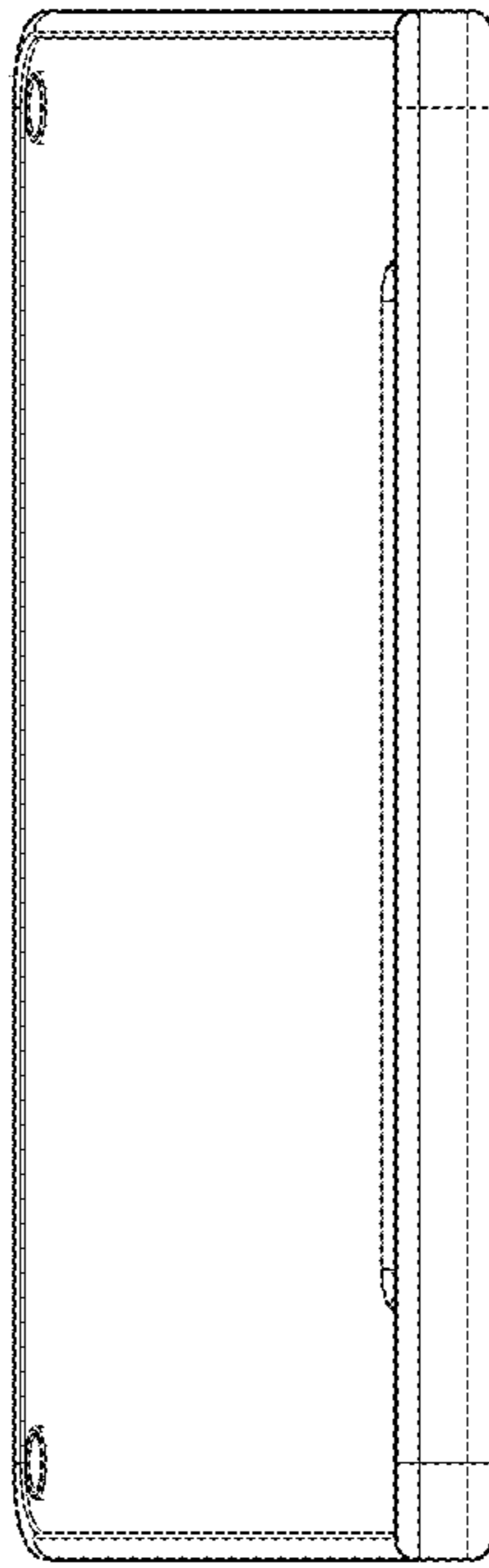


FIG. 7

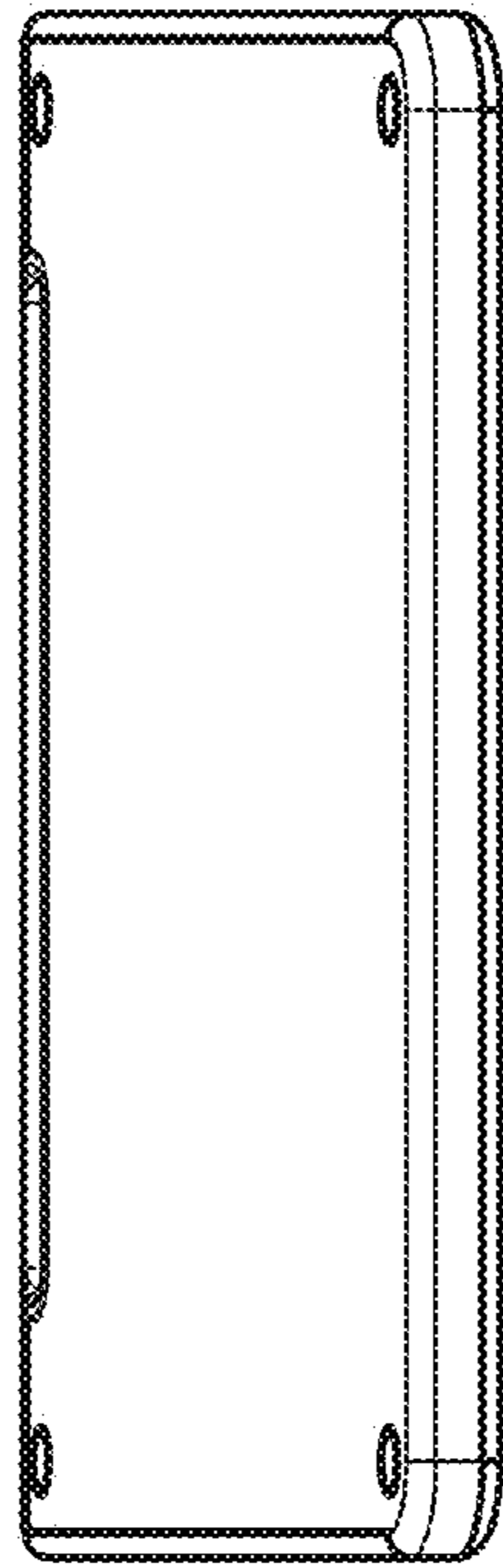


FIG. 8