



US00D760704S

(12) **United States Design Patent**  
**Wise et al.**

(10) **Patent No.:** **US D760,704 S**  
(45) **Date of Patent:** **\*\* Jul. 5, 2016**

(54) **MICROPHONE**  
(71) Applicant: **GIBSON BRANDS, INC.**, Nashville, TN (US)  
(72) Inventors: **Bernard Wise**, Agoura, CA (US); **Martins Saulespurens**, Thousand Oaks, CA (US); **Martin Wolf**, Valencia, CA (US)  
(73) Assignee: **Gibson Brands, Inc.**, Nashville, TN (US)  
(\*\*) Term: **14 Years**  
(21) Appl. No.: **29/513,792**  
(22) Filed: **Jan. 5, 2015**  
(51) **LOC (10) Cl.** ..... **14-02**  
(52) **U.S. Cl.**  
USPC ..... **D14/227**; D14/229  
(58) **Field of Classification Search**  
USPC ..... D14/225–229; D26/142, 145, 135, 139, D26/119, 137, 138; D6/675.1, 677.2, 681.1, D6/681; D24/128; D23/411, 419, 378, D23/382; 362/287; 381/363, 355; 181/158; 248/188.7, 188.8  
CPC ..... H04R 1/00  
See application file for complete search history.

(56) **References Cited**

U.S. PATENT DOCUMENTS

963,913 A \* 7/1910 Lyhne ..... F16M 11/24  
248/124.2  
D48,570 S \* 2/1916 Noble ..... D23/382  
1,725,932 A \* 8/1929 Pfaff, Sr. .... A47G 23/03  
248/687  
2,131,593 A \* 9/1938 Marshall ..... H04R 1/083  
181/148  
2,188,150 A \* 1/1940 Malat ..... H04M 1/15  
248/185.1  
2,263,668 A \* 11/1941 Woodworth ..... H04R 1/08  
362/239  
D135,320 S \* 3/1943 Dann ..... 381/363  
2,336,828 A \* 12/1943 Zarth ..... H04R 25/04  
381/104  
D150,457 S \* 8/1948 Pike ..... D14/227  
D150,458 S \* 8/1948 Pike ..... D14/227  
2,623,957 A \* 12/1952 Cragg ..... H04M 1/11  
181/242  
D179,540 S \* 1/1957 Knetchtberger ..... 248/185.1

2,969,436 A \* 1/1961 Kilyk ..... H04R 1/08  
381/363  
2,984,713 A \* 5/1961 Swinehart ..... H04M 1/03  
200/52 R  
3,005,905 A \* 10/1961 Libson ..... F21V 33/00  
362/294  
3,053,339 A \* 9/1962 Kishi ..... H04R 1/083  
181/158  
D194,151 S \* 11/1962 Deschamps ..... D14/228  
3,414,686 A \* 12/1968 Reinthaler ..... H04R 1/08  
181/242  
3,488,456 A \* 1/1970 Maki ..... H04R 1/08  
381/363  
D262,535 S \* 1/1982 Fisher ..... D14/229  
4,361,737 A \* 11/1982 Peterson ..... H04R 1/04  
200/18  
D317,834 S \* 7/1991 Cajetan ..... D6/611  
5,048,789 A \* 9/1991 Eason ..... F16M 11/00  
248/188.7  
5,450,303 A \* 9/1995 Markiewicz ..... F16M 11/06  
248/183.2  
5,497,965 A \* 3/1996 Mathieu, Jr. .... F16M 11/00  
248/159  
D384,770 S \* 10/1997 Bray ..... D26/123  
6,113,250 A \* 9/2000 Lin ..... F21S 6/003  
362/287  
D535,645 S \* 1/2007 Probst ..... D14/225  
D550,895 S \* 9/2007 Huang ..... D26/142  
D551,661 S \* 9/2007 Probst ..... D14/225  
7,412,069 B2 \* 8/2008 Workman ..... H04R 1/08  
381/363  
D589,029 S \* 3/2009 Lee ..... D14/207

\* cited by examiner

Primary Examiner — Paula Greene

(74) Attorney, Agent, or Firm — Bates & Bates, LLC; Andrea Bates; Kathryn Cox

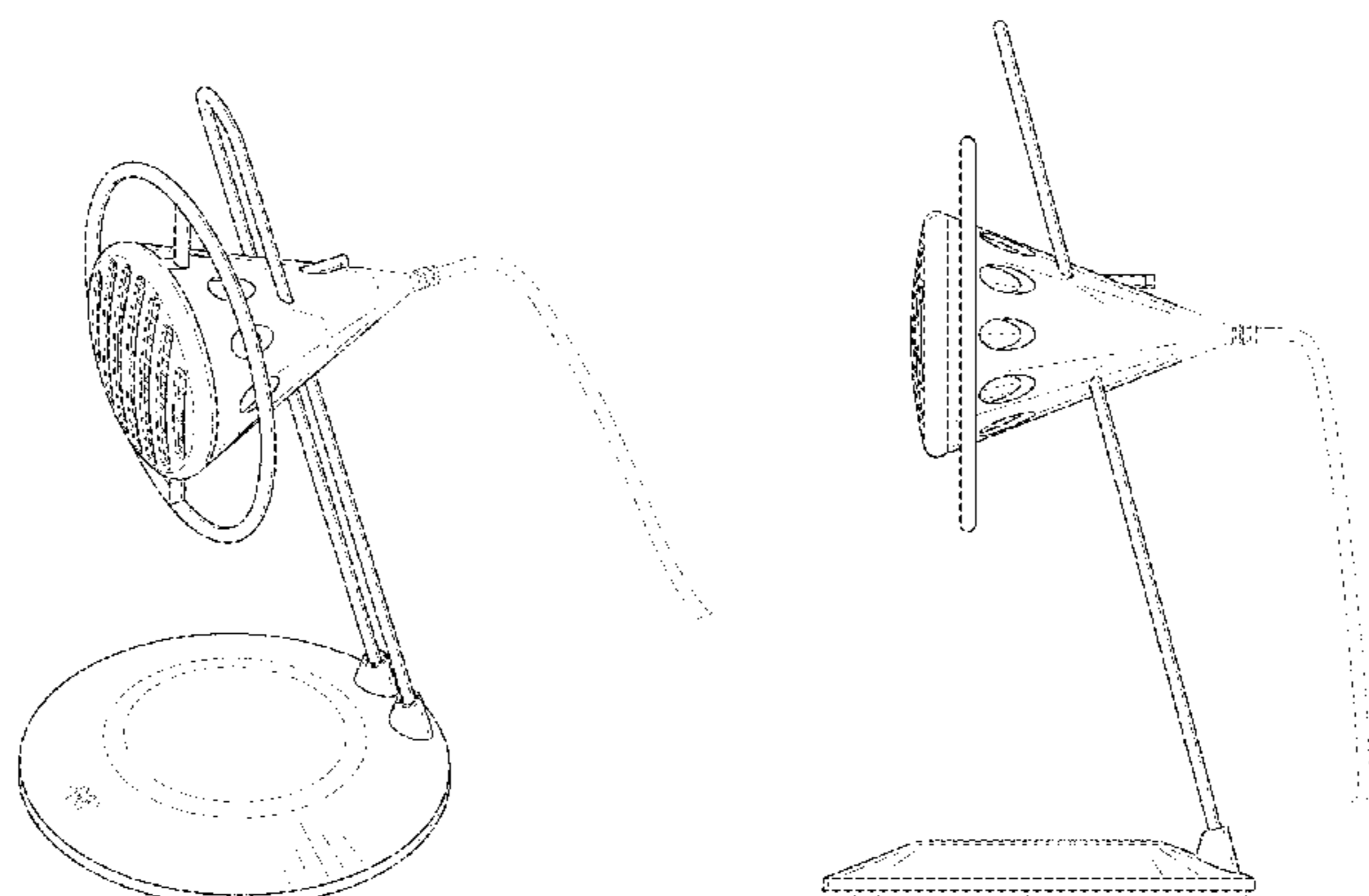
(57) **CLAIM**

What is claimed is the ornamental design for a microphone, as shown and described.

**DESCRIPTION**

FIG. 1 is a perspective view of a microphone;  
FIG. 2 is a front view of the microphone;  
FIG. 3 is a back view of the microphone;  
FIG. 4 left side view of the microphone;  
FIG. 5 is a right side view of the microphone;  
FIG. 6 is a top view of the microphone;  
FIG. 7 is a bottom view of the microphone; and,  
FIG. 8 is an alternative perspective view of the microphone.  
The broken lines figure no part of the claimed design.

**1 Claim, 8 Drawing Sheets**



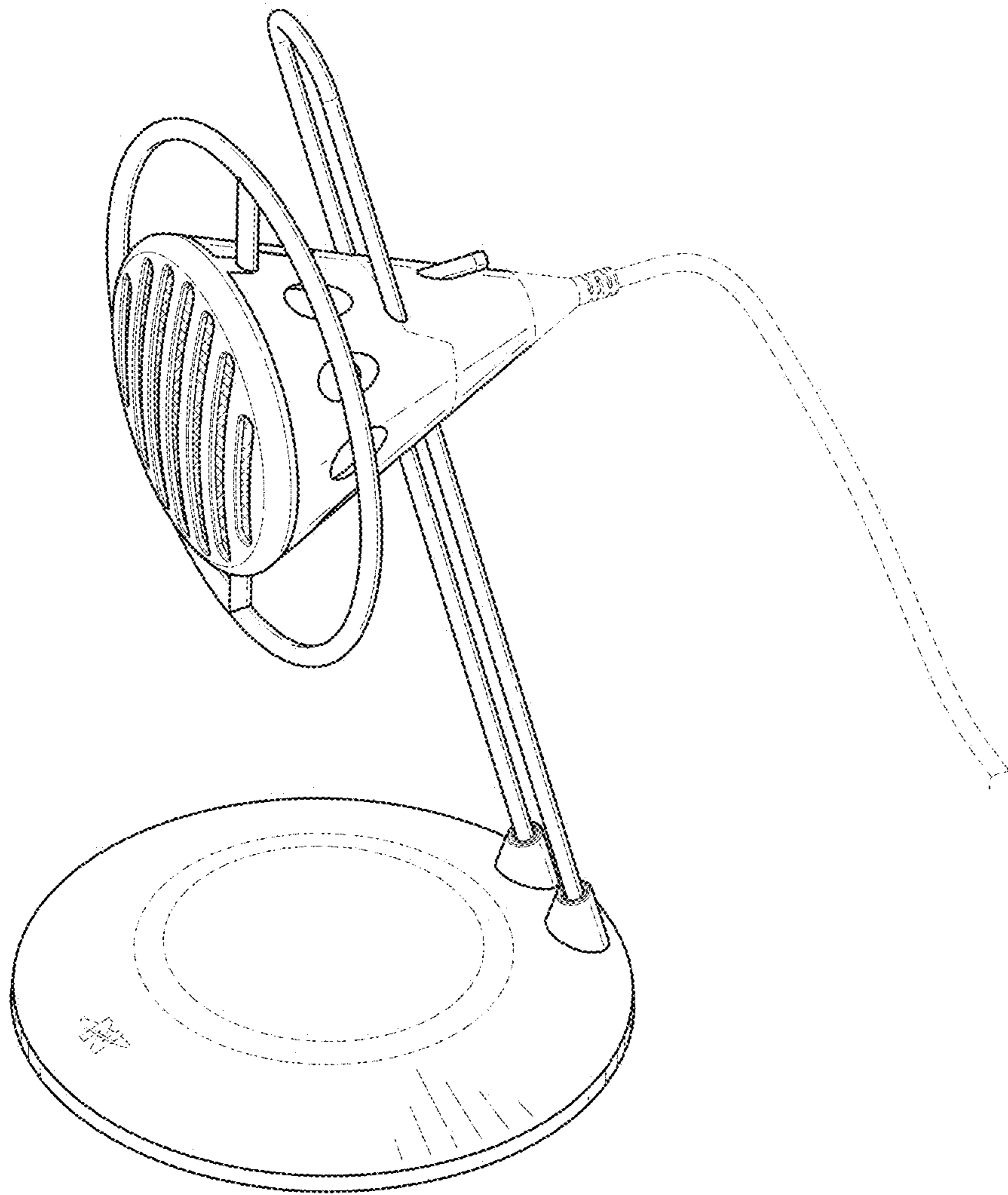


FIG. 1

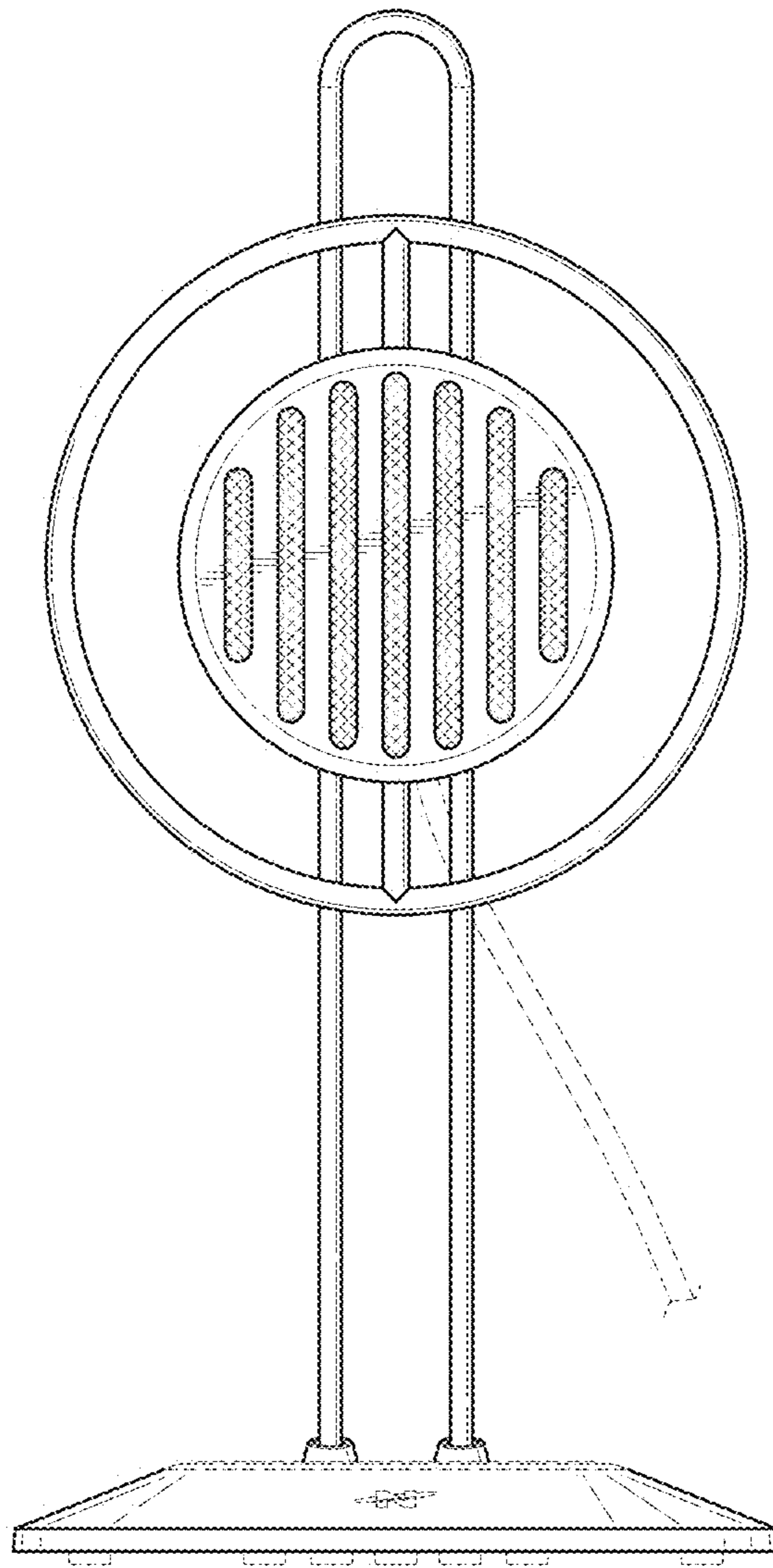


FIG. 2

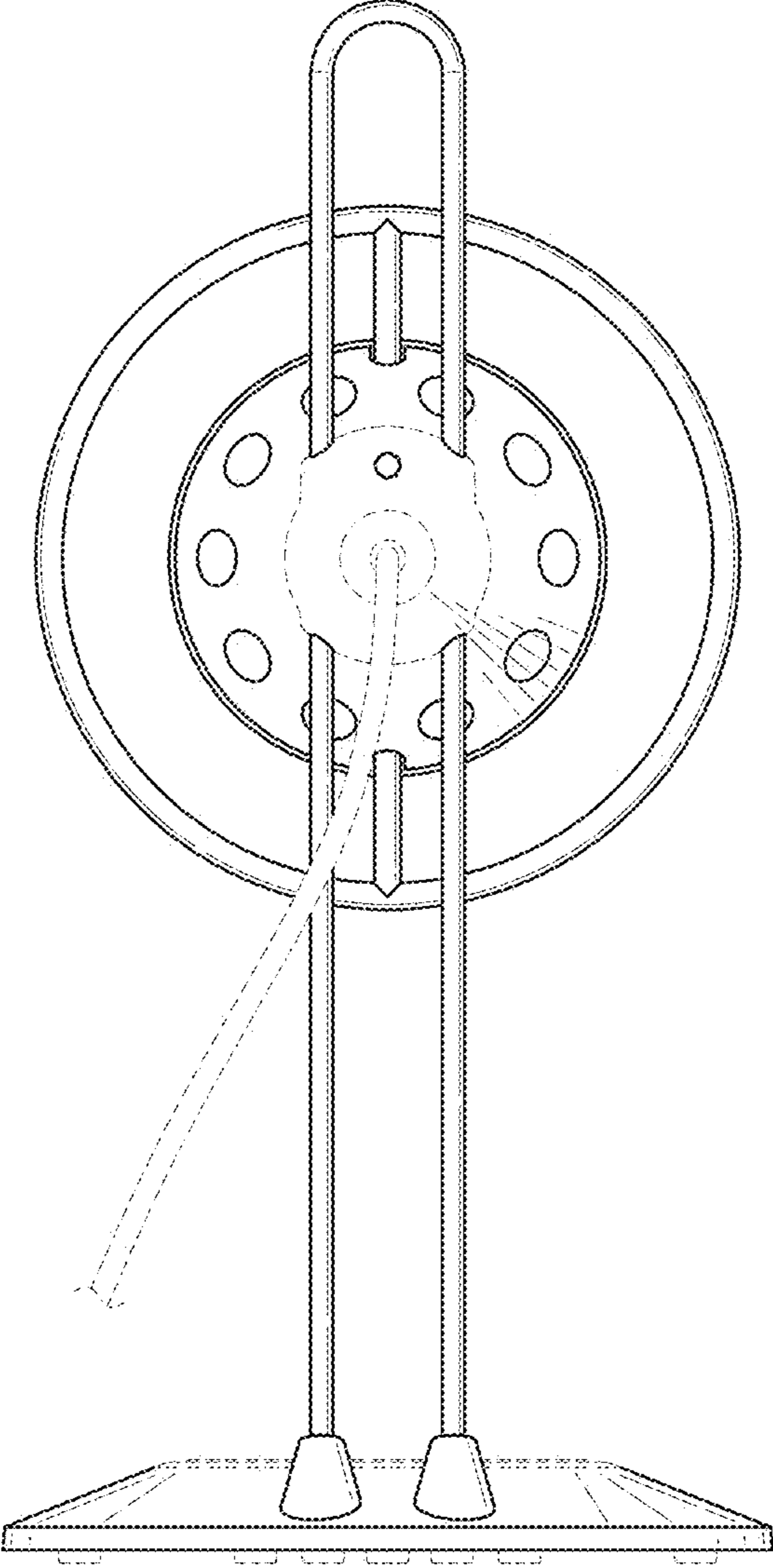


FIG. 3

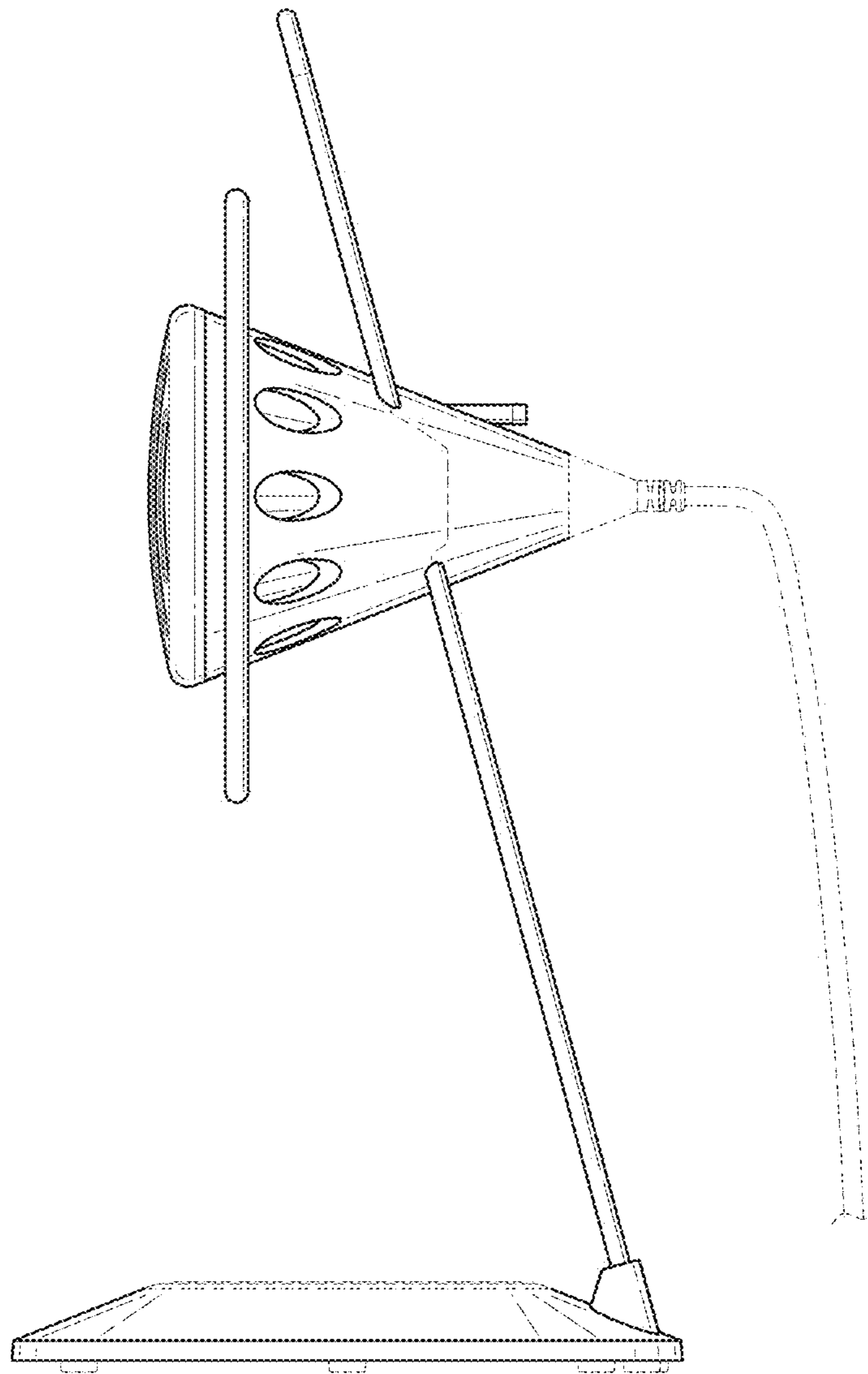


FIG. 4

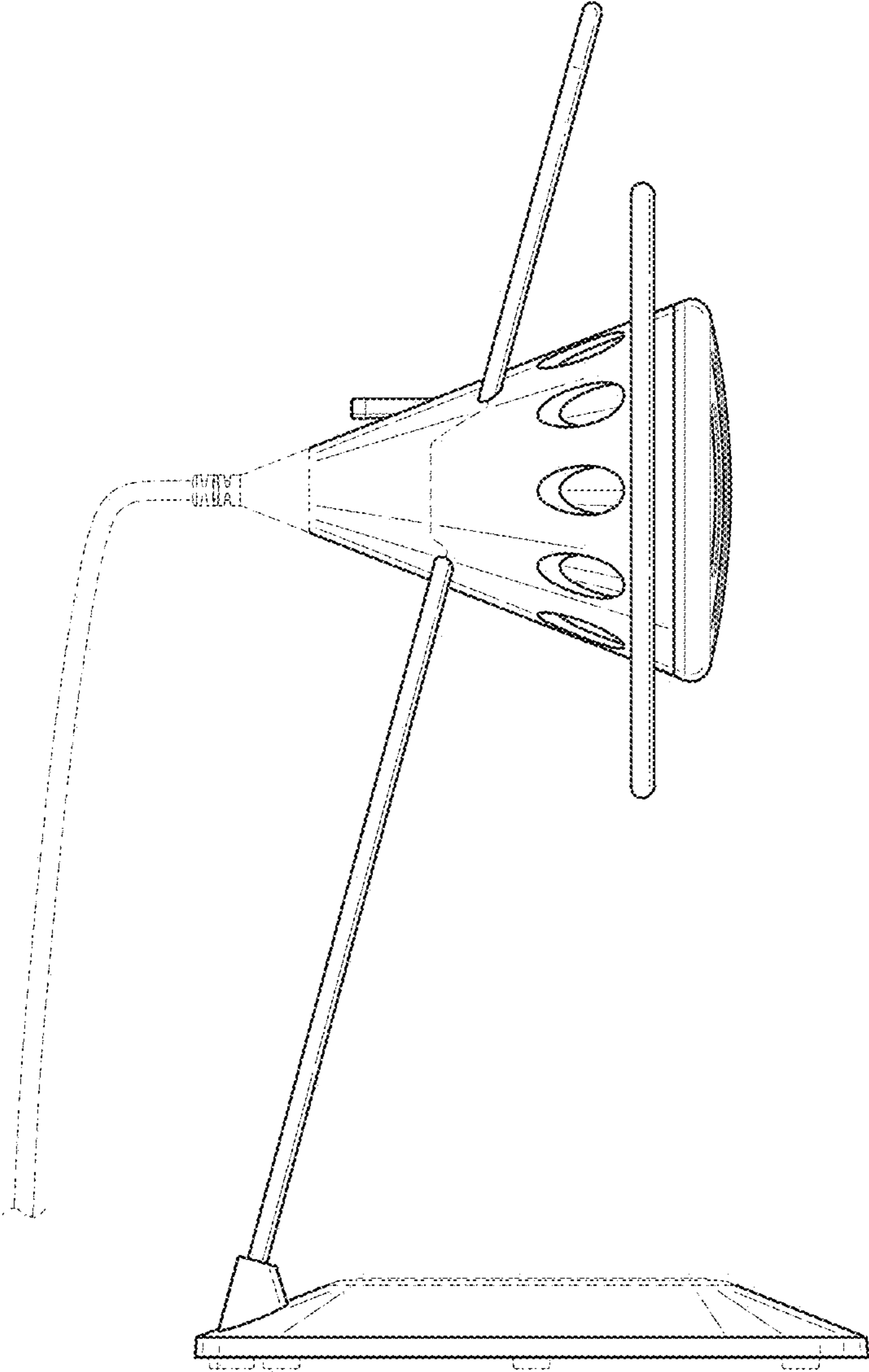


FIG. 5

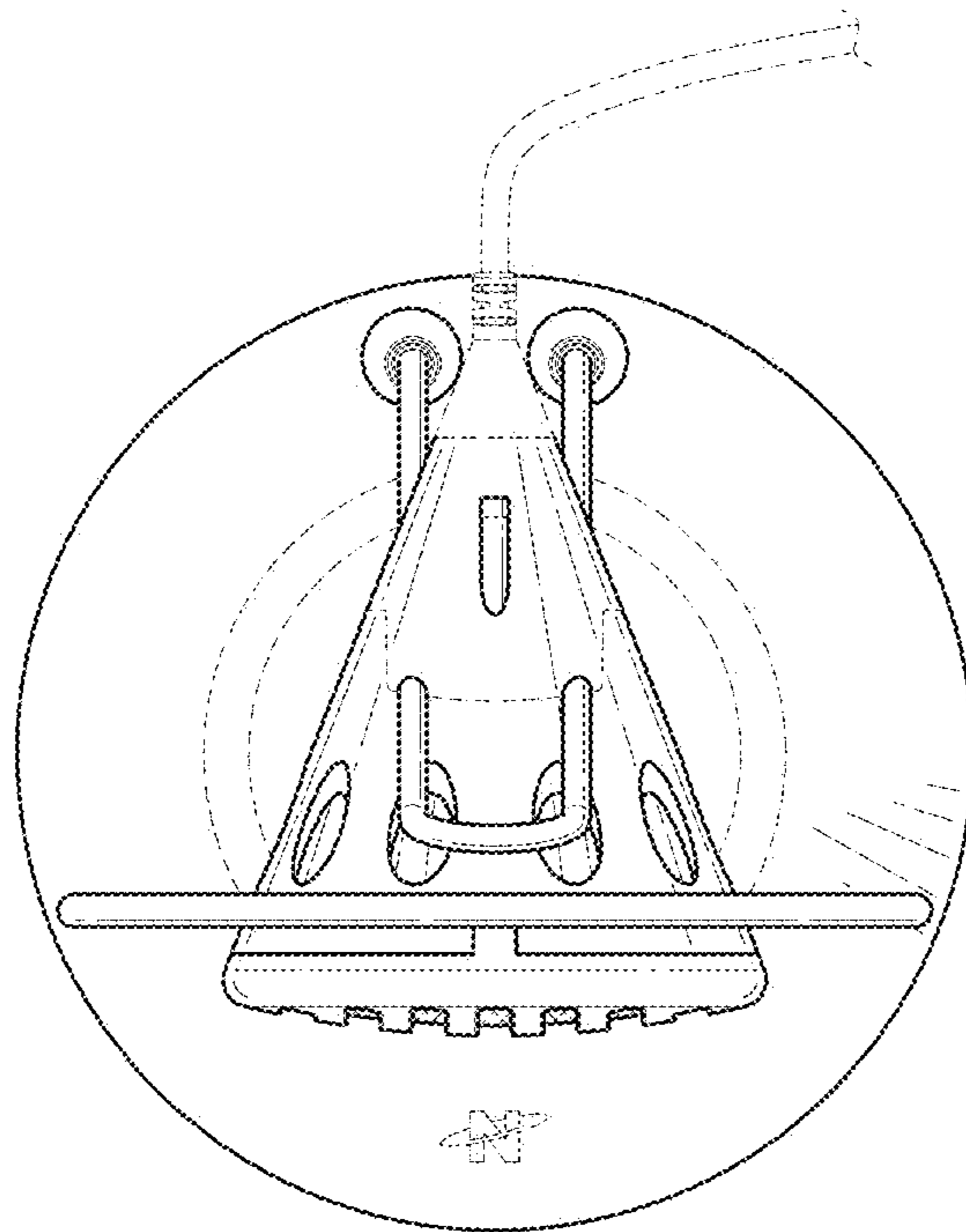


FIG. 6

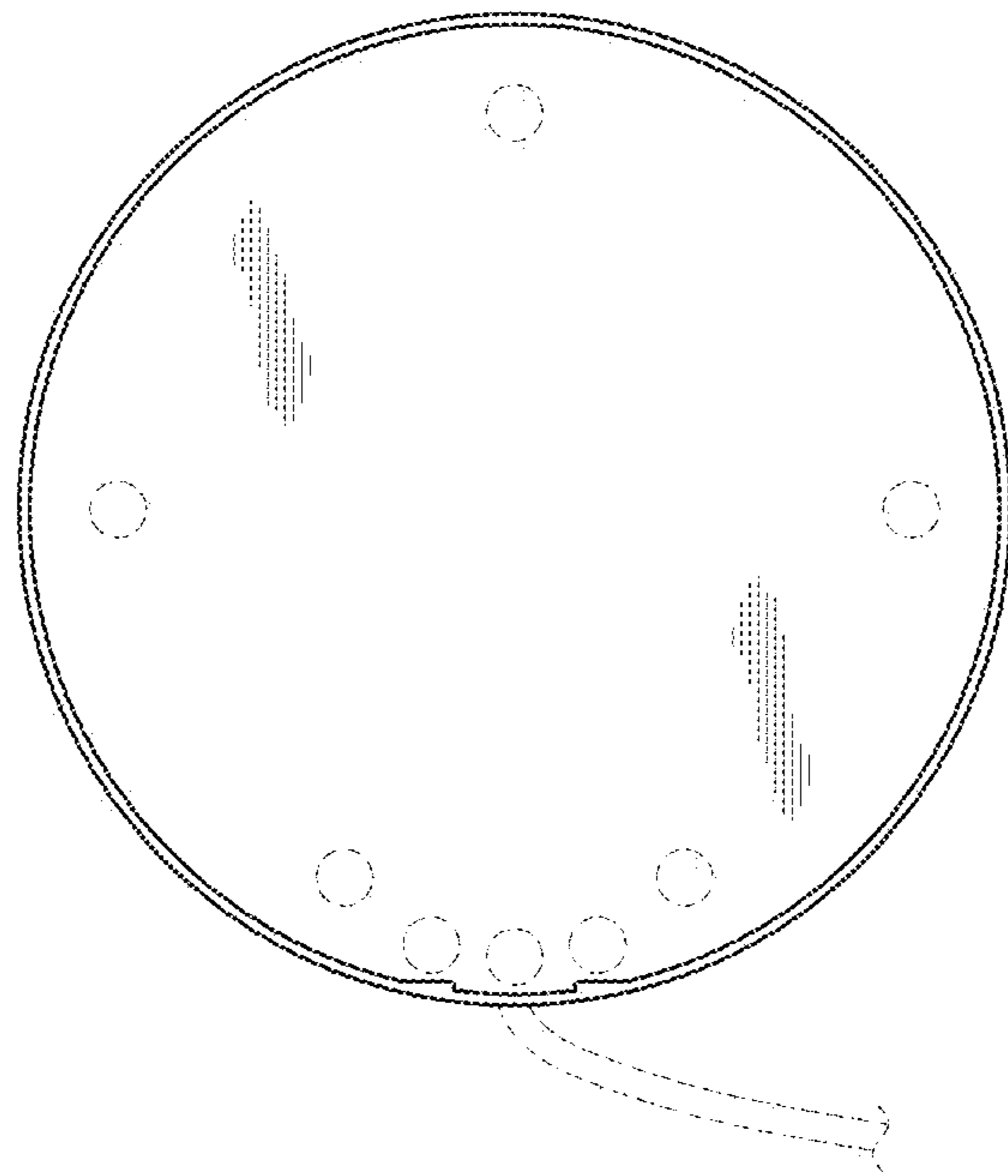


FIG. 7



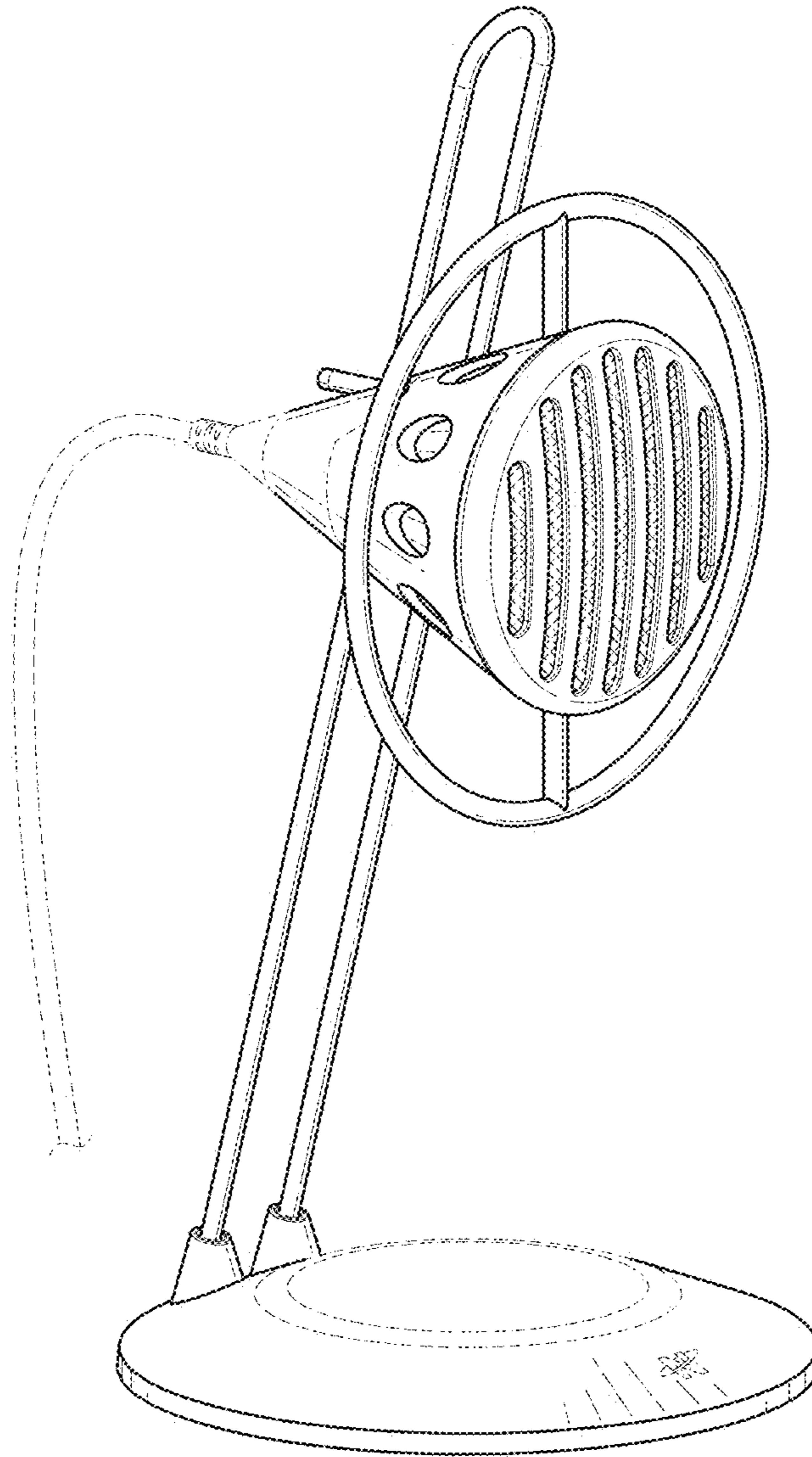


FIG. 8