



US00D760702S

(12) **United States Design Patent**  
**Sul**

(10) **Patent No.:** **US D760,702 S**  
(45) **Date of Patent:** **\*\* Jul. 5, 2016**

- (54) **REMOTE CONTROLLER**
- (71) Applicant: **Samsung Electronics Co., Ltd.**,  
Suwon-si (KR)
- (72) Inventor: **Sungwoo Sul**, Yongin-si (KR)
- (73) Assignee: **Samsung Electronics Co., Ltd.**,  
Suwon-si (KR)
- (\*\*) Term: **14 Years**
- (21) Appl. No.: **29/524,910**
- (22) Filed: **Apr. 24, 2015**
- (51) **LOC (10) Cl.** ..... **14-03**
- (52) **U.S. Cl.**  
USPC ..... **D14/218**
- (58) **Field of Classification Search**  
USPC ..... D14/137, 174, 217–218, 240, 247,  
D14/388–390, 396, 511; D21/516;  
D13/162–164, 168; 715/738; 434/350;  
600/323; 348/211.99, 14.05, 114, 734;  
341/175–176; 455/575.1  
CPC ..... G08C 23/04; G08C 19/12; H04N 5/44;  
H04L 17/02  
See application file for complete search history.

D622,703 S *	8/2010	Cheng Teh	.....	D14/218
D631,871 S *	2/2011	Demskie	.....	D14/218
D635,556 S *	4/2011	Suzuki	.....	D14/218
D636,380 S *	4/2011	Valeur	.....	D14/218
D664,521 S *	7/2012	VanDuyn	.....	D14/218
D671,529 S *	11/2012	Zalianskas	.....	D14/218
D697,498 S *	1/2014	Forde	.....	D14/218
D697,499 S *	1/2014	McManigal	.....	D14/218
8,674,814 B2 *	3/2014	Harris	.....	G08C 17/00 340/12.22
8,803,655 B2 *	8/2014	Hatambeiki	.....	G06F 3/0346 340/12.22
D716,767 S *	11/2014	Lee	.....	D14/218
D722,044 S *	2/2015	Daniel	.....	D14/218
D723,007 S *	2/2015	Oh	.....	D14/218
9,178,363 B2 *	11/2015	Walley	.....	H02J 7/0004

\* cited by examiner

*Primary Examiner* — Ralf Seifert

(74) *Attorney, Agent, or Firm* — Ladas & Parry LLP

(57) **CLAIM**

I claim the ornamental design for the remote controller, as shown and described.

**DESCRIPTION**

FIG. 1 is the front perspective view of the remote controller showing my new design;  
 FIG. 2 is the front view thereof;  
 FIG. 3 is the rear view thereof;  
 FIG. 4 is the left-side view thereof;  
 FIG. 5 is the right-side view thereof;  
 FIG. 6 is the top plan view thereof;  
 FIG. 7 is the bottom plan view thereof; and,  
 FIG. 8 is a perspective view thereof shown in an example environment.

The broken lines in the drawing show unclaimed environment only and form no part of the claimed design.

**1 Claim, 8 Drawing Sheets**

(56) **References Cited**

**U.S. PATENT DOCUMENTS**

4,897,821 A *	1/1990	Thierry	.....	G08C 23/04 367/13
5,481,256 A *	1/1996	Darbee	.....	G08C 19/28 341/176
D448,358 S *	9/2001	Tickle	.....	D14/218
D497,882 S *	11/2004	Huang	.....	D13/168
D603,843 S *	11/2009	Einaudi	.....	D14/218
D609,197 S *	2/2010	Koskela	.....	D13/168

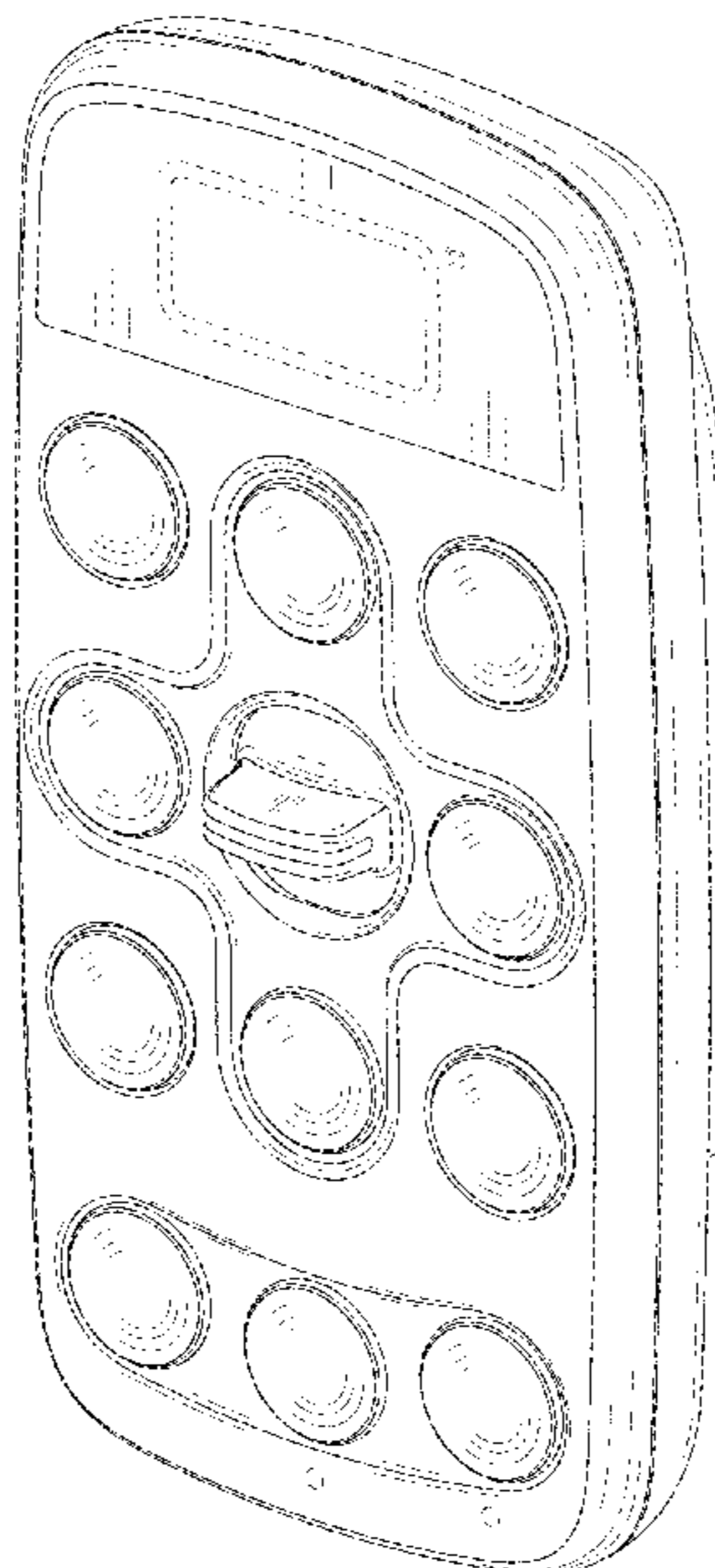


FIG. 1

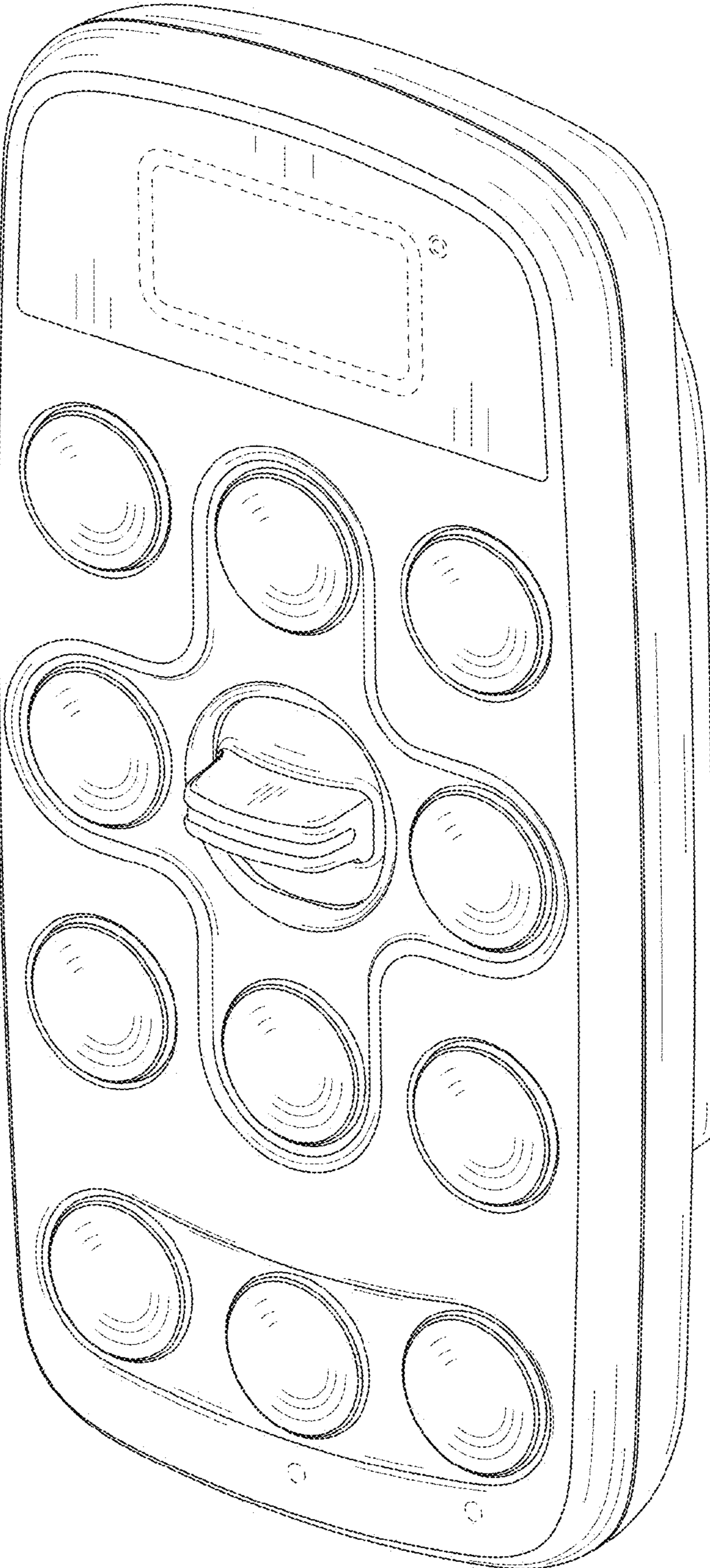


FIG. 2

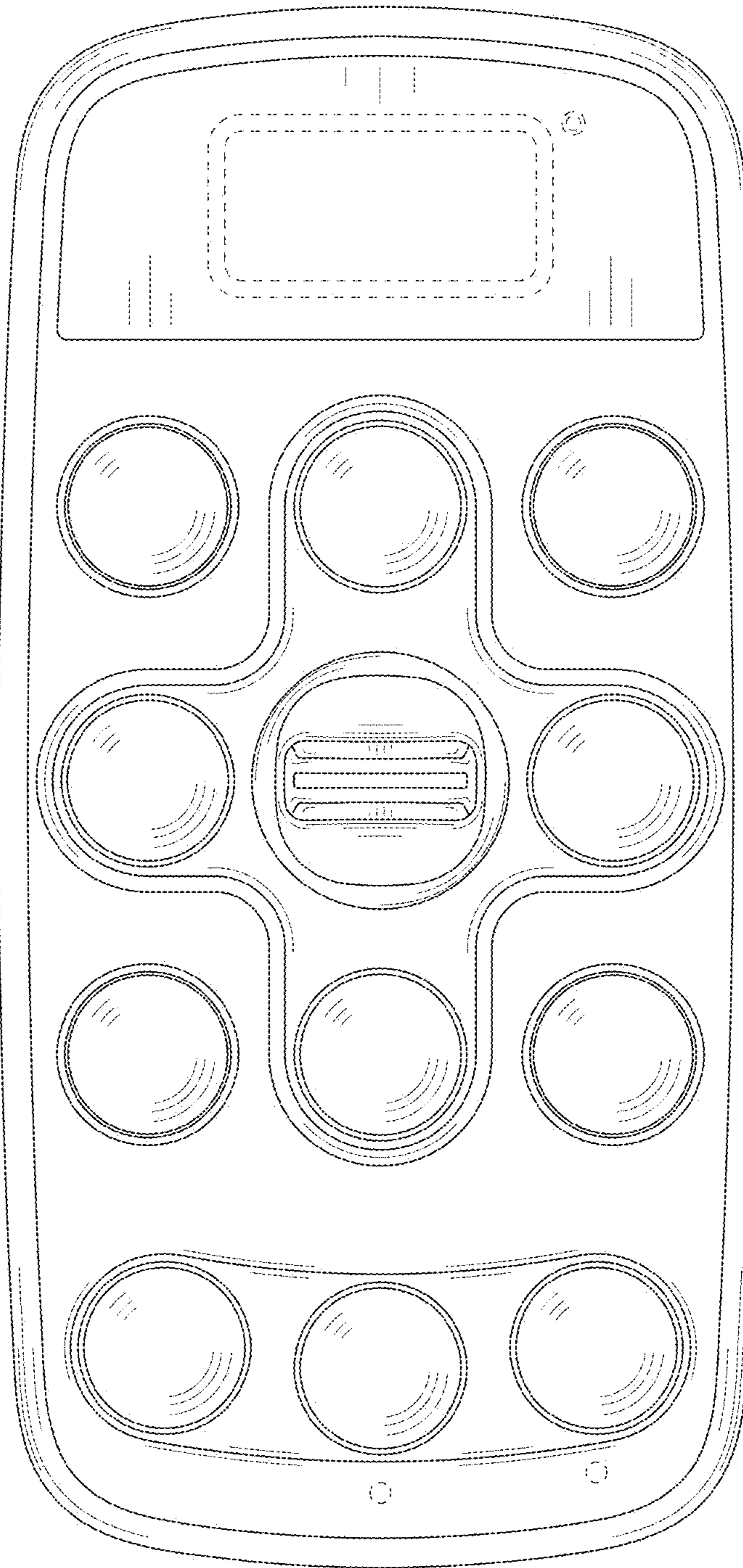


FIG. 3

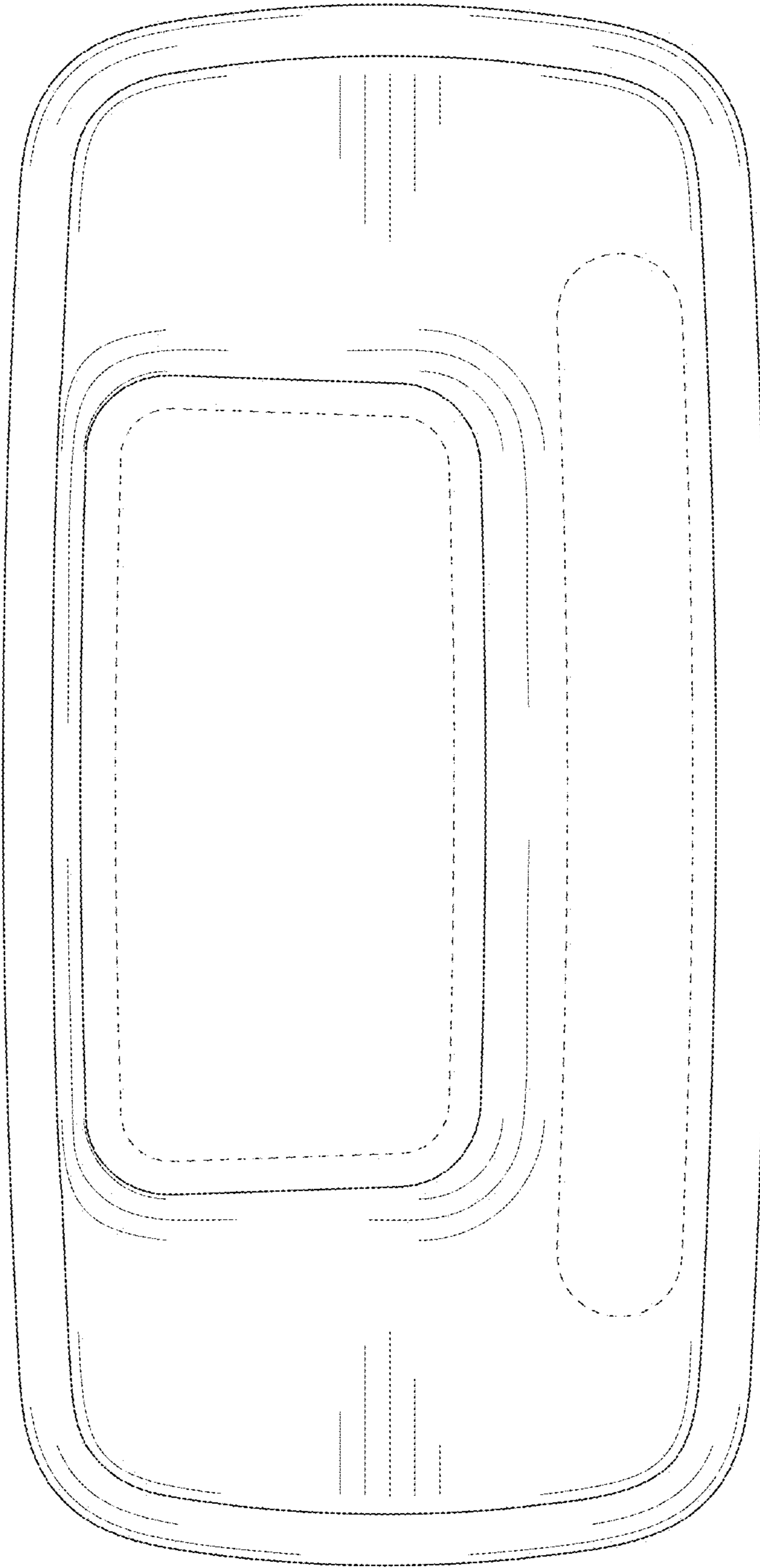


FIG. 4

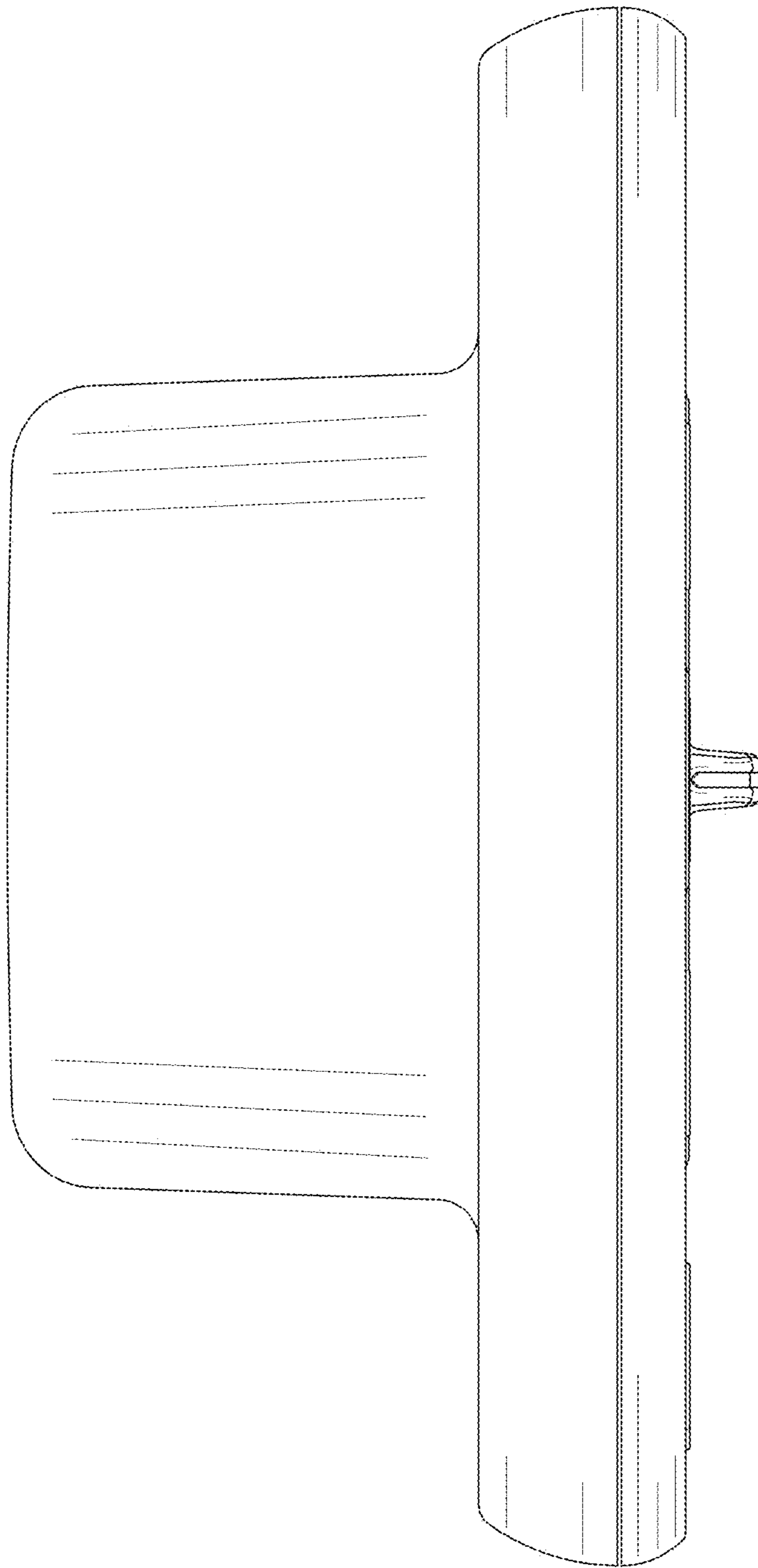


FIG. 5

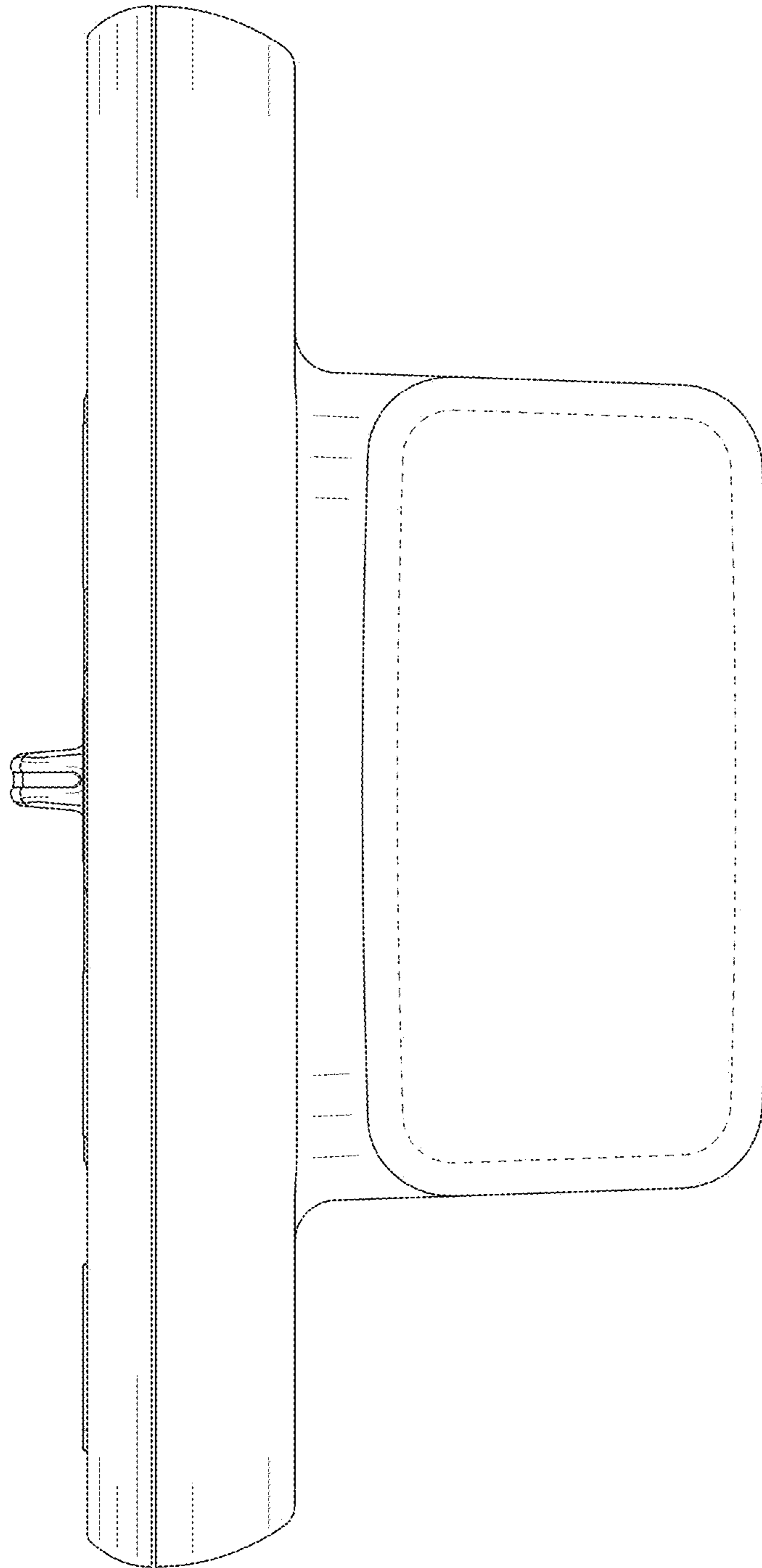


FIG. 6

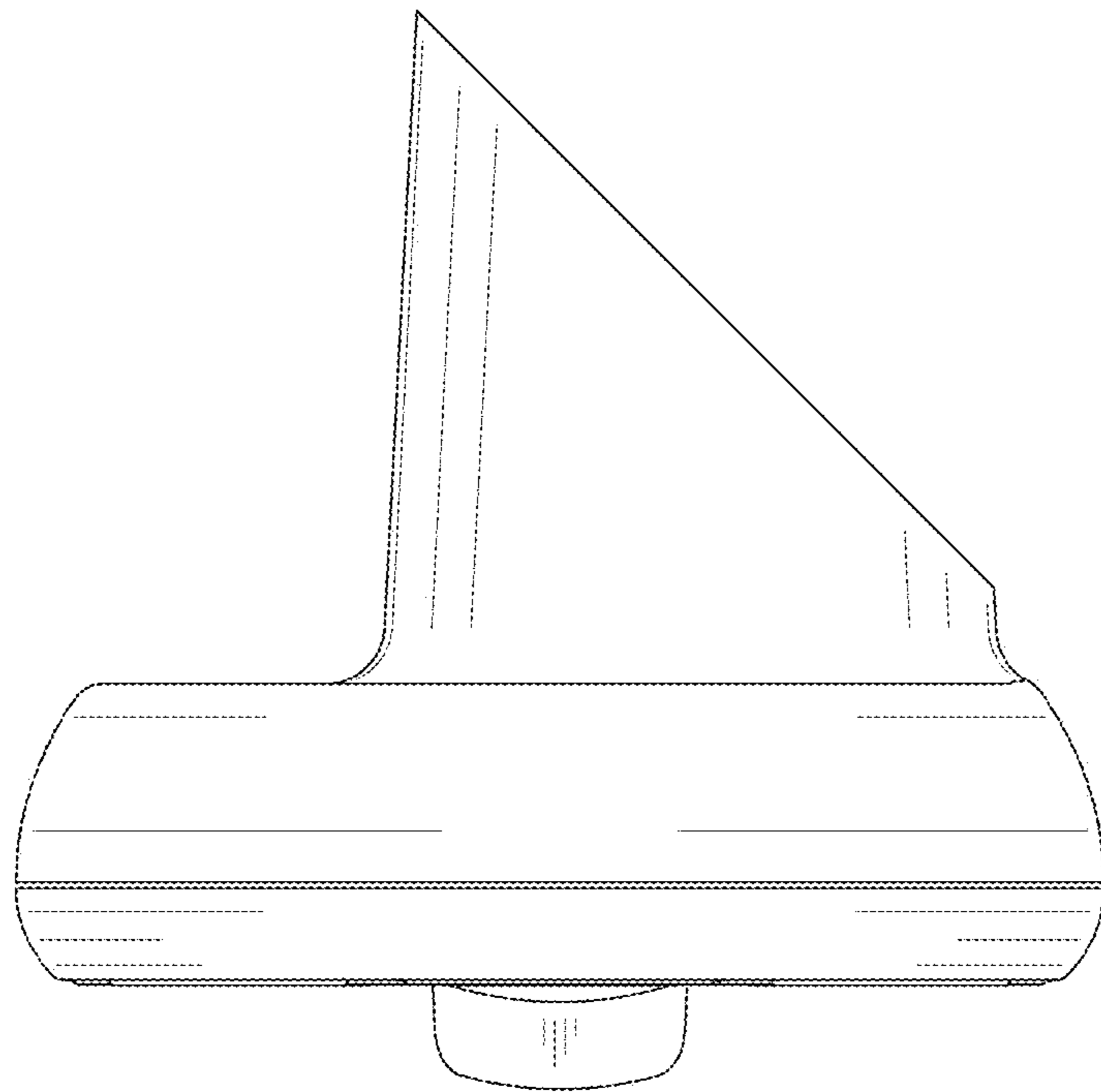


FIG. 7

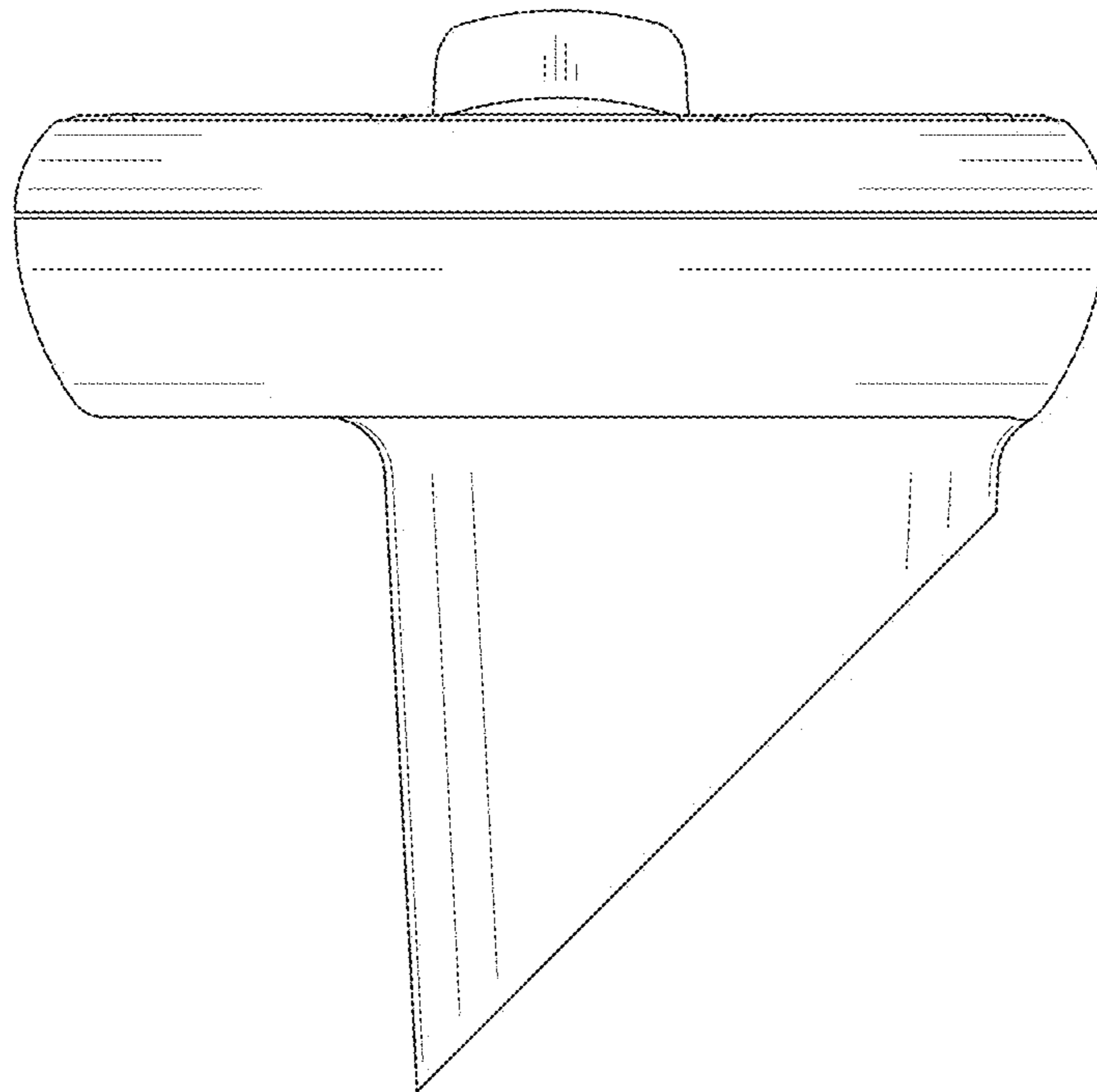
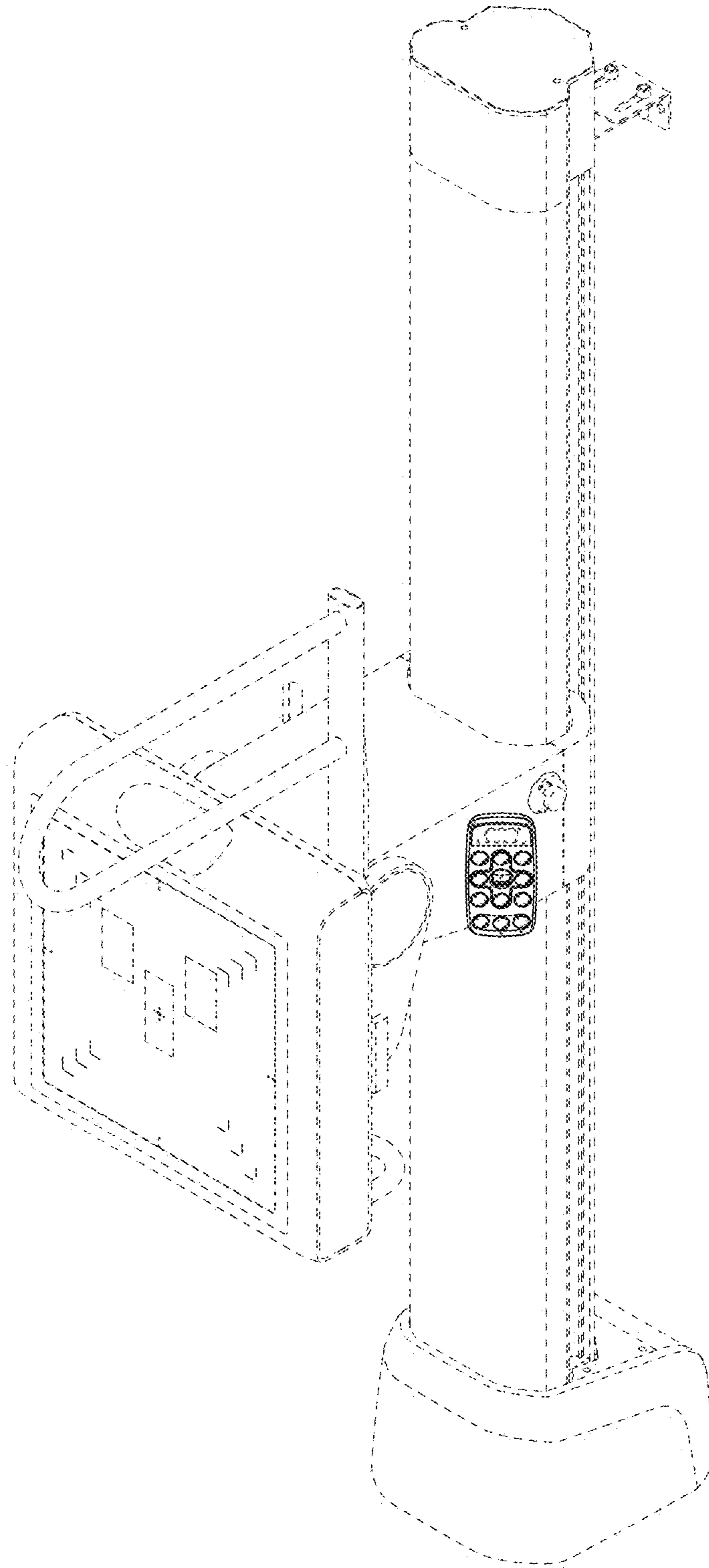




FIG. 8



UNITED STATES PATENT AND TRADEMARK OFFICE  
**CERTIFICATE OF CORRECTION**

PATENT NO. : D760,702 S  
APPLICATION NO. : 29/524910  
DATED : July 5, 2016  
INVENTOR(S) : Sungwoo Sul

Page 1 of 1

It is certified that error appears in the above-identified patent and that said Letters Patent is hereby corrected as shown below:

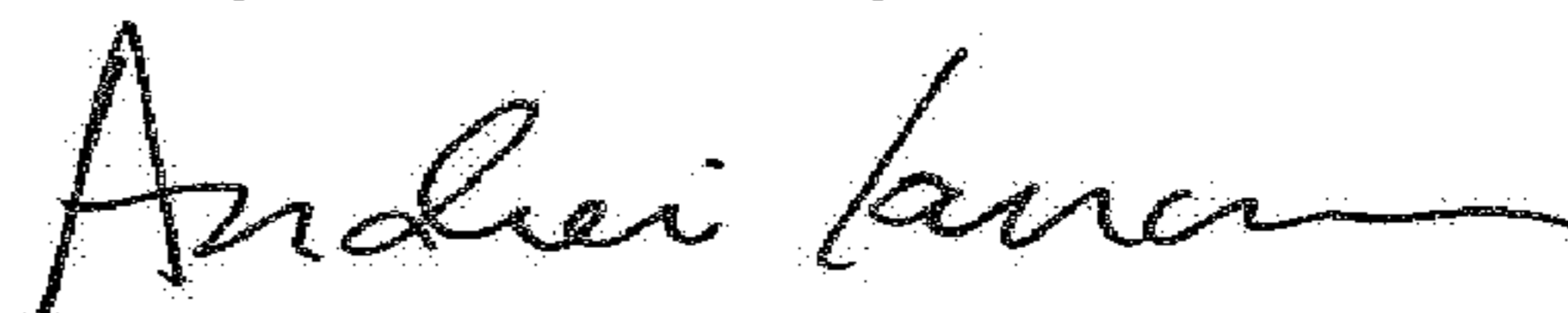
On the Title Page

Please add:

(30) Foreign Application Priority Data

Nov. 28, 2014 (KR)..... 30-2014-0057854

Signed and Sealed this  
Twenty-seventh Day of March, 2018



Andrei Iancu  
*Director of the United States Patent and Trademark Office*