



US00D760697S

(12) **United States Design Patent**
Zhao

(10) **Patent No.:** **US D760,697 S**
(45) **Date of Patent:** **** Jul. 5, 2016**

(54) **THERMO-HYGROMETER WATERPROOF
BLUETOOTH SPEAKER**

(71) Applicant: **Baohua Zhao**, Shenzhen (CN)

(72) Inventor: **Baohua Zhao**, Shenzhen (CN)

(**) Term: **15 Years**

(21) Appl. No.: **29/534,107**

(22) Filed: **Jul. 27, 2015**

(51) **LOC (10) Cl.** **14-03**

(52) **U.S. Cl.**
USPC **D14/216**

(58) **Field of Classification Search**
USPC D14/167, 168, 170–172, 188, 194–196,
D14/204, 207, 209.1, 210–216, 219, 221,
D14/222, 224, 239, 496; 181/143, 144, 147,
181/148, 150, 153, 157, 198, 199;
381/300–303, 306, 332, 333, 336, 345,
381/361–364, 386–388; 369/6–12
CPC B60R 11/0217; G06F 1/1688; G10K 9/22;
G10K 11/004; H03F 1/327; H04M 1/03;
H04M 1/035; H04N 5/642; H04N 21/4852;
H04R 1/02; H04R 1/06; H04R 1/021; H04R
1/025; H04R 1/026; H04R 1/028; H04R
1/105; H04R 1/323; H04R 1/403; H04R
1/2803; H04R 1/2834; H04R 5/02; H04R
7/20; H04R 9/06; H04R 9/025; H04R
2201/021; H04R 2400/00; H04R 2400/07;
H04R 2499/11; H04R 2499/13; H04R
2499/15; H04S 3/00; H04S 7/30

See application file for complete search history.

(56) **References Cited**

U.S. PATENT DOCUMENTS

D474,169 S *	5/2003	Fletcher	D14/159
D537,072 S *	2/2007	Kim	D14/215
D602,911 S *	10/2009	Wang	D14/216
D682,805 S *	5/2013	Rath	D14/149
D719,138 S *	12/2014	Schwartz	D14/216
D728,525 S *	5/2015	Zhang	D14/216
D742,359 S *	11/2015	Zhao	D14/216

* cited by examiner

Primary Examiner — Keli L Hill

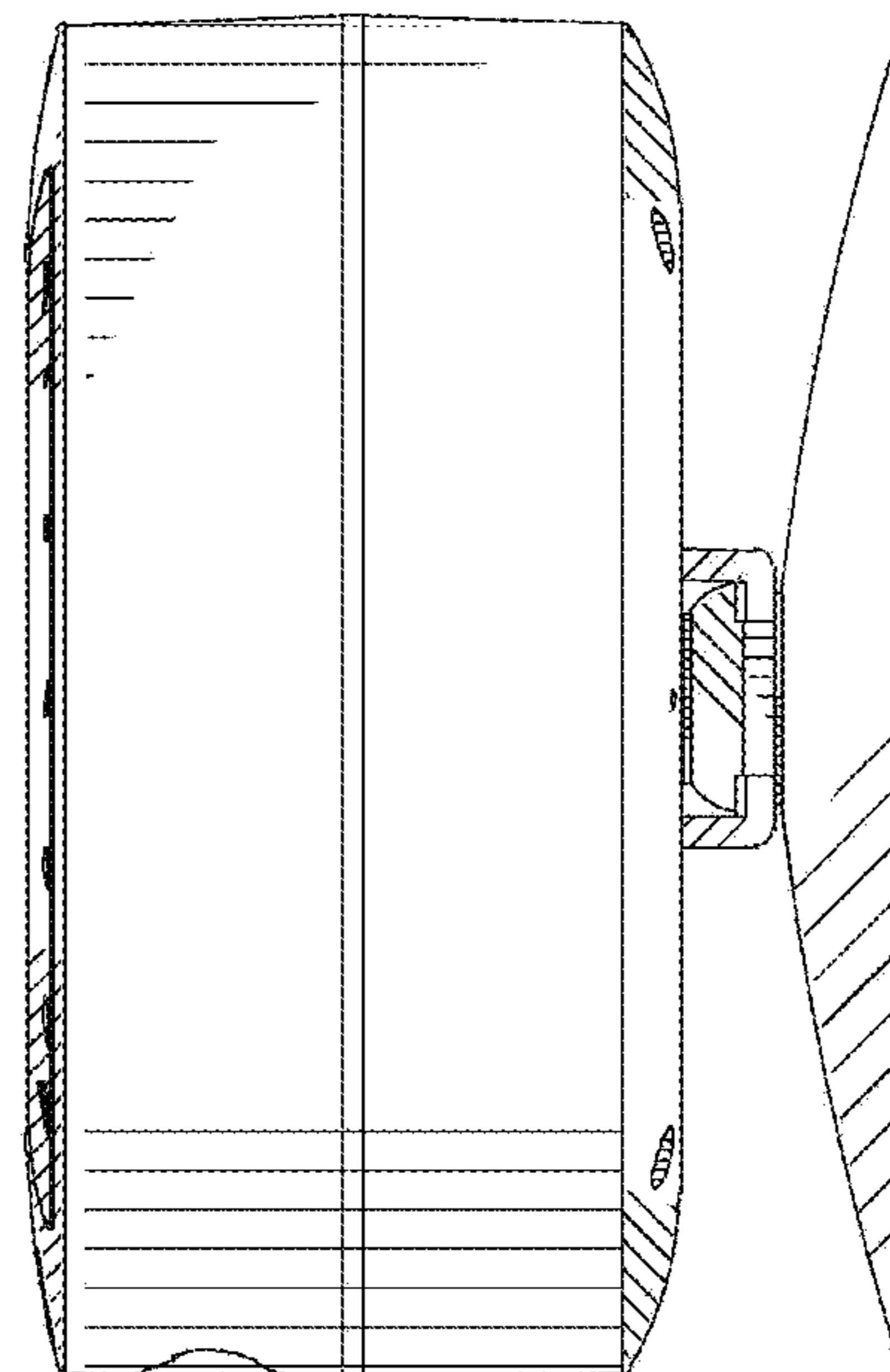
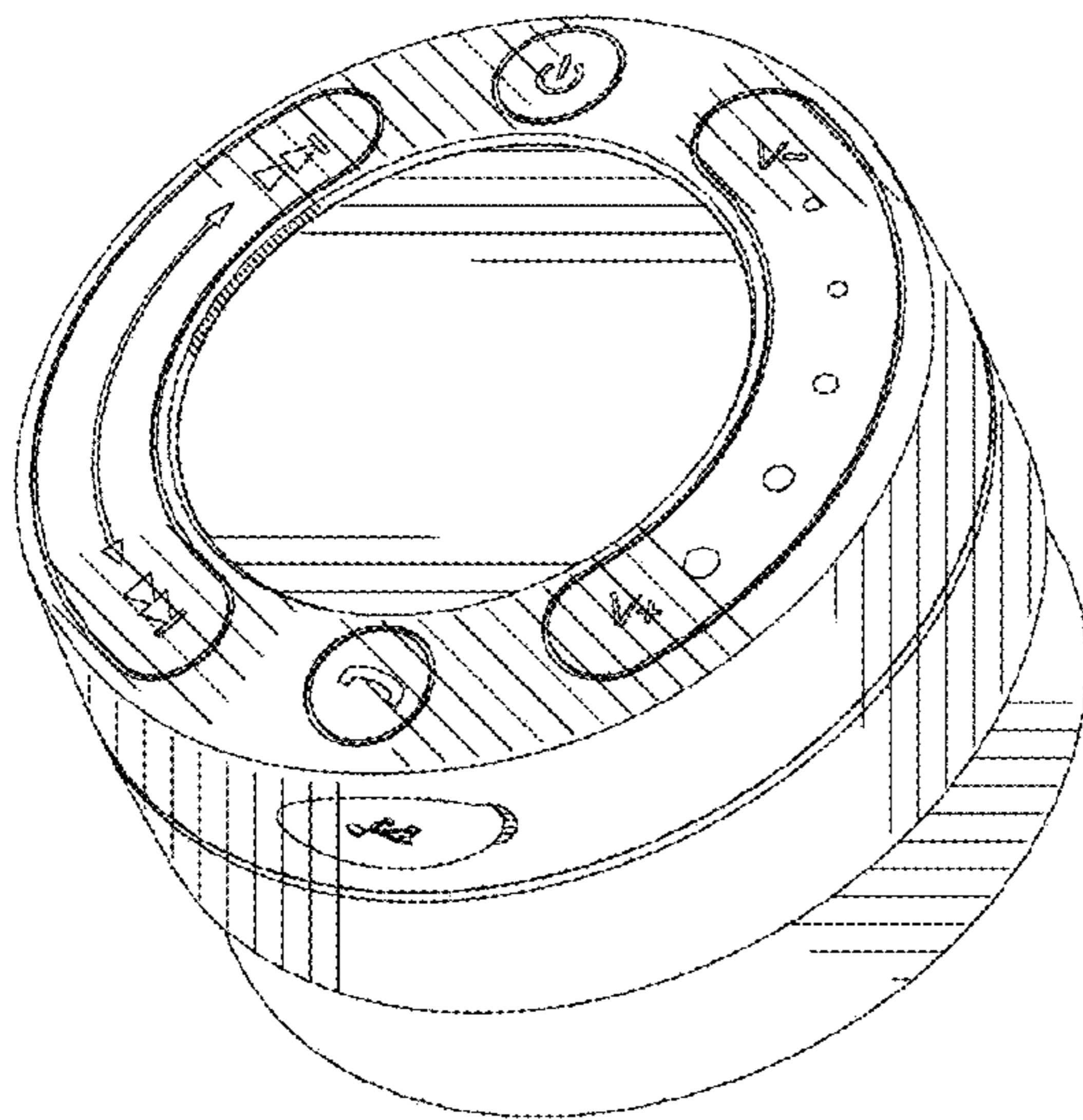
(57) **CLAIM**

The ornamental design for the thermo-hygrometer water-
proof bluetooth speaker, as shown.

DESCRIPTION

FIG. 1 is the perspective view of the thermo-hygrometer
waterproof bluetooth speaker showing my new design;
FIG. 2 is the left side view thereof;
FIG. 3 is the right side view thereof;
FIG. 4 is the top plan view thereof;
FIG. 5 is the bottom plan view thereof;
FIG. 6 is the front elevational view thereof; and,
FIG. 7 is the rear elevational view thereof.

1 Claim, 7 Drawing Sheets



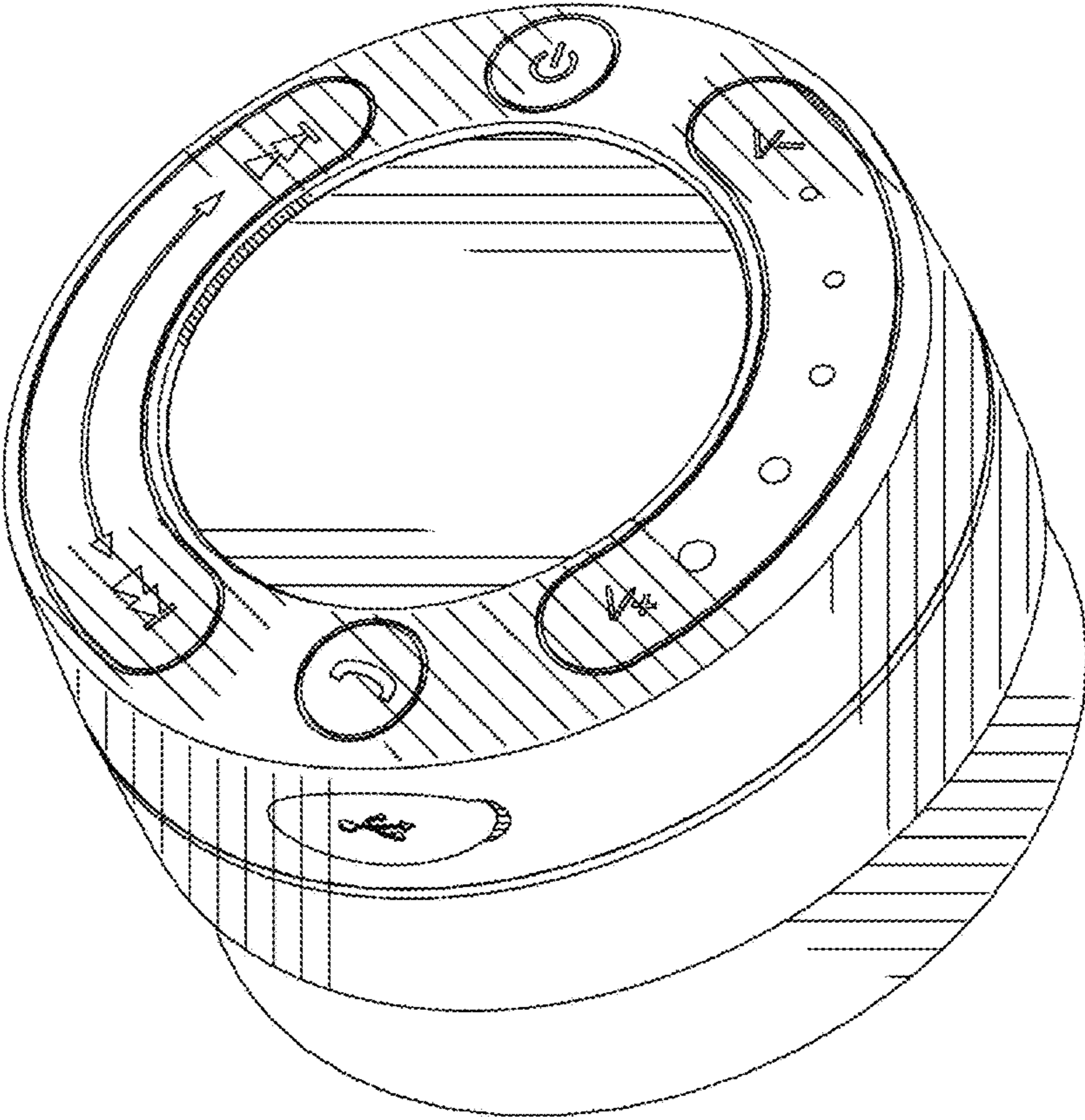


Fig. 1

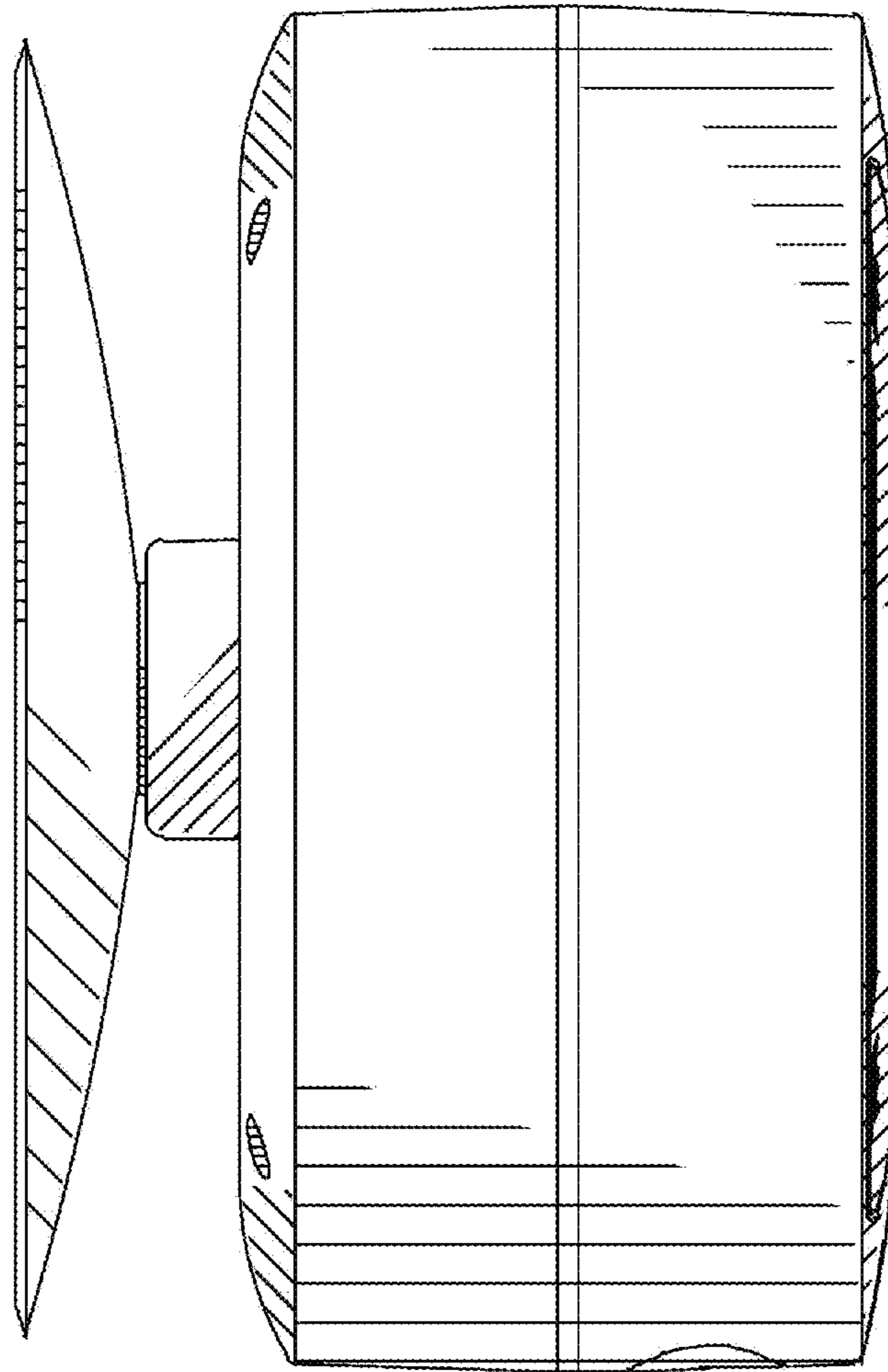


Fig. 2

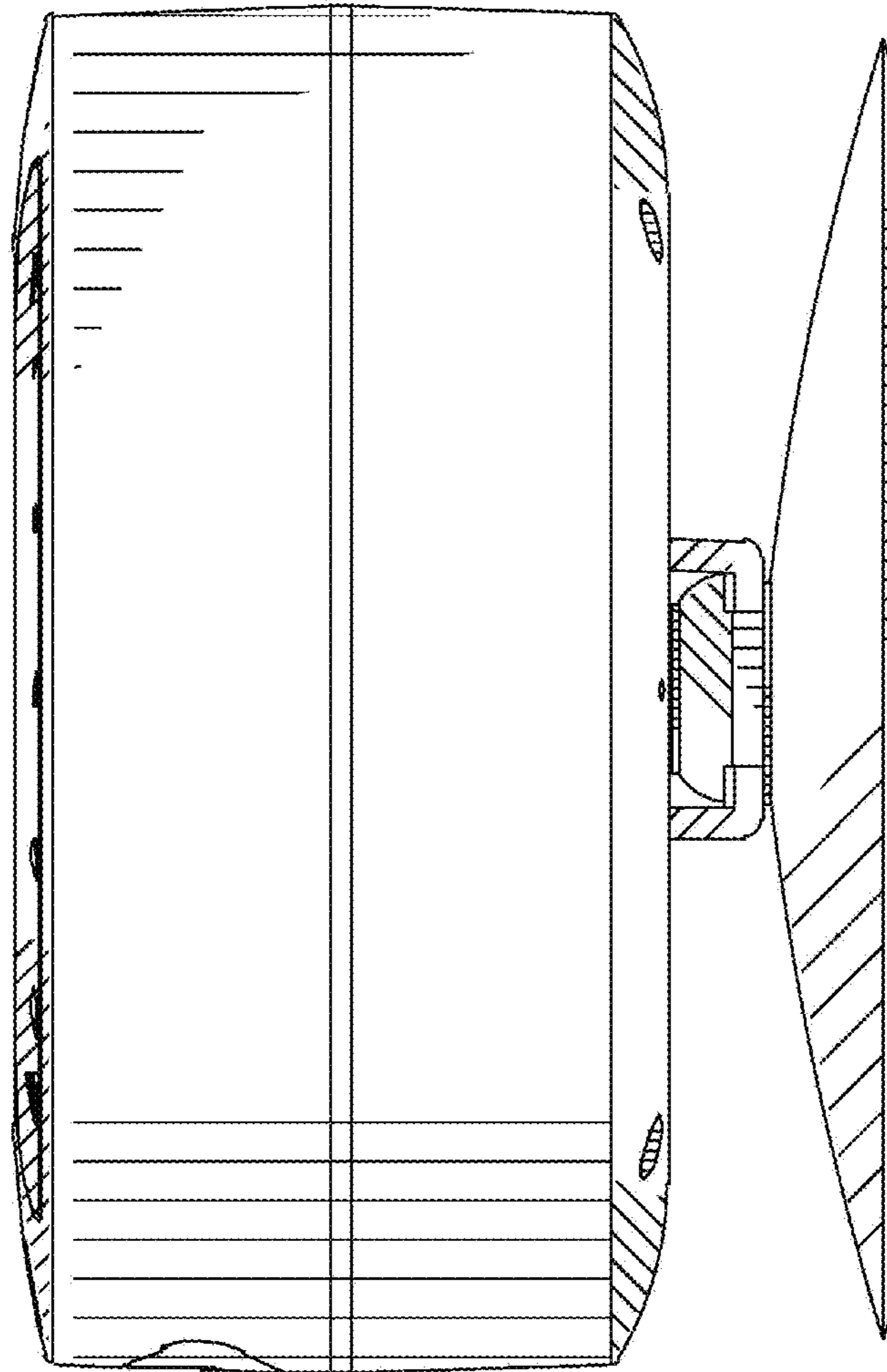


Fig. 3

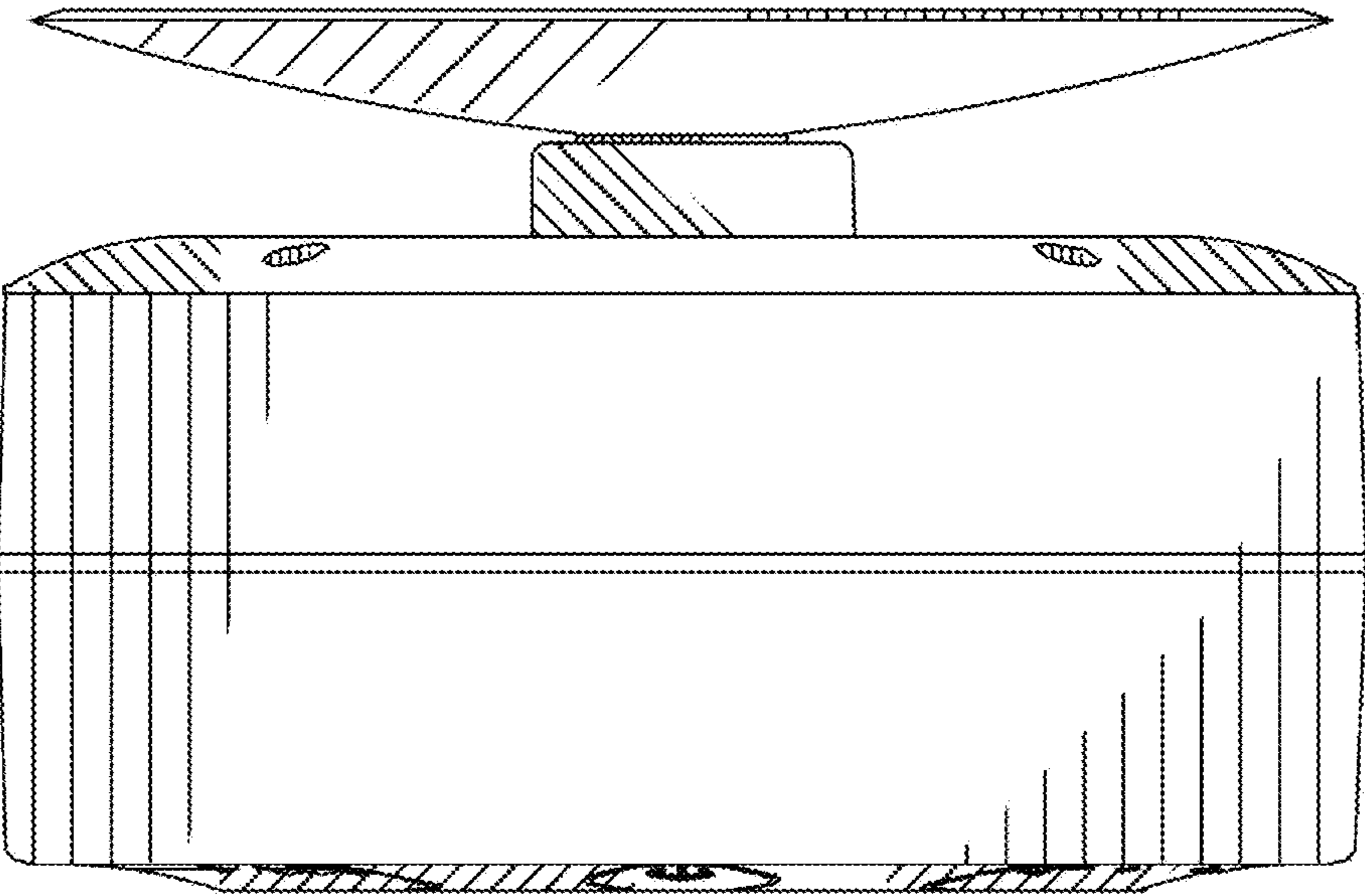


Fig. 4

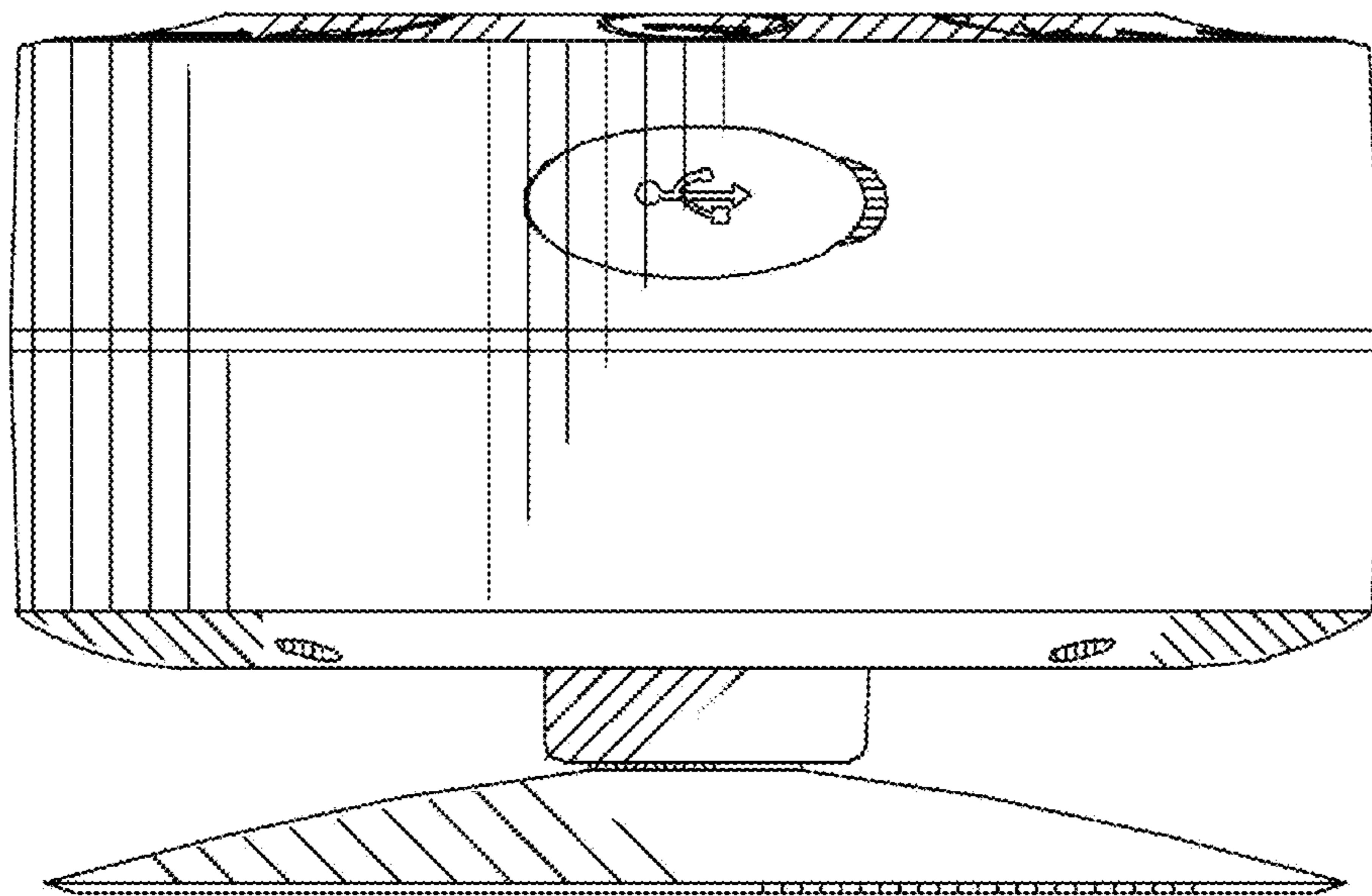


Fig. 5

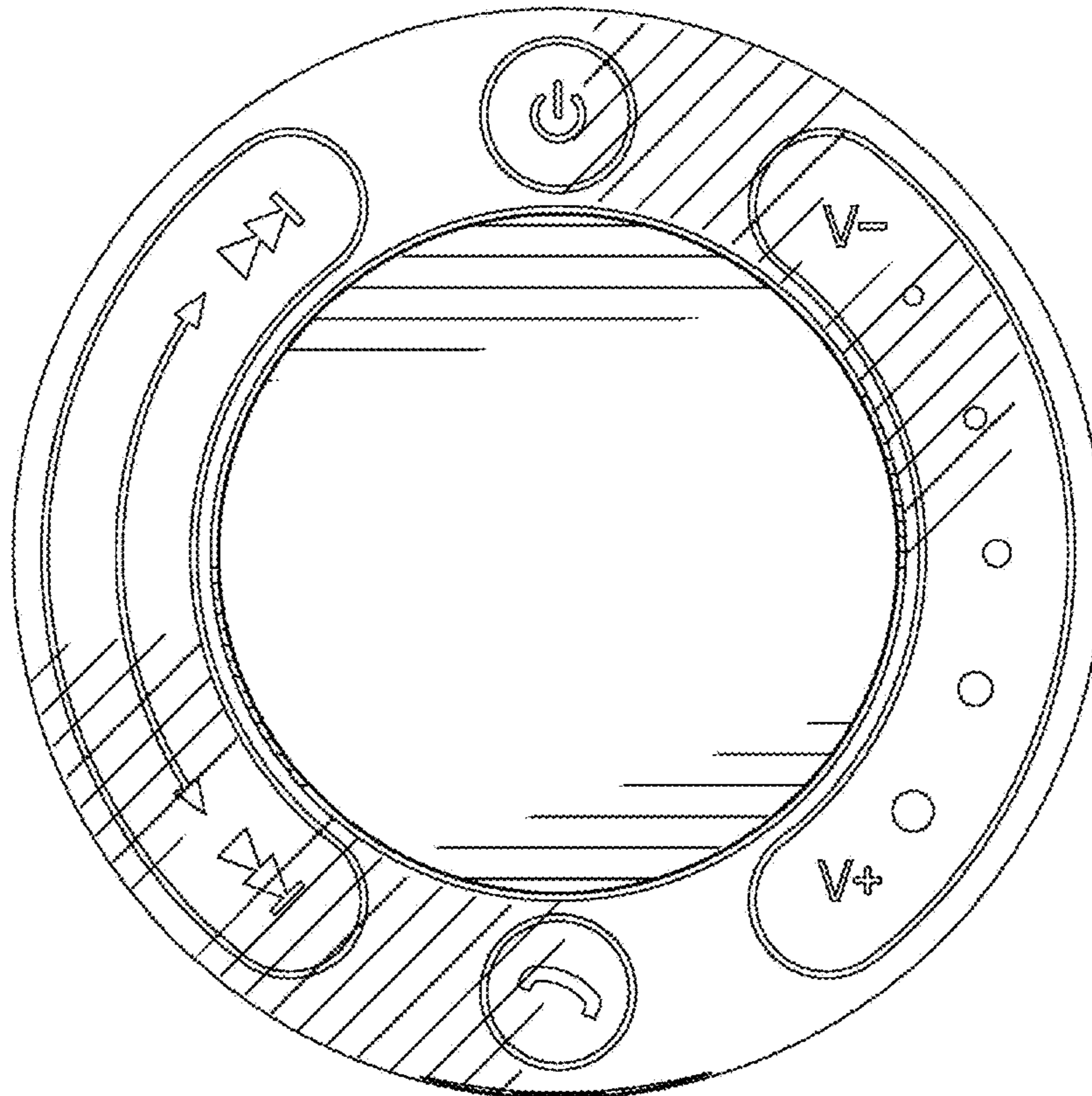


Fig. 6

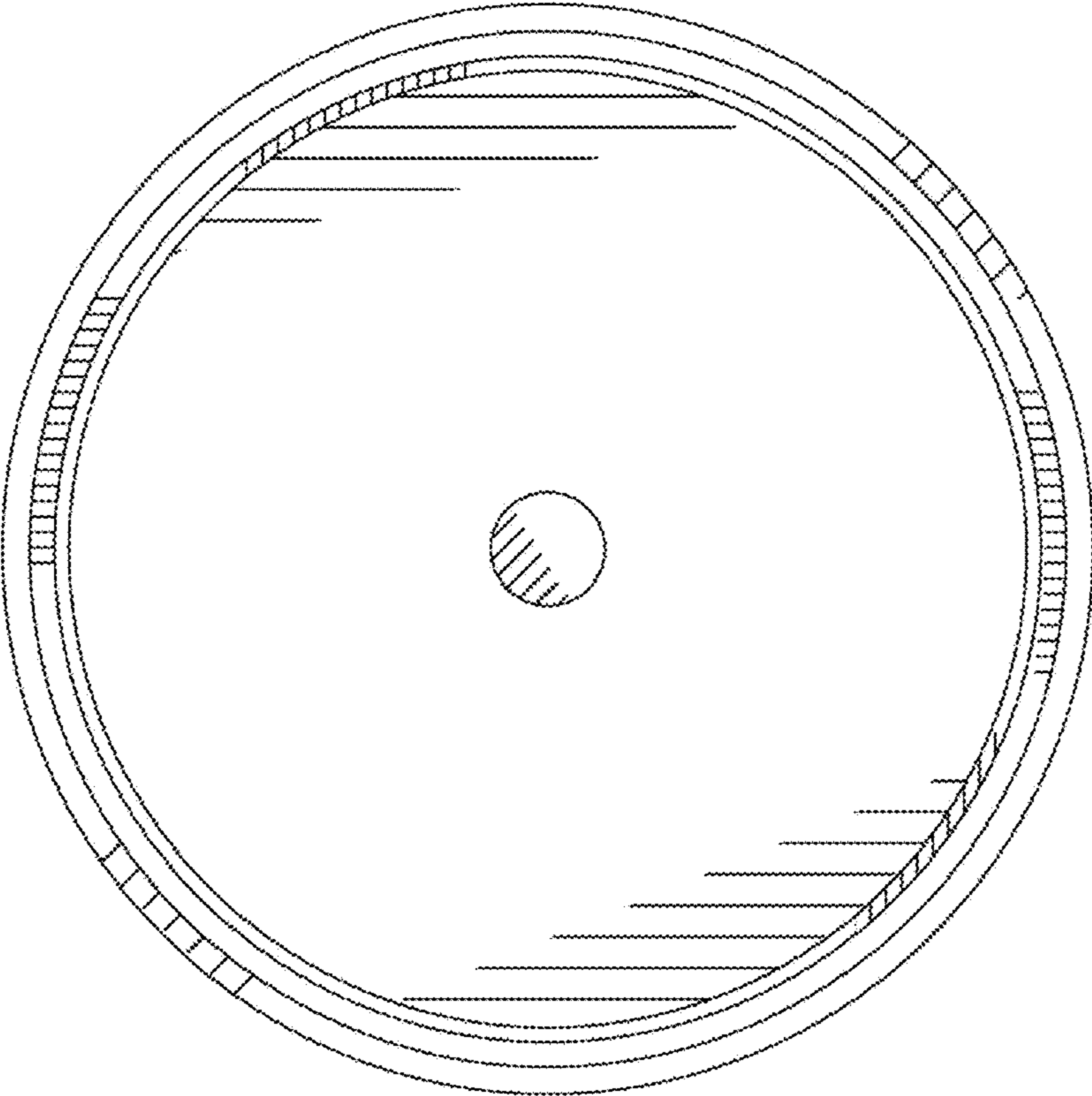


Fig. 7