



US00D760696S

(12) **United States Design Patent**
Espinosa et al.

(10) **Patent No.:** **US D760,696 S**
(45) **Date of Patent:** **** Jul. 5, 2016**

(54) **LOUDSPEAKER**

(71) Applicant: **Meyer Sound Laboratories, Incorporated**, Berkeley, CA (US)
(72) Inventors: **Pablo Espinosa**, Pleasanton, CA (US); **Michael Schneider**, Emeryville, CA (US); **Paul Bunning**, Berkeley, CA (US); **Jon M. Arneson**, Napa, CA (US); **Katrin M. Rawks**, El Cerrito, CA (US)
(73) Assignee: **Meyer Sound Laboratories, Incorporated**, Berkeley, CA (US)

(**) Term: **15 Years**
(21) Appl. No.: **29/538,339**
(22) Filed: **Sep. 2, 2015**

(51) **LOC (10) Cl.** **14-03**
(52) **U.S. Cl.**
USPC **D14/215**

(58) **Field of Classification Search**
USPC D14/167, 168, 170–172, 188, 194–196, D14/204, 207, 209.1, 210–216, 219, 221, D14/222, 224, 239, 496; 181/143, 144, 147, 181/148, 150, 153, 157, 198, 199; 381/300–303, 306, 332, 333, 336, 345, 381/361–364, 386–388; 369/6–12
CPC B60R 11/0217; G06F 1/1688; G10K 9/22; G10K 11/004; H03F 1/327; H04M 1/03; H04M 1/035; H04N 5/642; H04N 21/4852; H04R 1/02; H04R 1/06; H04R 1/021; H04R 1/025; H04R 1/026; H04R 1/028; H04R 1/105; H04R 1/323; H04R 1/403; H04R 1/2803; H04R 1/2834; H04R 5/02; H04R 7/20; H04R 9/06; H04R 9/025; H04R 2201/021; H04R 2400/00; H04R 2400/07; H04R 2499/11; H04R 2499/13; H04R 2499/15; H04S 3/00; H04S 7/30

See application file for complete search history.

(56) **References Cited**

U.S. PATENT DOCUMENTS

D271,967 S * 12/1983 Meyer D14/214
D360,417 S * 7/1995 Mark D14/215

(Continued)

OTHER PUBLICATIONS

“UPA-1P: Compact Wide Coverage Loudspeaker,” Meyer Sound Ultraseries Datasheet, 2005.

(Continued)

Primary Examiner — Keli L Hill

(74) *Attorney, Agent, or Firm* — Beeson Skinner Beverly, LLP

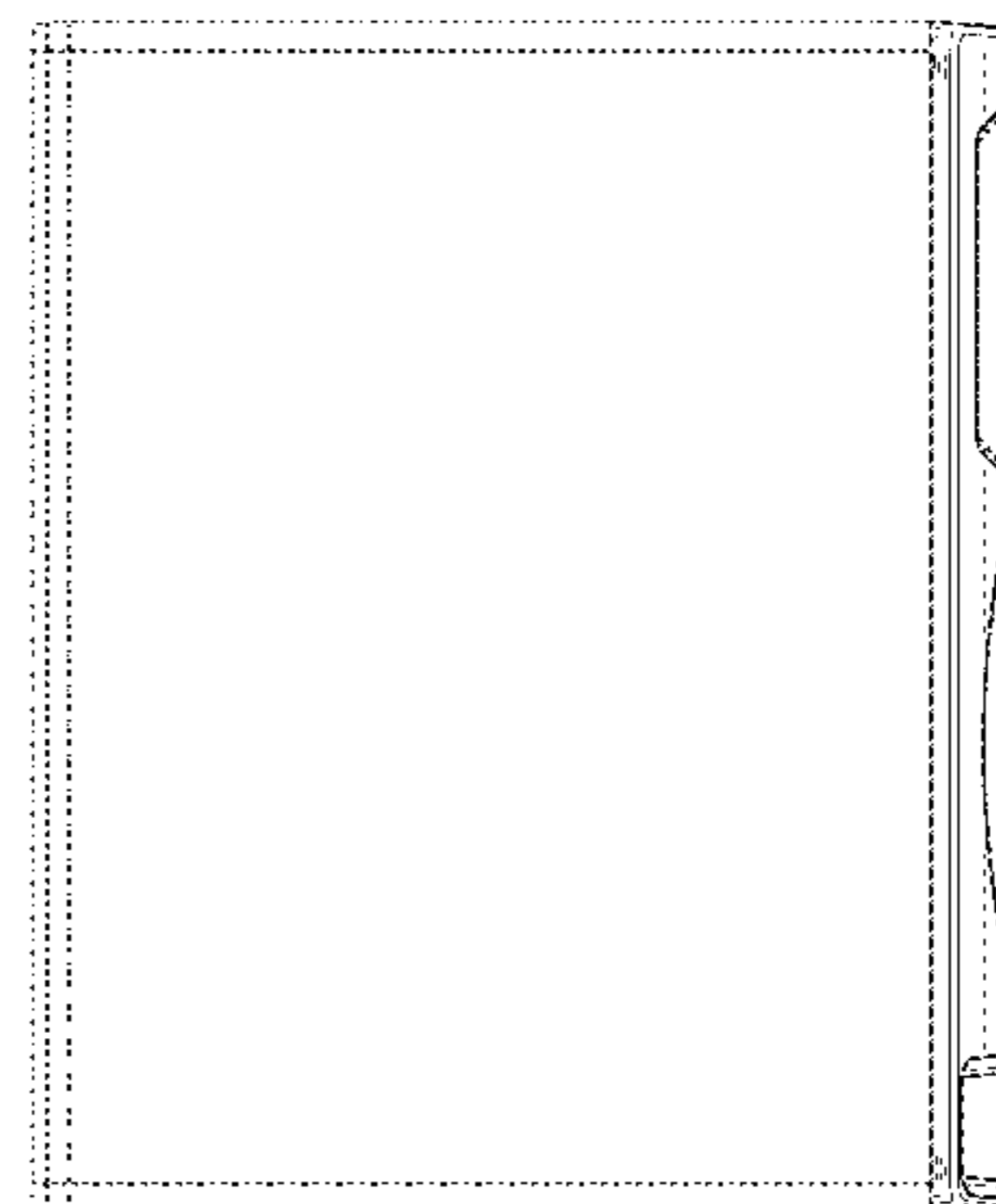
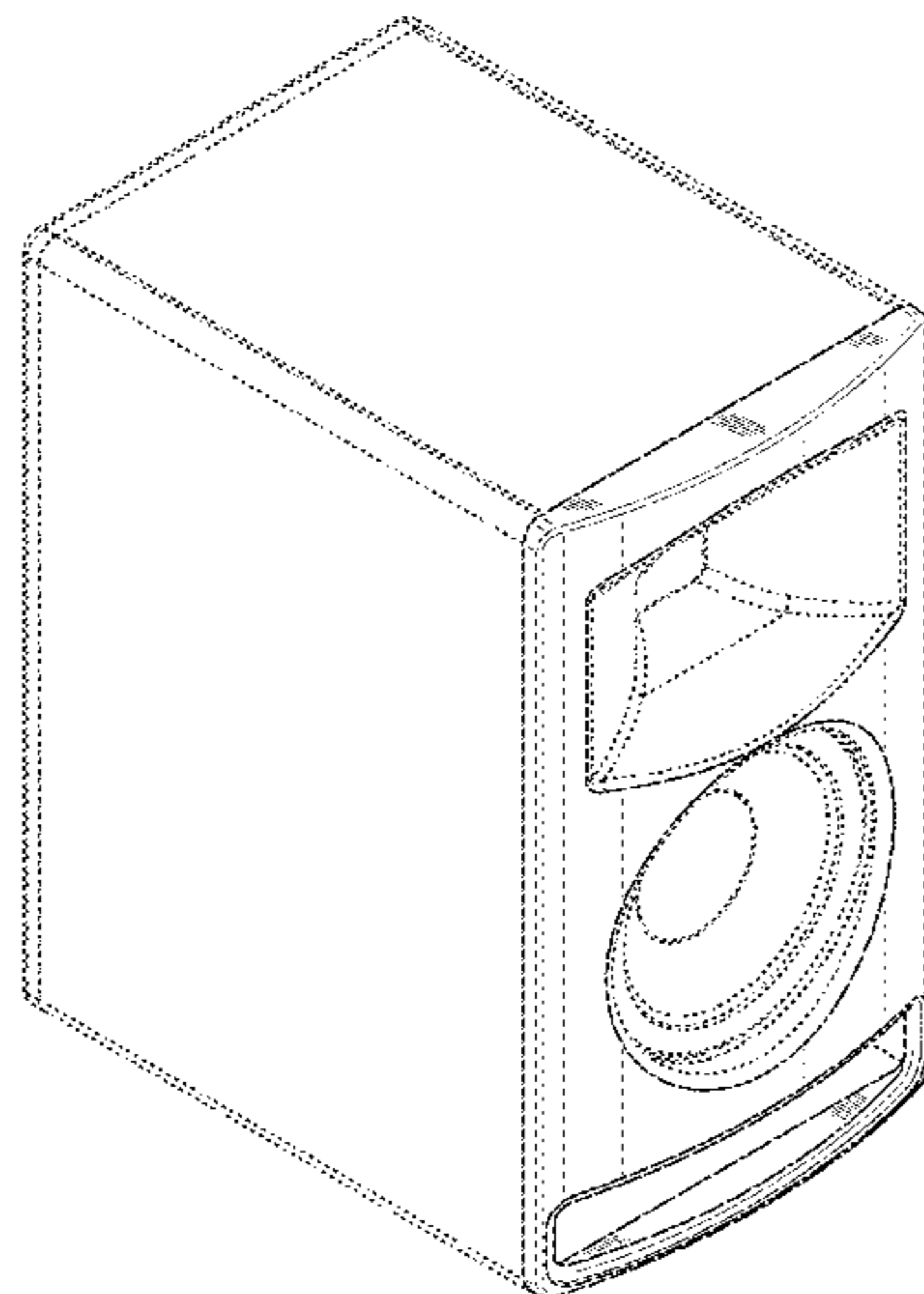
(57) **CLAIM**

The ornamental design for a loudspeaker, as shown and described.

DESCRIPTION

FIG. 1 is a top front perspective view of a loudspeaker showing our new design;
FIG. 2 is a front elevational view thereof;
FIG. 3 is a right side elevational view thereof, the left side being a mirror image; and
FIG. 4 is a top plan view thereof, the bottom being a mirror image; and,
FIG. 5 is a rear elevational view thereof.
The broken lines shown in FIGS. 1-5 extending behind the front bezel of the loudspeaker represent a loudspeaker cabinet. In FIGS. 1 and 2, there is additionally a broken line representation of a horn and compression driver at the base of the horn shown in the front of the loudspeaker forms. In FIG. 3 there is a further the broken line representation of a small visible portion of the horn seen in broken lines in FIGS. 1 and 2. In FIG. 1 there is a broken line representation of an inside corner edge of the bottom port of the loudspeaker, and in FIG. 2 the broken line rectangle in the bottom port of the loudspeaker is a boundary line. The broken line representations of the above-mentioned structures form no part of the claimed design. The region within the broken line boundary in FIG. 2 also forms no part of the claimed design.

1 Claim, 3 Drawing Sheets



(56)

References Cited

U.S. PATENT DOCUMENTS

D373,359 S 9/1996 Meyer et al.
D439,238 S * 3/2001 Mackie D14/214
D439,239 S * 3/2001 Ito D14/214
D542,275 S * 5/2007 Hibino D14/214
D598,897 S 8/2009 Arneson et al.
D599,324 S * 9/2009 Shen D14/196
D599,325 S 9/2009 Arneson et al.
D657,777 S * 4/2012 Jursch D14/215

D668,634 S * 10/2012 Suzuki D14/215
8,406,445 B1 3/2013 Arneson et al.
D698,335 S * 1/2014 Plattard D14/210

OTHER PUBLICATIONS

“UPJ-1P: Compact VariO Loudspeaker,” Meyer Sound Ultraseries Datasheet, 2005.
“UPQ-2P: Narrow Coverage Loudspeaker,” Meyer Sound Ultraseries Datasheet, 2008.

* cited by examiner

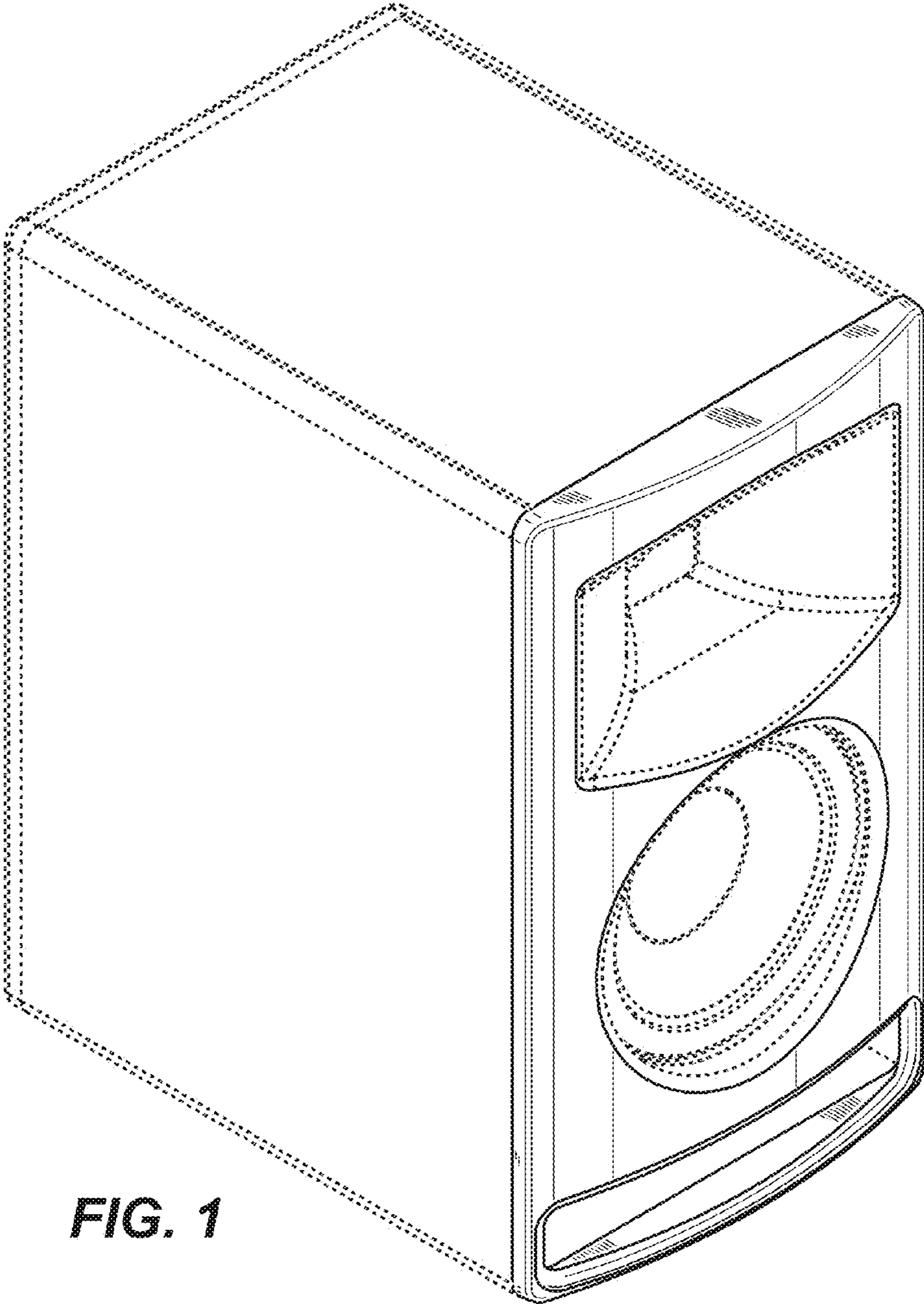


FIG. 1

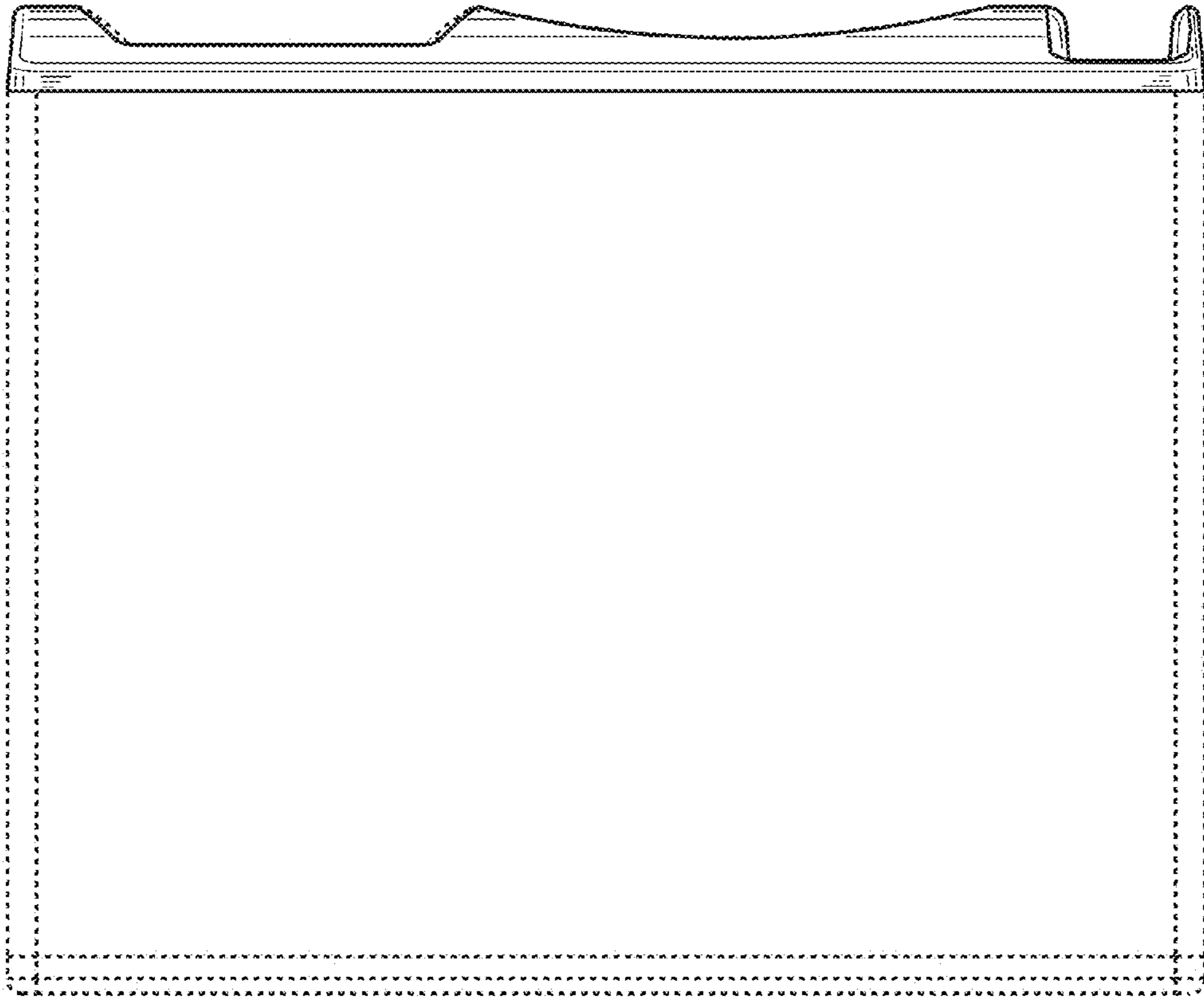


FIG. 3

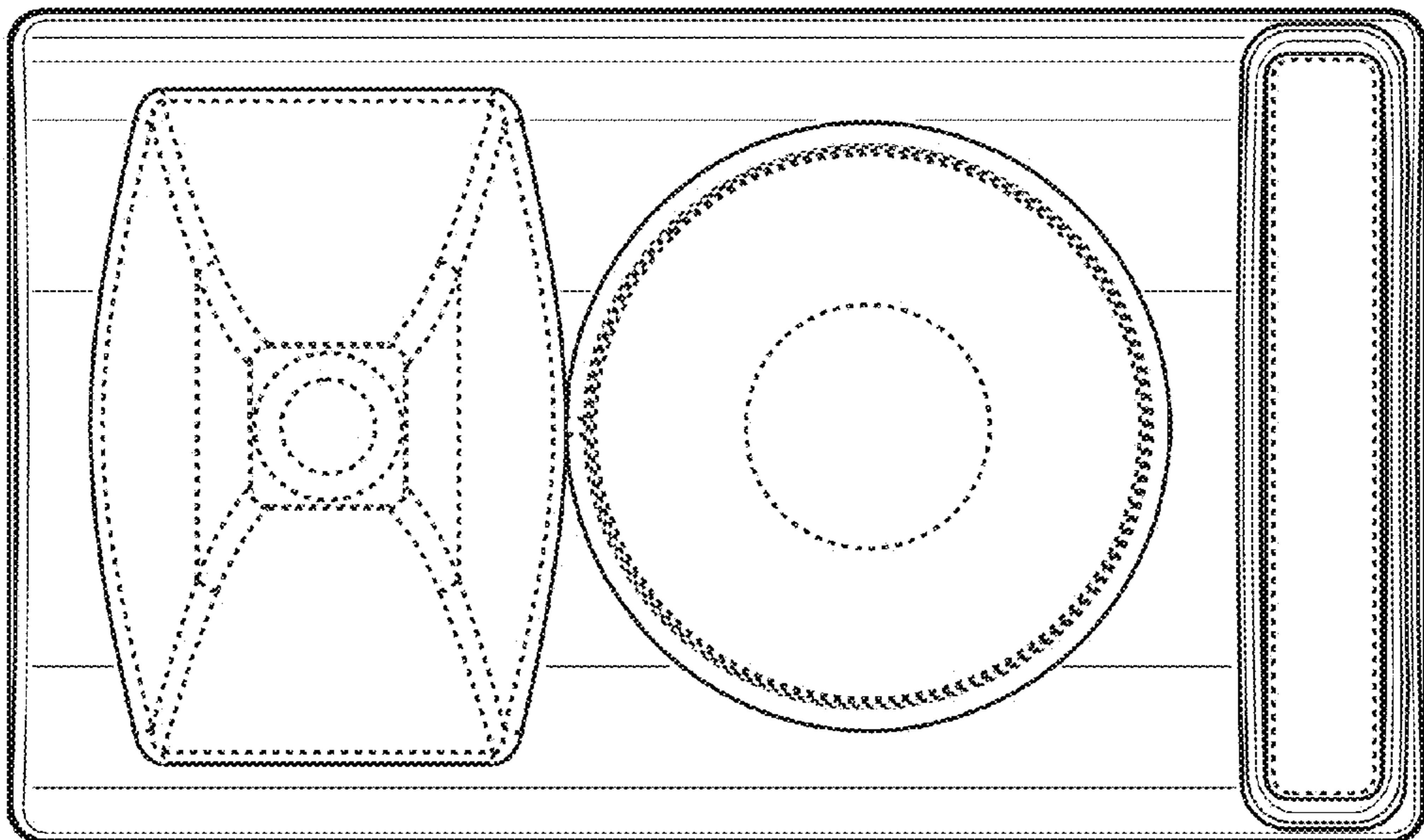


FIG. 2



FIG. 5

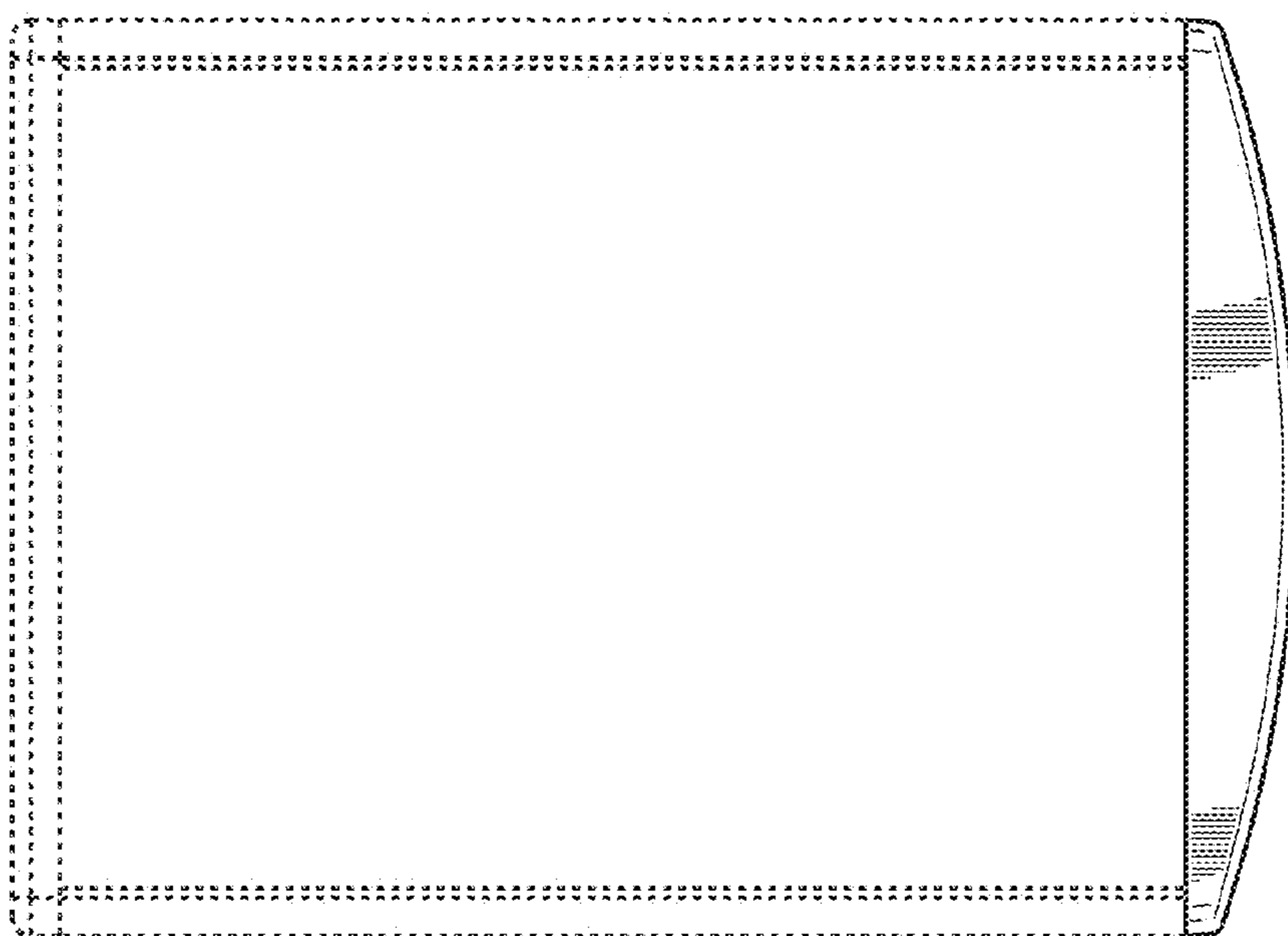


FIG. 4