



US00D760695S

(12) **United States Design Patent**
Kwon et al.

(10) **Patent No.:** **US D760,695 S**
(45) **Date of Patent:** **** Jul. 5, 2016**

(54) **SPEAKER**

(71) Applicant: **Samsung Electronics Co., Ltd.**,
Suwon-si, Gyeonggi-do (KR)
(72) Inventors: **Han Sol Kwon**, Gwangmyeong-si (KR);
Sung Il Bang, Seoul (KR)
(73) Assignee: **SAMSUNG ELECTRONICS CO.,**
LTD., Suwon-Si, Gyeonggi-Do (KR)

(**) Term: **14 Years**

(21) Appl. No.: **29/526,363**

(22) Filed: **May 8, 2015**

(51) **LOC (10) Cl.** **14-03**

(52) **U.S. Cl.**
USPC **D14/214; D14/239**

(58) **Field of Classification Search**
USPC D14/167, 168, 170–172, 188, 194–196,
D14/204, 207, 209.1, 210–216, 219, 221,
D14/222, 224, 239, 496; 181/143, 144, 147,
181/148, 150, 153, 157, 198, 199; 381/300,
381/303, 306, 332, 333, 336, 345, 361–364,
381/386, 388; 369/6–12
CPC B60R 11/0217; G06F 1/1688; G10K 9/22;
G10K 11/004; H03F 1/327; H04M 1/03;
H04M 1/035; H04N 5/642; H04N 21/4852;
H04R 1/02; H04R 1/06; H04R 1/021; H04R
1/025; H04R 1/026; H04R 1/028; H04R
1/105; H04R 1/323; H04R 1/403; H04R
1/2803; H04R 1/2834; H04R 5/02; H04R
7/20; H04R 9/06; H04R 9/025; H04R
2201/021; H04R 2400/00; H04R 2400/07;
H04R 2499/11; H04R 2499/13; H04R
2499/15; H04S 3/00; H04S 7/30

See application file for complete search history.

(56) **References Cited**

U.S. PATENT DOCUMENTS

D558,736	S	*	1/2008	Kita	D14/126
D704,198	S	*	5/2014	Kim	D14/447
D708,166	S	*	7/2014	Lim	D14/209.1
D725,087	S	*	3/2015	Kim	D14/239
D730,869	S	*	6/2015	Lee	D14/214
D732,080	S	*	6/2015	Xin	D14/188
D743,940	S	*	11/2015	Yang	D14/214
D743,953	S	*	11/2015	Ann	D14/239
D747,300	S	*	1/2016	Kim	D14/239

* cited by examiner

Primary Examiner — Keli L Hill

(74) *Attorney, Agent, or Firm* — Ladas & Parry LLP

(57) **CLAIM**

We claim the ornamental design for the speaker, as shown and described.

DESCRIPTION

FIG. 1 is the front perspective view of the speaker showing our new design;

FIG. 2 is the front view thereof;

FIG. 3 is the rear view thereof;

FIG. 4 is the left-side view thereof;

FIG. 5 is the right-side view thereof;

FIG. 6 is the top plan view thereof;

FIG. 7 is the bottom plan view thereof;

FIG. 8 is the rear perspective view thereof; and,

FIG. 9 is a front perspective view of the speaker shown in an example environment.

The broken lines in the drawing show unclaimed environment only and form no part of the claimed design.

1 Claim, 9 Drawing Sheets

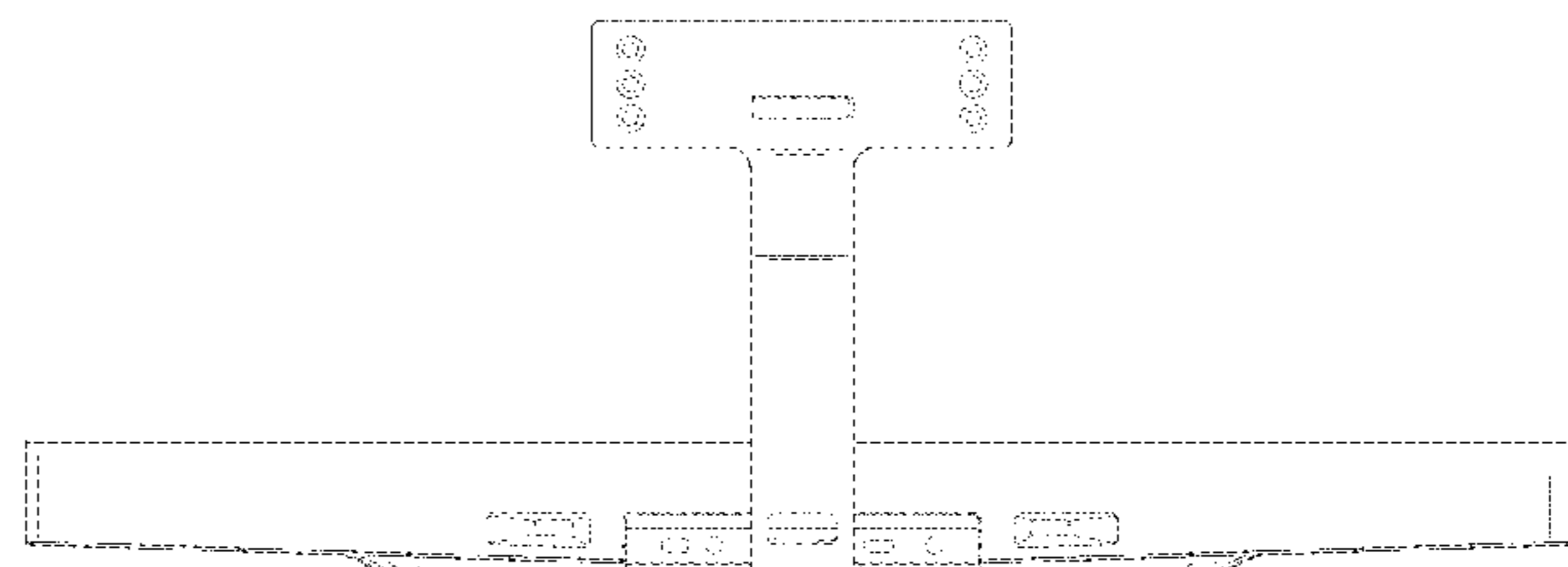
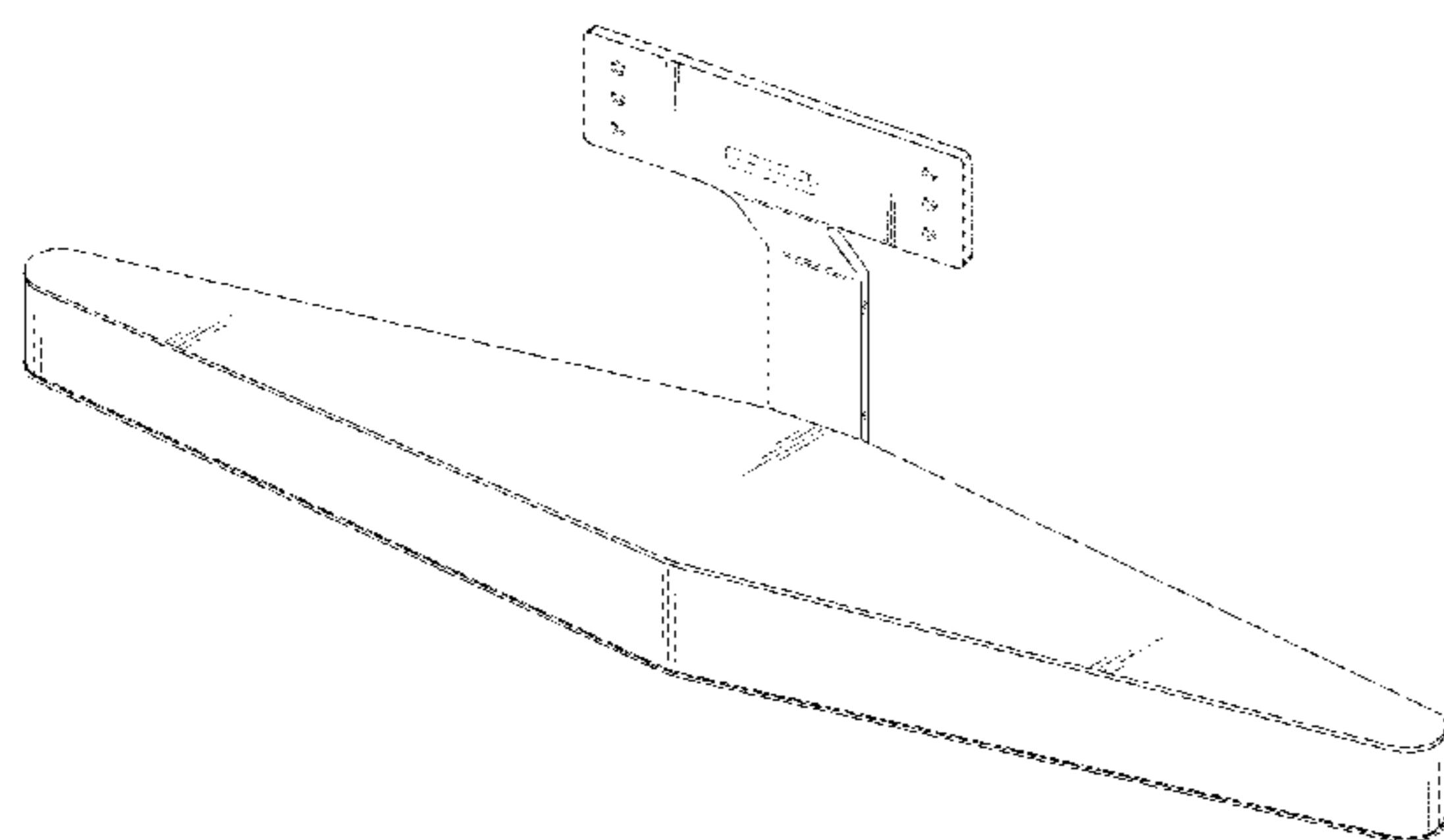


FIG. 1

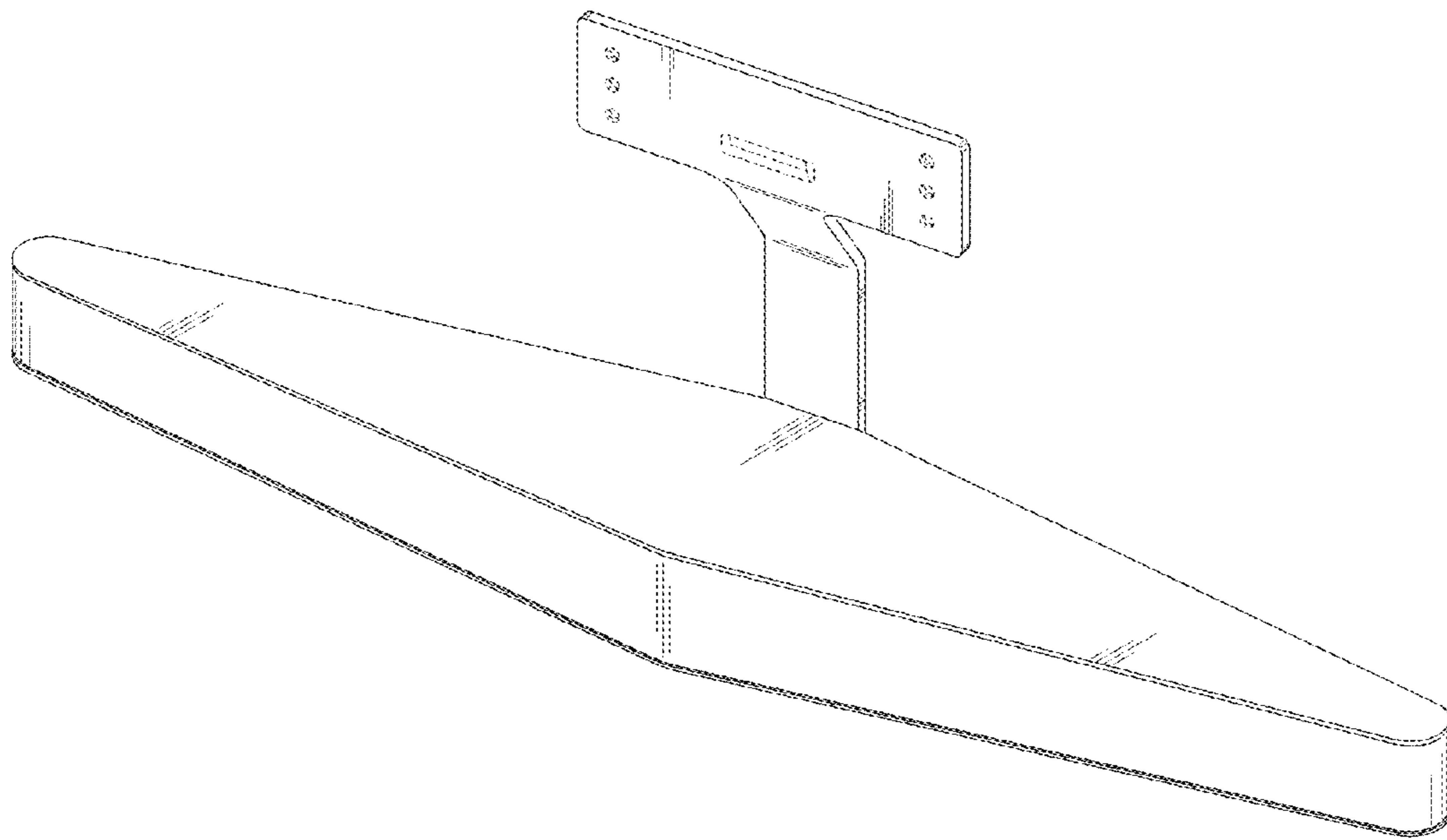


FIG. 2

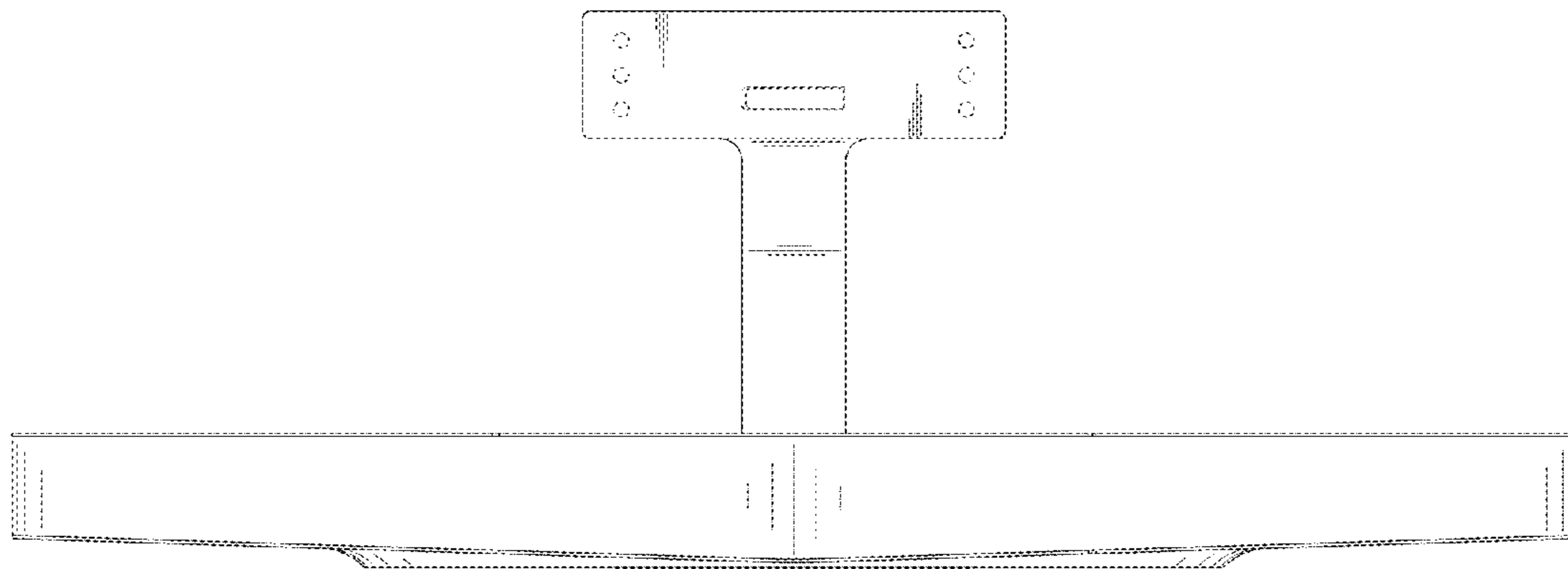


FIG. 3

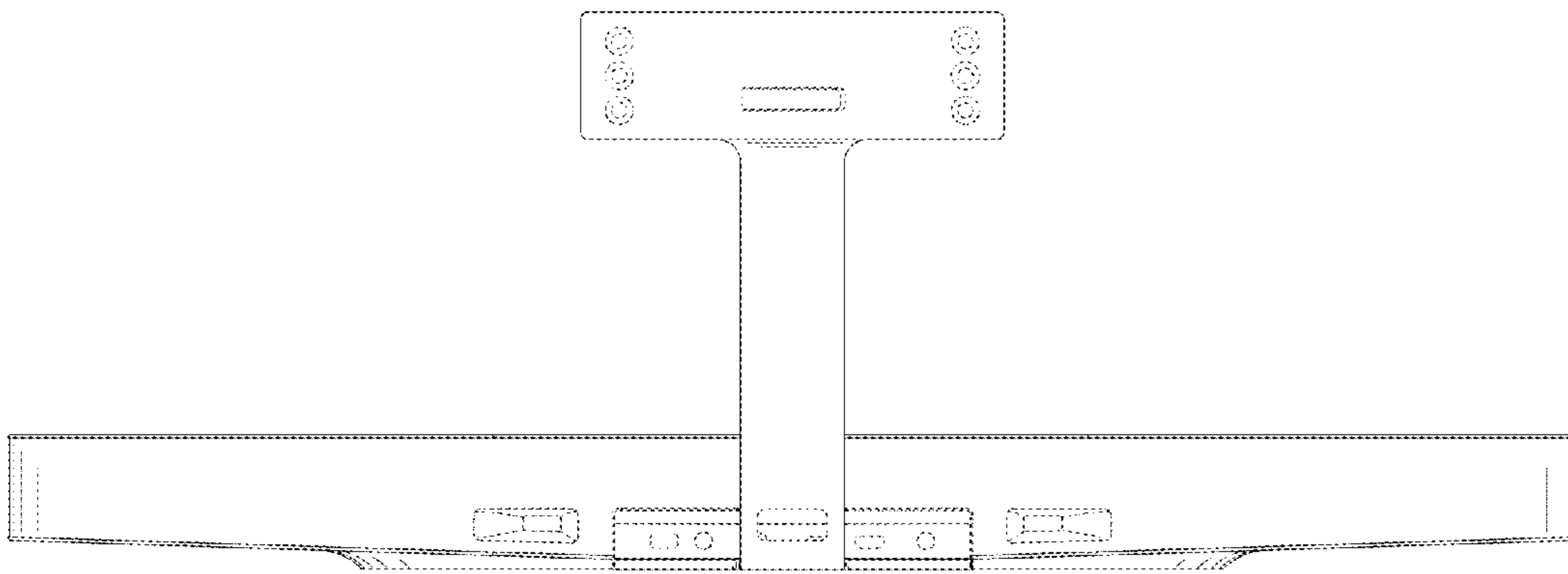


FIG. 4

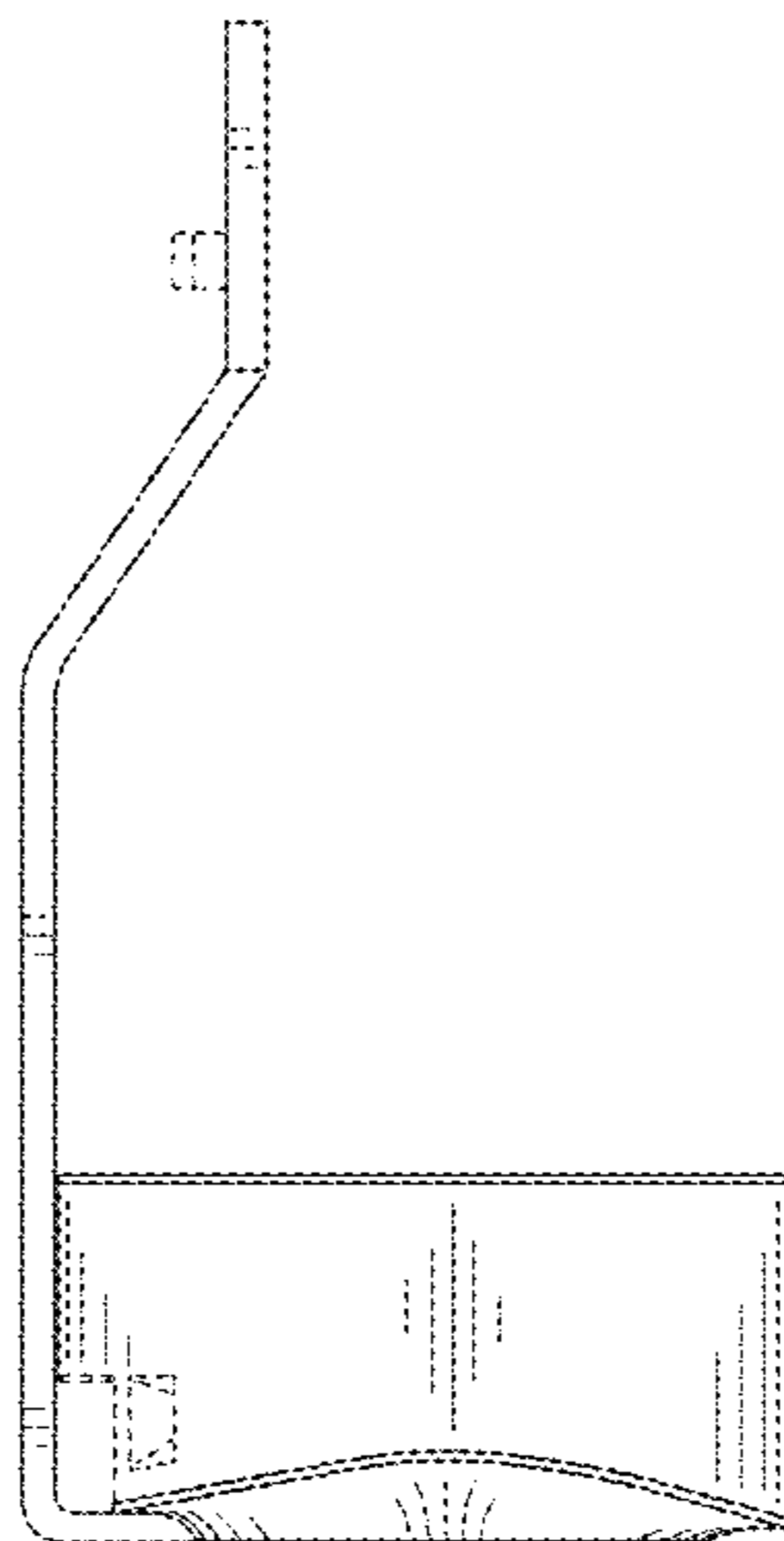


FIG. 5

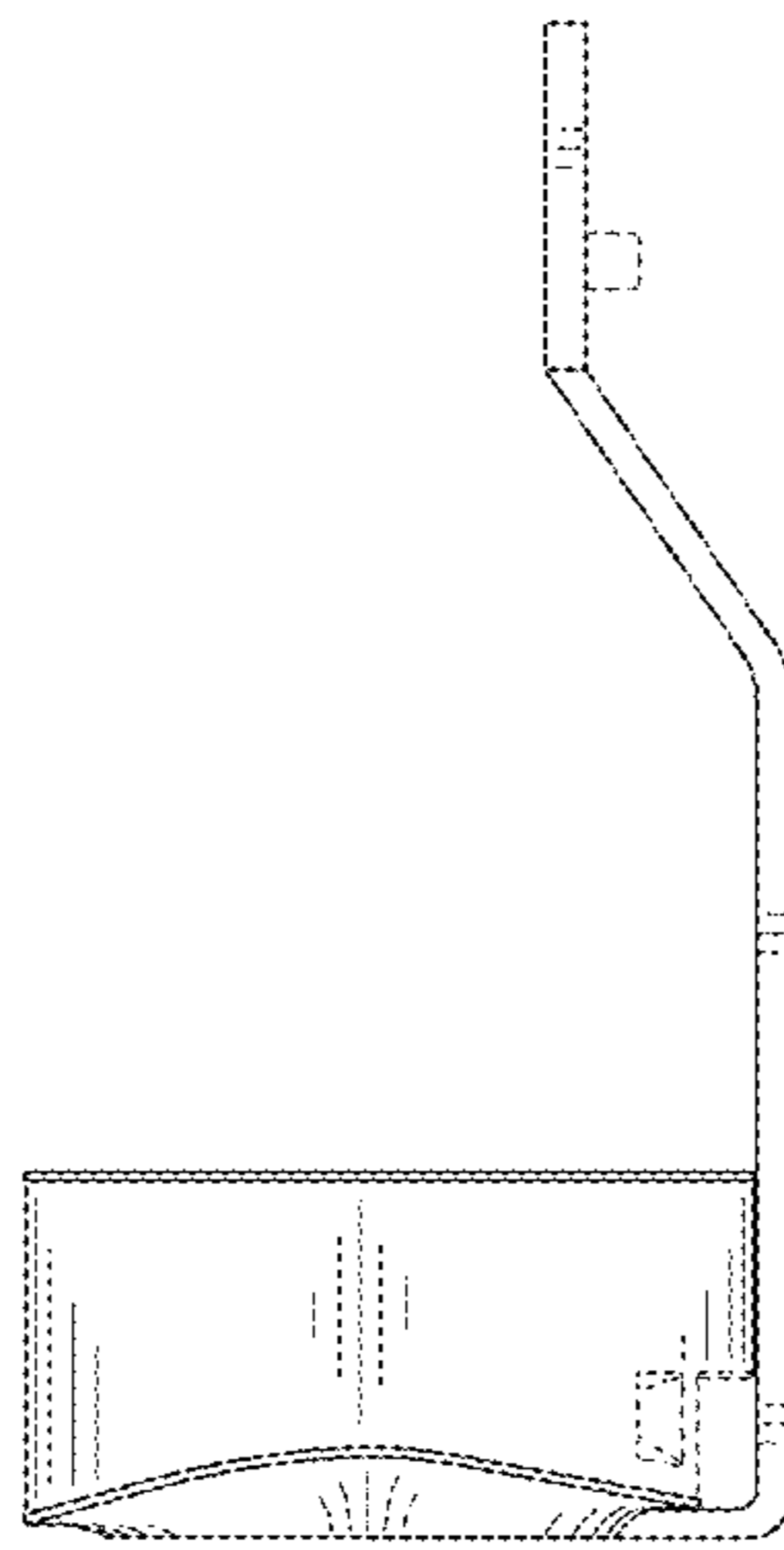


FIG. 6

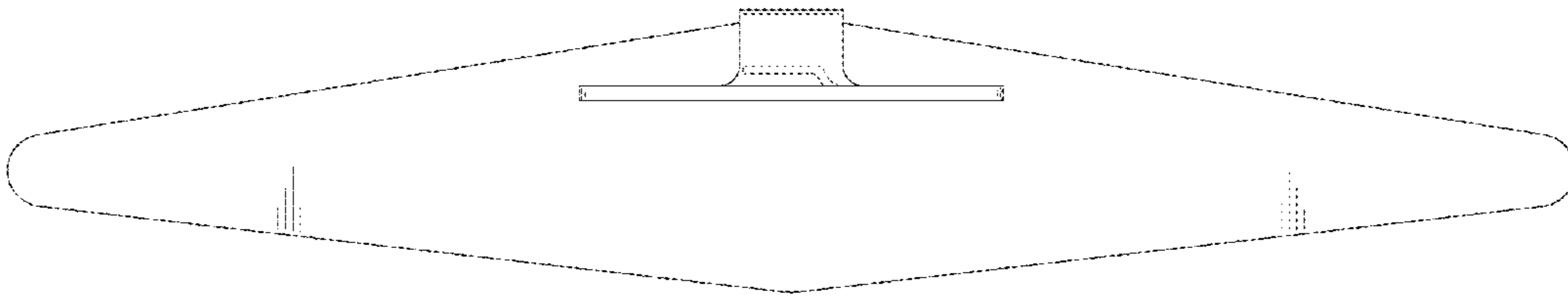


FIG. 7

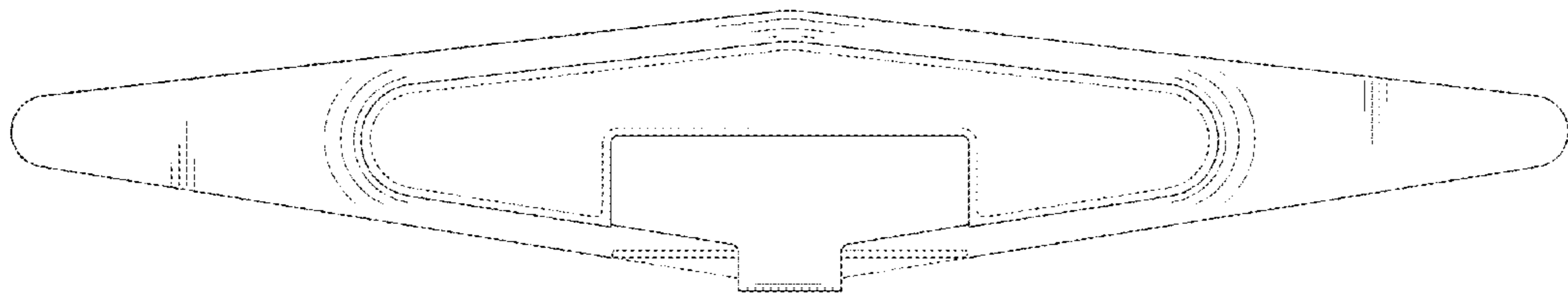


FIG. 8

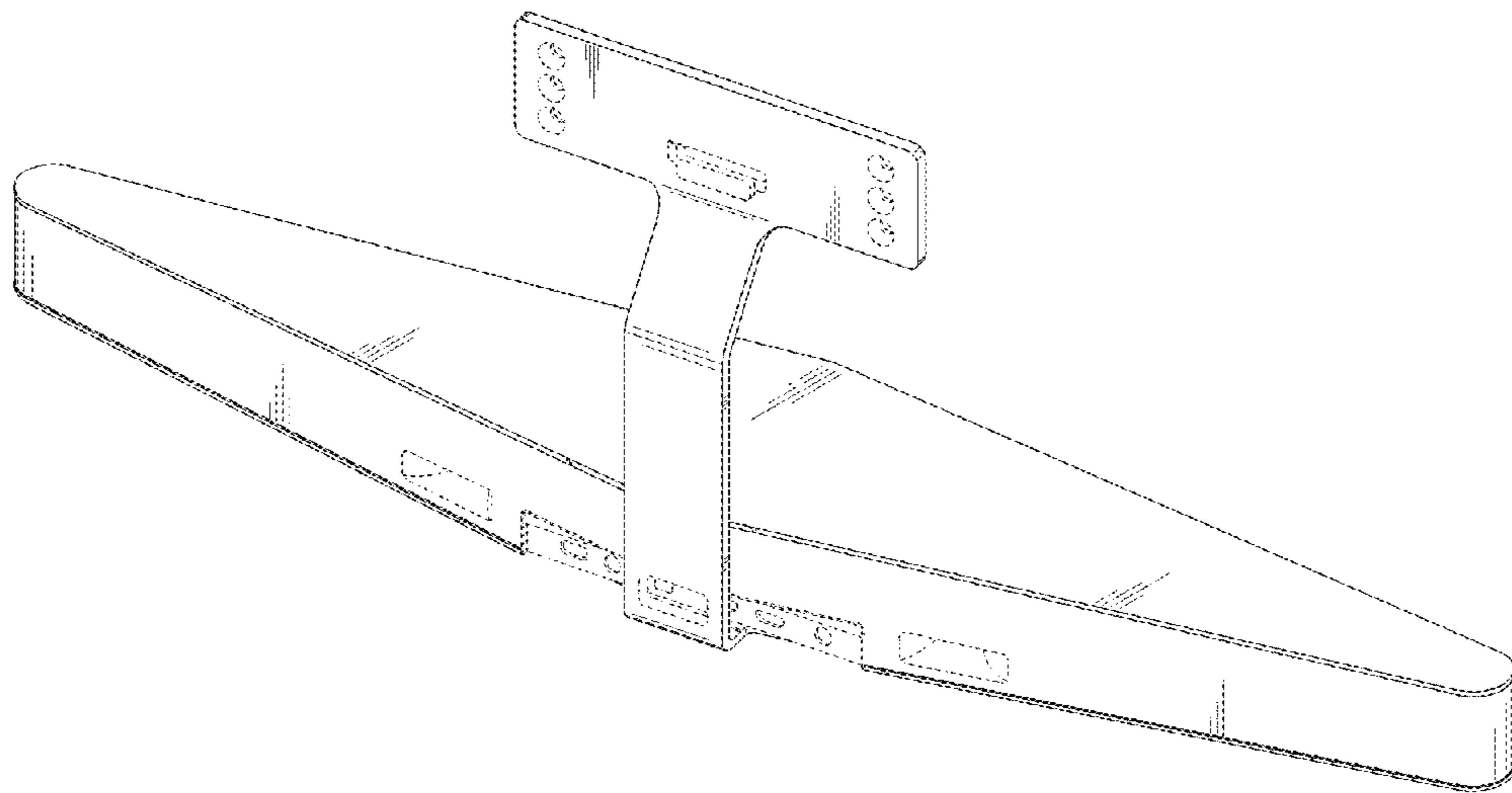
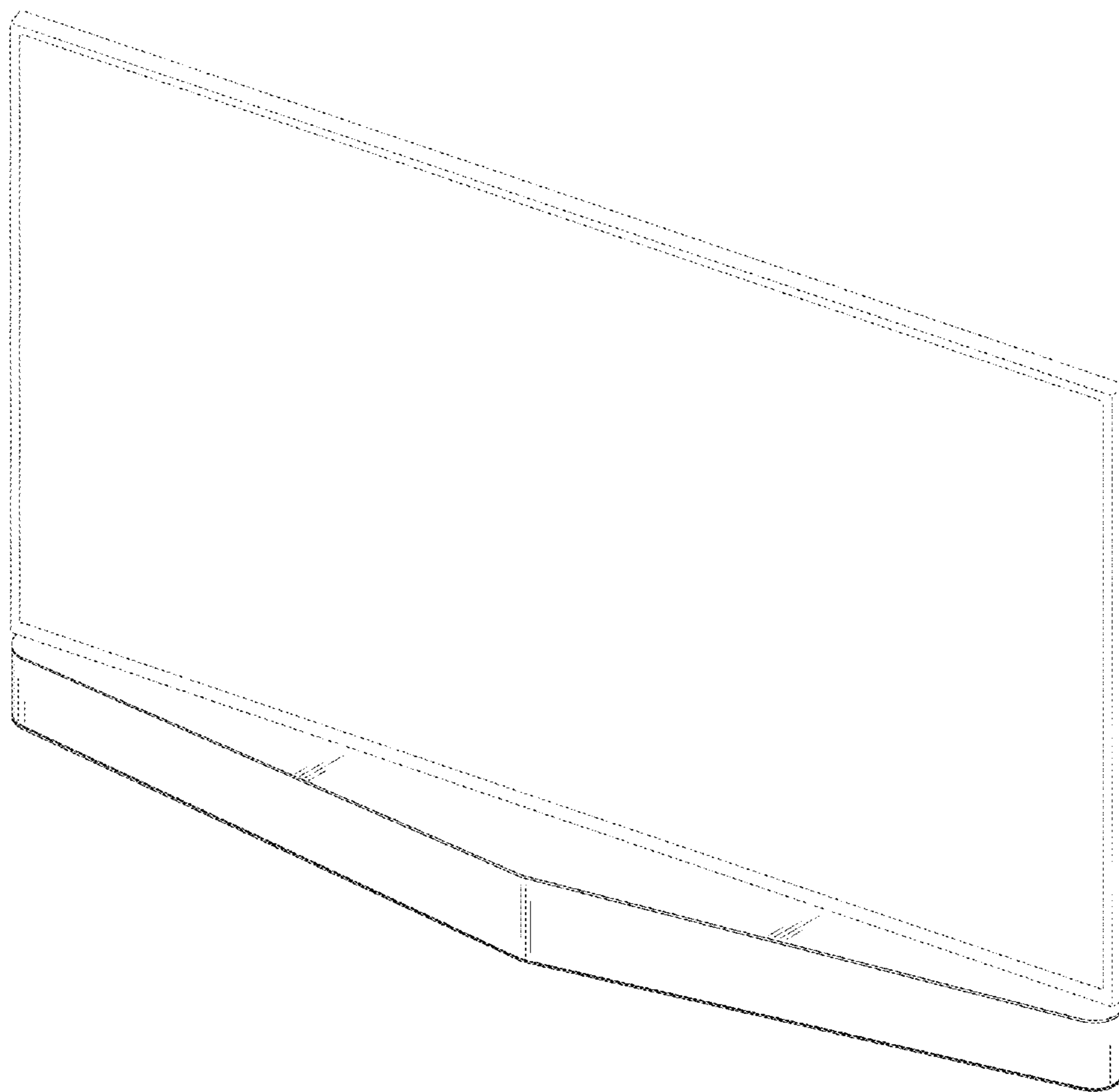


FIG. 9



UNITED STATES PATENT AND TRADEMARK OFFICE
CERTIFICATE OF CORRECTION

PATENT NO. : D760,695 S
APPLICATION NO. : 29/526363
DATED : July 5, 2016
INVENTOR(S) : Han Sol Kwon et al.

Page 1 of 1

It is certified that error appears in the above-identified patent and that said Letters Patent is hereby corrected as shown below:

Title page:

Insert --(30) Foreign Application Priority Data
Dec. 8, 2014 (KR).....30-2014-0059745--

Signed and Sealed this
Twenty-seventh Day of September, 2016



Michelle K. Lee
Director of the United States Patent and Trademark Office