



US00D760693S

(12) **United States Design Patent**
Kim et al.

(10) **Patent No.:** **US D760,693 S**

(45) **Date of Patent:** **** Jul. 5, 2016**

(54) **AUDIO DEVICE**

2400/07; H04R 2499/11; H04R 2499/13;
H04R 2499/15; H04S 3/00; H04S 7/30

(71) Applicant: **Samsung Electronics Co., Ltd.**,
Suwon-si, Gyeonggi-do (KR)

See application file for complete search history.

(72) Inventors: **Ji Gwang Kim**, Seoul (KR); **Yu Li Sung**, Goyang-si (KR); **Joon Soo Kim**, Seoul (KR); **Young Soo Hong**, Goyang-si (KR)

(56) **References Cited**

U.S. PATENT DOCUMENTS

D505,668 S *	5/2005	Liu	D14/188
D597,075 S *	7/2009	Irii	D14/214
D620,477 S *	7/2010	Hou	D14/192
D685,346 S *	7/2013	Szymanski	D14/214
D685,347 S *	7/2013	Szymanski	D14/214
D715,761 S *	10/2014	Kim	D14/188
D739,844 S *	9/2015	Hagman	D14/214

(73) Assignee: **SAMSUNG ELECTRONICS CO., LTD.**, Suwon-Si, Gyeonggi-Do (KR)

* cited by examiner

(**) Term: **14 Years**

Primary Examiner — Keli L Hill

(21) Appl. No.: **29/519,289**

(74) *Attorney, Agent, or Firm* — Ladas & Parry LLP

(22) Filed: **Mar. 4, 2015**

(30) **Foreign Application Priority Data**

(57) **CLAIM**

We claim the ornamental design for audio device, as shown and described.

Sep. 14, 2014 (KR) 30-2014-0043421

(51) **LOC (10) Cl.** **14-03**

(52) **U.S. Cl.**
USPC **D14/214**

(58) **Field of Classification Search**
USPC D14/167, 168, 170–172, 188, 194–196, D14/204, 207, 209.1, 210–216, 219, 221, D14/222, 224, 239, 496; 181/143, 144, 147, 181/148, 150, 153, 157, 198, 199; 381/300–303, 306, 332, 333, 336, 345, 381/361–364, 386–388; 369/6–12
CPC B60R 11/0217; G06F 1/1688; H04M 1/03; H04M 1/035; H04R 1/02; H04R 1/06; H04R 1/021; H04R 1/025; H04R 1/026; H04R 1/028; H04R 1/105; H04R 1/323; H04R 1/403; H04R 1/2803; H04R 1/2834; H04R 5/02; H04R 7/20; H04R 9/06; H04R 9/025; H04R 2201/021; H04R 2400/00; H04R

DESCRIPTION

FIG. 1 is the front perspective view of audio device showing our new design;
FIG. 2 is the front view thereof;
FIG. 3 is the rear view thereof;
FIG. 4 is the left-side view thereof;
FIG. 5 is the right-side view thereof;
FIG. 6 is the top plan view thereof;
FIG. 7 is the bottom plan view thereof;
FIG. 8 is the rear perspective view thereof; and,
FIG. 9 is the bottom perspective view thereof, as shown in an alternate configuration.
The broken lines in the drawing show unclaimed environment only and form no part of the claimed design

1 Claim, 8 Drawing Sheets

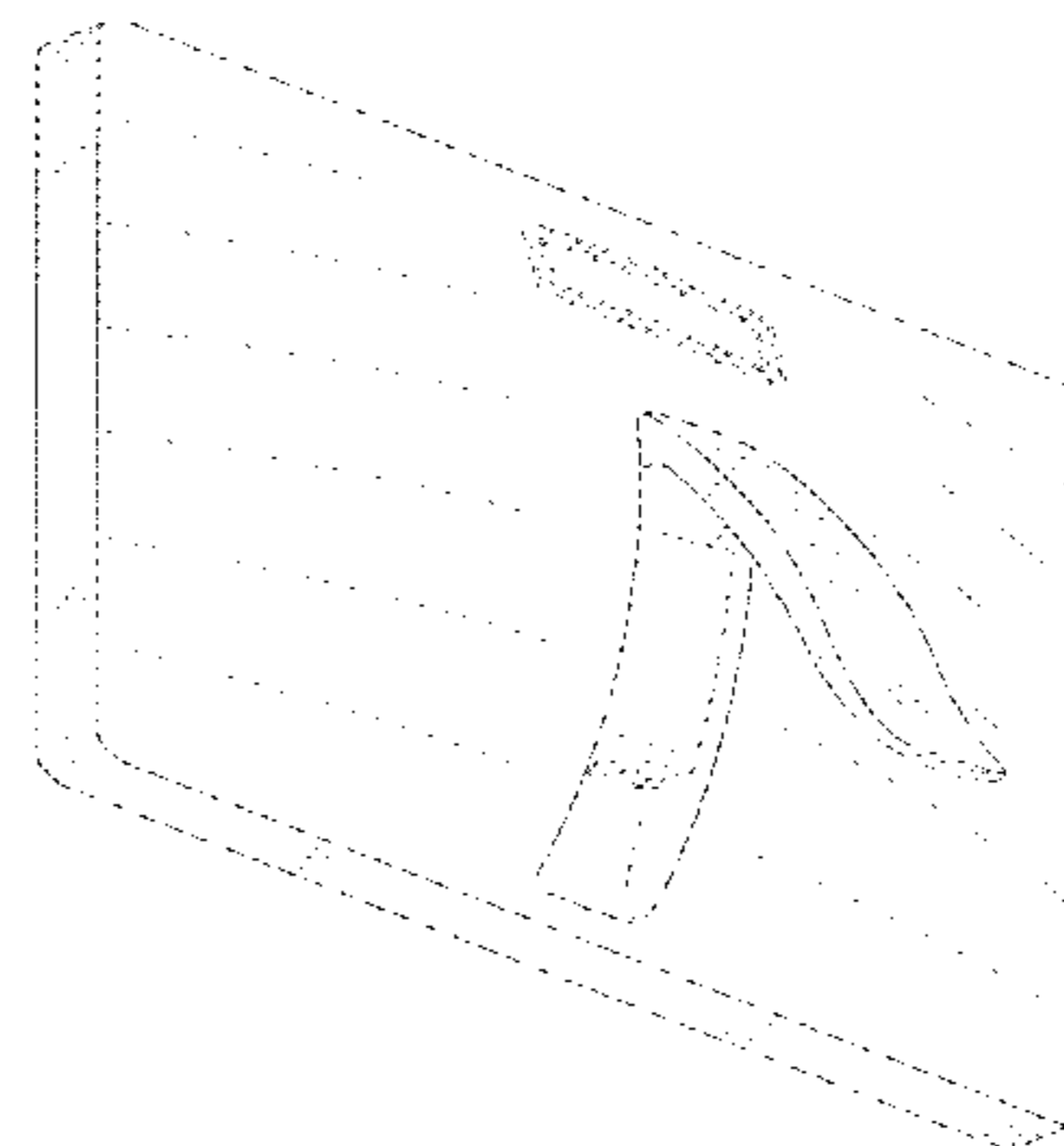
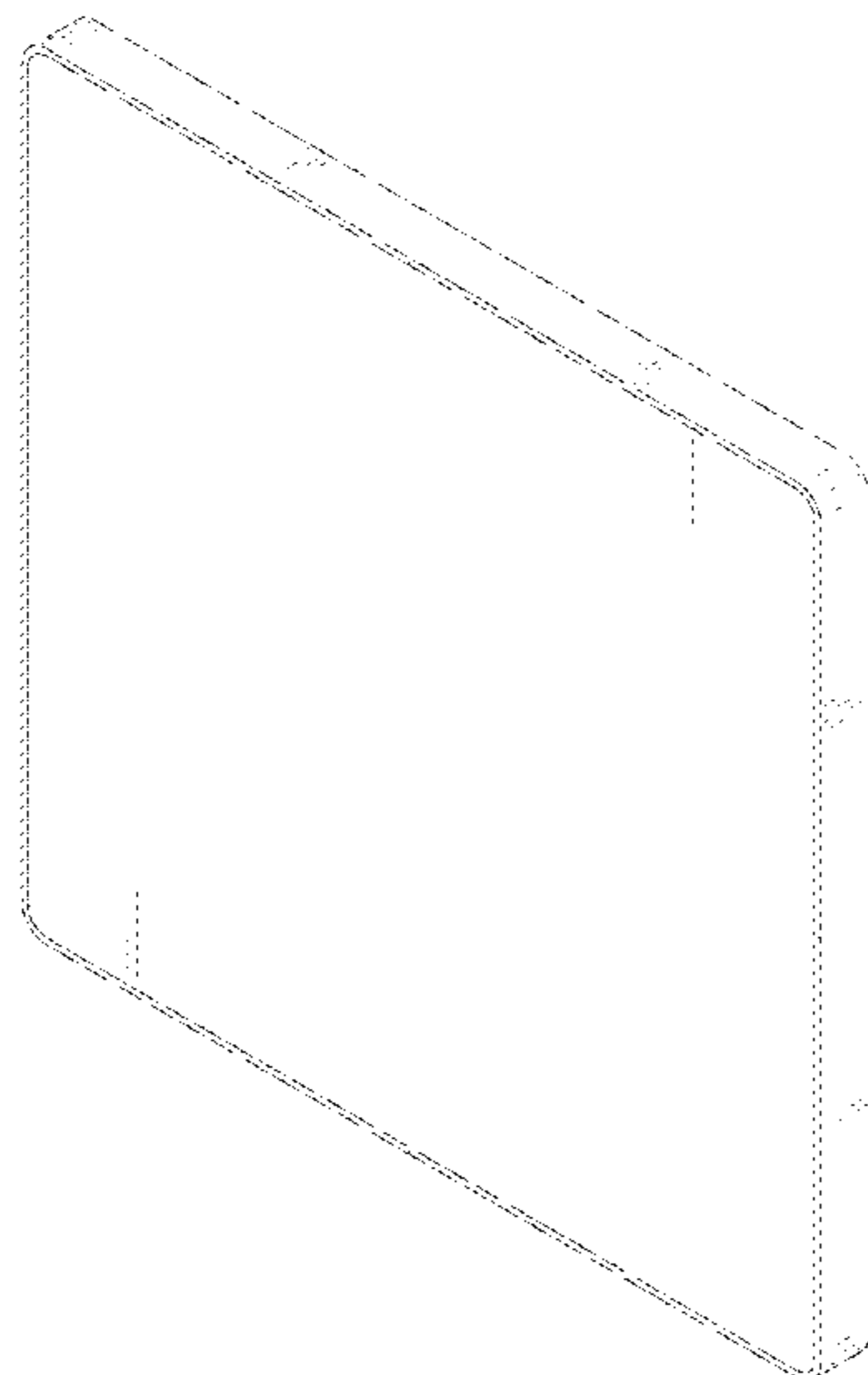


FIG. 1

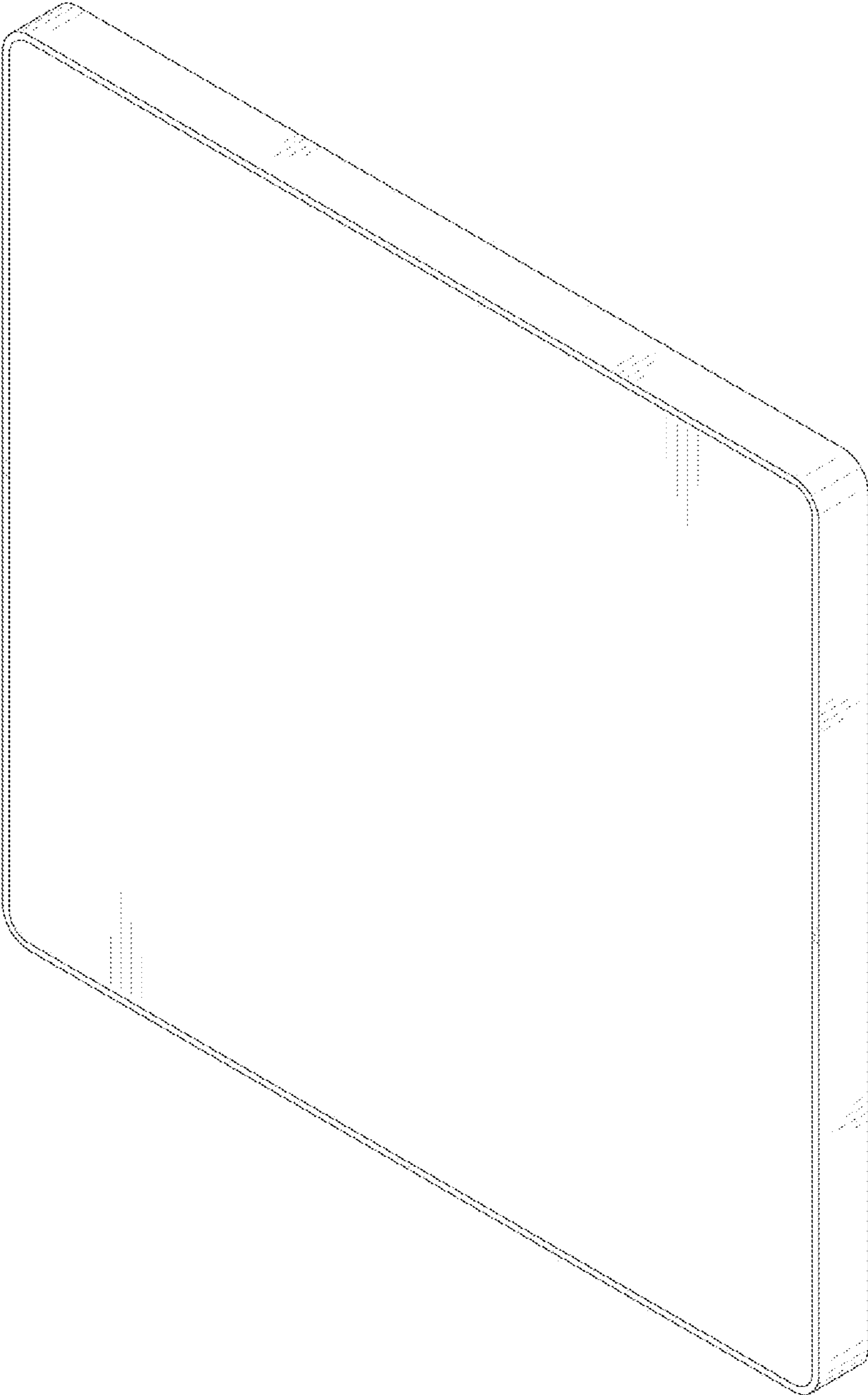


FIG. 2

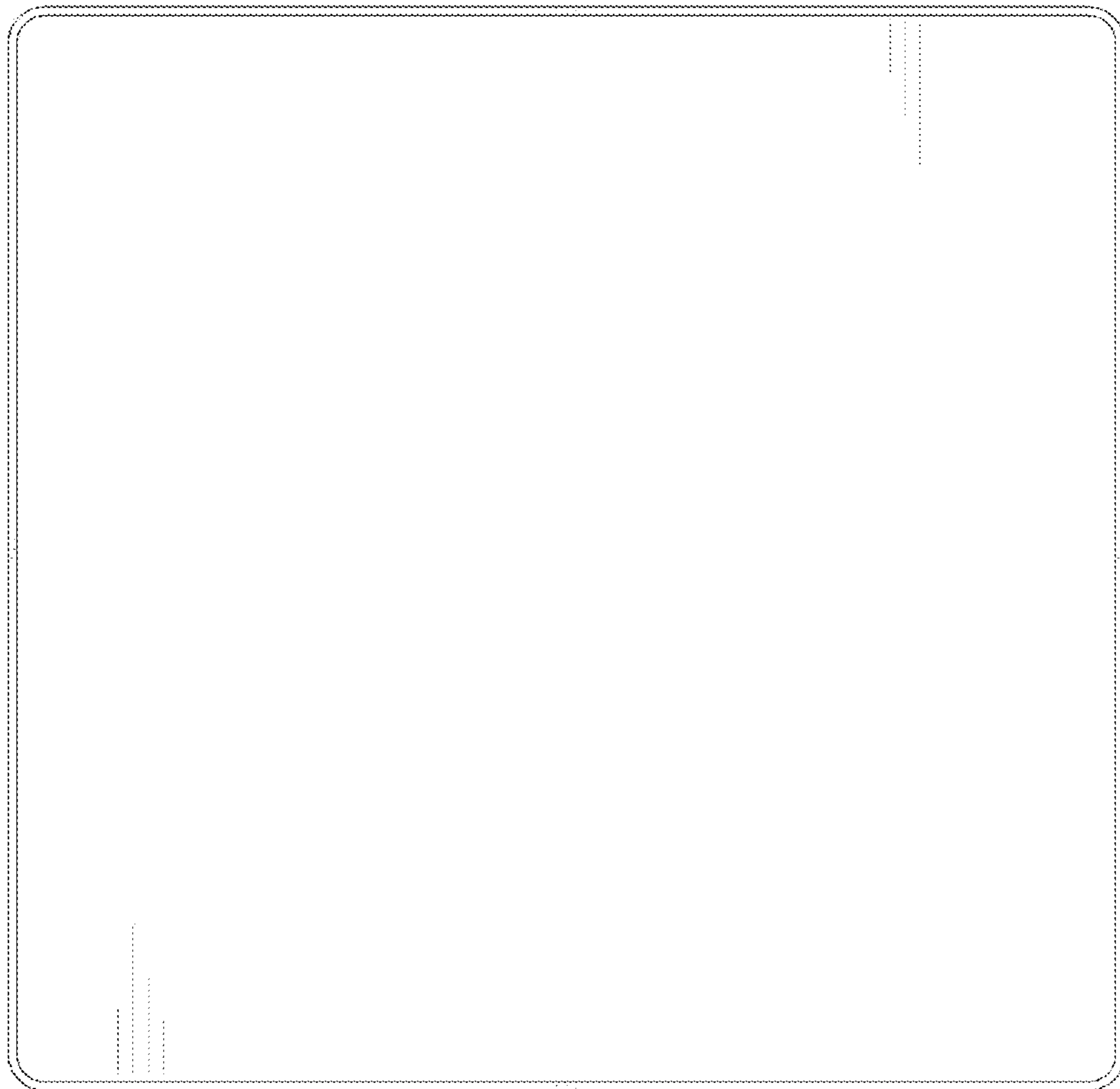


FIG. 3

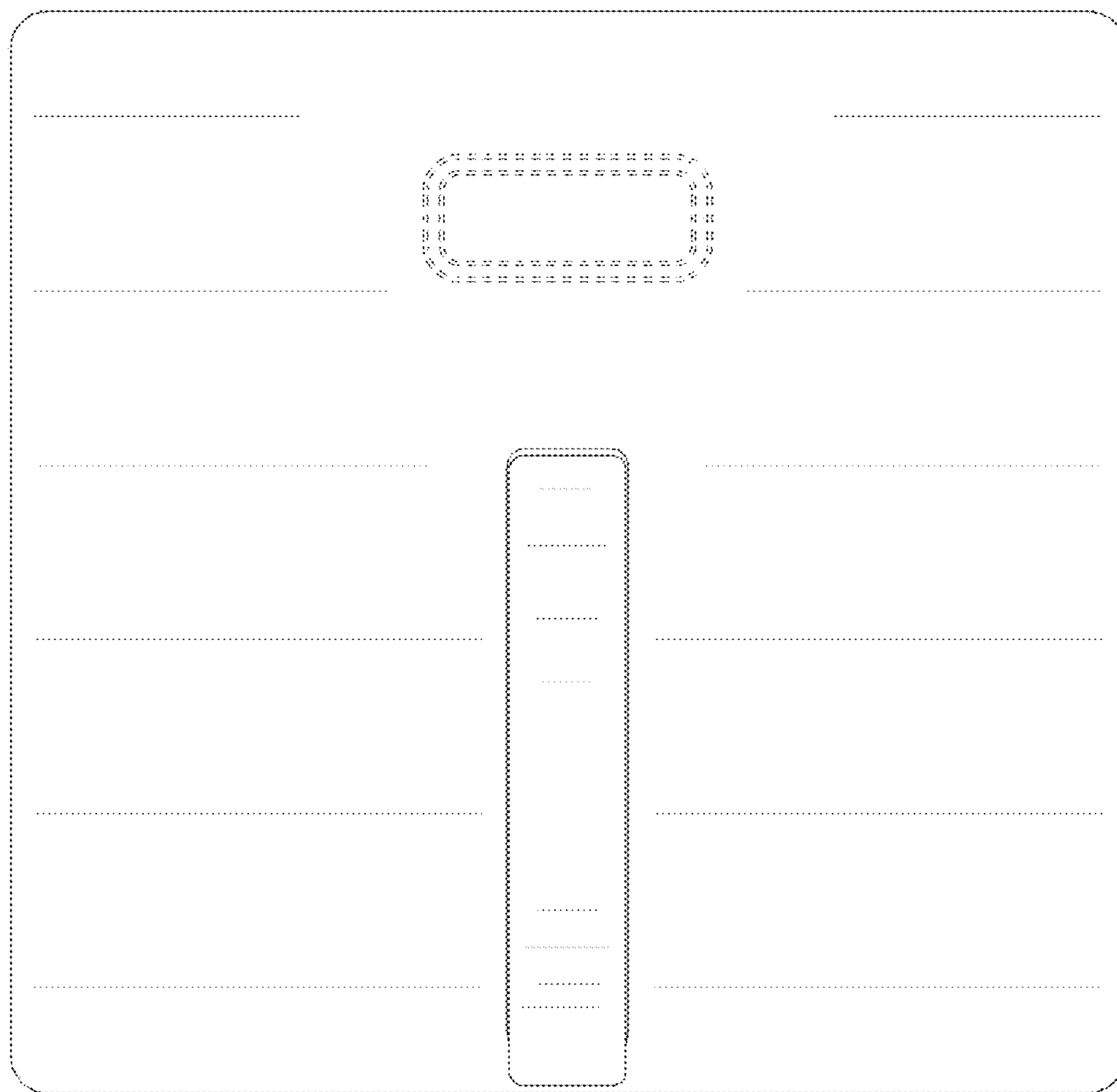


FIG. 4

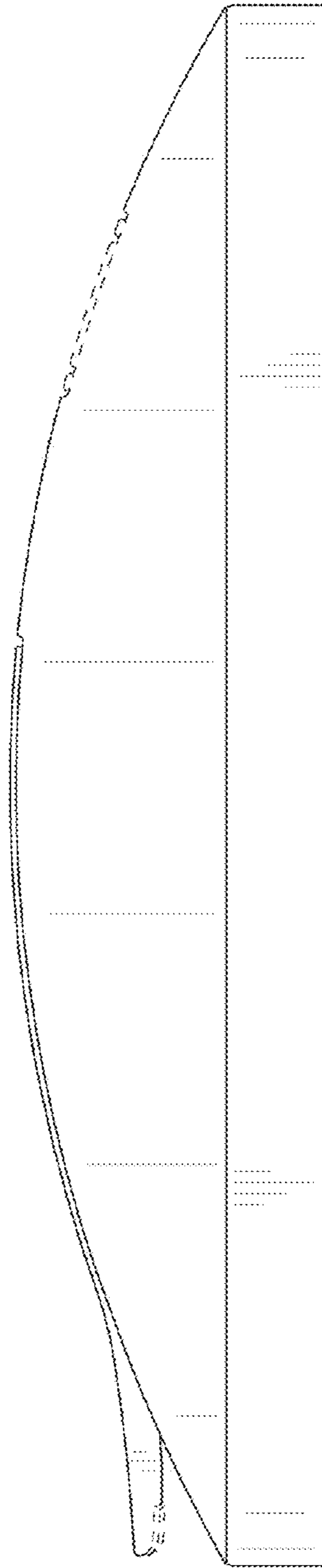


FIG. 5

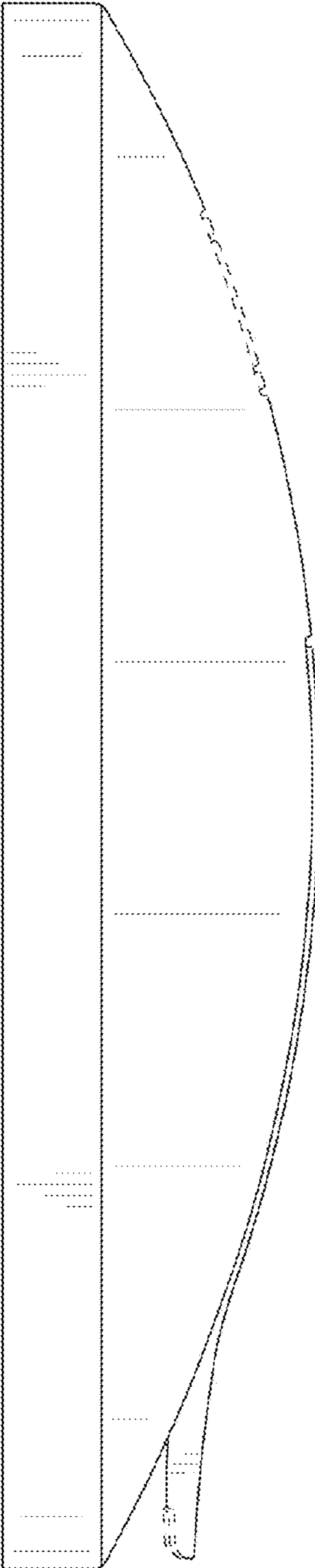


FIG. 6

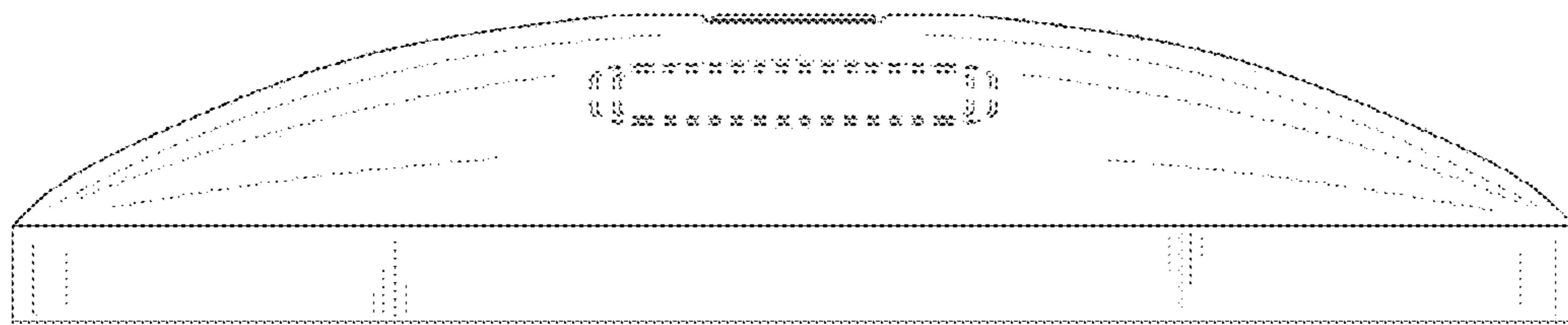


FIG. 7

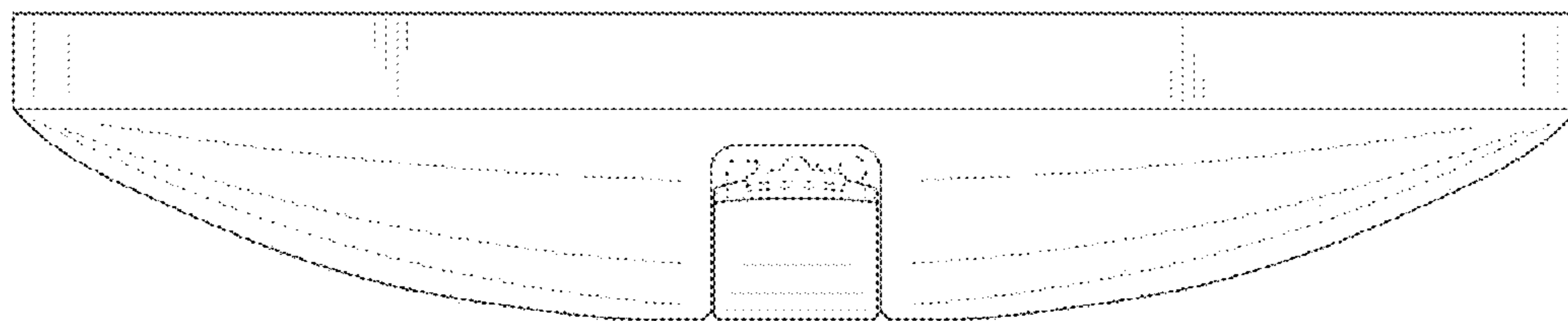


FIG. 8

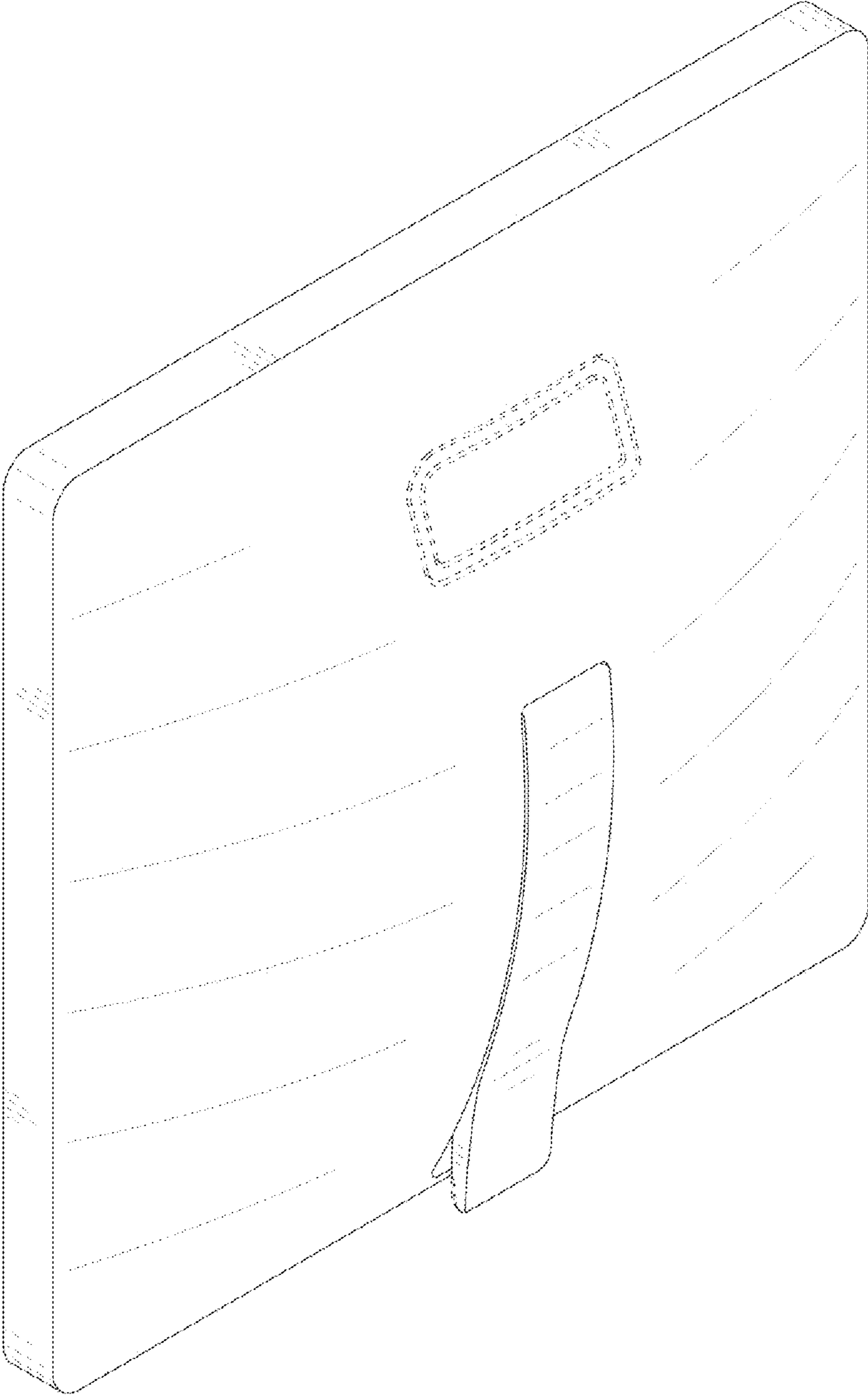
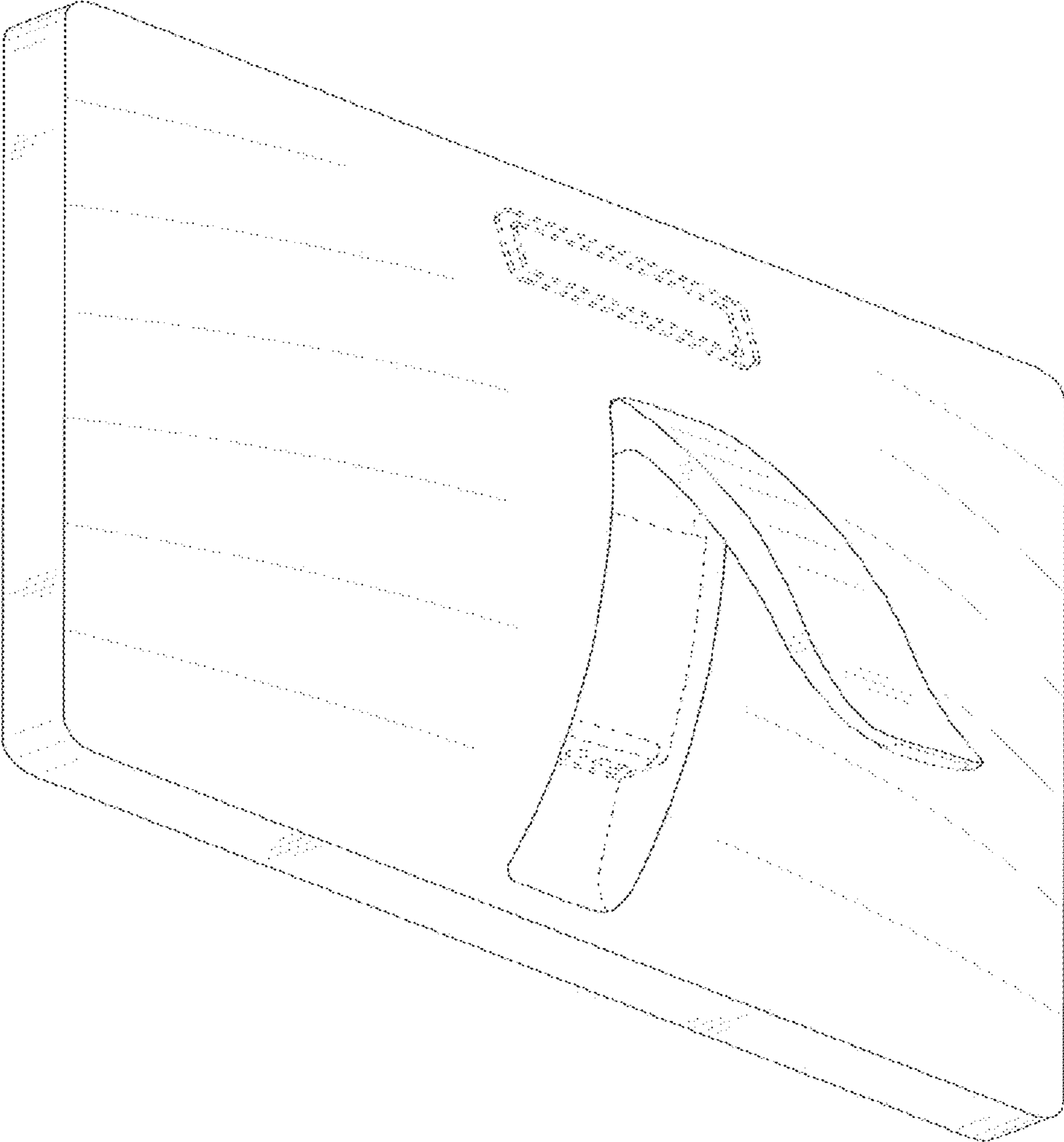


FIG. 9



UNITED STATES PATENT AND TRADEMARK OFFICE
CERTIFICATE OF CORRECTION

PATENT NO. : D760,693 S
APPLICATION NO. : 29/519289
DATED : July 5, 2016
INVENTOR(S) : Ji Gwang Kim et al.

Page 1 of 1

It is certified that error appears in the above-identified patent and that said Letters Patent is hereby corrected as shown below:

On the title page, item 30 the Foreign Application Priority Data should be changed from “Sept. 14, 2014” to --Sept. 4, 2014--

Signed and Sealed this
Eighth Day of November, 2016



Michelle K. Lee
Director of the United States Patent and Trademark Office