



(12) **United States Design Patent**
Seong et al.

(10) **Patent No.:** **US D760,692 S**
(45) **Date of Patent:** **** Jul. 5, 2016**

(54) **SPEAKER**

(71) Applicant: **Samsung Electronics Co., Ltd.**,
Suwon-si, Gyeonggi-do (KR)

(72) Inventors: **Bo Kyung Seong**, Daejeon (KR); **Sung Il Bang**, Seoul (KR)

(73) Assignee: **SAMSUNG ELECTRONICS CO., LTD.**, Suwon-Si, Gyeonggi-Do (KR)

(**) Term: **14 Years**

(21) Appl. No.: **29/519,069**

(22) Filed: **Mar. 2, 2015**

(30) **Foreign Application Priority Data**

Sep. 4, 2014 (KR) 30-2014-0043425

(51) **LOC (10) Cl.** **14-03**

(52) **U.S. Cl.**
USPC **D14/214**

(58) **Field of Classification Search**
USPC D14/167, 168, 170–172, 188, 194–196,
D14/204, 207, 209.1, 210–216, 219, 221,
D14/222, 224, 239, 496; 181/143, 144, 147,
181/148, 150, 153, 157, 198, 199;
381/300–303, 306, 332, 333, 336, 345,
381/361–364, 386–388; 369/6–12
CPC B60R 11/0217; G06F 1/1688; H04M 1/03;
H04M 1/035; H04R 1/02; H04R 1/06; H04R
1/021; H04R 1/025; H04R 1/026; H04R
1/028; H04R 1/105; H04R 1/323; H04R
1/403; H04R 1/2803; H04R 1/2834; H04R
5/02; H04R 7/20; H04R 9/06; H04R 9/025;
H04R 2201/021; H04R 2400/00; H04R
2400/07; H04R 2499/11; H04R 2499/13;
H04R 2499/15; H04S 3/00; H04S 7/30

See application file for complete search history.

(56) **References Cited**

U.S. PATENT DOCUMENTS

3,194,339 A * 7/1965 Pawlowski H04R 1/403
181/146

(Continued)

FOREIGN PATENT DOCUMENTS

JP D143813 12/2011
KR 30-0714238 10/2013

OTHER PUBLICATIONS

<http://www.turbosquid.com/3d-models/philips-obj/790009>.

Primary Examiner — Keli L Hill

(74) *Attorney, Agent, or Firm* — Ladas & Parry LLP

(57) **CLAIM**

We claim the ornamental design for speaker, as shown and described.

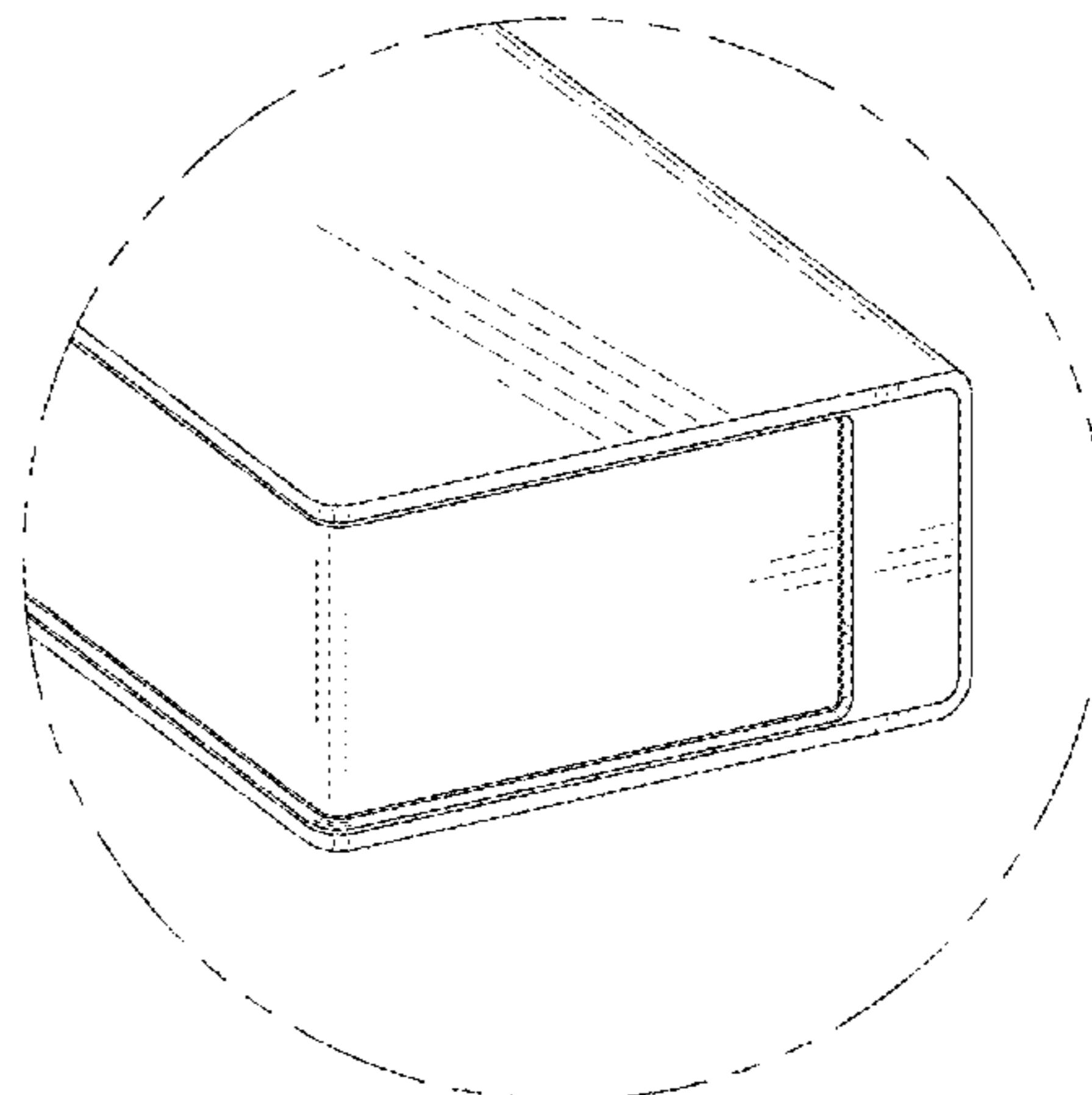
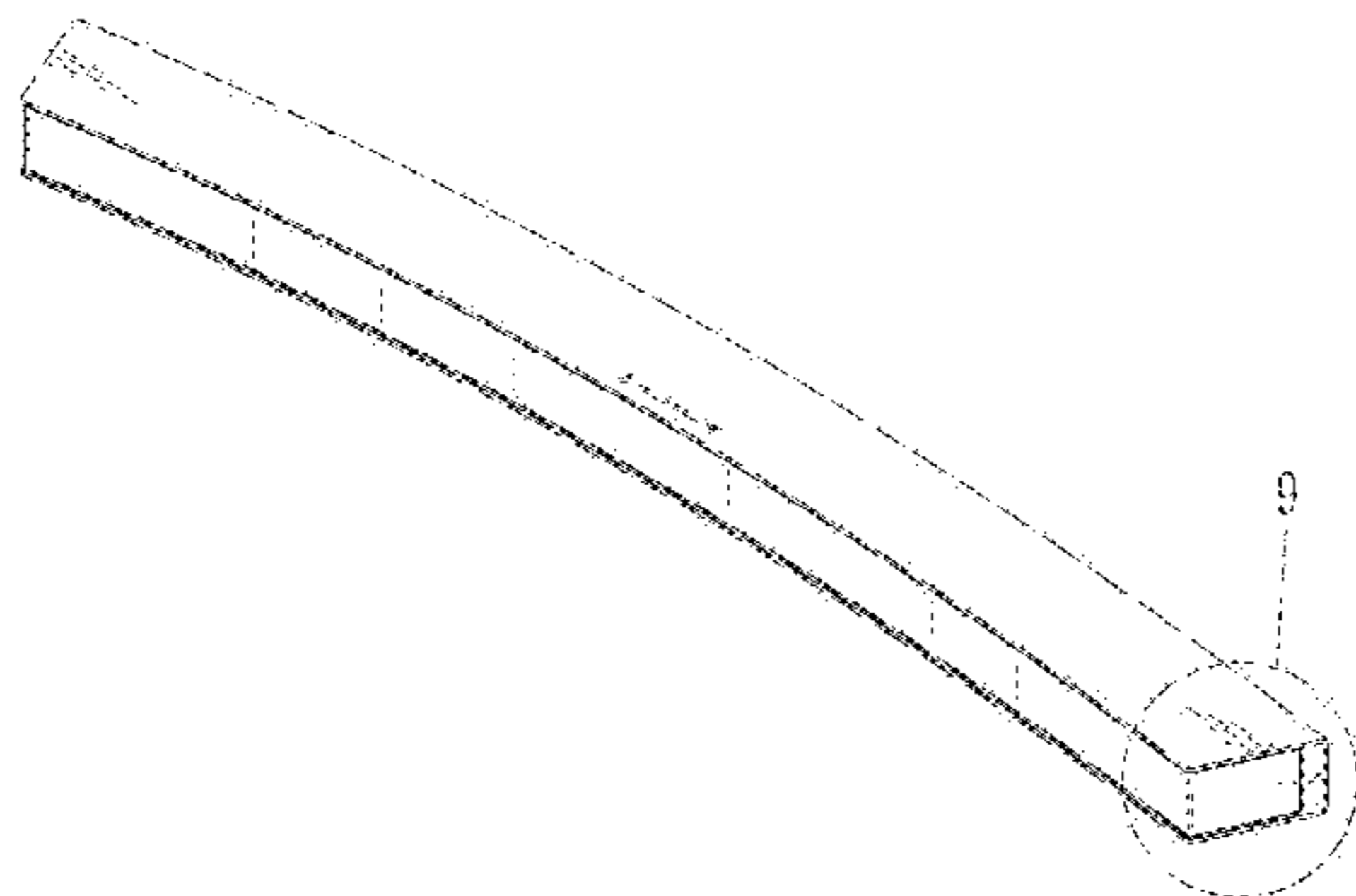
DESCRIPTION

FIG. 1 is the front perspective view of speaker showing our new design;
FIG. 2 is the front view thereof;
FIG. 3 is the rear view thereof;
FIG. 4 is the left-side view thereof;
FIG. 5 is the right-side view thereof;
FIG. 6 is the top plan view thereof;
FIG. 7 is the bottom plan view thereof;
FIG. 8 is the rear and bottom perspective view thereof;
FIG. 9 is the partially enlarged view of FIG. 1; and,
FIG. 10 is the enlarged view of FIG. 4.

The broken lines immediately adjacent the shaded areas represent the bounds of the claimed design while all other broken lines are included for the purpose of illustrating portions of the speaker; the broken lines form no part of the claimed design.

The dot-dot-dash broken lines encircling portions of the claimed design that are illustrated in enlargements form no part of the claimed design.

1 Claim, 8 Drawing Sheets



US D760,692 S

Page 2

(56)

References Cited

U.S. PATENT DOCUMENTS

D655,690 S * 3/2012 Yagi D14/214
D692,858 S * 11/2013 Millora D14/214

D715,769 S * 10/2014 McManigal D14/214
D719,931 S * 12/2014 Wang D14/204
D726,153 S * 4/2015 Chang D14/214
D745,488 S * 12/2015 Lee D14/204

* cited by examiner

FIG. 1

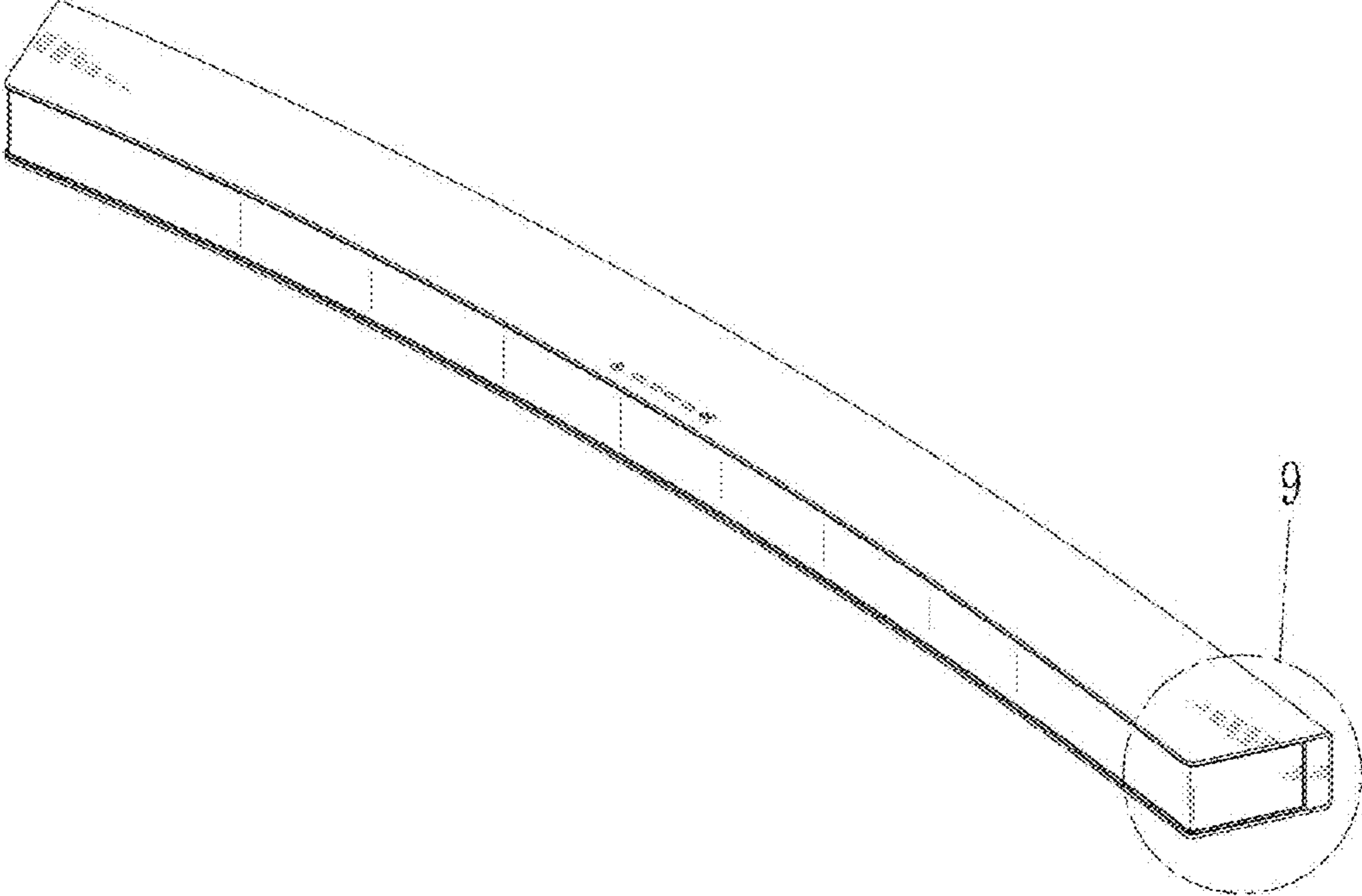


FIG. 2

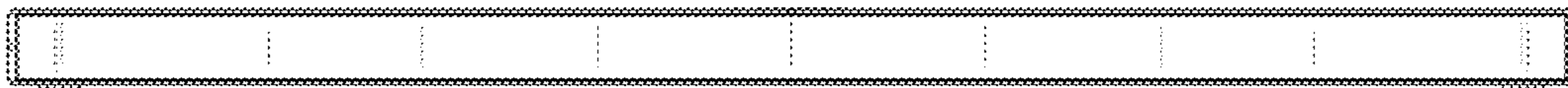


FIG. 3

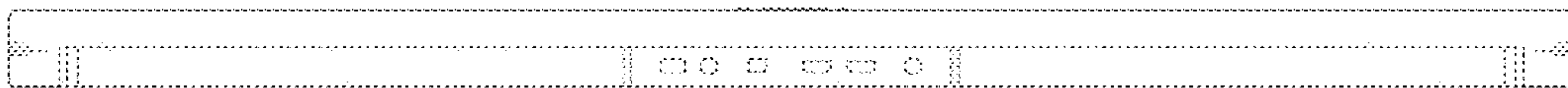


FIG. 4

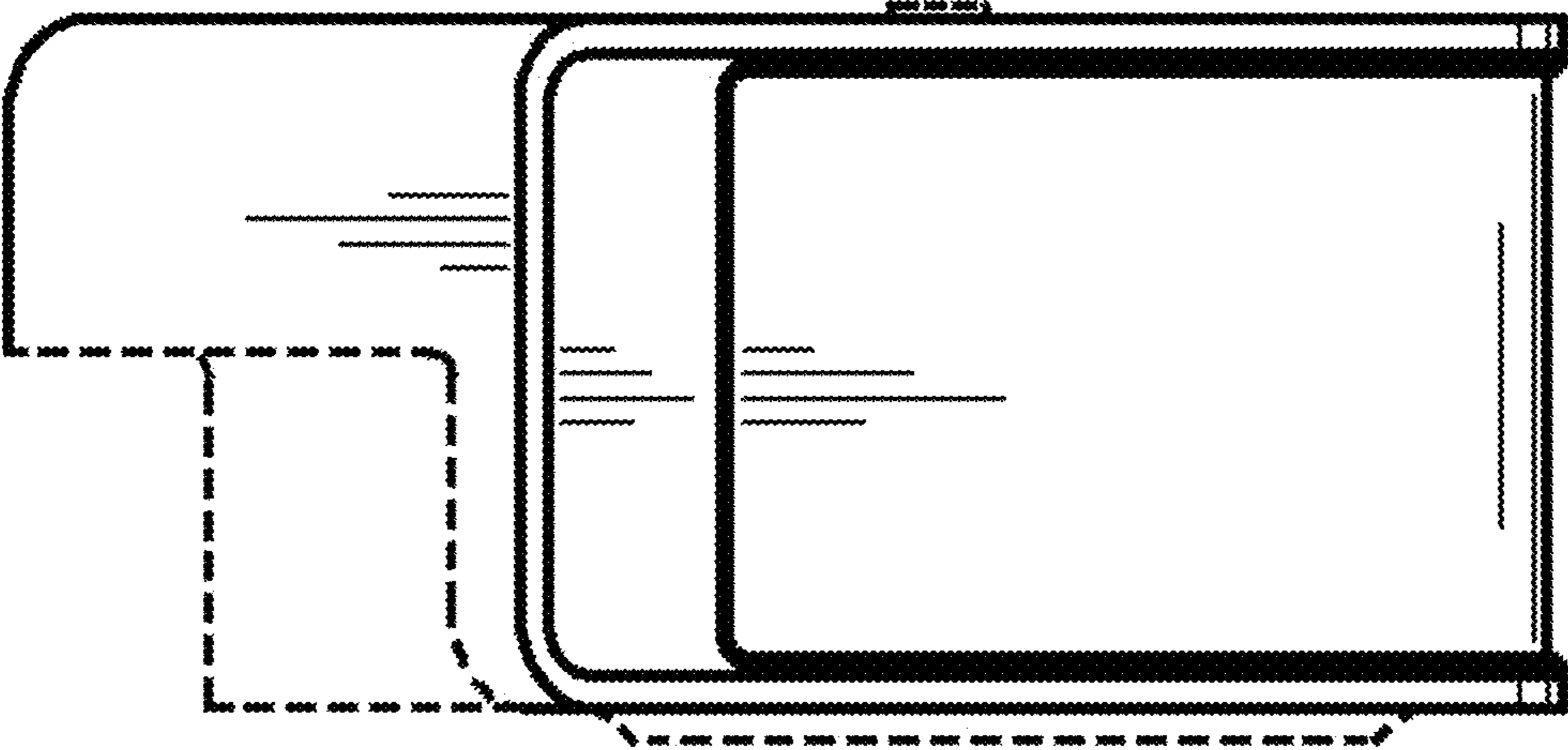


FIG. 5

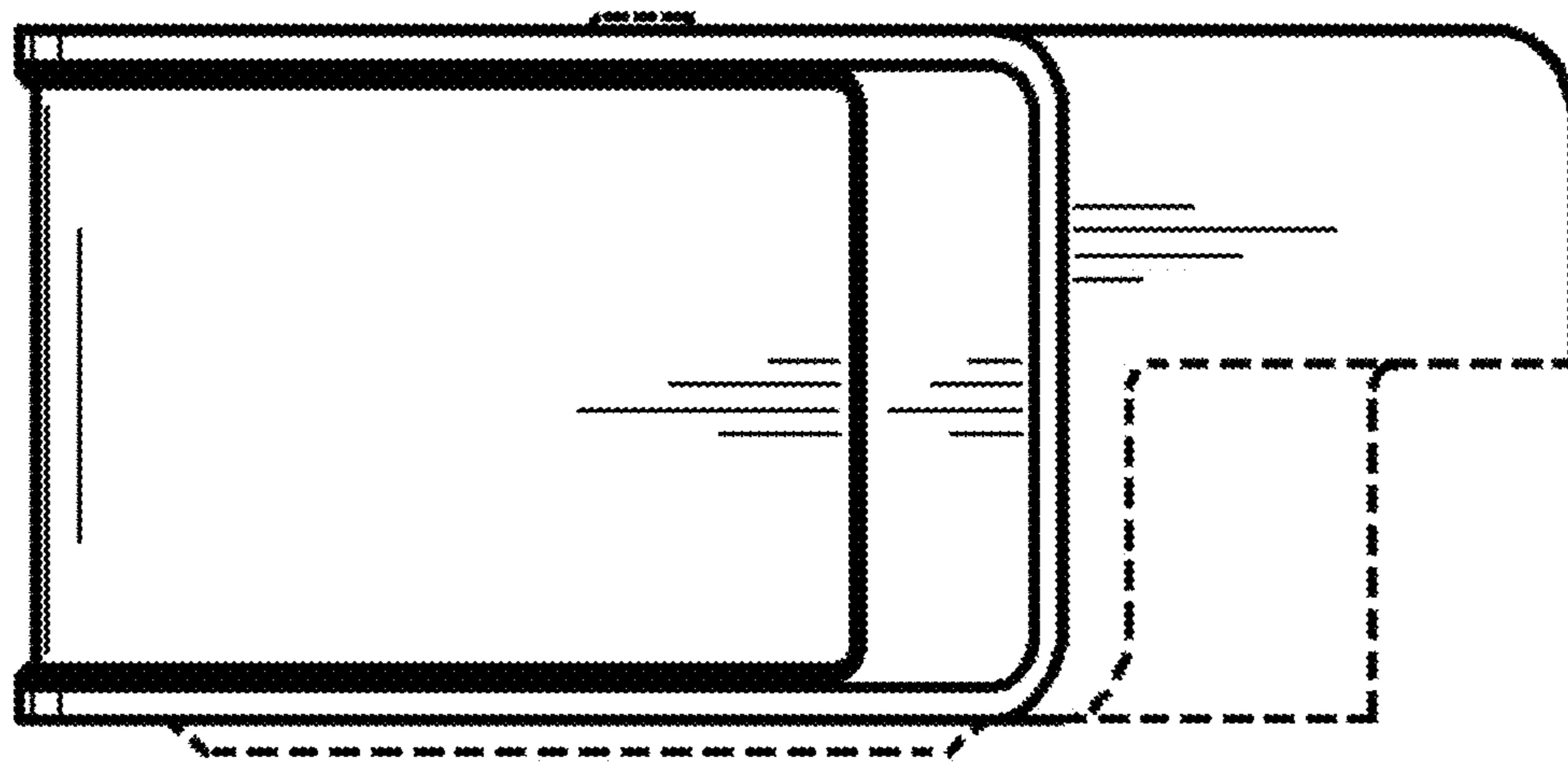


FIG. 6

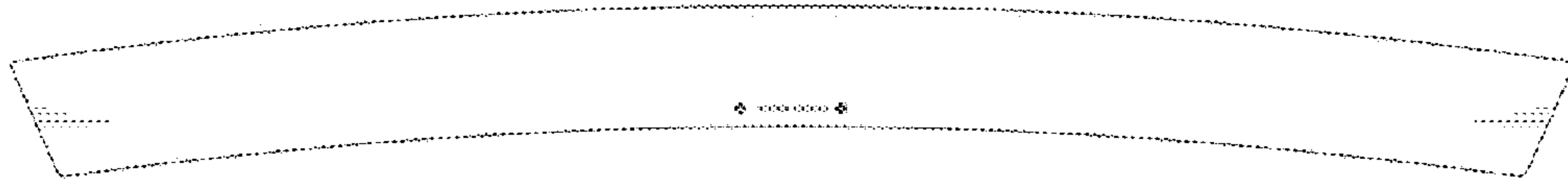


FIG. 7

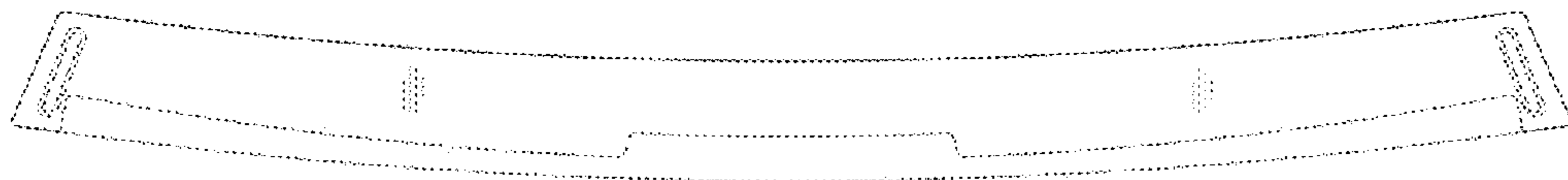


FIG. 8

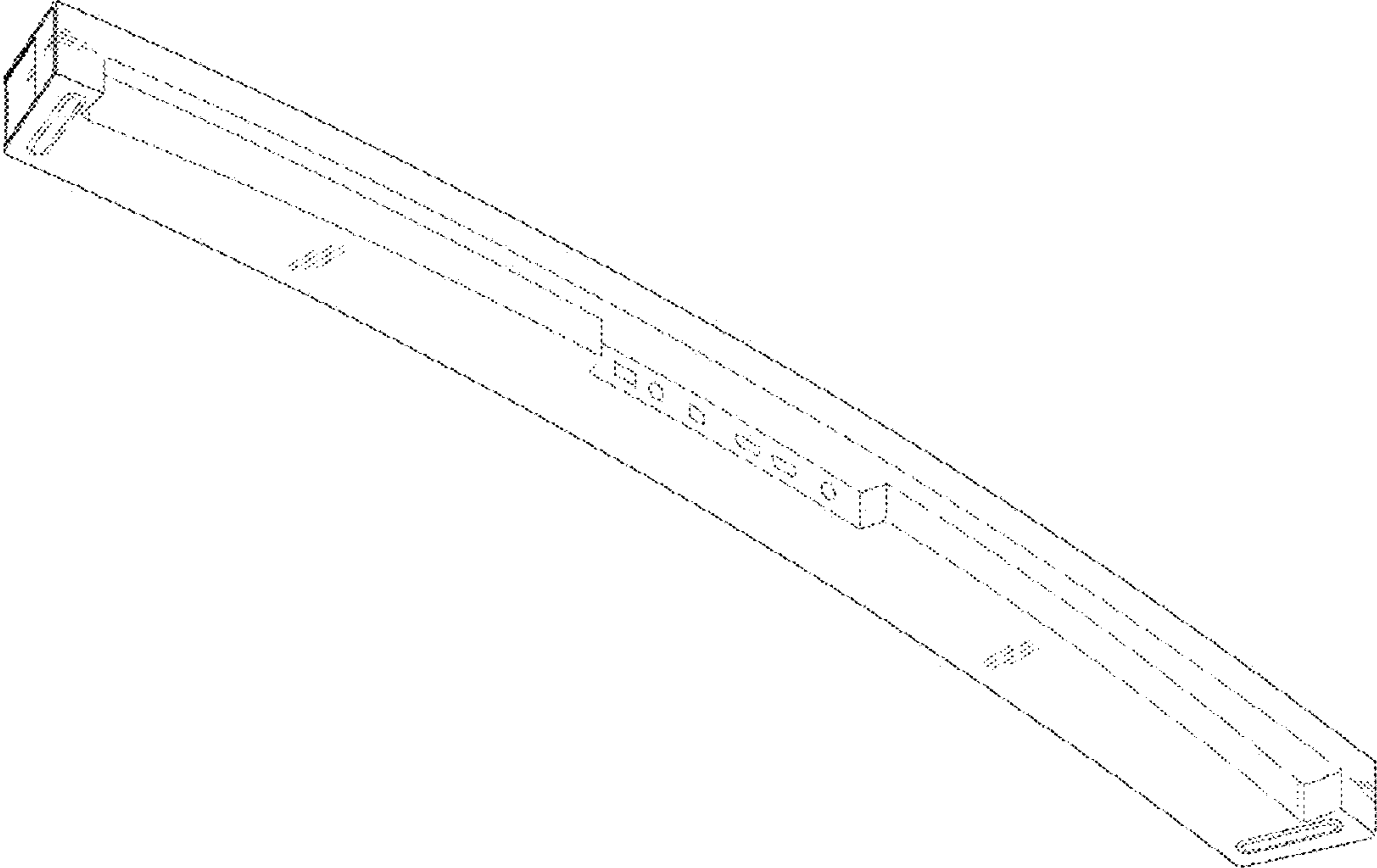


FIG. 9

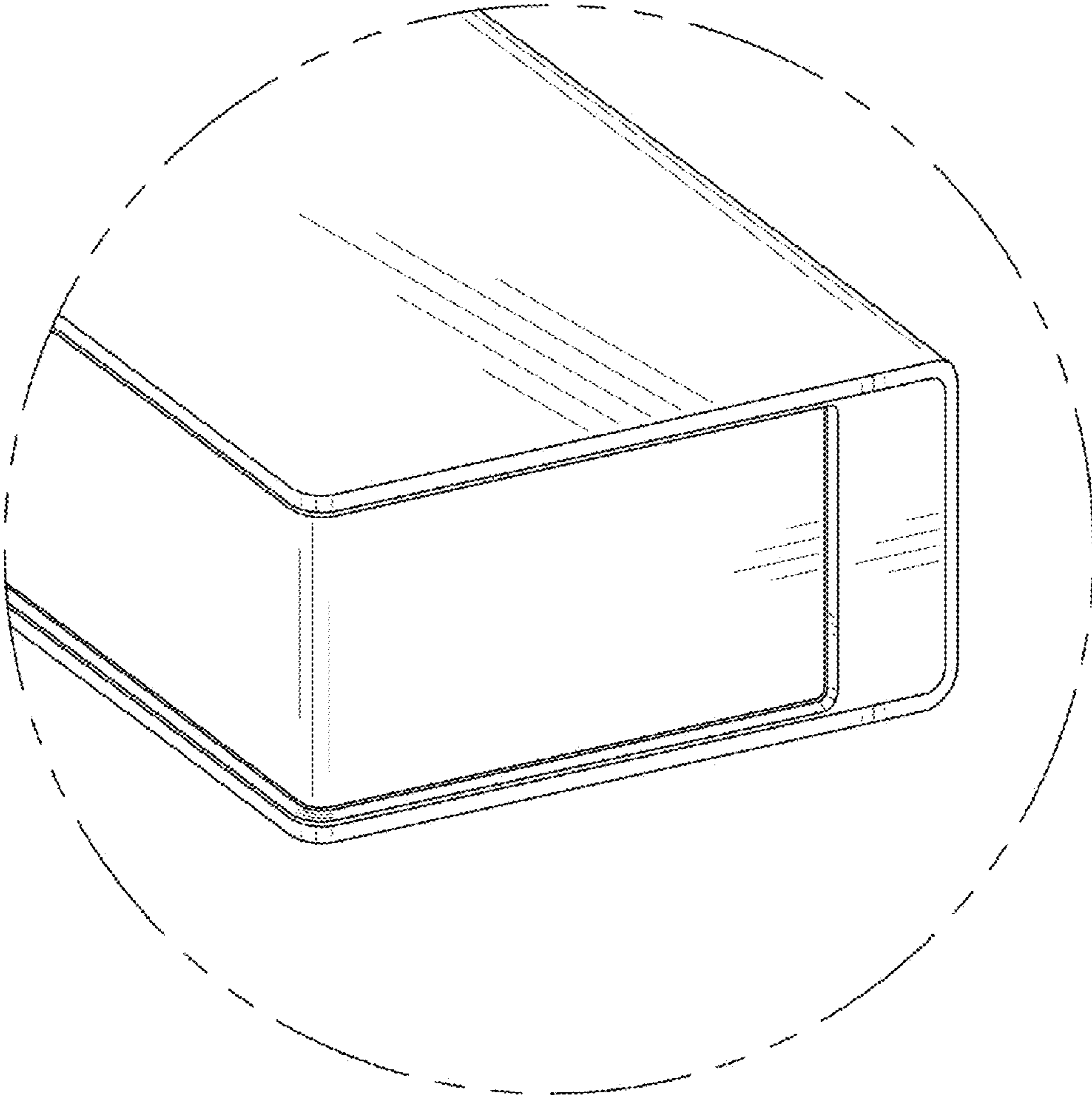


FIG. 10

