

US00D760689S

(12) **United States Design Patent**
Gecawicz et al.

(10) **Patent No.:** **US D760,689 S**

(45) **Date of Patent:** **** Jul. 5, 2016**

(54) **HEADSET**

(71) Applicants: **Raymond Gecawicz**, Acton, MA (US);
William Kyle, Reading, MA (US)

(72) Inventors: **Raymond Gecawicz**, Acton, MA (US);
William Kyle, Reading, MA (US)

(**) Term: **15 Years**

(21) Appl. No.: **29/541,858**

(22) Filed: **Oct. 8, 2015**

(51) **LOC (10) Cl.** **14-01**

(52) **U.S. Cl.**
USPC **D14/206**

(58) **Field of Classification Search**
USPC D14/205, 206; 181/129, 130, 135;
379/430, 431; 381/380, 381, 382, 370,
381/374, 375, 322, 315; 455/90.3, 575.1
CPC H04R 1/1066
See application file for complete search history.

(56) **References Cited**

U.S. PATENT DOCUMENTS

4,302,635	A	11/1981	Jacobsen et al.	
4,418,248	A	11/1983	Mathis	
4,472,607	A	9/1984	Houng	
4,499,593	A	2/1985	Antle	
4,634,816	A	1/1987	O'Malley et al.	
4,689,822	A	8/1987	Houng	
4,875,233	A *	10/1989	Derhaag	H04M 1/05 379/430
5,018,599	A	5/1991	Dohi et al.	
5,197,332	A	3/1993	Shennib	
5,381,486	A	1/1995	Ludeke et al.	
5,446,788	A	8/1995	Lucey et al.	
5,469,505	A	11/1995	Gatley et al.	
D366,486	S *	1/1996	Runquist	D14/142
5,555,554	A	9/1996	Hofer et al.	
5,579,400	A	11/1996	Ballein	
D377,020	S *	12/1996	Bungardt	D14/205

5,793,878	A	8/1998	Chang	
5,832,098	A	11/1998	Chen	
5,890,074	A	3/1999	Rydbeck et al.	
D410,921	S *	6/1999	Luchs	D14/142
6,075,857	A	6/2000	Doss, Jr. et al.	
6,078,825	A	6/2000	Hahn et al.	
6,101,260	A	8/2000	Jensen et al.	

(Continued)

Primary Examiner — Paula Greene

(74) *Attorney, Agent, or Firm* — Thomas P. O'Connell;
O'Connell Law Firm

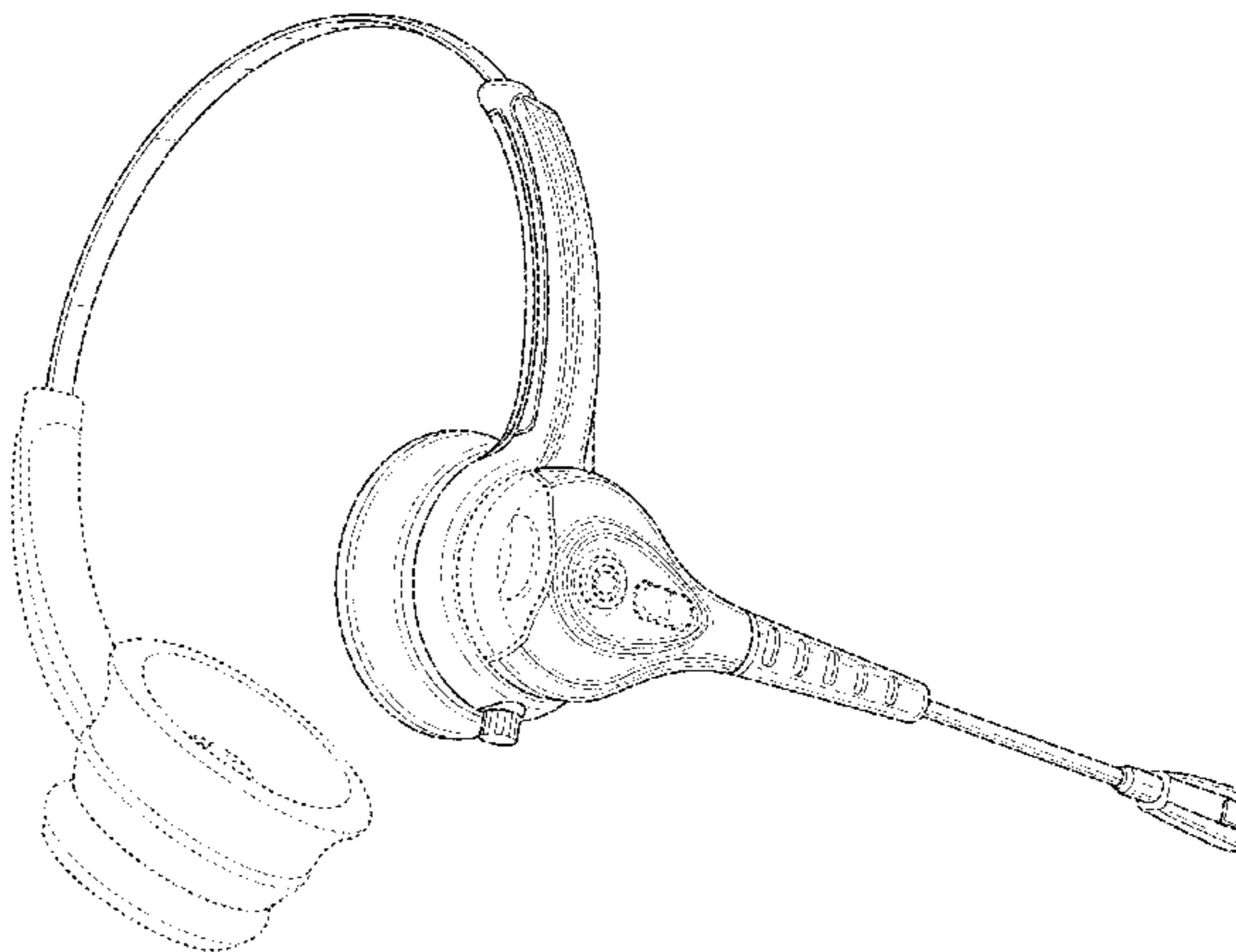
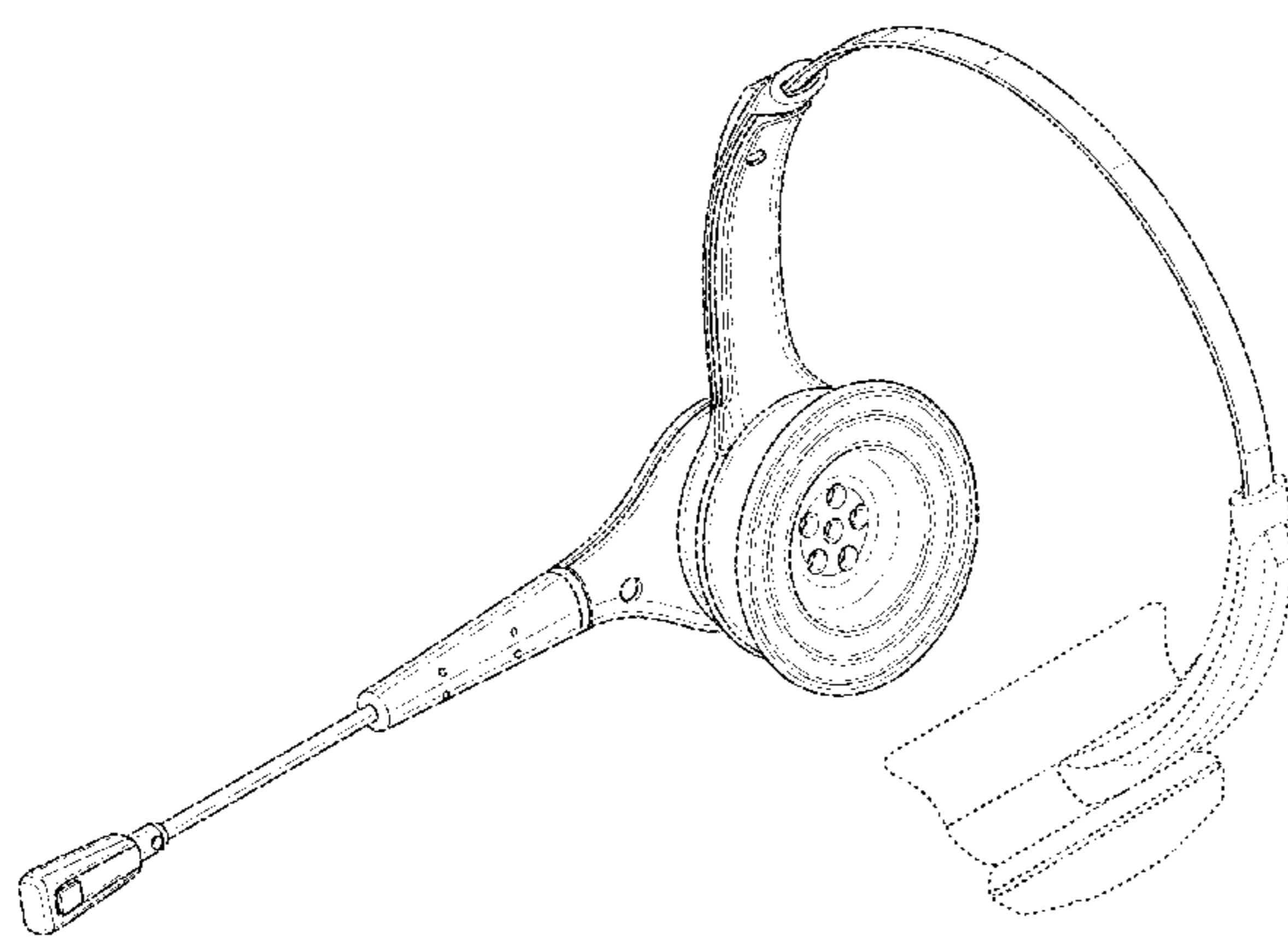
(57) **CLAIM**

We claim the ornamental design for a headset, as shown and described.

DESCRIPTION

FIG. 1 is a perspective view of a headset showing our design; FIG. 2 is a rearward perspective view thereof; FIG. 3 is a view in front elevation thereof; FIG. 4 is a view in rear elevation thereof; FIG. 5 is a view in right side elevation thereof; FIG. 6 is a view in left side elevation thereof; FIG. 7 is a top plan view thereof; FIG. 8 is a bottom plan view thereof; FIG. 9 is a perspective view of an alternative embodiment of the headset; FIG. 10 is a rearward perspective view of the headset of FIG. 9; FIG. 11 is a view in front elevation of the headset of FIG. 9; FIG. 12 is a view in rear elevation of the headset of FIG. 9; FIG. 13 is a view in right side elevation of the headset of FIG. 9; FIG. 14 is a view in left side elevation of the headset of FIG. 9; FIG. 15 is a top plan view of the headset of FIG. 9; and, FIG. 16 is a bottom plan view of the headset of FIG. 9. The broken lines are for illustrative purposes only and do not form a part of the claimed design.

1 Claim, 16 Drawing Sheets



(56)

References Cited

U.S. PATENT DOCUMENTS

6,230,029 B1	5/2001	Hahn et al.	
D443,870 S	6/2001	Carpenter et al.	
D449,035 S	10/2001	Weikel et al.	
D451,903 S *	12/2001	Amae	D14/206
D451,906 S *	12/2001	Amae	D14/223
D451,907 S *	12/2001	Amae	D14/206
6,356,635 B1 *	3/2002	Lyman	H04M 1/05 379/430
6,359,995 B1 *	3/2002	Ou	H04R 1/1066 381/330
6,373,942 B1	4/2002	Braund	
6,374,126 B1	4/2002	MacDonald, Jr. et al.	
6,466,681 B1	10/2002	Siska, Jr. et al.	
D482,019 S *	11/2003	Petersen	D14/206
D494,154 S	8/2004	Polito	
D498,470 S	11/2004	Skulley et al.	
D504,883 S *	5/2005	Jacobson	D14/192
D517,528 S *	3/2006	Skulley	D14/206
D530,307 S *	10/2006	Rath	D14/206
D530,702 S *	10/2006	Pritchard	D14/206
D531,165 S	10/2006	Rath	
D538,785 S	3/2007	Skulley	
D540,778 S	4/2007	Thompson et al.	
D542,774 S *	5/2007	Rausch	D14/206
D549,216 S *	8/2007	Viduya	D14/206
D549,694 S	8/2007	Viduya et al.	
D567,219 S	4/2008	Viduya et al.	
D567,799 S	4/2008	Viduya et al.	
D567,806 S	4/2008	Viduya et al.	
7,391,863 B2	6/2008	Viduya et al.	
D589,934 S	4/2009	Esses	
D597,072 S	7/2009	Asai	
D601,543 S *	10/2009	Bentley	D14/206
D602,001 S *	10/2009	Bentley	D14/206
D602,002 S	10/2009	Asai	
D605,629 S	12/2009	Suwalski et al.	
D613,267 S	4/2010	Suwalski et al.	
D616,419 S	5/2010	Suwalski et al.	
D628,189 S	11/2010	Rath	
D635,548 S	4/2011	Kelley	
D638,000 S	5/2011	Hoggarth	
D640,666 S	6/2011	Wahl	
D641,337 S	7/2011	Brandis	
D645,023 S	9/2011	Brandis	
8,061,473 B1 *	11/2011	Kerr	A61F 11/008 181/135
D653,649 S *	2/2012	Yang	D14/206
8,160,287 B2	4/2012	Slippy et al.	
D666,168 S	8/2012	Rath	
D668,240 S	10/2012	Brandis	
D673,523 S	1/2013	Brennwald	
D673,524 S *	1/2013	Brennwald	D14/206
D681,004 S	4/2013	Kelley	
D684,145 S *	6/2013	Rath	D14/206
D712,875 S	9/2014	Katori et al.	
D716,258 S	10/2014	Awiszus et al.	
D716,259 S *	10/2014	Awiszus	D14/206
D716,762 S	11/2014	Greve	
D719,135 S *	12/2014	Kelley	D14/205
D723,511 S	3/2015	Pedersen	
D724,562 S	3/2015	Sparks et al.	
D731,458 S	6/2015	Goransson	
D732,002 S	6/2015	Goransson	
D732,503 S	6/2015	Brunner et al.	
D733,677 S	7/2015	Ling et al.	
2001/0017925 A1	8/2001	Ceravolo	
2001/0017926 A1	8/2001	Vicamini	
2001/0036291 A1	11/2001	Pallai	
2002/0009191 A1	1/2002	Lucey et al.	
2002/0085733 A1	7/2002	Cottrell	
2002/0131616 A1	9/2002	Bronnikov et al.	
2003/0068061 A1	4/2003	Huang	
2004/0190745 A1 *	9/2004	Chen	H04R 1/1066 381/381
2004/0264720 A1 *	12/2004	Huang	H04M 1/05 381/315
2007/0223766 A1	9/2007	Davis et al.	
2012/0163616 A1	6/2012	Birch	
2012/0328119 A1	12/2012	Heise	

* cited by examiner

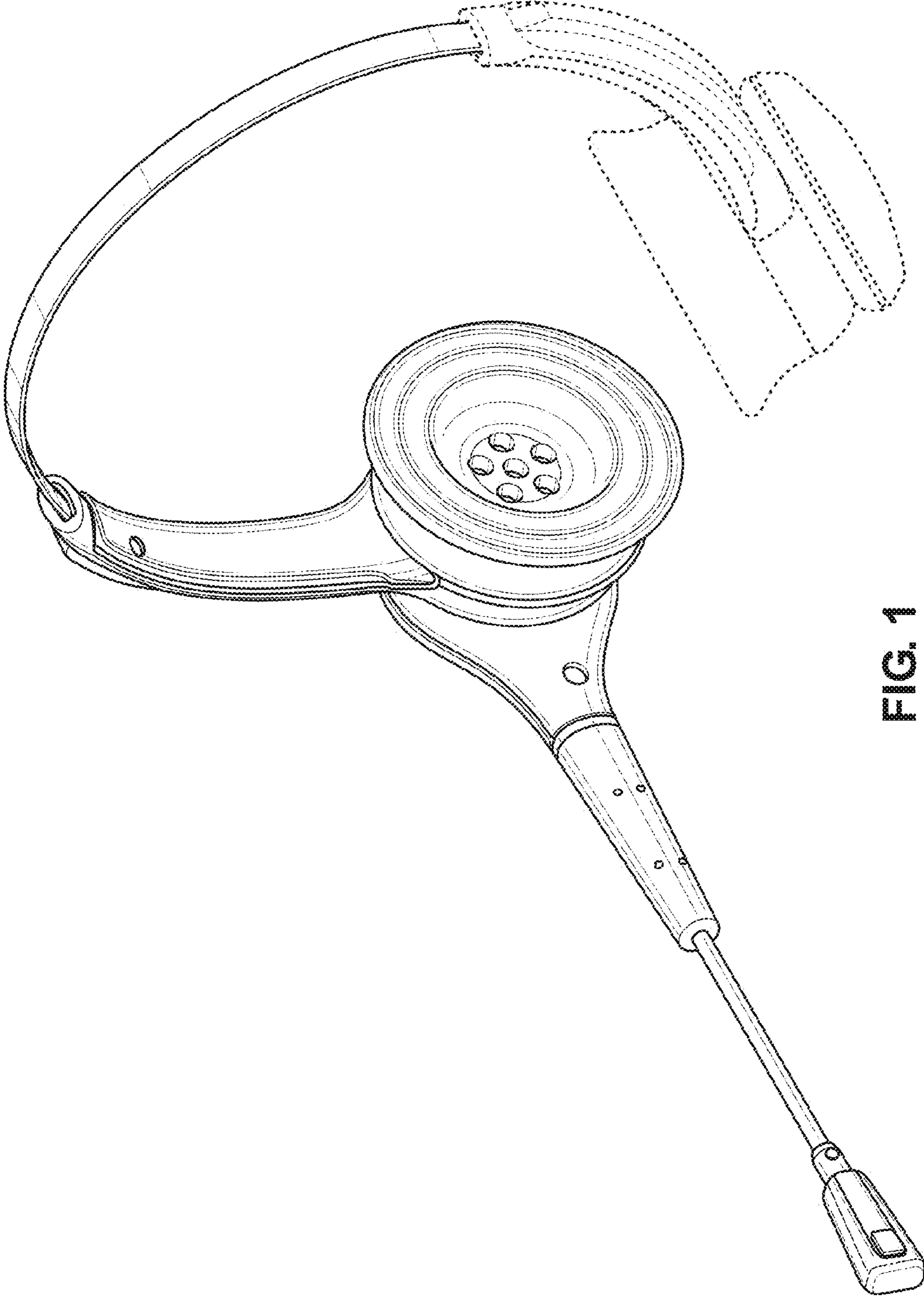


FIG. 1

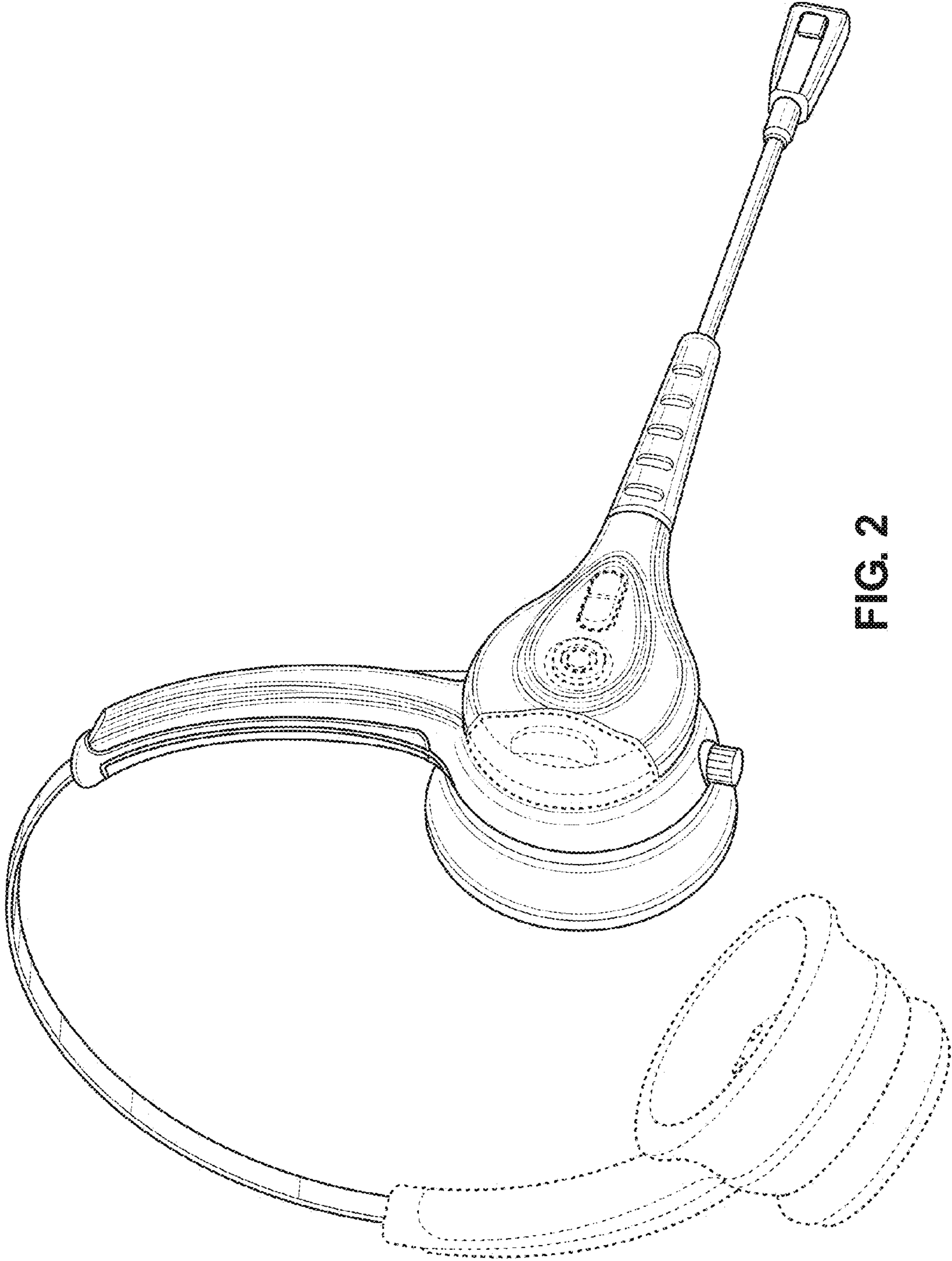


FIG. 2

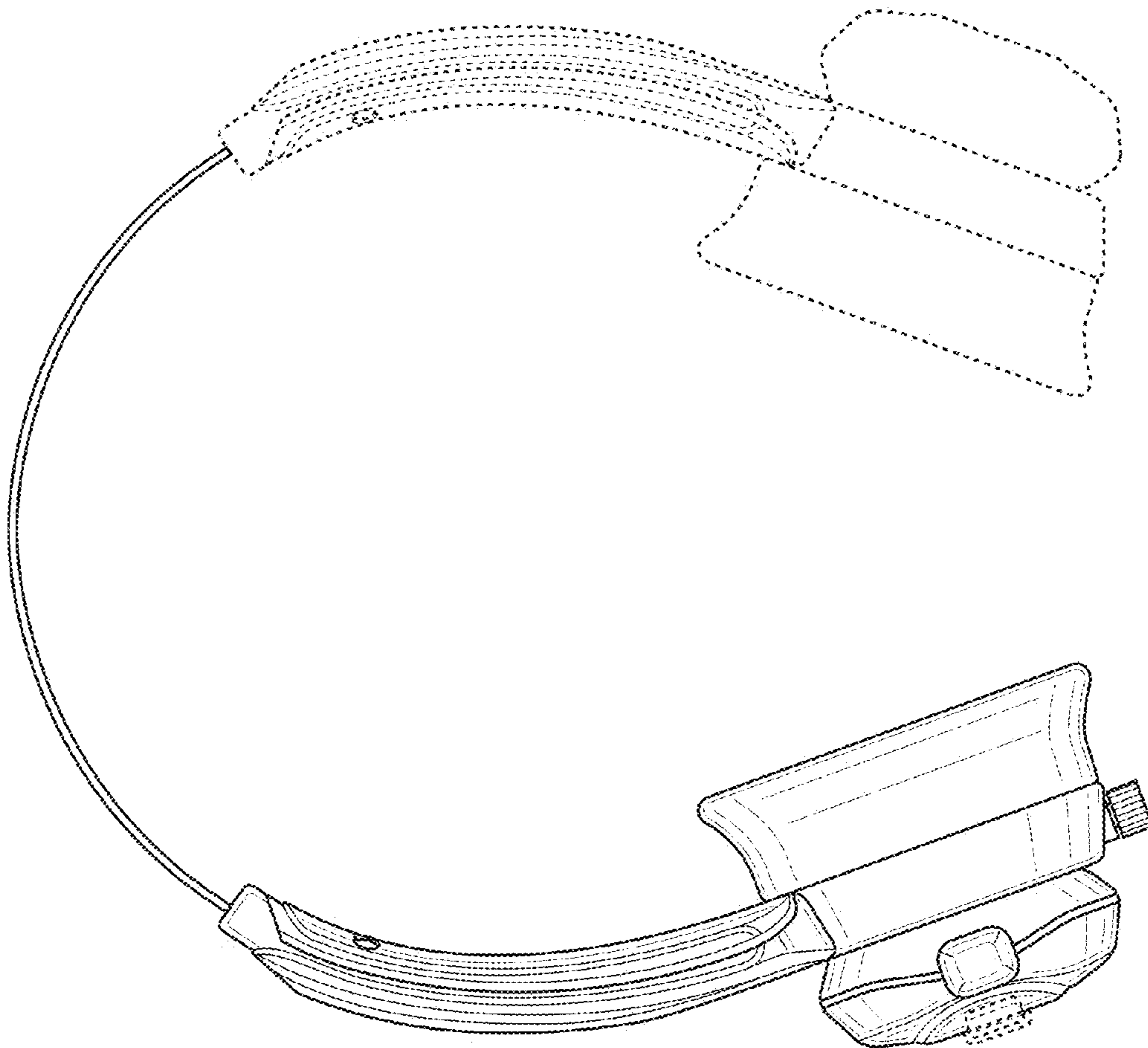


FIG. 3

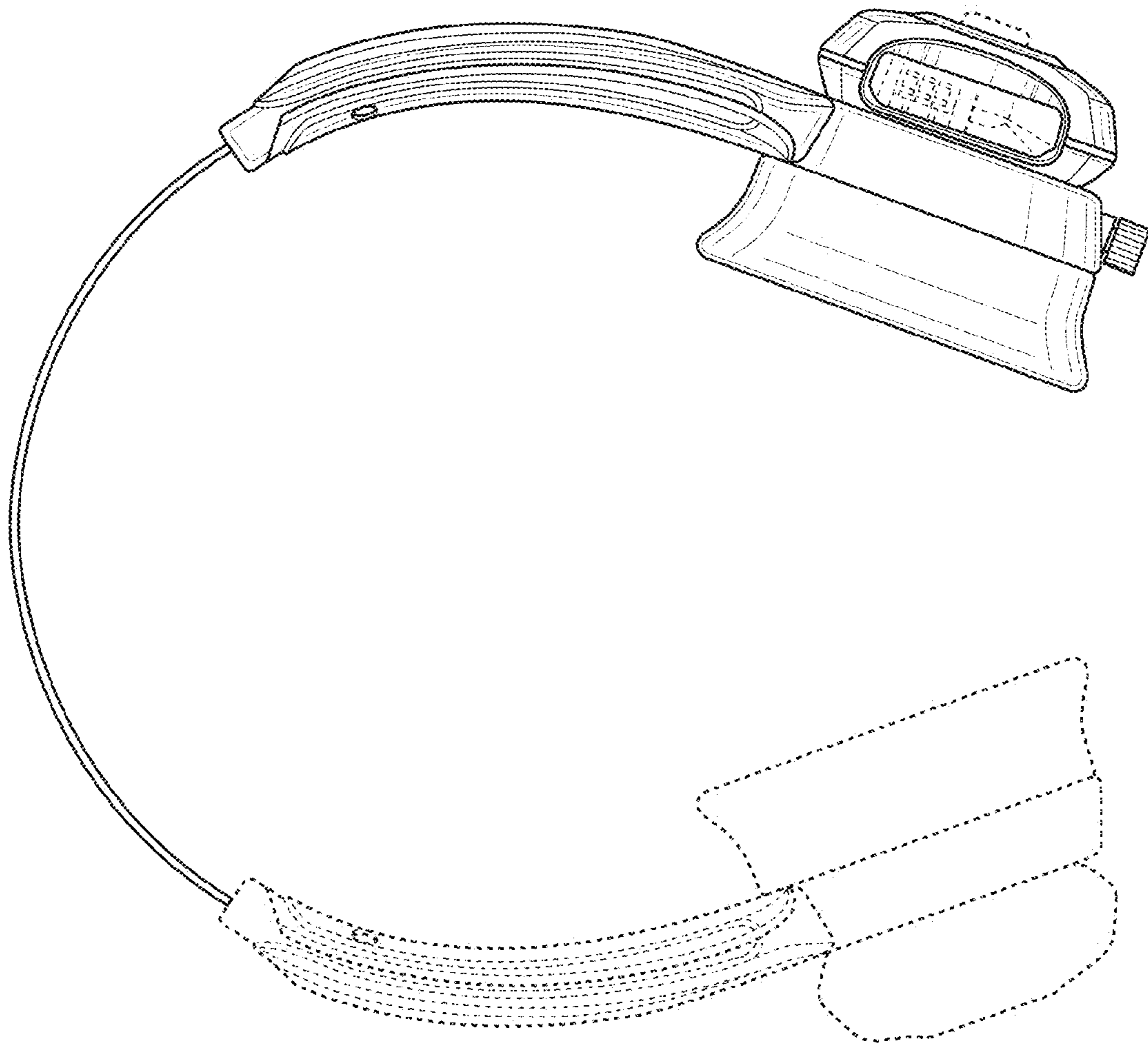


FIG. 4

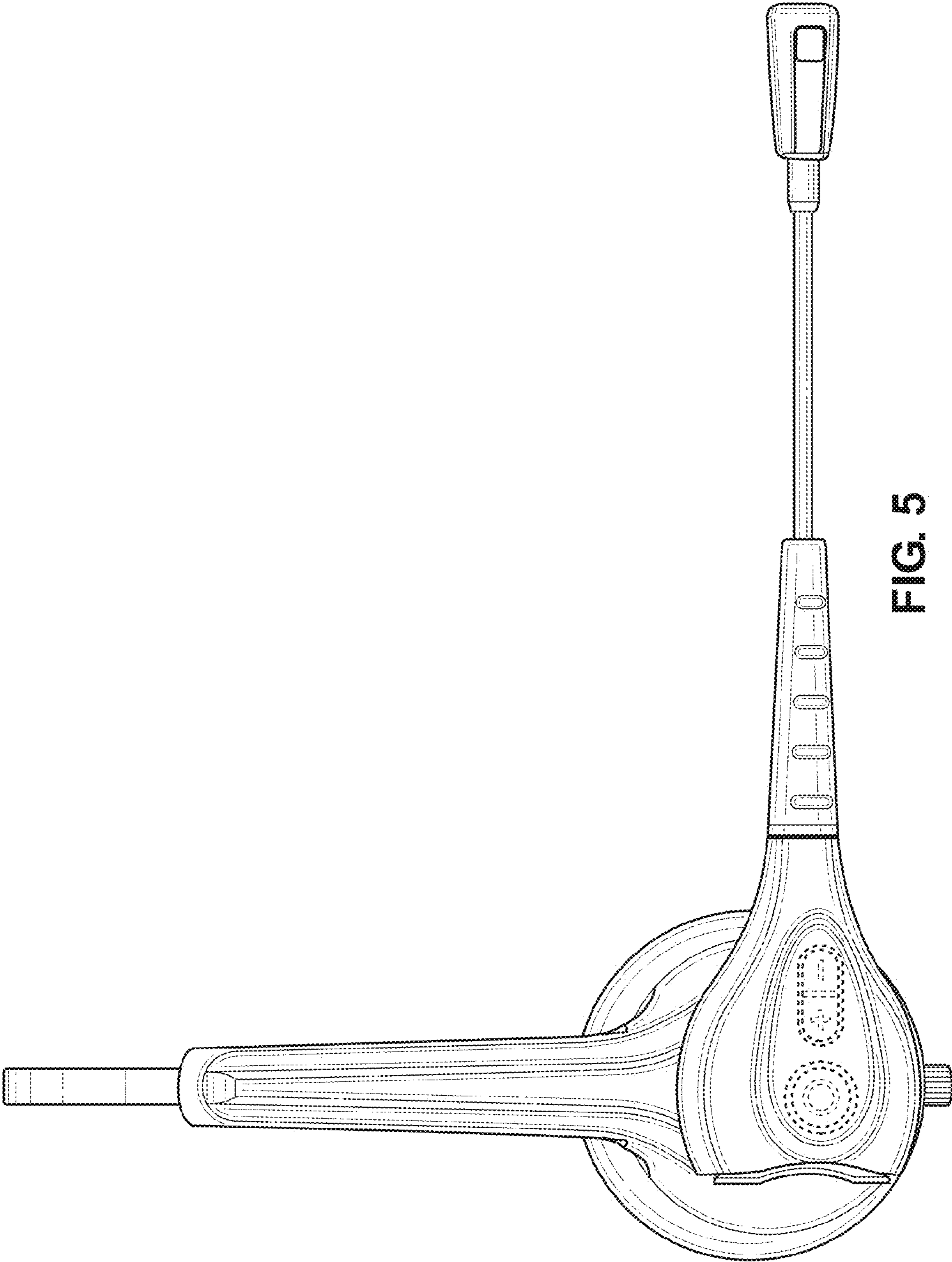


FIG. 5

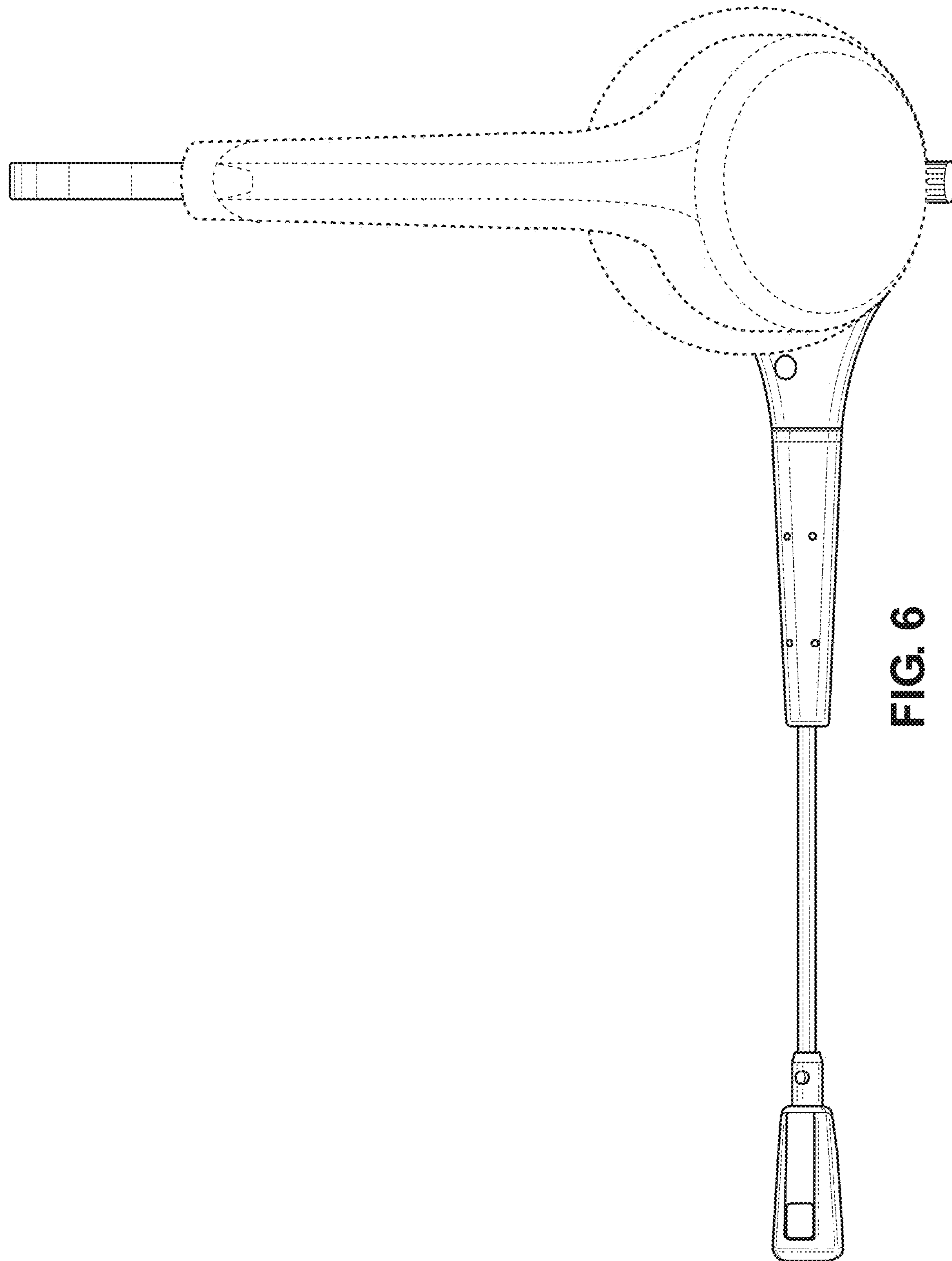


FIG. 6

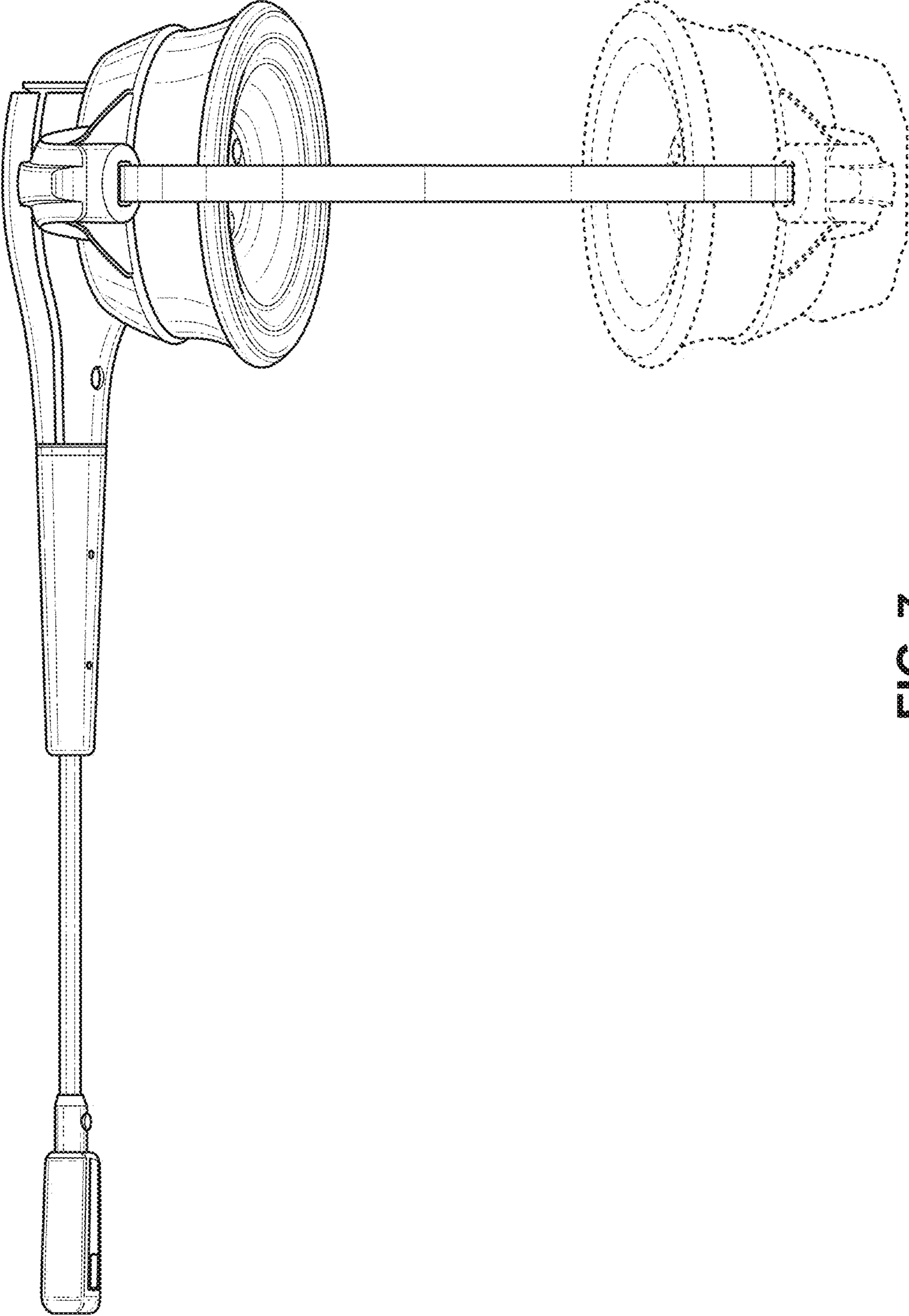


FIG. 7

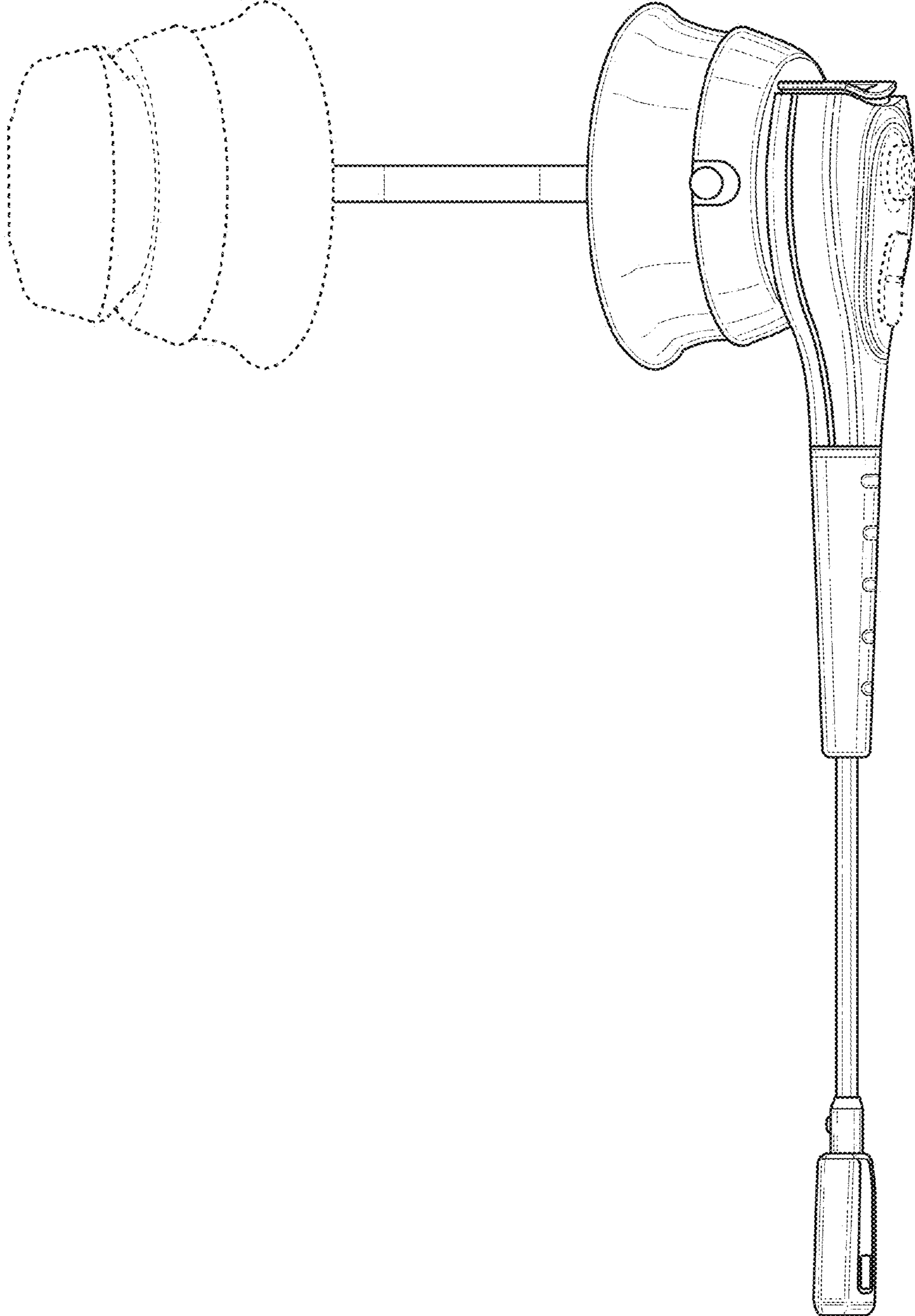


FIG. 8

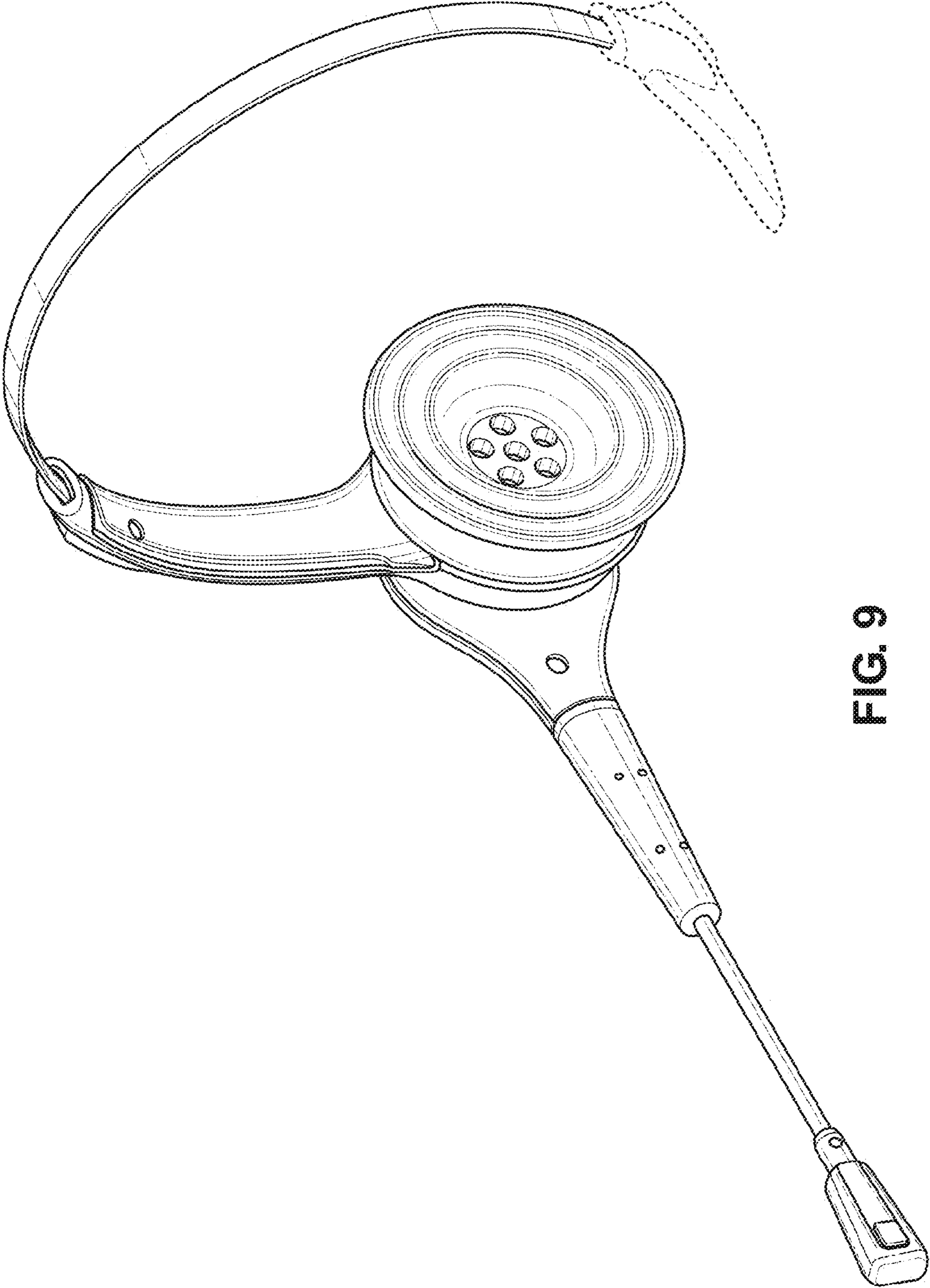


FIG. 9

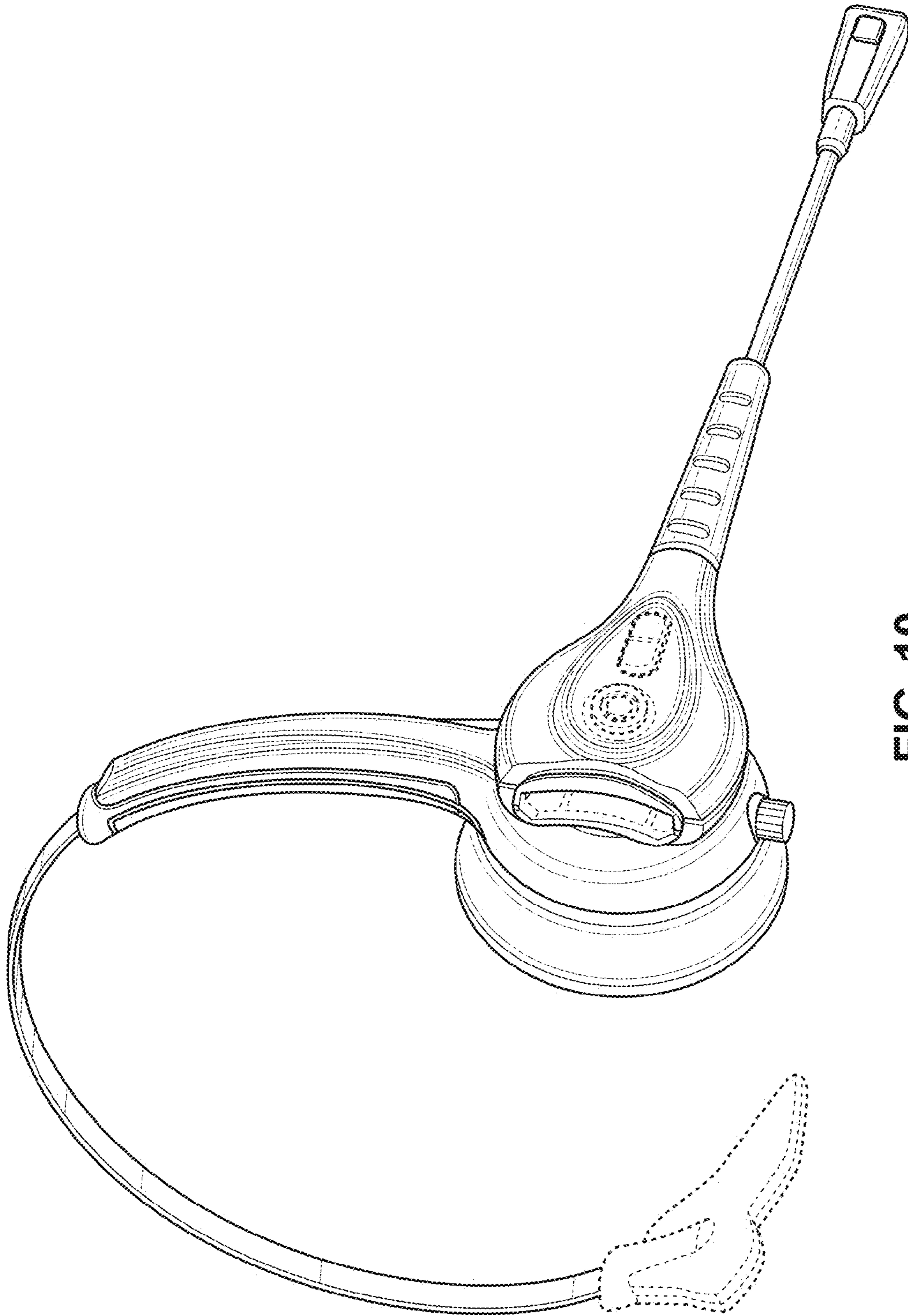


FIG. 10

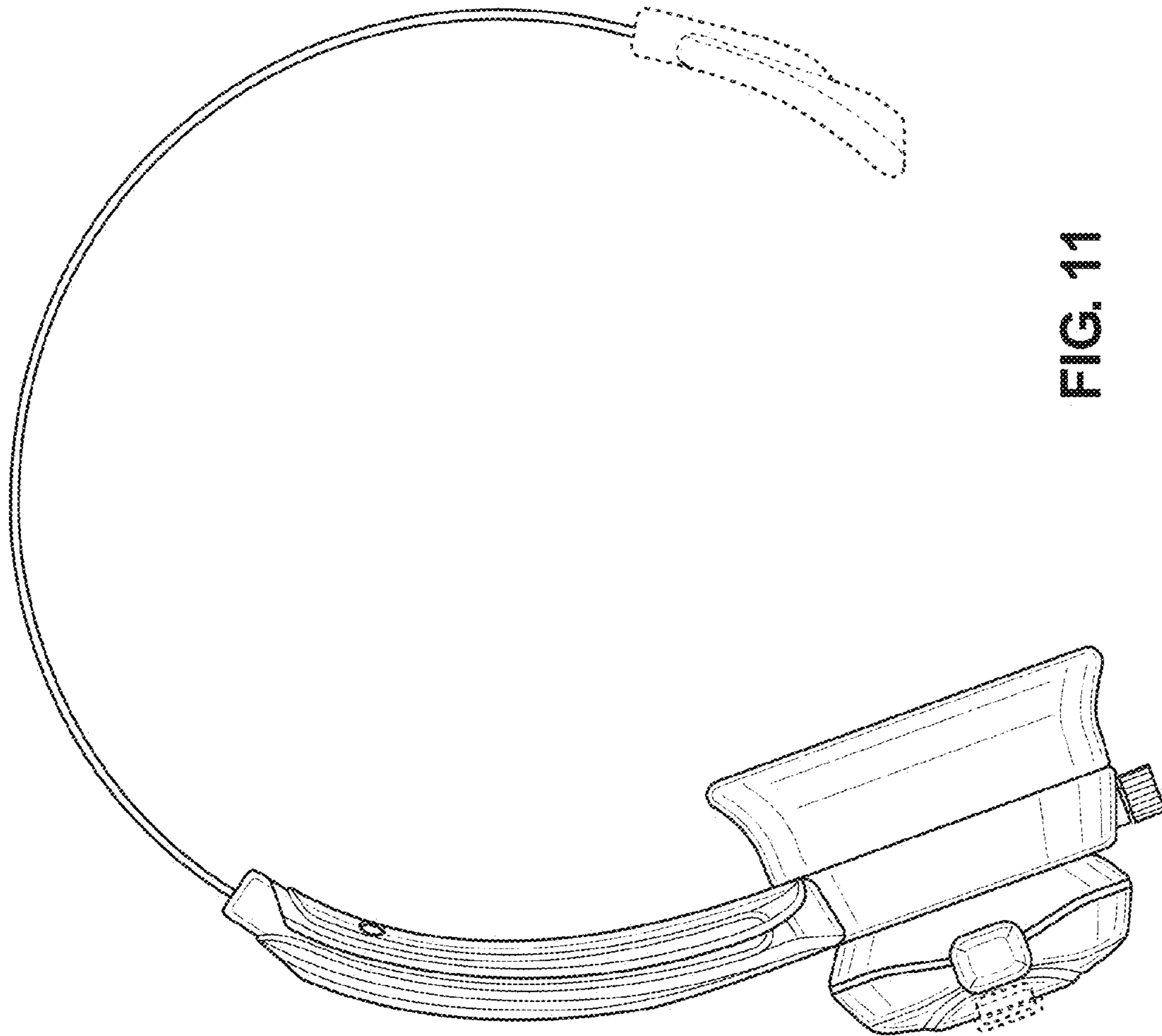


FIG. 11

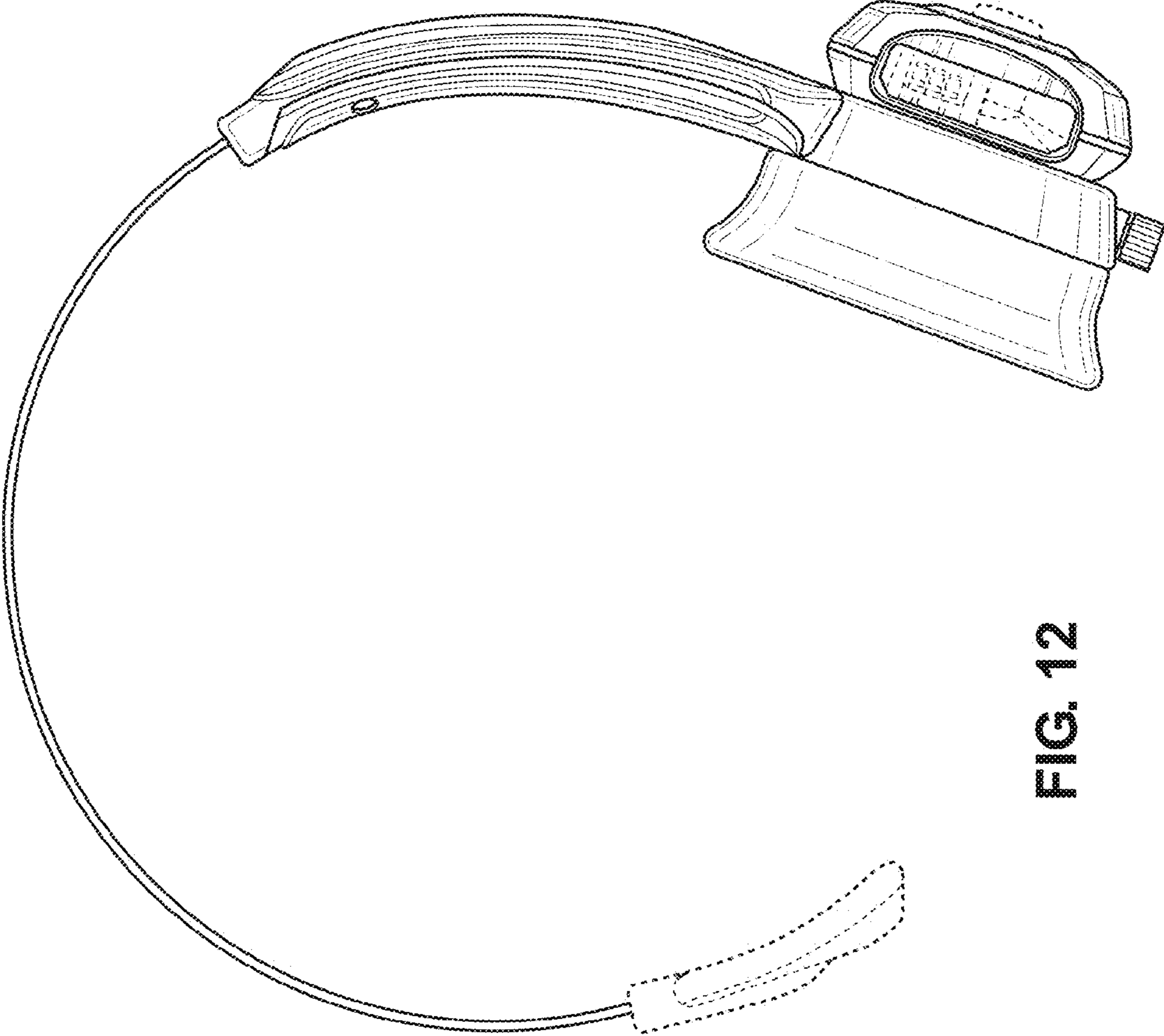


FIG. 12

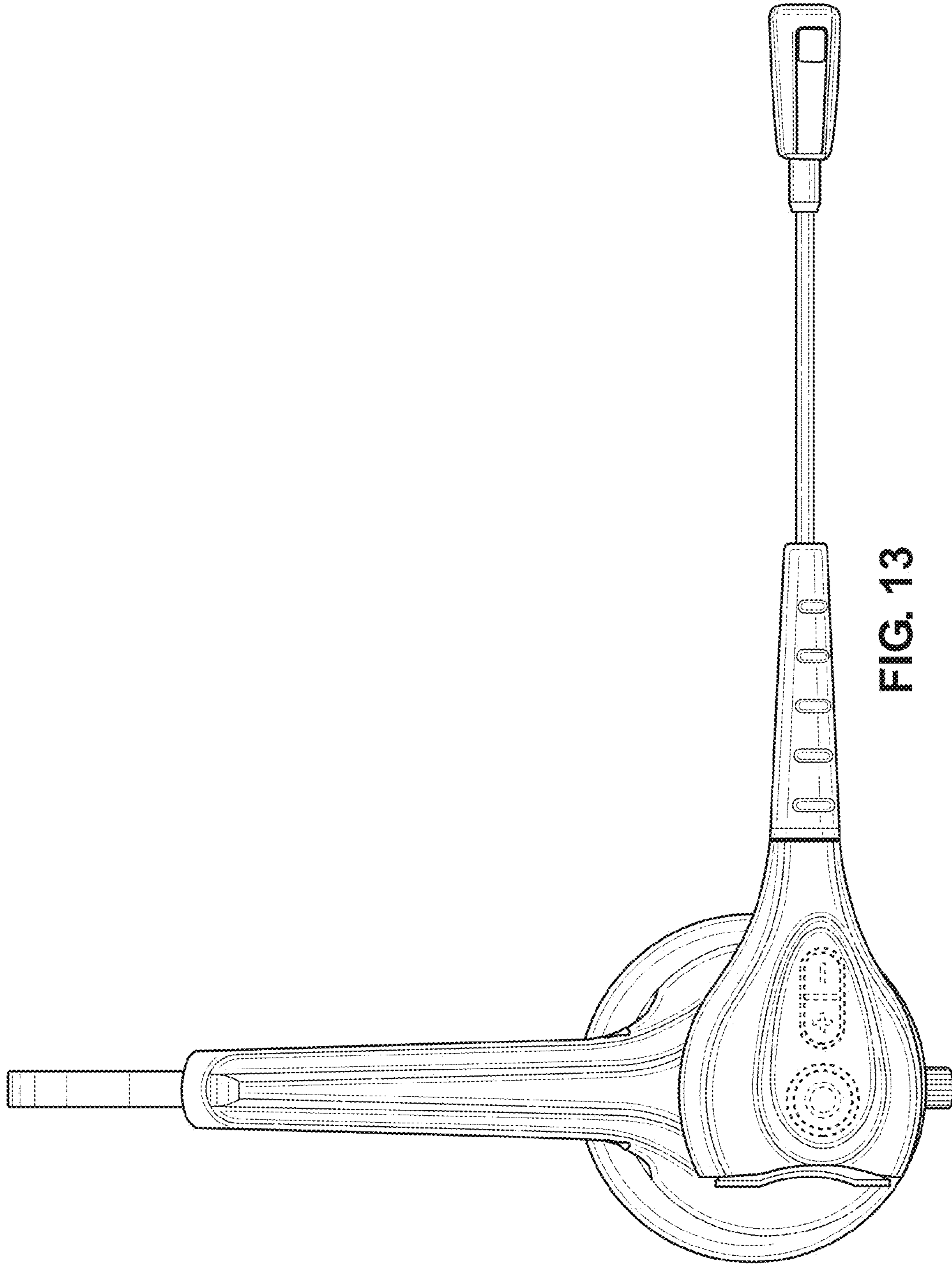


FIG. 13

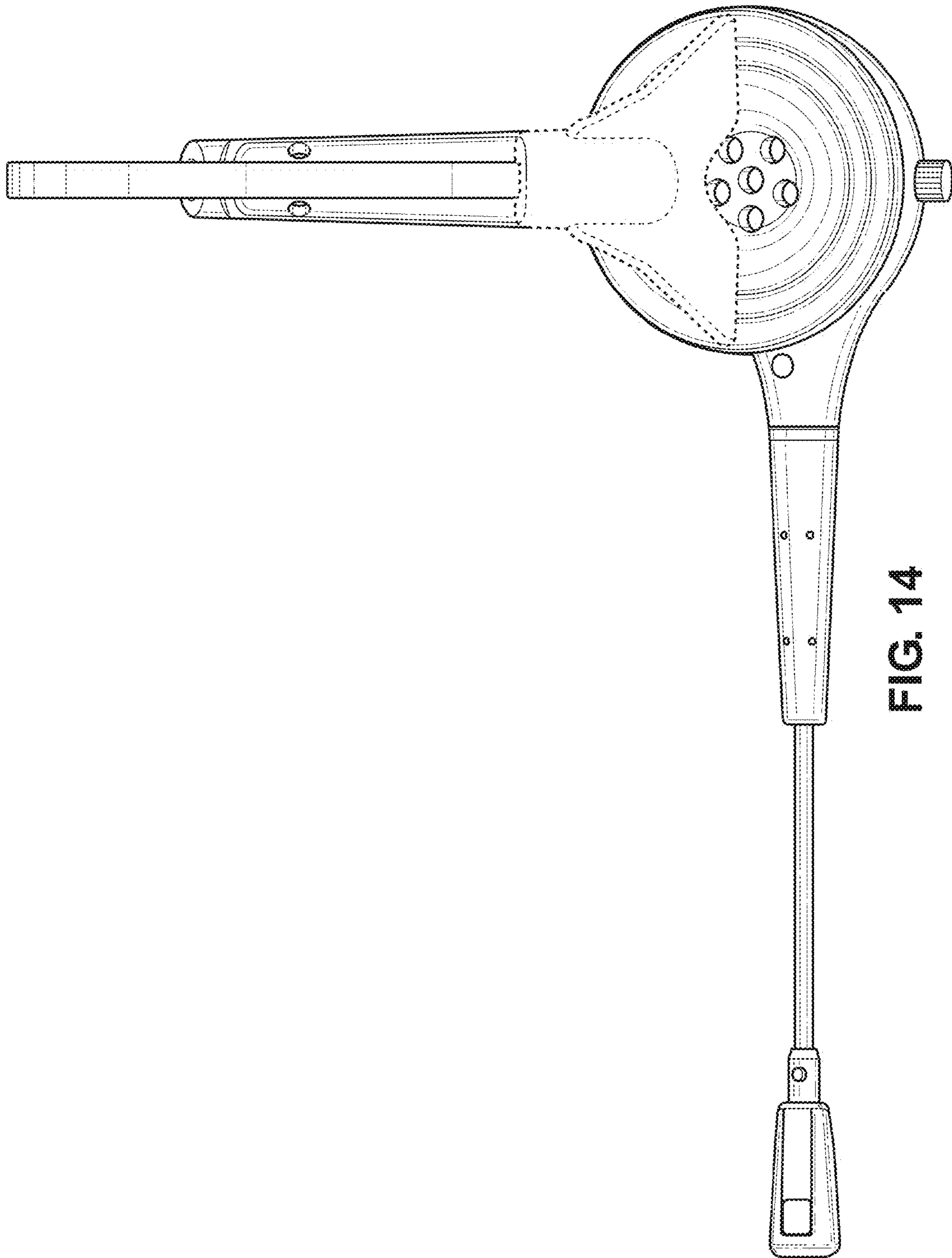


FIG. 14

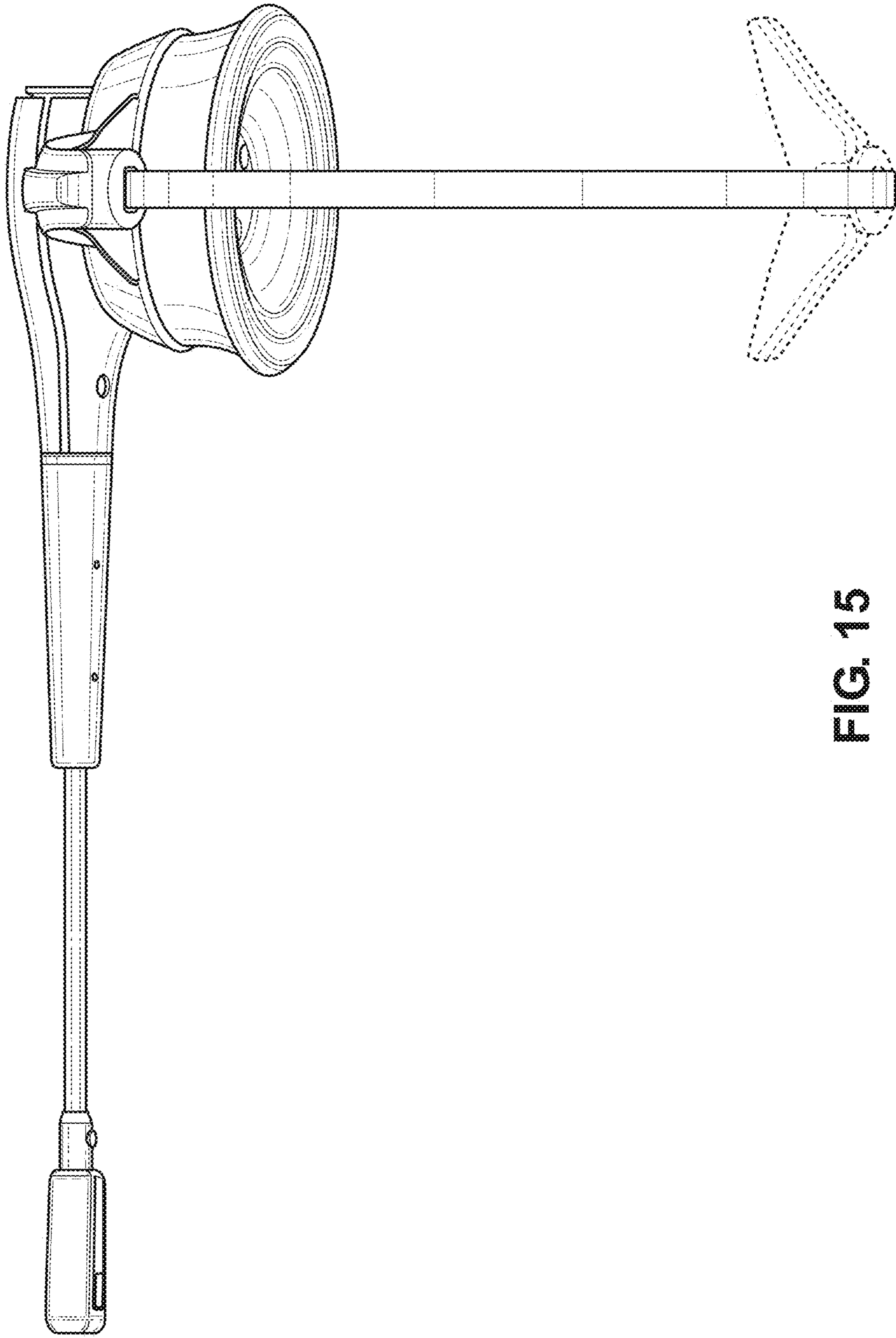


FIG. 15

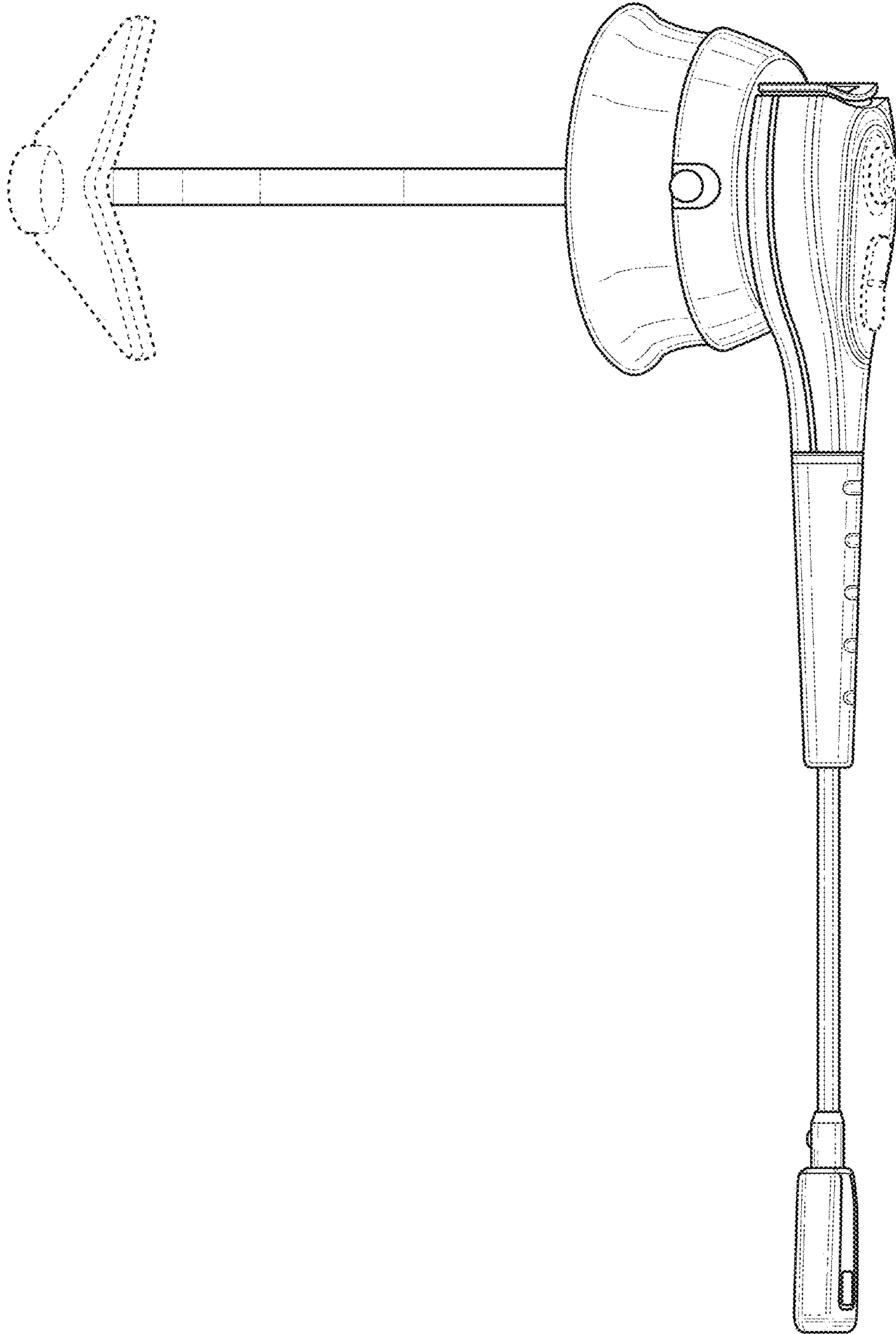


FIG. 16