



US00D760686S

(12) **United States Design Patent**
Seong et al.

(10) **Patent No.:** **US D760,686 S**
(45) **Date of Patent:** **** Jul. 5, 2016**

(54) **SPEAKER**

(71) Applicant: **Samsung Electronics Co., Ltd.**,
Suwon-si (KR)
(72) Inventors: **Bo-Kyung Seong**, Daejeon-Si (KR);
Sung-II Bang, Seoul (KR); **Bum-Ho**
Chun, Yongin-si (KR)

(73) Assignee: **Samsung Electronics Co., Ltd.**,
Suwon-si (KR)

(**) Term: **14 Years**

(21) Appl. No.: **29/511,494**

(22) Filed: **Dec. 11, 2014**

(30) **Foreign Application Priority Data**

Jun. 18, 2014 (KR) 30-2014-0029819

(51) **LOC (10) Cl.** **14-01**

(52) **U.S. Cl.**
USPC **D14/204**

(58) **Field of Classification Search**
USPC D14/172, 194, 204, 207, 209.1,
D14/210–215, 221, 222, 239; 181/148, 152,
181/153, 157, 192; 381/300–303, 332, 333,
381/336, 345, 361, 386–388
CPC H04M 1/03; H04M 1/035; H04R 1/02;
H04R 1/06; H04R 1/021; H04R 1/025;
H04R 1/026; H04R 1/105; H04R 1/323;
H04R 1/345; H04R 1/403; H04R 1/2803;
H04R 1/2834; H04R 3/12; H04R 5/02;
H04R 2203/12

See application file for complete search history.

(56) **References Cited**

U.S. PATENT DOCUMENTS

D348,659	S	*	7/1994	Miller	D14/461
D589,519	S	*	3/2009	Smith	D14/461
D639,760	S	*	6/2011	Tierney	D14/126
D660,284	S	*	5/2012	Carbone	D14/214
D669,883	S	*	10/2012	Cheng	D14/214
D681,607	S	*	5/2013	Nishii	D14/214
D688,231	S	*	8/2013	Nishii	D14/214

* cited by examiner

Primary Examiner — Derrick Holland

Assistant Examiner — Janice Lim

(74) *Attorney, Agent, or Firm* — NSIP Law

(57) **CLAIM**

The ornamental design for a speaker, as shown and described.

DESCRIPTION

FIG. 1 is a front perspective view of a speaker showing our new design;

FIG. 2 is a front view thereof;

FIG. 3 is a rear view thereof;

FIG. 4 is a left-side view thereof;

FIG. 5 is a right-side view thereof;

FIG. 6 is a top pan view thereof;

FIG. 7 is a bottom plan view thereof;

FIG. 8 is a rear perspective view thereof; and,

FIG. 9 is a partially enlarged front perspective view thereof taken from FIG. 1.

The broken lines in the figures show portions of the speaker which form no part of the claimed design.

The dot-dash broken line portions of FIGS. 1 and 9 are included to show a partially enlarged view only and form no part of the claimed design.

1 Claim, 6 Drawing Sheets

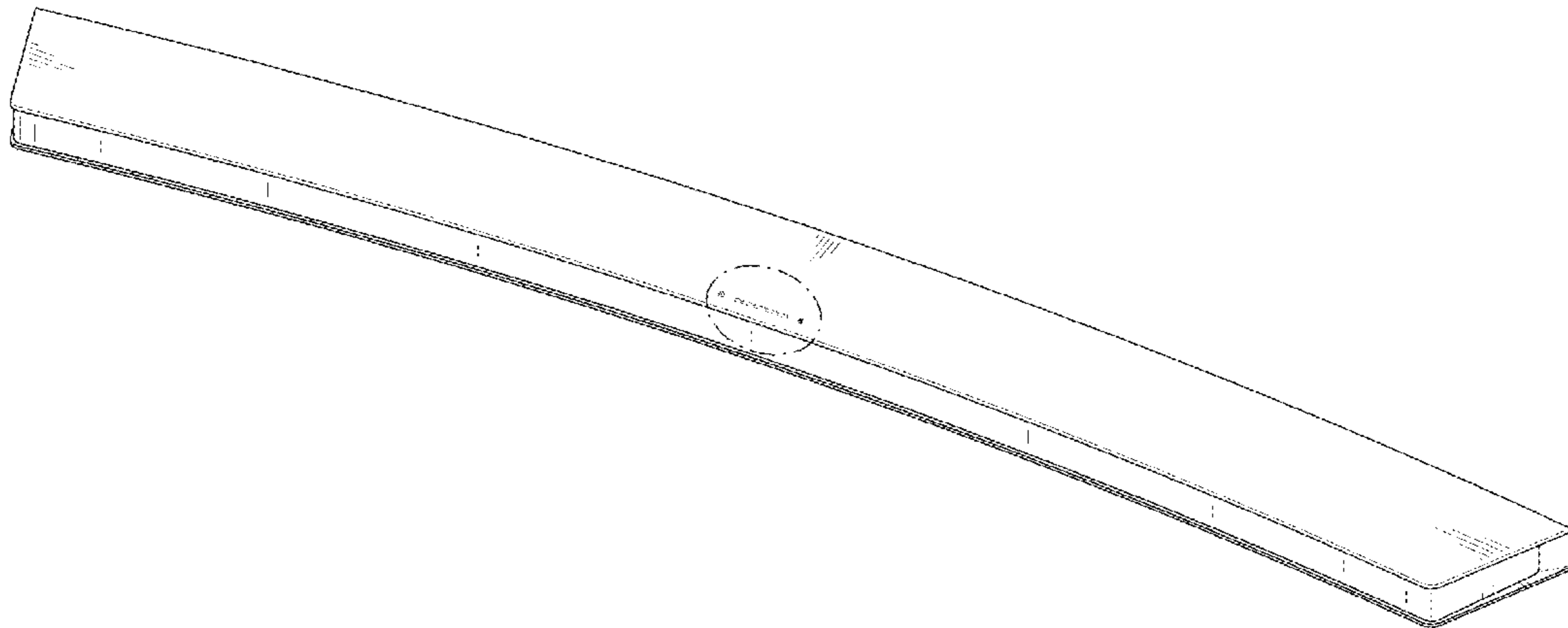


FIG. 1

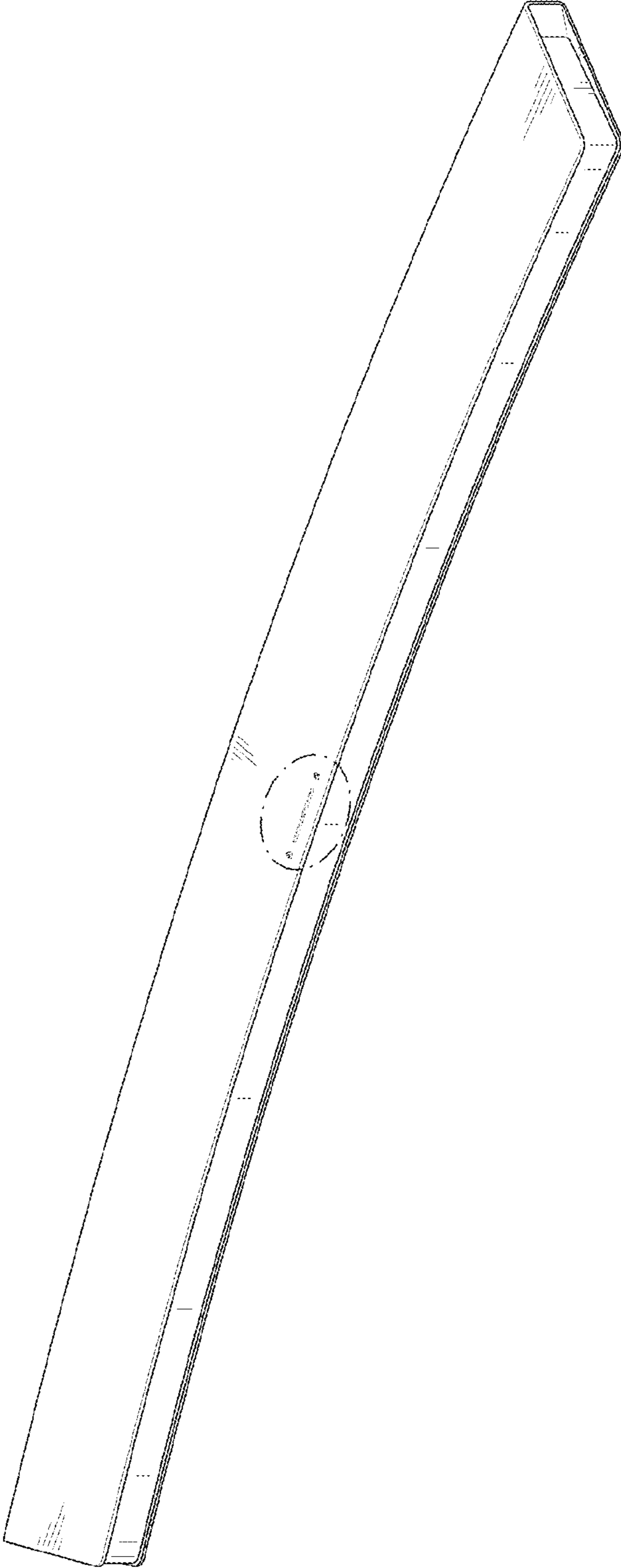


FIG. 2



FIG. 3



FIG. 4



FIG. 5



FIG. 6

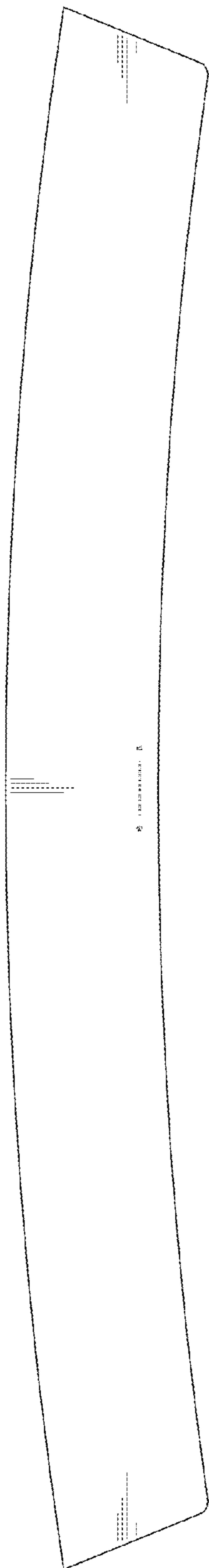


FIG. 7

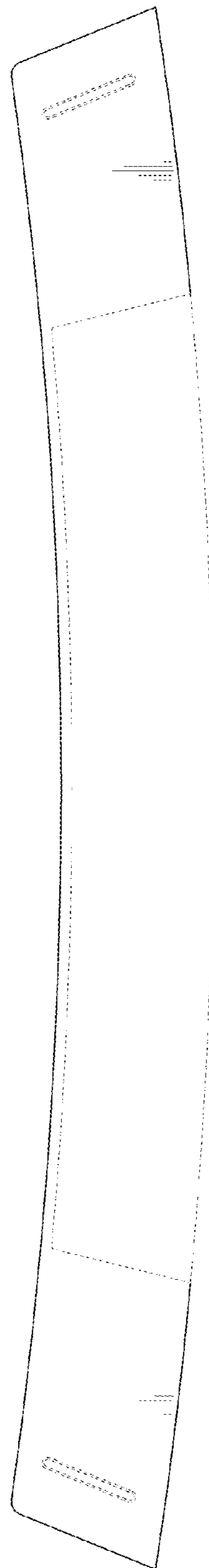


FIG. 8

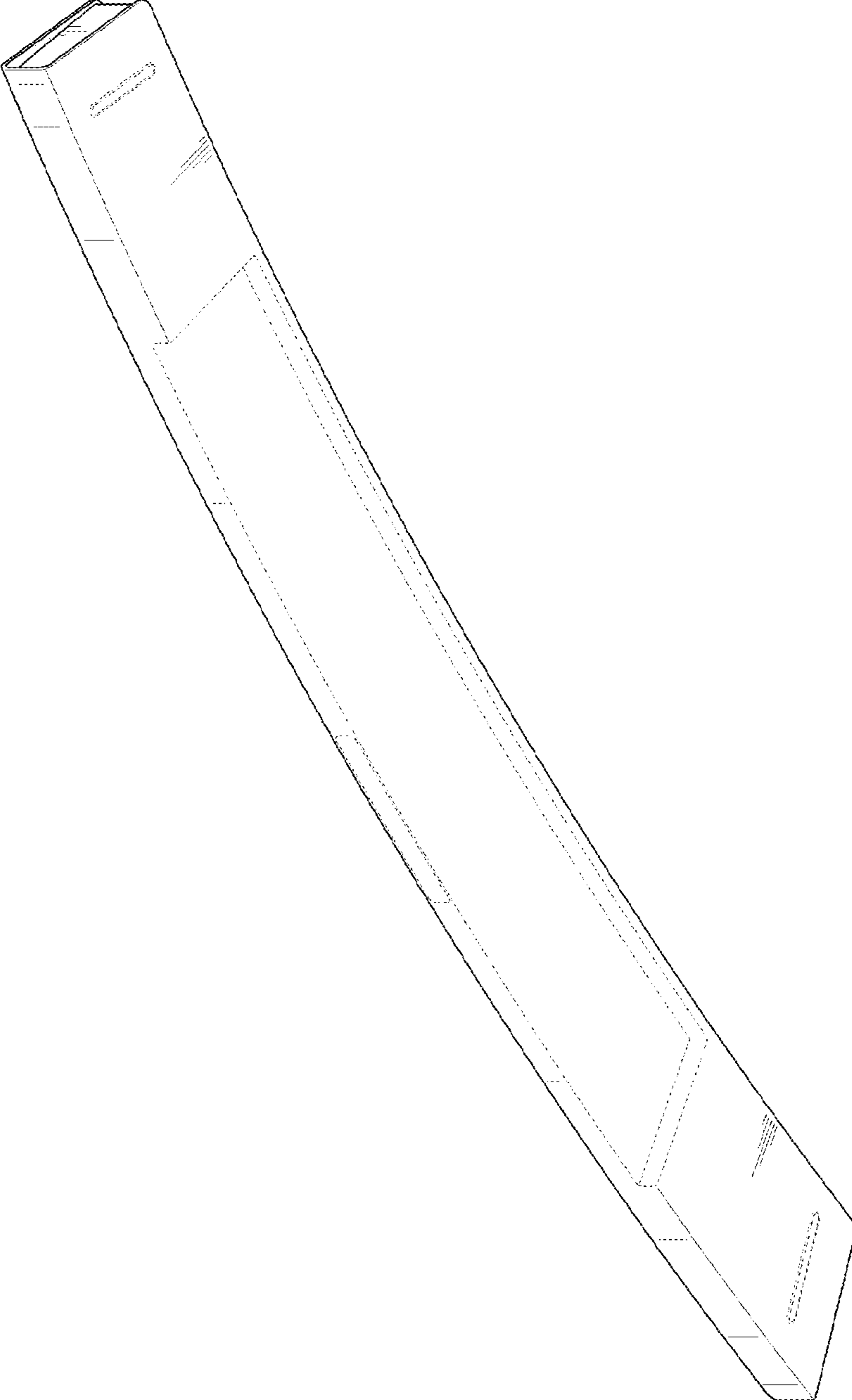


FIG. 9

