



US00D760683S

(12) **United States Design Patent**  
**Larsen et al.**

(10) **Patent No.:** **US D760,683 S**  
(45) **Date of Patent:** **\*\* Jul. 5, 2016**

(54) **COMBINED LOUDSPEAKER AND  
SPEAKERPHONE**

(71) Applicant: **GN Netcom A/S**, Ballerup (DK)

(72) Inventors: **Steffen MØlgaard Larsen**, Copenhagen (DK); **Thomas Lønner**, Copenhagen (DK); **Rasmus Trudslev Pedersen**, Copenhagen (DK)

(73) Assignee: **GN Netcom A/S** (DK)

(\*\*) Term: **14 Years**

(21) Appl. No.: **29/489,748**

(22) Filed: **May 2, 2014**

(30) **Foreign Application Priority Data**

Nov. 4, 2013 (EM) ..... 002337709-0001

(51) **LOC (10) Cl.** ..... **14-01**

(52) **U.S. Cl.**  
USPC ..... **D14/204**

(58) **Field of Classification Search**  
USPC ..... D3/20, 200, 201, 273, 276;  
D7/601-603, 615, 629, 630; D9/414,  
D9/432, 443; D14/168, 189, 196, 203.1,  
D14/203.2, 204, 207, 210, 212, 214, 220,  
D14/221, 314, 348, 365; 181/143, 144, 147,  
181/148, 150, 153, 157, 198, 199;  
381/300-302, 336, 345, 361-364,  
381/386-388; 369/6-11  
CPC ..... H04R 1/02; H04R 1/021; H04R 1/023;  
H04R 5/00; H04R 9/06; H04R 2420/07  
See application file for complete search history.

(56) **References Cited**

**U.S. PATENT DOCUMENTS**

D148,297 S \* 1/1948 Hardell ..... 312/7.1  
D379,627 S \* 6/1997 Takahashi ..... D14/171

D397,115 S \* 8/1998 Gremchuck ..... D14/214  
D531,619 S \* 11/2006 Chau ..... D14/217  
D536,692 S \* 2/2007 Alwicker ..... D14/188  
D578,105 S \* 10/2008 Komiyama ..... D14/214  
D578,107 S \* 10/2008 Shimizu ..... D14/214  
D579,952 S \* 11/2008 Yamada ..... D14/496  
D586,327 S \* 2/2009 Shimizu ..... D14/188  
D592,494 S \* 5/2009 Wichowski ..... D9/414

**FOREIGN PATENT DOCUMENTS**

EM 002105692-0001 \* 10/2012

**OTHER PUBLICATIONS**

Jabra Solemate speaker, announced Aug. 2012, [online], site visited Aug. 13, 2015. Available from Internet, <URL: http://www.pcmag.com>.\*

\* cited by examiner

*Primary Examiner* — Derrick Holland

*Assistant Examiner* — Janice Lim

(74) *Attorney, Agent, or Firm* — Altera Law Group, LLC

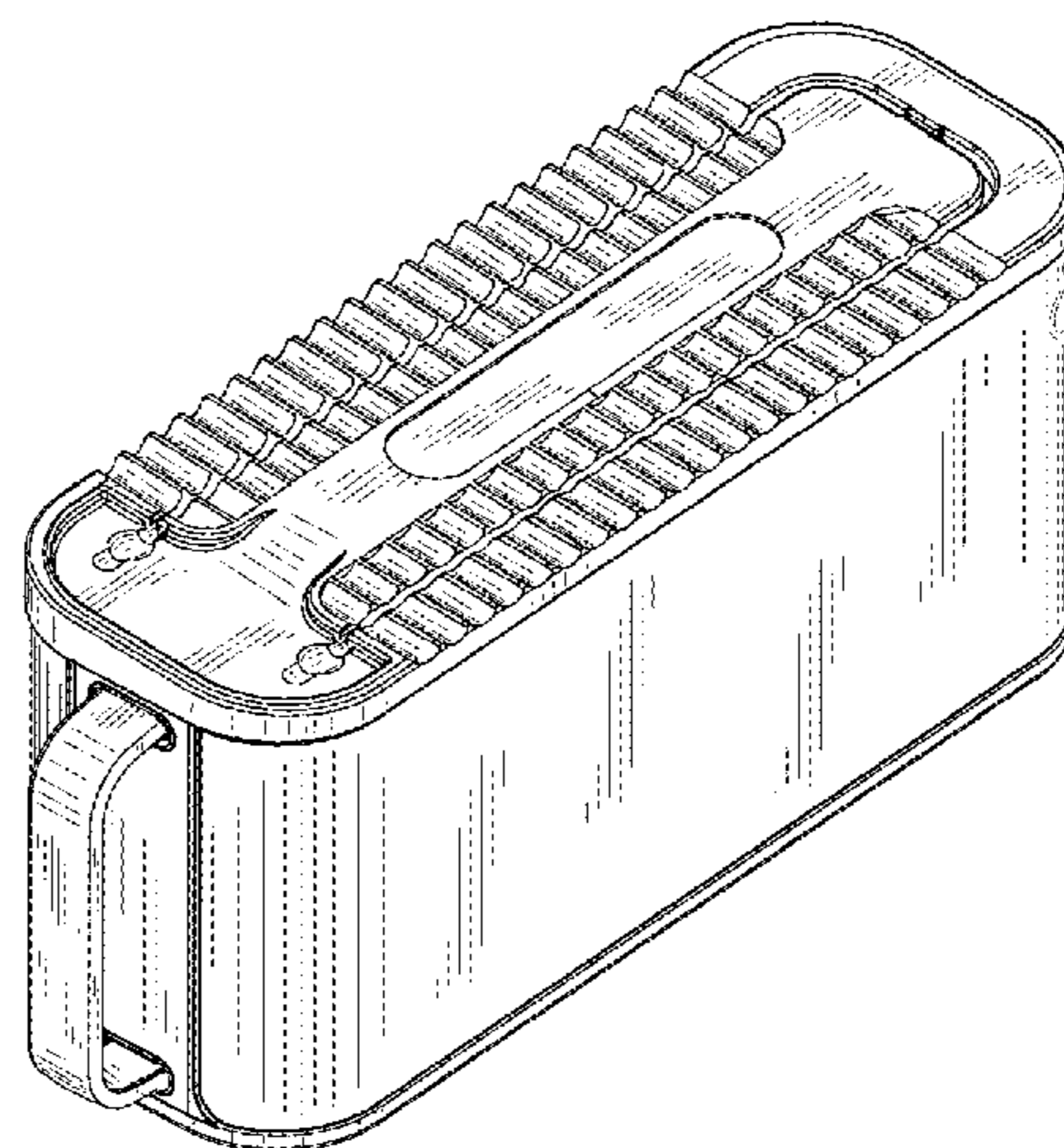
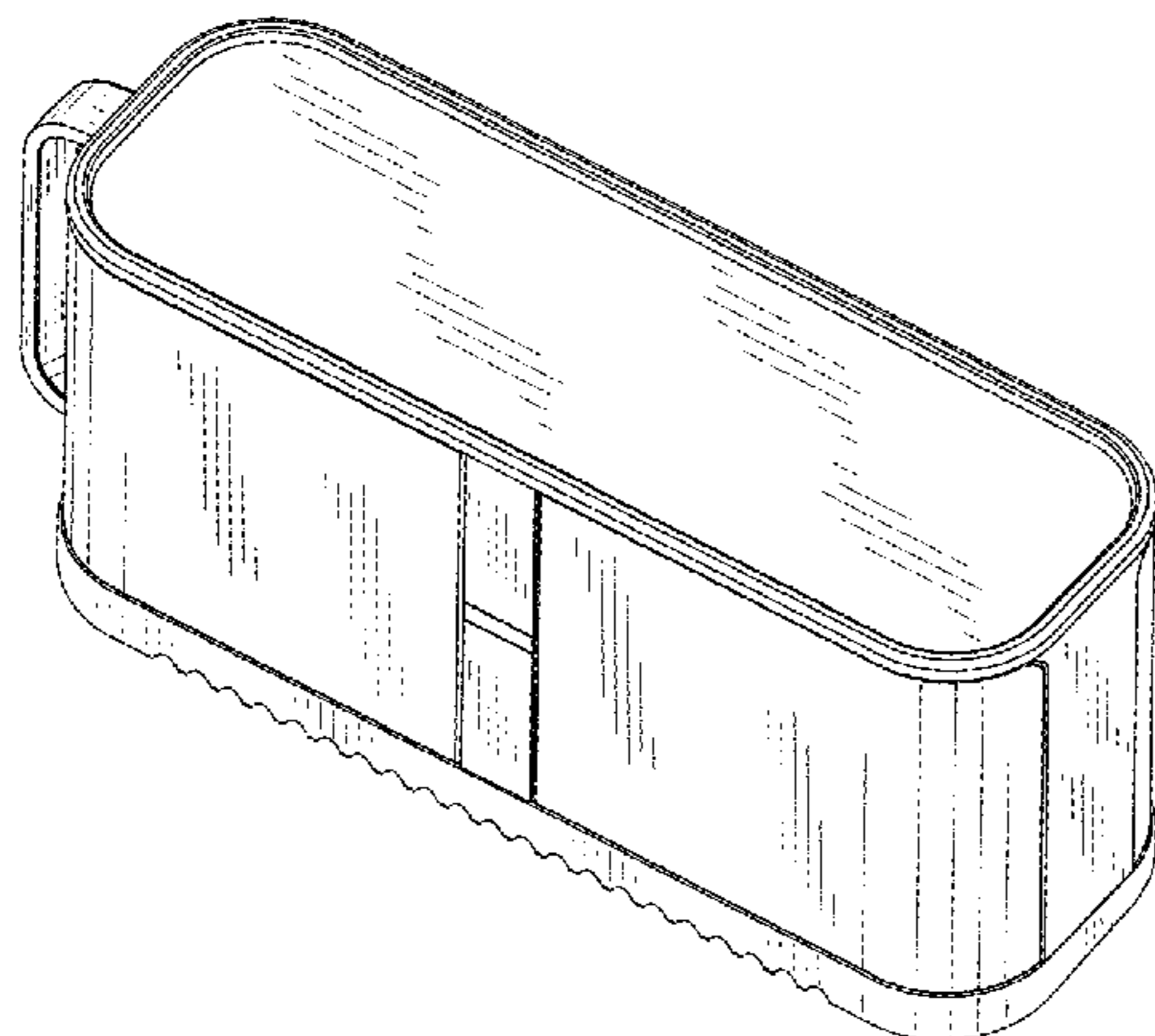
(57) **CLAIM**

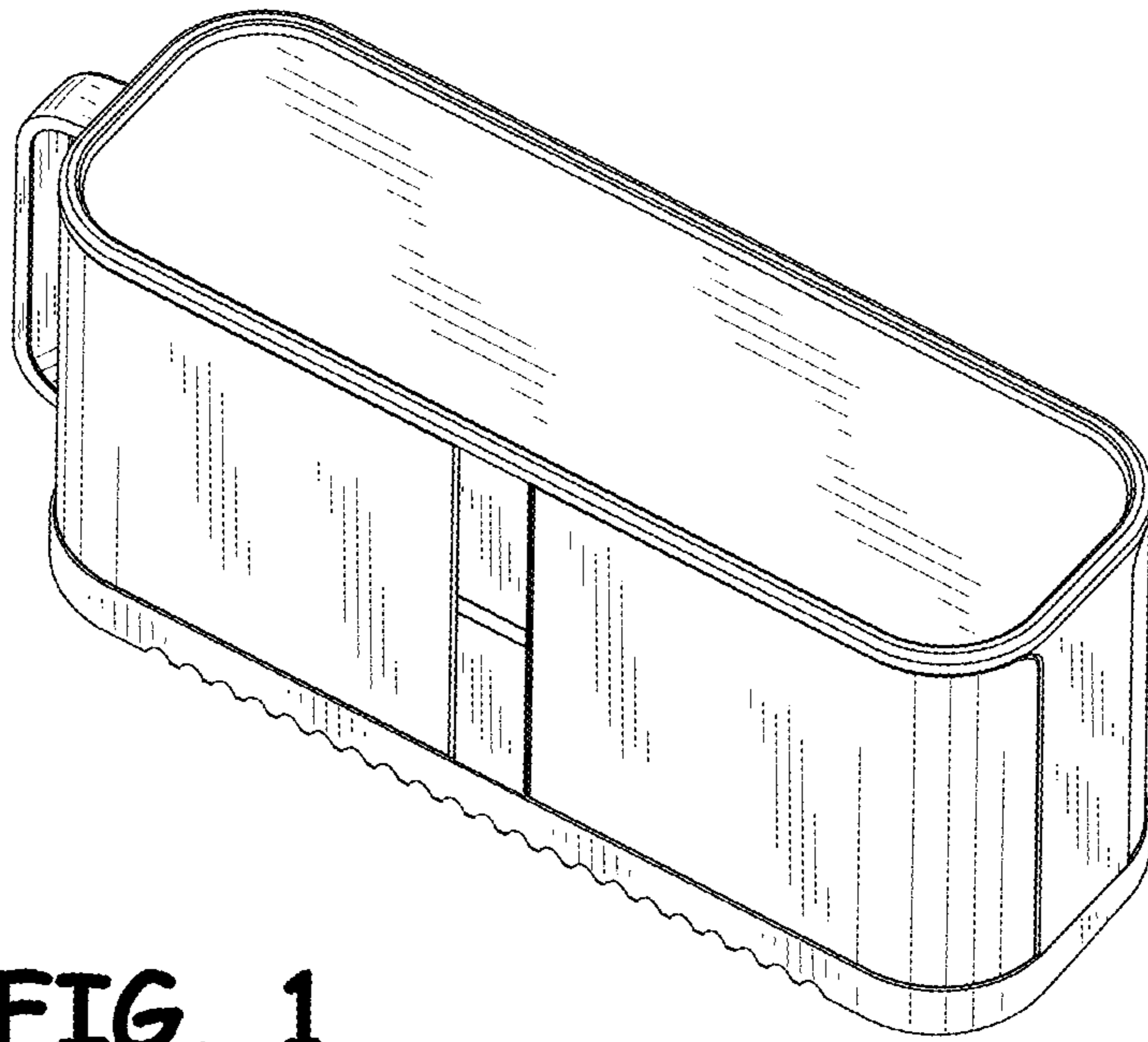
The ornamental design for a combined loudspeaker and speakerphone unit, as shown and described.

**DESCRIPTION**

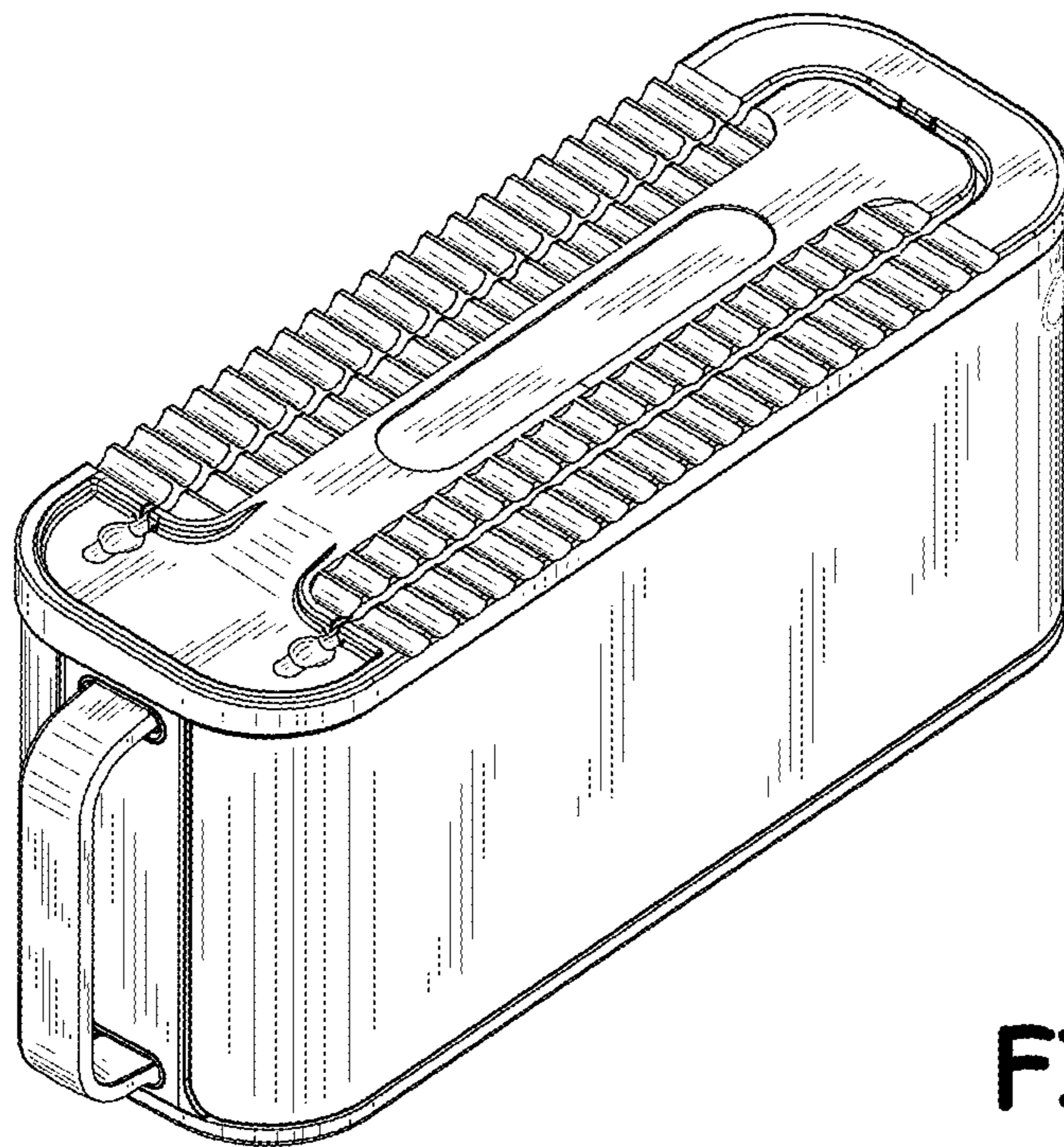
FIG. 1 is a top perspective view of a combined loudspeaker and speakerphone, showing our new design.  
FIG. 2 is a bottom perspective view thereof.  
FIG. 3 is a front elevational view thereof.  
FIG. 4 is a back elevational view thereof.  
FIG. 5 is a side elevational view thereof.  
FIG. 6 is an opposite side elevational view thereof.  
FIG. 7 is a top plan view thereof; and,  
FIG. 8 is a bottom plan view thereof.  
The broken line portions of FIGS. 2, 4 and 6 are included to show unclaimed subject matter only and form no part of the claimed design.

**1 Claim, 3 Drawing Sheets**





**FIG. 1**



**FIG. 2**

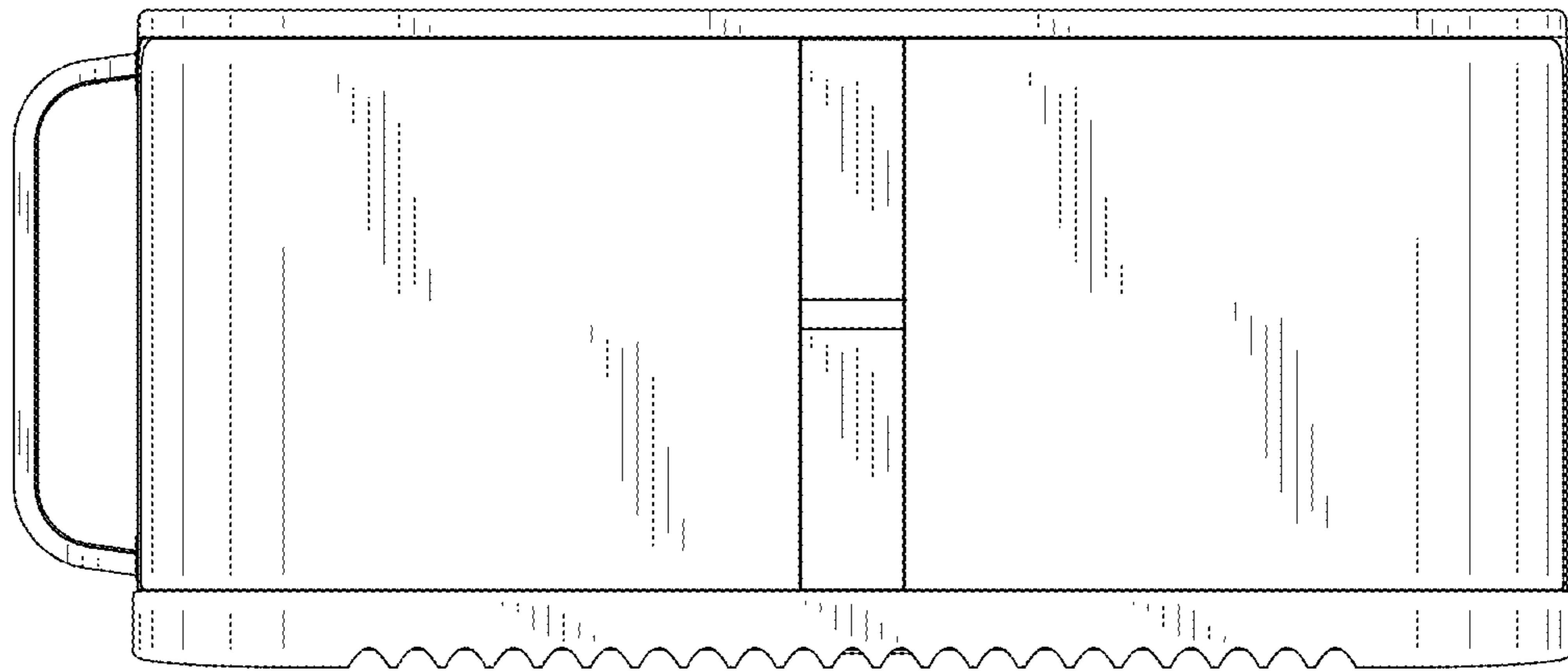


FIG. 3

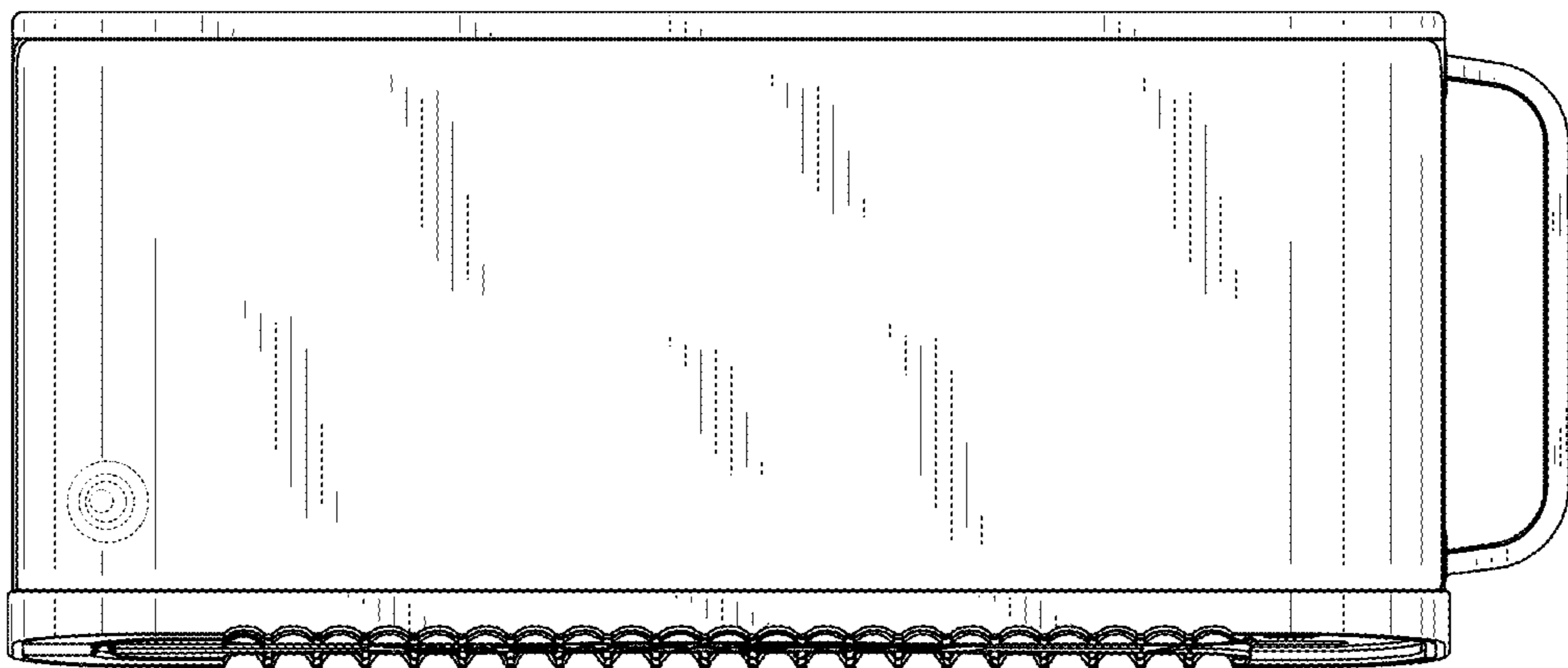
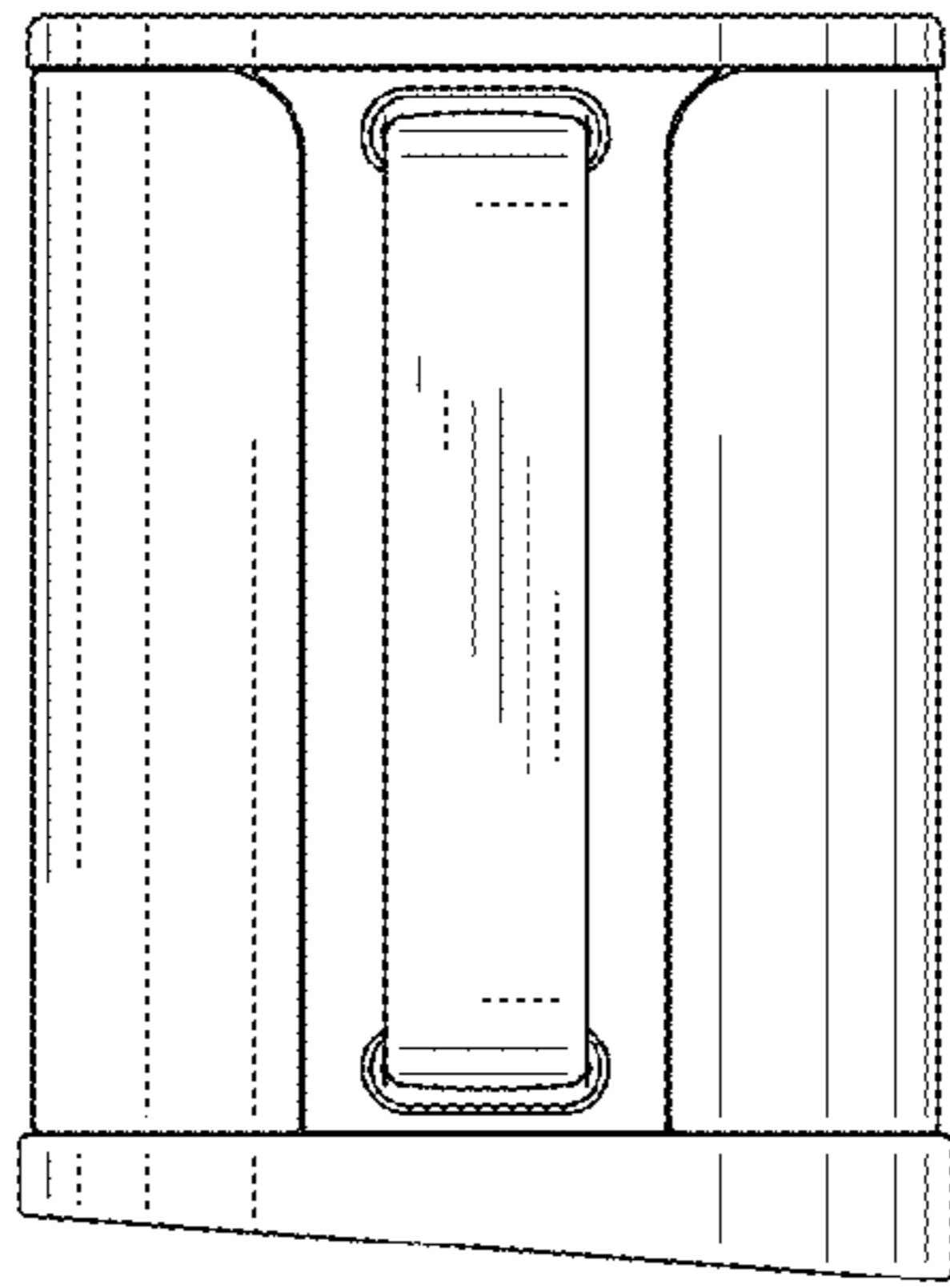
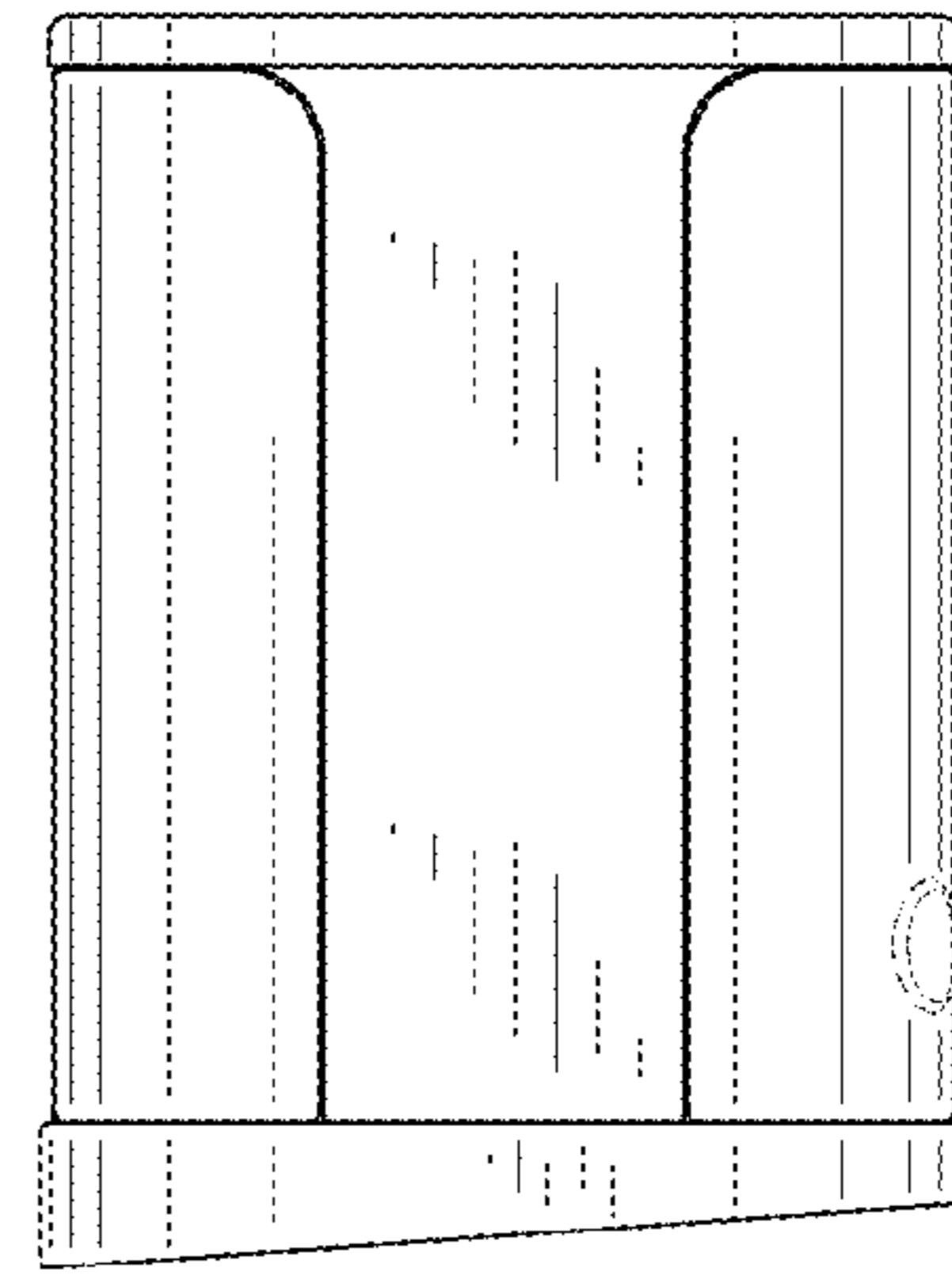


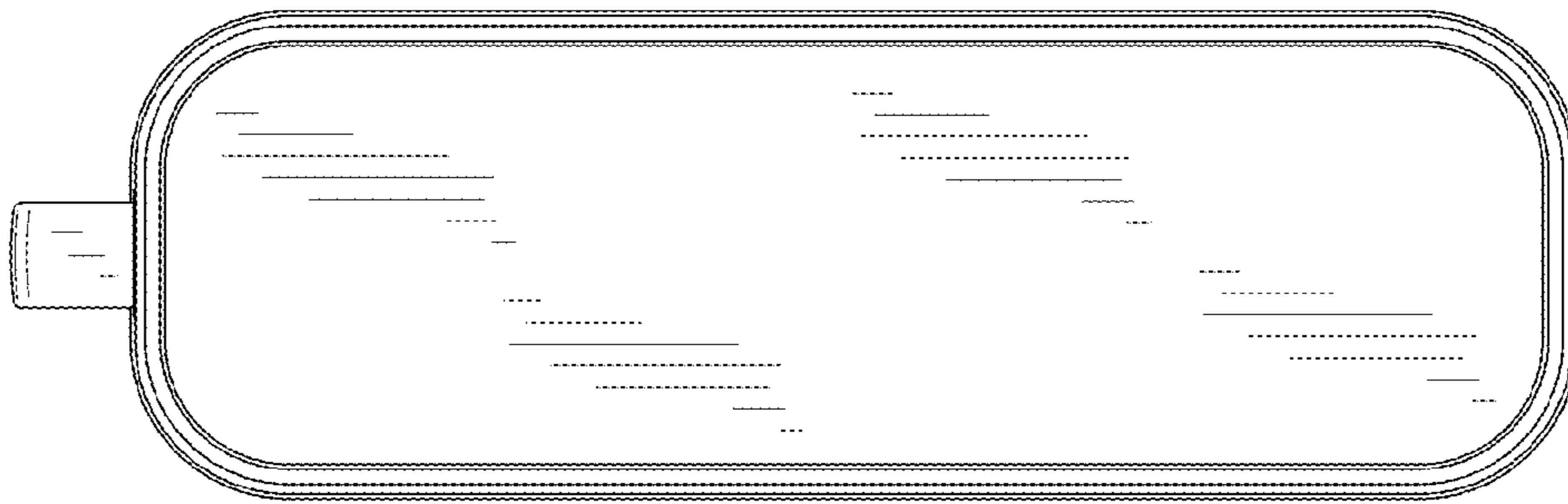
FIG. 4



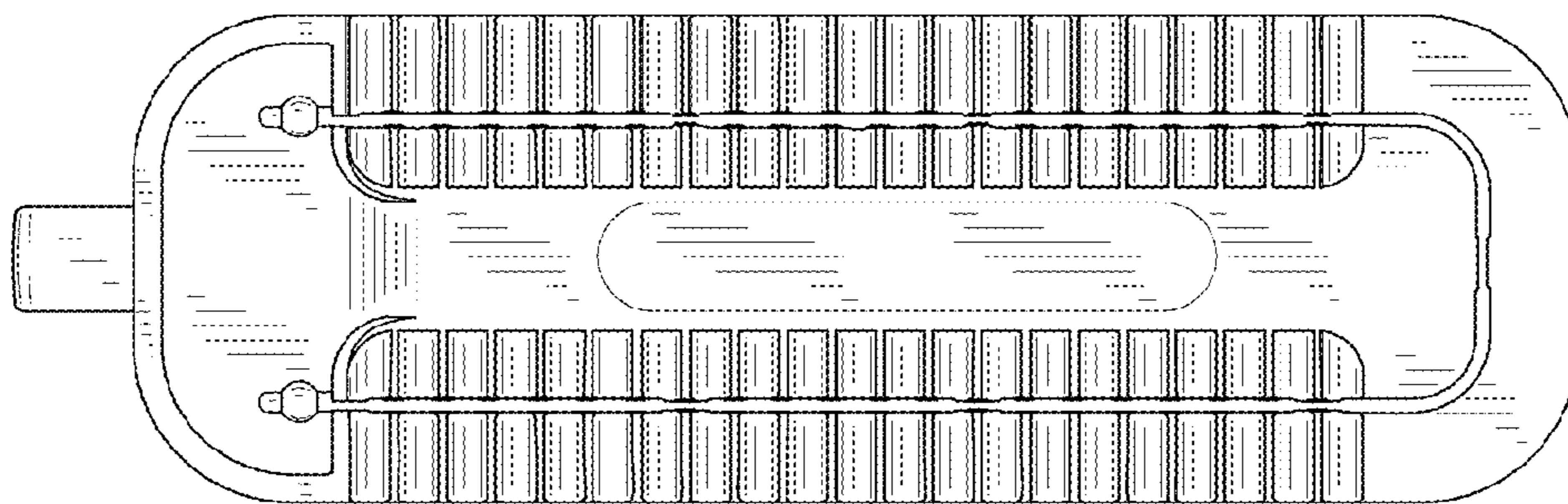
**FIG. 5**



**FIG. 6**



**FIG. 7**



**FIG. 8**