



US00D760677S

(12) **United States Design Patent**
Tsushima

(10) **Patent No.:** **US D760,677 S**

(45) **Date of Patent:** **** Jul. 5, 2016**

(54) **DISPLAY**

(71) Applicant: **NEC DISPLAY SOLUTIONS, LTD.**,
Minato-ku, Tokyo (JP)

(72) Inventor: **Yutaka Tsushima**, Minato-ku (JP)

(73) Assignee: **NEC DISPLAY SOLUTIONS, LTD.**,
Tokyo (JP)

(**) Term: **14 Years**

(21) Appl. No.: **29/490,591**

(22) Filed: **May 12, 2014**

(30) **Foreign Application Priority Data**

Nov. 13, 2013 (JP) 2013-026587

(51) **LOC (10) Cl.** **14-03**

(52) **U.S. Cl.**
USPC **D14/126**

(58) **Field of Classification Search**

USPC D14/125-134, 239, 371, 136, 374-377,
D14/440, 450, 448, 336, 342, 159; 312/7.2;
348/836, 838, 180, 184, 325, 739;
248/917-924, 465; 345/104, 133, 156,
345/168, 87, 173; D21/329, 515, 577, 622,
D21/333, 433, 448, 452, 450, 331, 505;
D10/15, 26; 446/484, 175, 356;
D6/477, 479, 300; D20/10, 19, 39
CPC ... G06F 1/1601; G06F 1/1643; H05K 5/0004;
H05K 5/0017; H05K 5/02; H05K 5/0217;
H04N 13/0459
See application file for complete search history.

(56) **References Cited**

U.S. PATENT DOCUMENTS

D458,238 S * 6/2002 Niitsu D14/126
6,837,469 B2 * 1/2005 Wu F16M 11/06
248/278.1

(Continued)

Primary Examiner — Raphael Barkai

(74) *Attorney, Agent, or Firm* — Sughrue Mion, PLLC

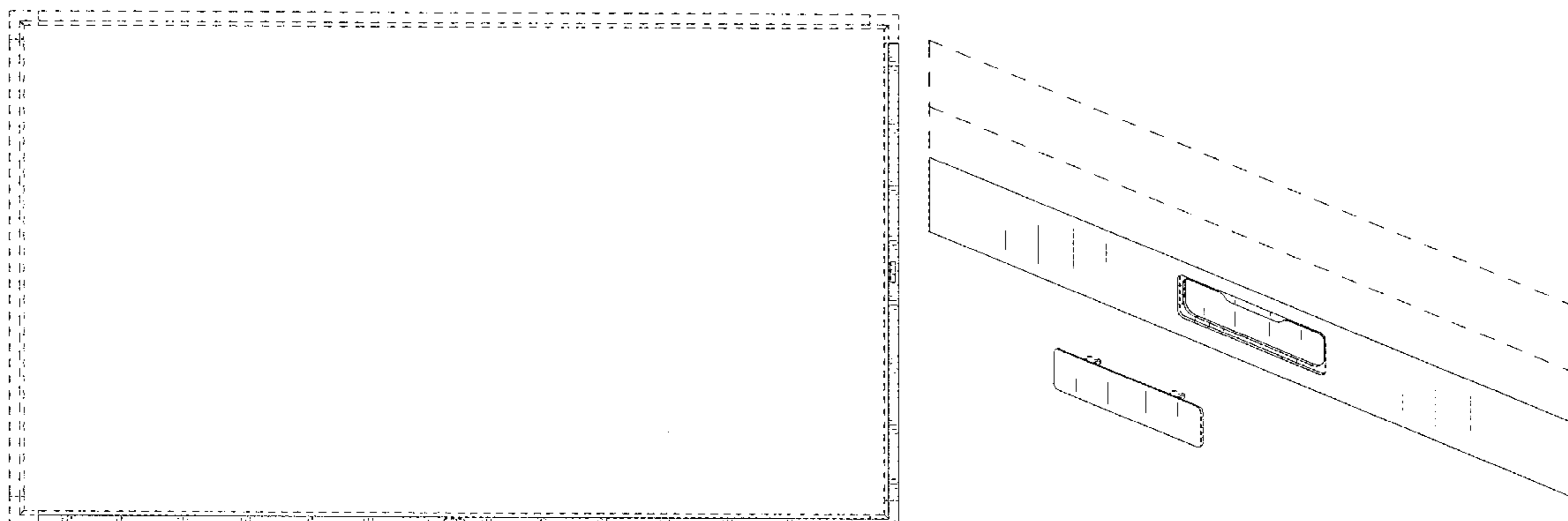
(57) **CLAIM**

The ornamental design for a display, as shown and described.

DESCRIPTION

FIG. 1 is a reduced scale front, right side, top perspective view of a display showing my new design;
FIG. 2 is a reduced scale front, left side, top perspective view thereof;
FIG. 3 is a front elevational view thereof;
FIG. 4 is a rear elevational view thereof;
FIG. 5 is a left side view thereof;
FIG. 6 is a right side view thereof;
FIG. 7 is a top plan view thereof;
FIG. 8 is a bottom plan view thereof;
FIG. 9 is a reduced scale perspective view thereof, showing a state in which plates are separated;
FIG. 10 is a partial enlarged view thereof, taken along line 10-10'-10" of FIG. 9 and showing a state in which one of the plates is separated;
FIG. 11 is a partial enlarged view thereof, taken along line 11-11'-11" of FIG. 9 and showing a state in which one of the plates is separated;
FIG. 12 is an enlarged perspective view of one of the plates;
FIG. 13 is an enlarged rear perspective view of one of the plates;
FIG. 14 is an enlarged front elevational view of one of the plates;
FIG. 15 is an enlarged rear elevational view of one of the plates;
FIG. 16 is an enlarged left side view of one of the plates;
FIG. 17 is an enlarged right side view of one of the plates;
FIG. 18 is an enlarged top plan view of one of the plates;
FIG. 19 is an enlarged bottom plan view of one of the plates;
FIG. 20 is a reduced scale perspective view thereof, showing a state in which the plates are removed; and,
FIG. 21 is a front elevational view thereof, showing a state in which the plates are removed.
The portions in broken lines are shown for illustrative purposes only and form no part of the claimed design. The elements are shown separately for ease of illustration only.

1 Claim, 15 Drawing Sheets



(56)

References Cited

U.S. PATENT DOCUMENTS

D552,569 S *	10/2007	Kita	D14/126	D708,657 S *	7/2014	Gustaveson	D16/250
D591,286 S *	4/2009	Chen	D14/337	D718,731 S *	12/2014	Lee	D14/126
D628,199 S *	11/2010	Yukikado	D14/371	D740,773 S *	10/2015	Bang	D14/126
D635,976 S *	4/2011	Lee	D14/374	2003/0132360 A1 *	7/2003	Ju	F16M 11/08
7,973,856 B2 *	7/2011	Lee	G06F 1/1616					248/371
				348/375	2010/0102979 A1 *	4/2010	Huang	G06F 1/1686
D657,787 S *	4/2012	Fletcher	D14/300					340/686.1
D669,112 S *	10/2012	Gustaveson	D16/208	2011/0182029 A1 *	7/2011	Wu	G06F 1/1686
8,471,956 B2 *	6/2013	Fortmann	G06F 1/1613					361/679.55
				348/373	2015/0029390 A1 *	1/2015	Kim	H04N 5/2257
									348/373

* cited by examiner

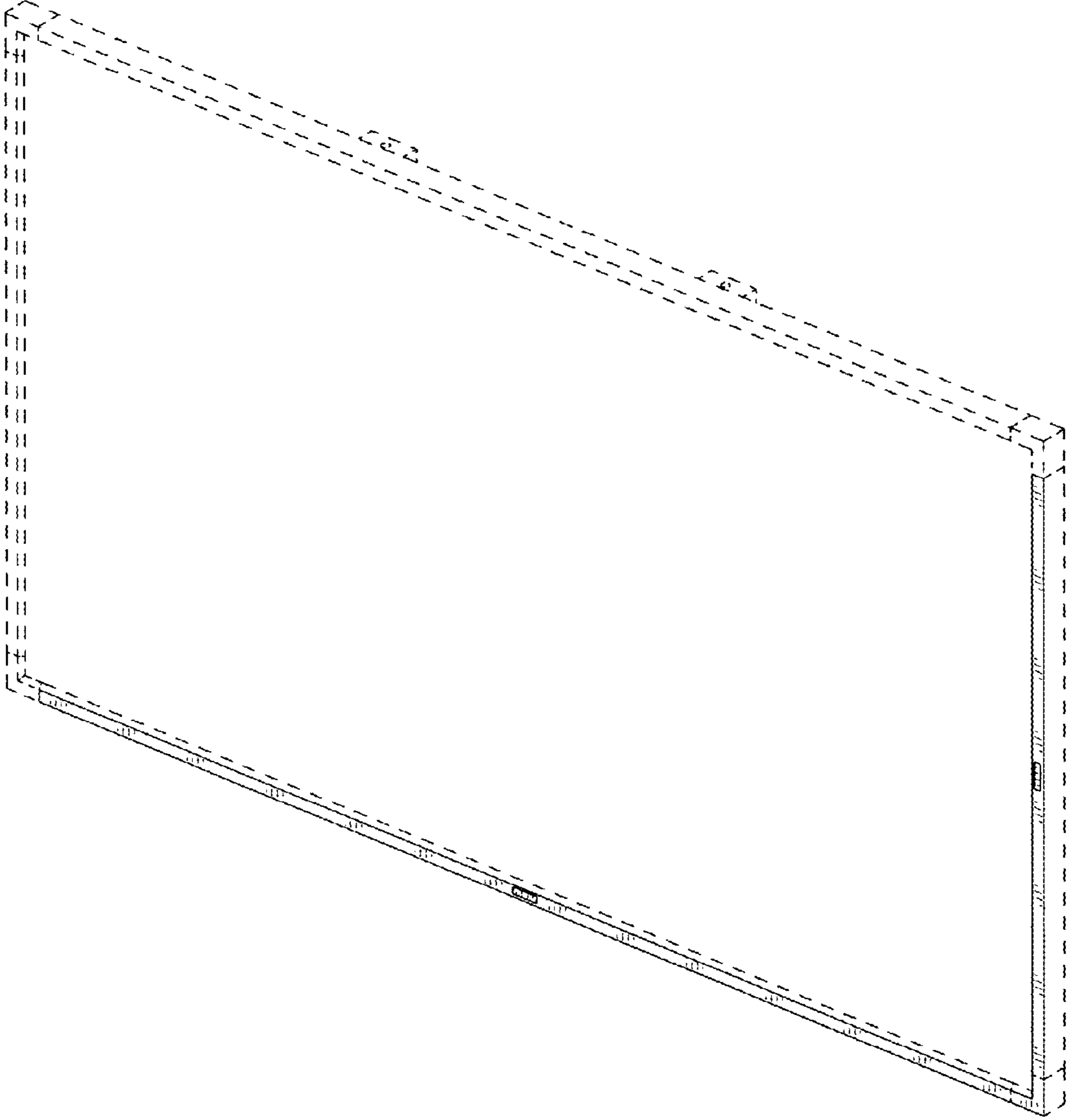


FIG. 1

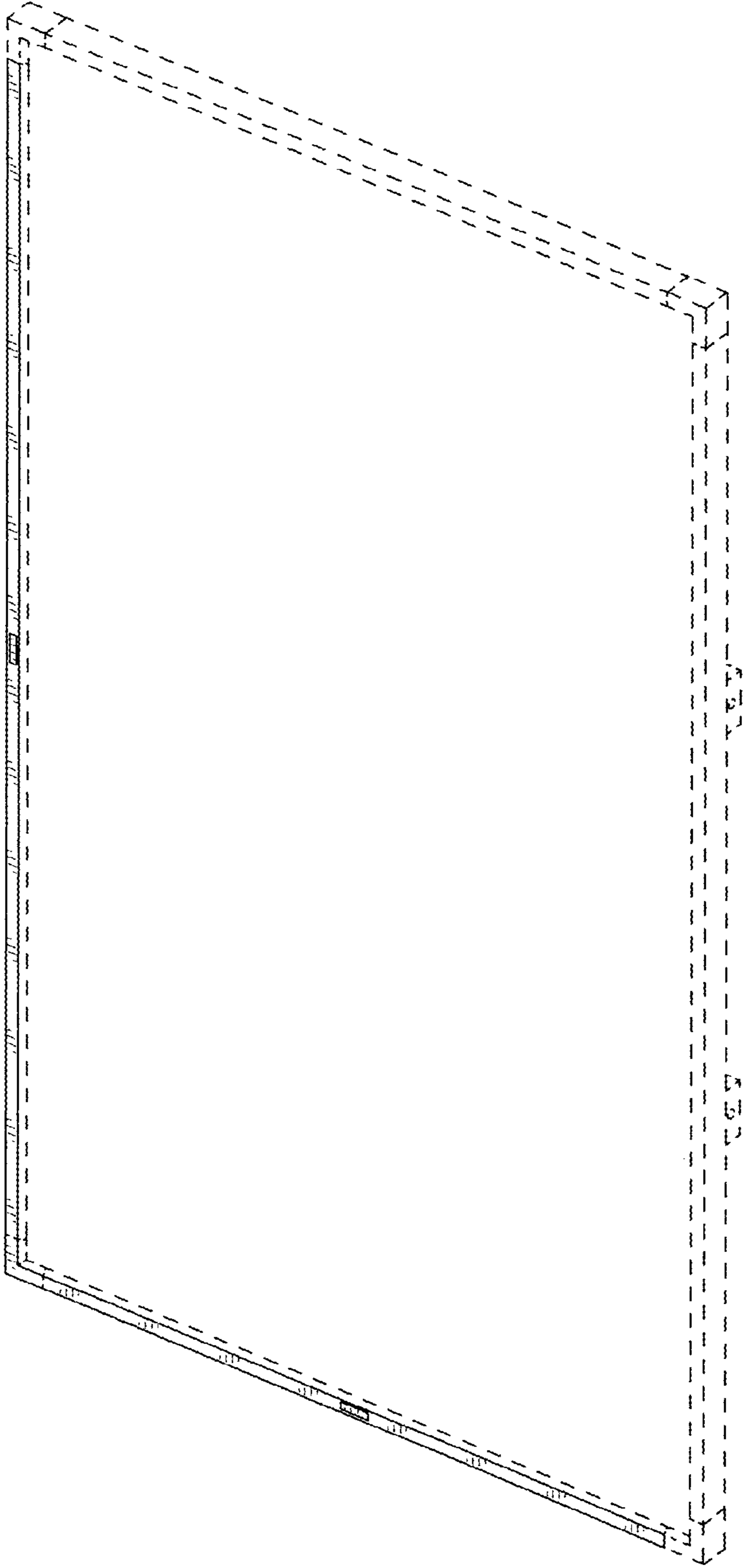


FIG. 2

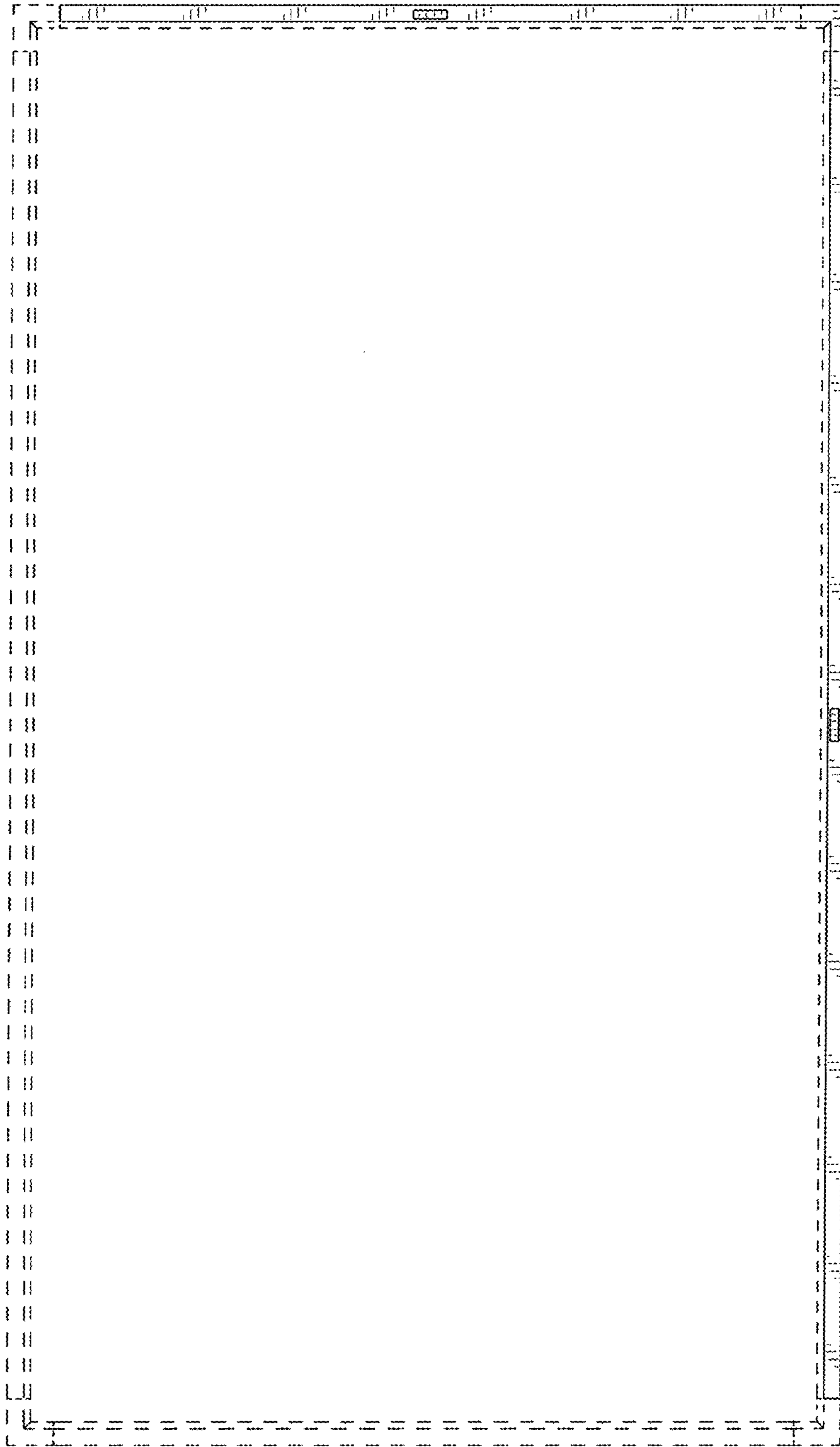


FIG. 3

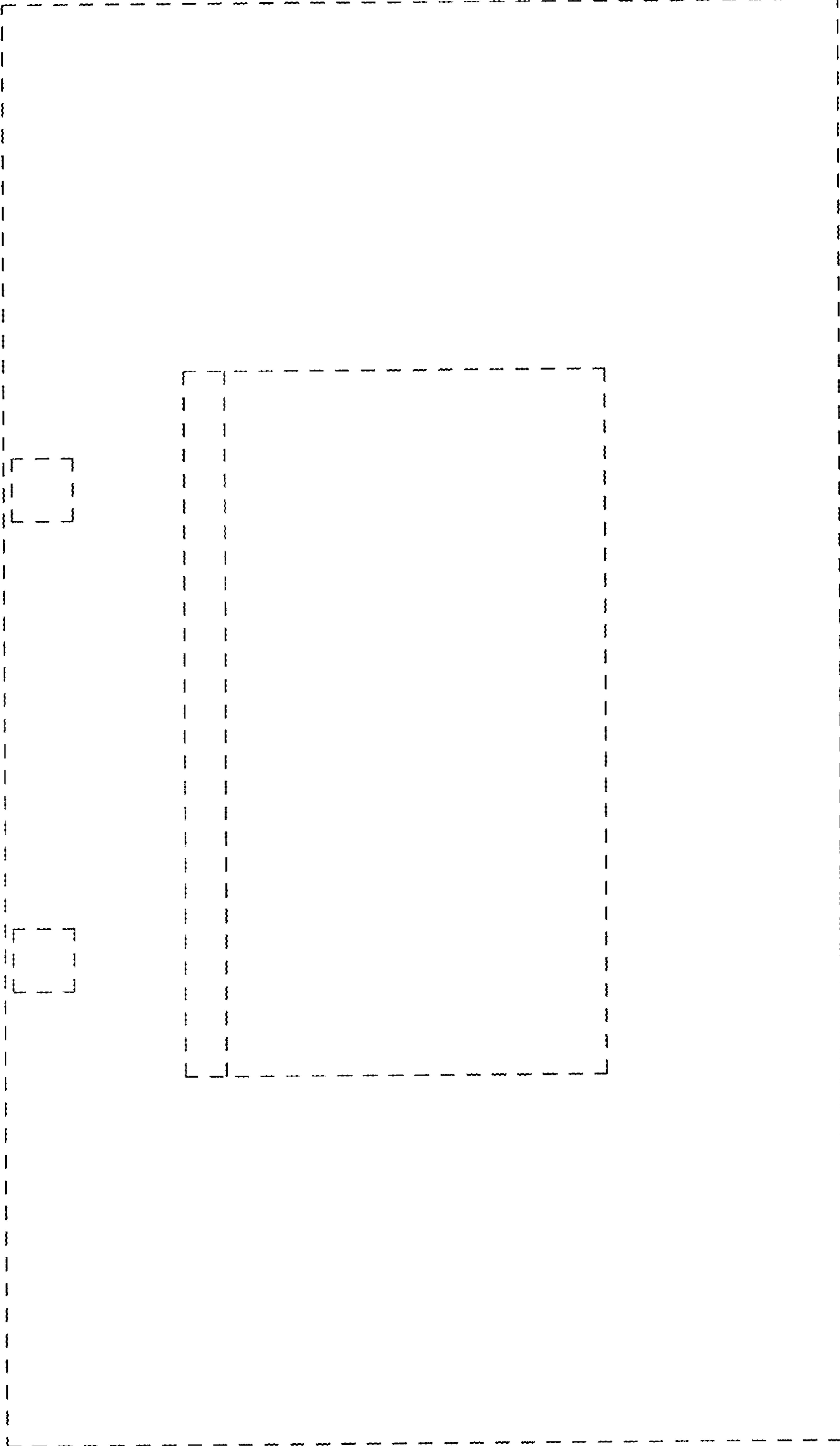


FIG. 4

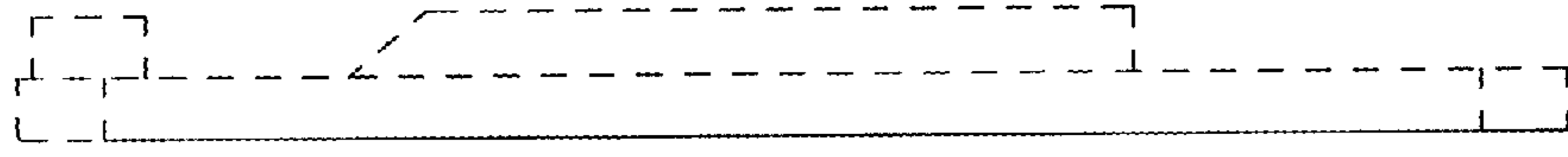


FIG. 6



FIG. 5



FIG. 7

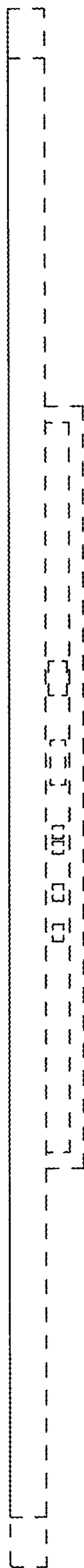


FIG. 8

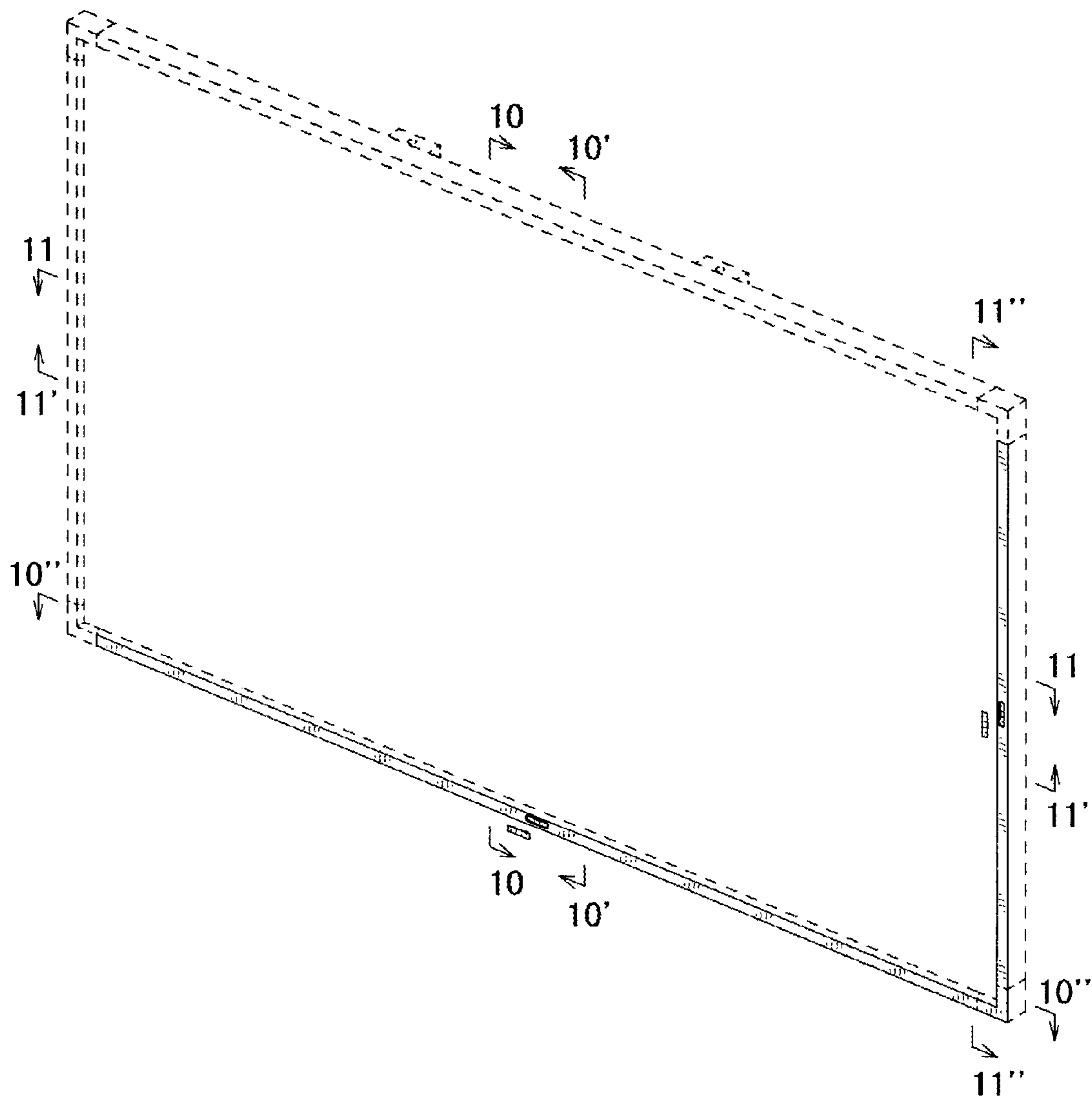


FIG. 9

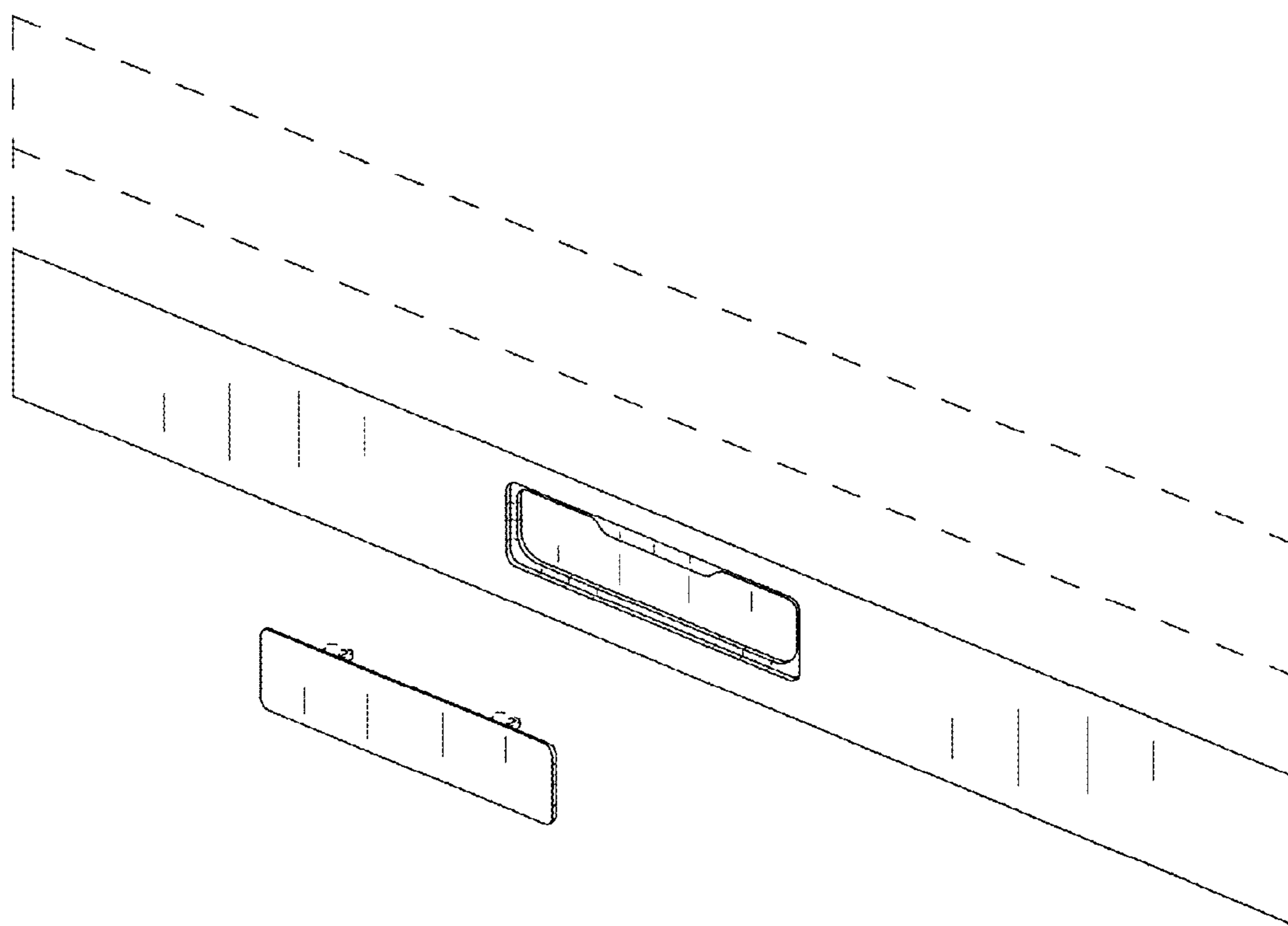


FIG. 10

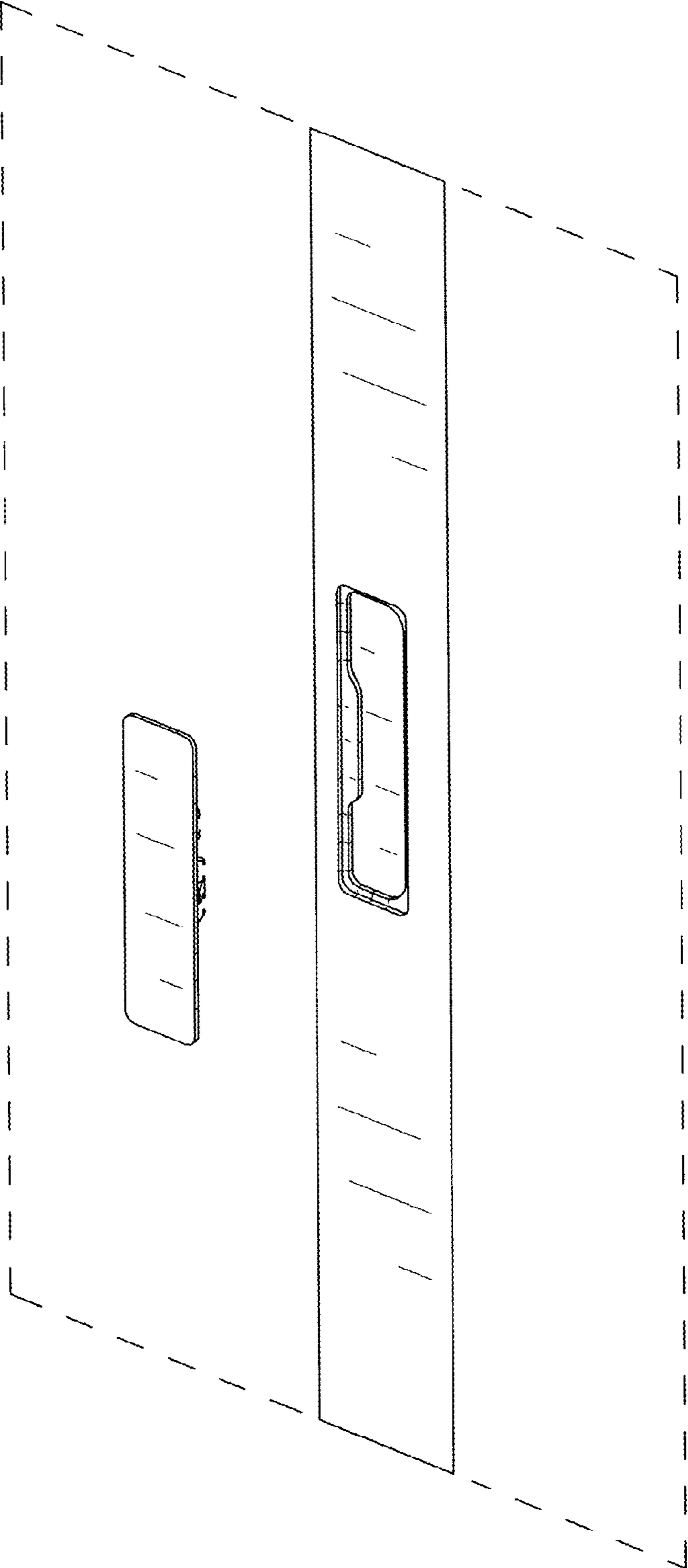


FIG. 11

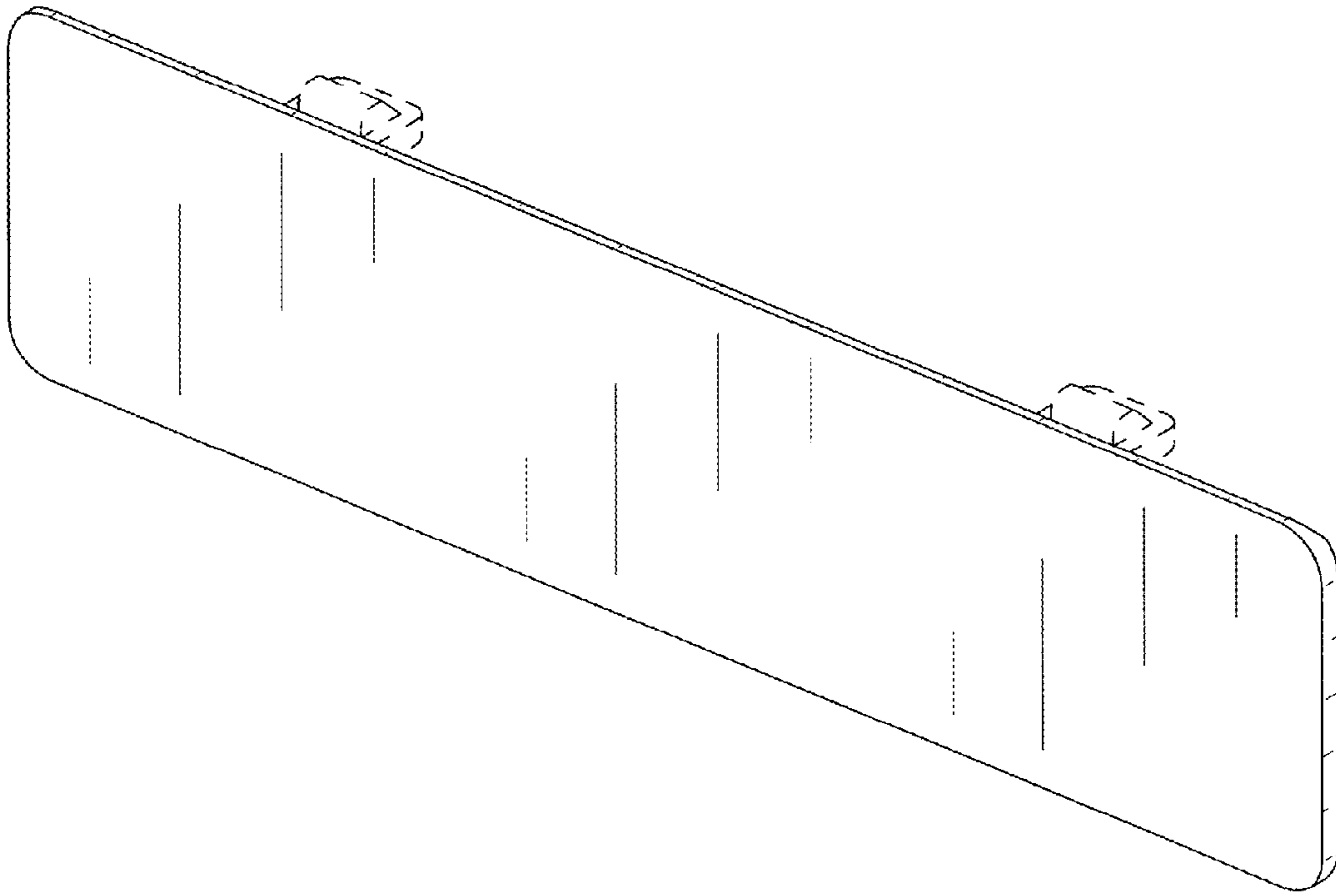


FIG. 12

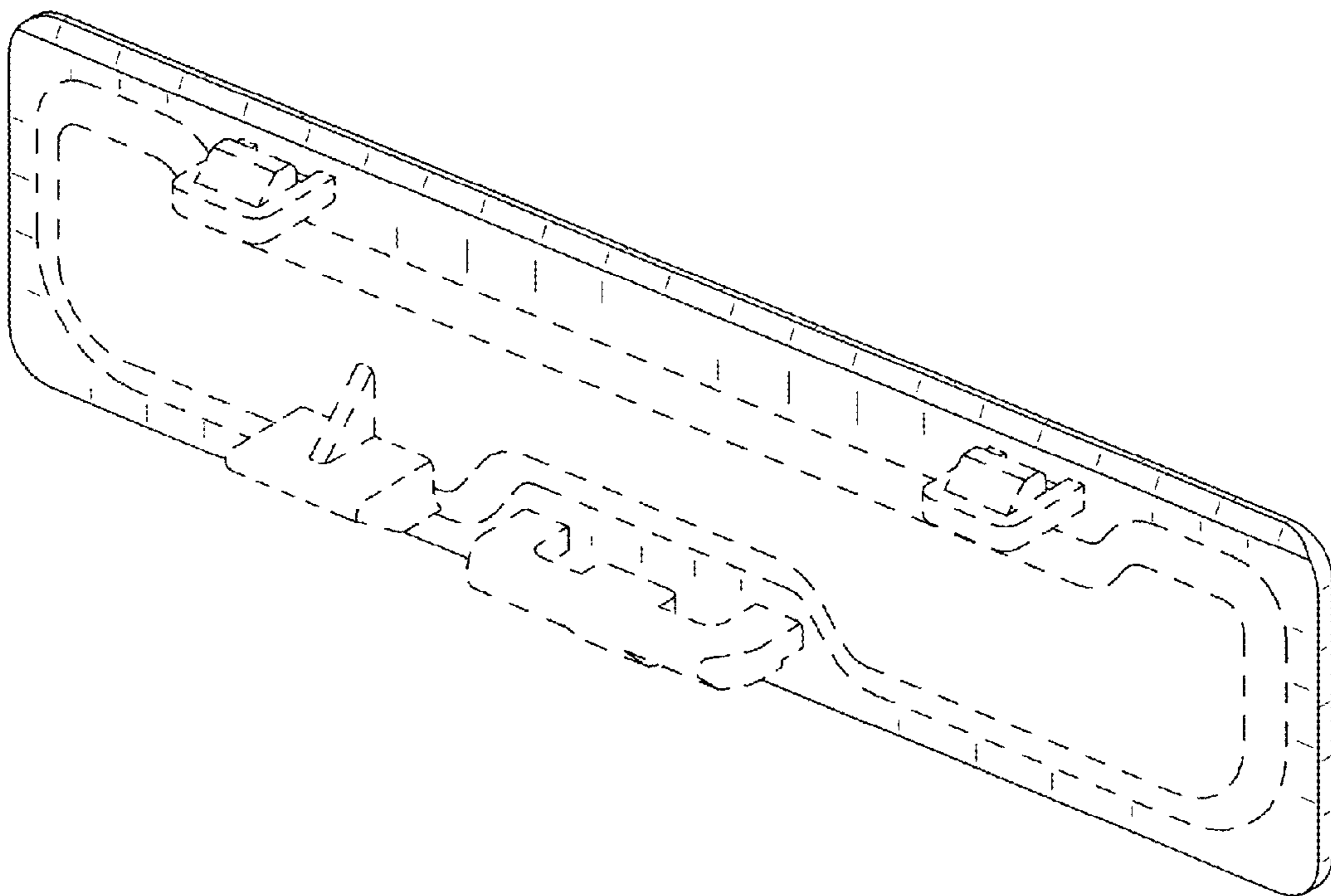


FIG. 13

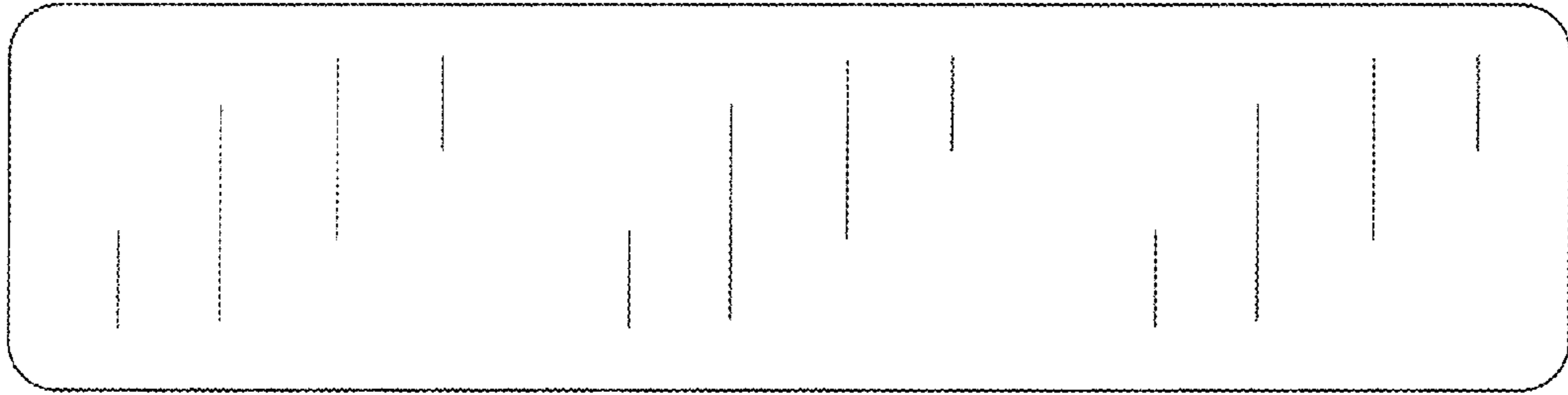


FIG. 14

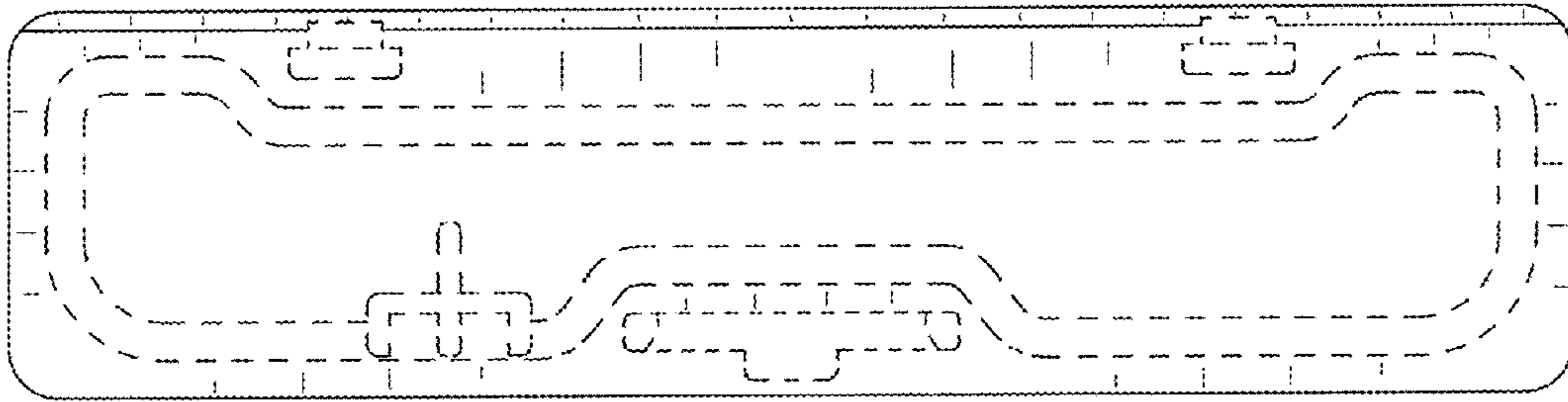


FIG. 15



FIG. 16

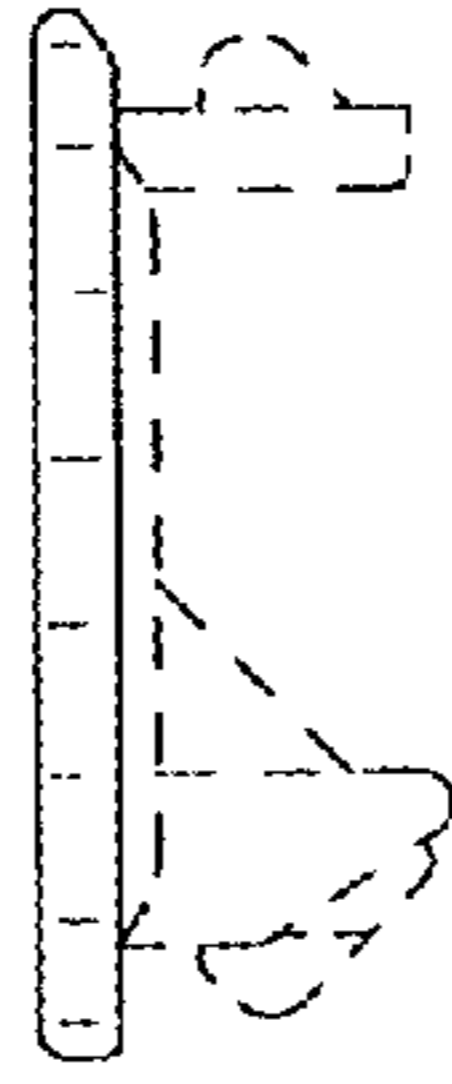


FIG. 17

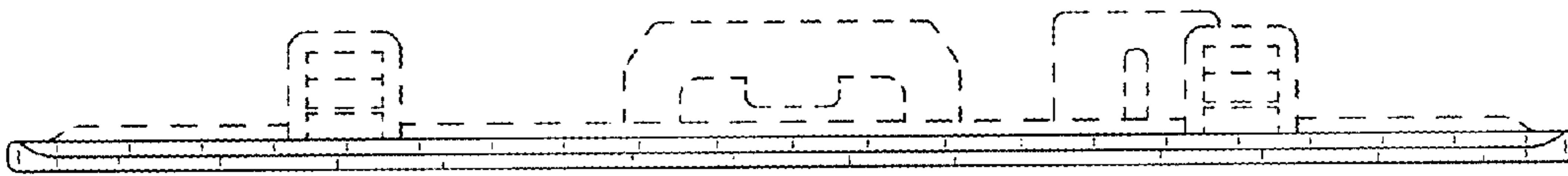


FIG. 18

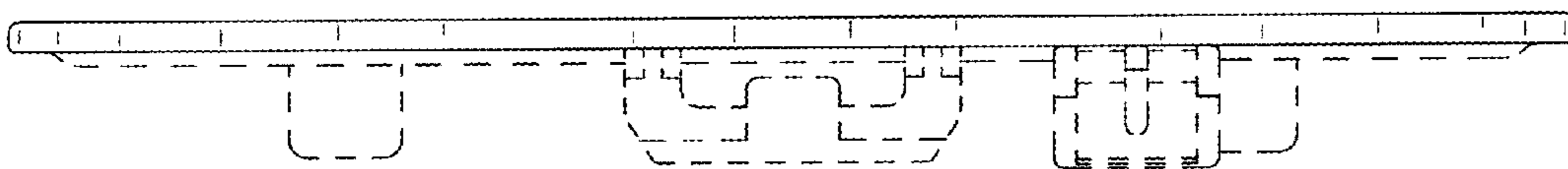


FIG. 19

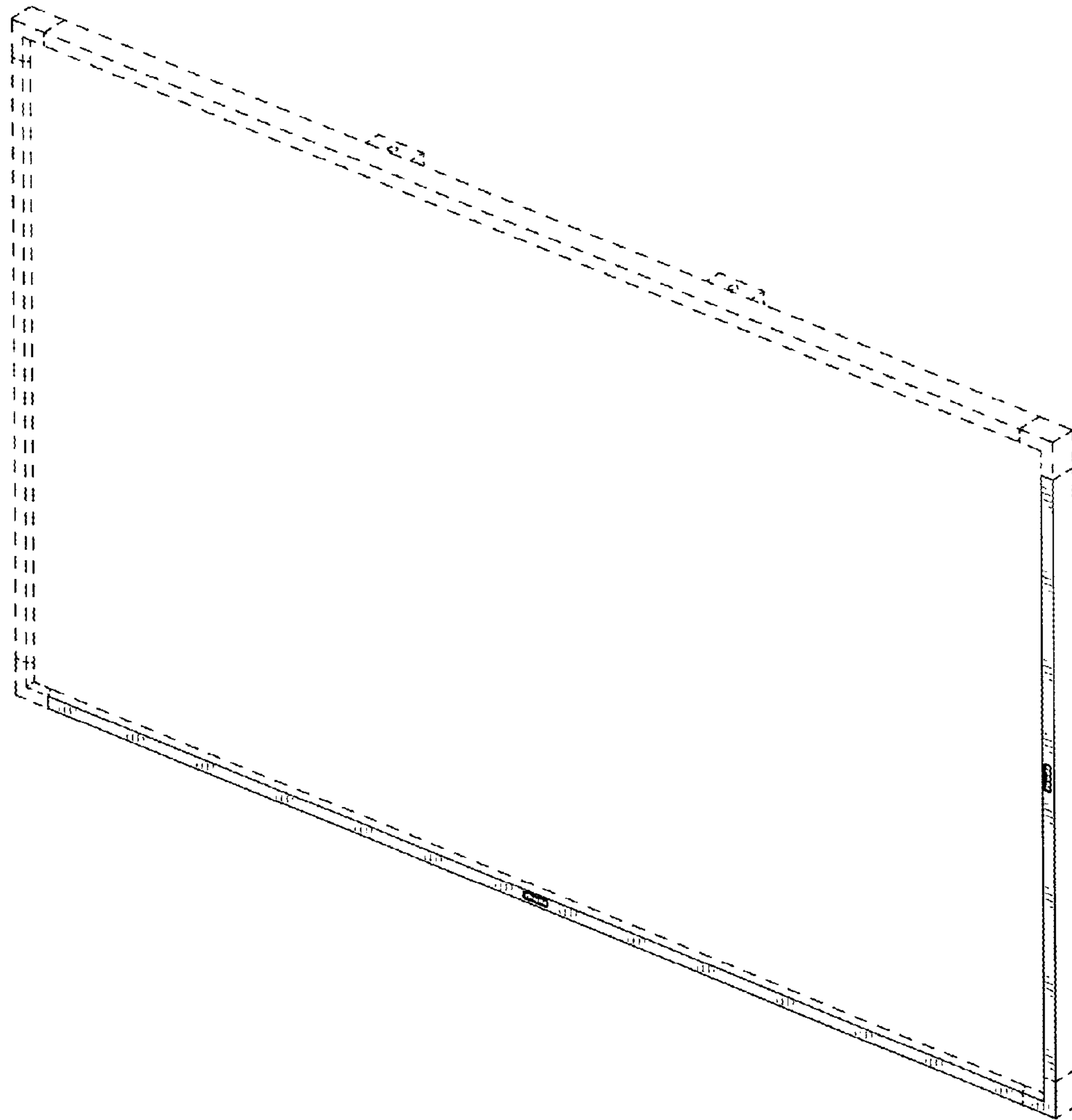


FIG. 20

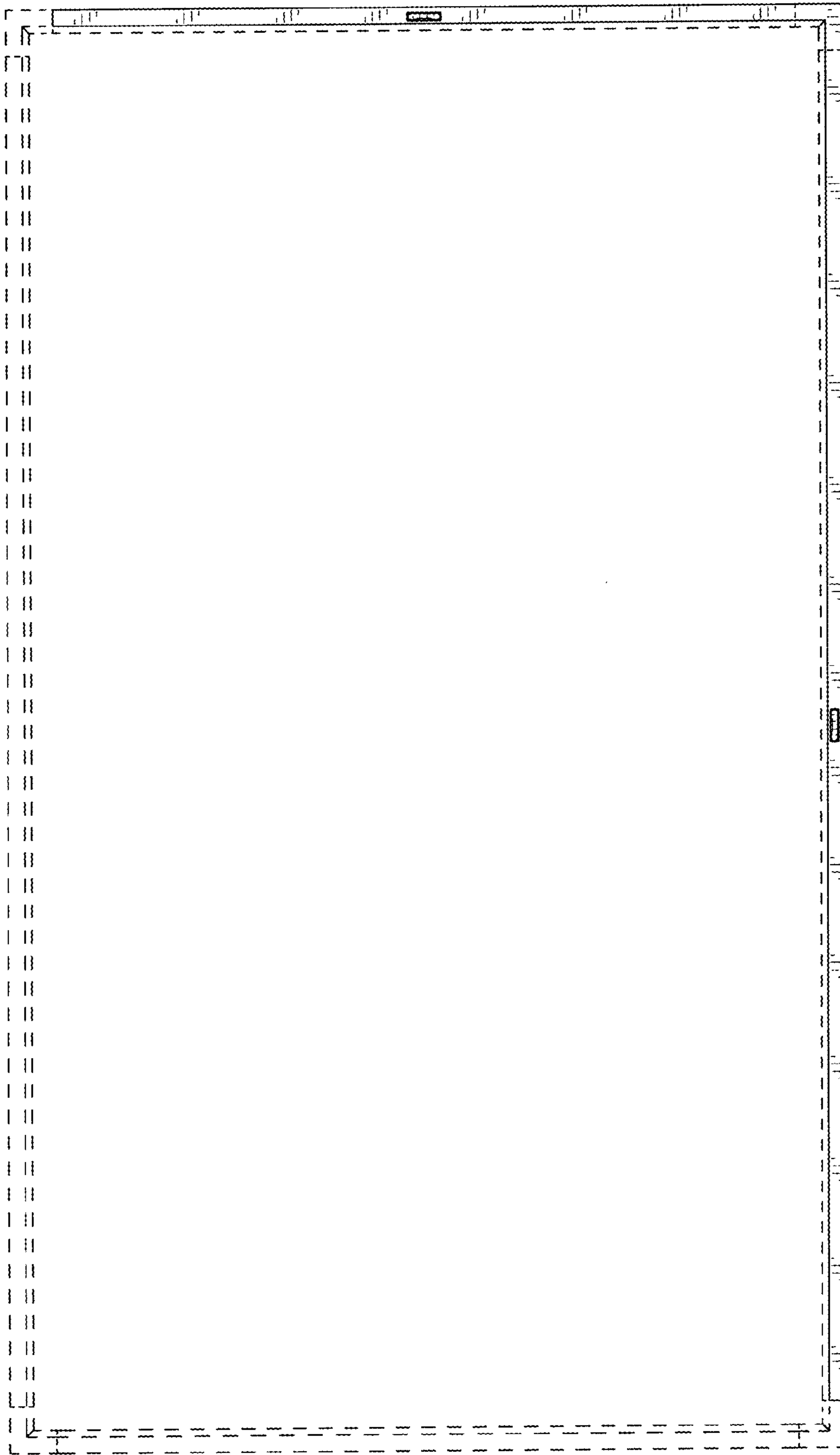


FIG. 21