



US00D760675S

(12) **United States Design Patent**
Chalabi et al.

(10) **Patent No.:** **US D760,675 S**
(45) **Date of Patent:** **** Jul. 5, 2016**

(54) **VIDEO TELECONFERENCING DEVICE**

(71) Applicant: **Microsoft Corporation**, Redmond, WA (US)

(72) Inventors: **Malek Chalabi**, Seattle, WA (US); **Gadi Amit**, San Mateo, CA (US); **Matt Pugmire**, San Francisco, CA (US); **Chadwick Harber**, San Francisco, CA (US); **Quinn Fitzgerald**, San Francisco, CA (US)

(73) Assignee: **Microsoft Corporation**, Redmond, WA (US)

(**) Term: **15 Years**

(21) Appl. No.: **29/528,285**

(22) Filed: **May 27, 2015**

(51) **LOC (10) Cl.** **14-03**

(52) **U.S. Cl.**
USPC **D14/125**

(58) **Field of Classification Search**
USPC D14/125, 357, 358, 496, 188, 242, 432;
D13/184; 348/10, 460, 706, 731;
340/825.03; 455/6.1, 6.2; 312/223.1,
312/7.2

CPC H04N 21/00; H04N 21/20; H04N 21/40
See application file for complete search history.

(56) **References Cited**

U.S. PATENT DOCUMENTS

D477,183 S *	7/2003	Janky	D7/509
D591,744 S *	5/2009	Shimizu	D14/356
D645,750 S *	9/2011	Lee	D9/445
D676,420 S *	2/2013	Holzer	D14/212
D684,673 S *	6/2013	Caroen	D23/366
D699,710 S *	2/2014	Lee	D14/214

OTHER PUBLICATIONS

Deyle, Travis. "MeBot: An Affective Teleconferencing Robot from MIT Being Presented at HRI 2010." Hizook., Feb. 28, 2010 [online],

[retrieved on May 22, 2015]. Retrieved from the Internet <URL: <http://www.hizook.com/blog/2010/02/28/mebot-affective-teleconferencing-robot-mit-being-presented-hri-2010>>.

Price, Andrew. "Boston's Children's Hospital is Sending Some Patients Home with Sleek New Robots." Fast Company Online Magazine., Feb. 2, 2012 [online], [retrieved on May 21, 2015]. Retrieved from the Internet <URL: <http://www.fastcoexist.com/1679235/boston-children-s-hospital-is-sending-some-patients-home-with-sleek-new-robots>>.

"Special Guest Robot at 'Brainworks' to Show Middle Schoolers How Doctors Can Monitor Patients From a Distance." Cedars-Sinai., Mar. 7, 2013 [online], [retrieved on May 21, 2015]. Retrieved from the Internet <URL: <http://www.cedars-sinai.edu/About-Us/News/News-Releases-2013/Special-guest-robot-at-Brainworks-to-show-middle-schooler-show-doctors-can-monitor-patients-from-a-distance.aspx>>.

(Continued)

Primary Examiner — Randall Gholson

(74) *Attorney, Agent, or Firm* — Banner & Witcoff, Ltd.

(57) **CLAIM**

The ornamental design for a video teleconferencing device, as shown and described.

DESCRIPTION

FIG. 1 is a front perspective view of a video teleconferencing device showing our new design;

FIG. 2 is a front view thereof;

FIG. 3 is a rear view thereof;

FIG. 4 is a right side view thereof;

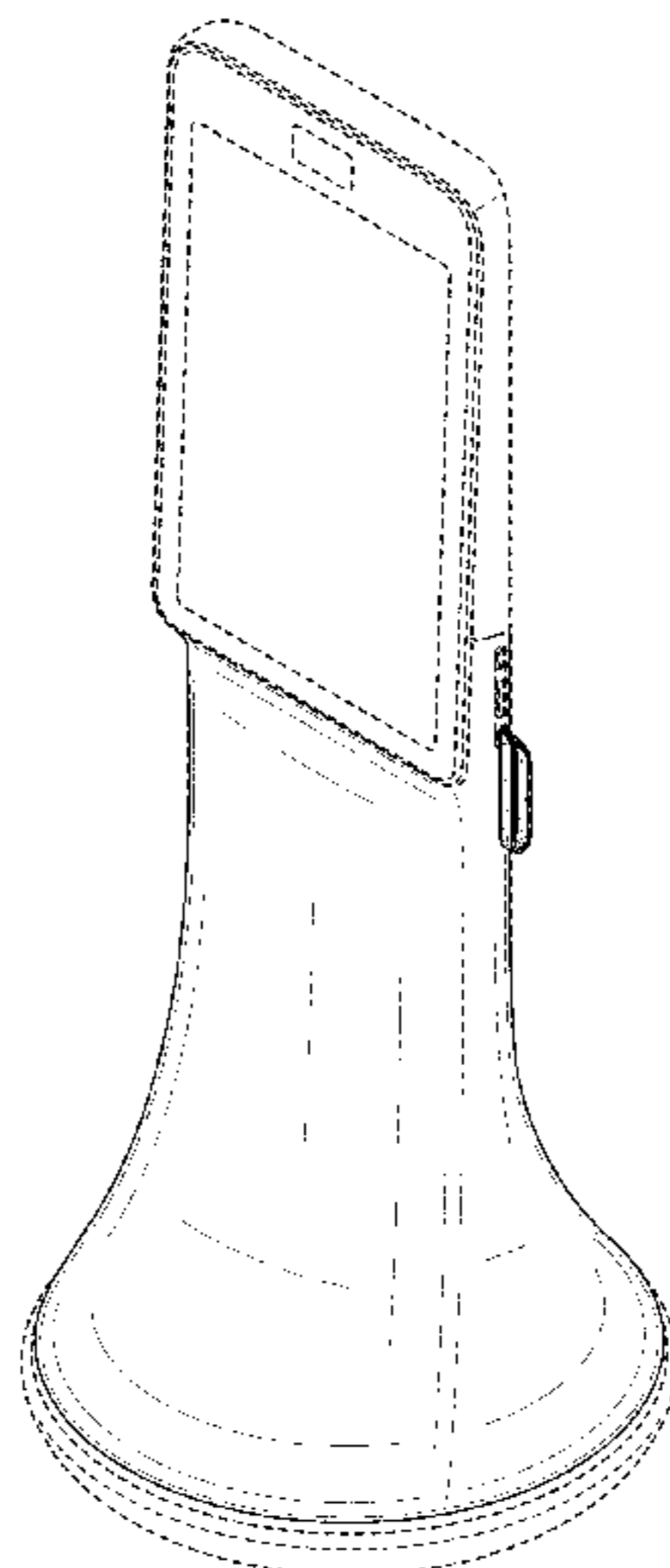
FIG. 5 is a left side view thereof;

FIG. 6 is a top view thereof; and,

FIG. 7 is a bottom view thereof.

The broken line showing of the remainder of the video teleconferencing device is for environmental purposes only and forms no part of the claimed design.

1 Claim, 6 Drawing Sheets



(56)

References Cited

OTHER PUBLICATIONS

“Double Teleconferencing Robot is Now Available for Purchase From the Online Apple Store.” iClarified., Nov. 12, 2013 [online]. [retrieved on May 21, 2015]. Retrieved from Internet <URL: <http://www.iclarified.com/35710/double-teleconferencing-robot-is-now-available-for-purchase-from-the-online-apple-store>>.

“iRobot RP-VITA the Newest in Telepresence Medical Robots.” Design Junky Laorosa., Nov. 19, 2012 [online], [retrieved on May 21, 2015]. Retrieved from the Internet <URL: <http://www.design-laorosa.com/2012/11/irobot-rp-vita-newest-in-telepresence.html>>.

Berkowitz, Roger. “The Robot is Boss.” Hannah Arendt Center Bard College., Sep. 5, 2010 [online], [retrieved on May 22, 2015].

Retrieved from the Internet <URL: <http://www.hannaharendtcenter.org/?p=346>>.

Scene from Demolition Man. Warner Bros., [release date Oct. 8, 1993], [retrieved on May 22, 2015].

U.S. Appl. No. 29/528,280, filed May 27, 2015, Video Teleconferencing Device.

U.S. Appl. No. 29/528,281, filed May 27, 2015, Video Teleconferencing Device.

U.S. Appl. No. 29/528,282, filed May 27, 2015, Video Teleconferencing Device.

U.S. Appl. No. 29/528,283, filed May 27, 2015, Video Teleconferencing Device.

U.S. Appl. No. 29/528,286, filed May 27, 2015, Video Teleconferencing Device.

* cited by examiner

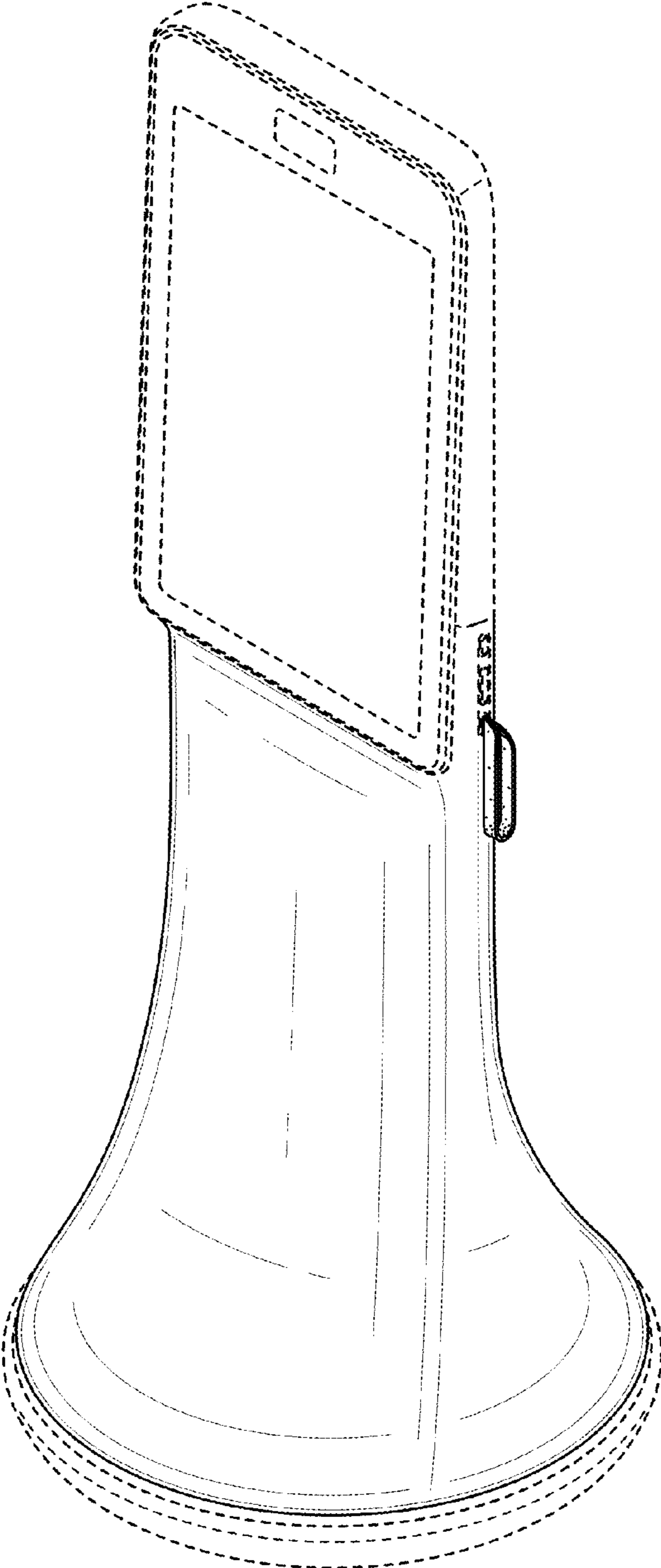


FIG. 1

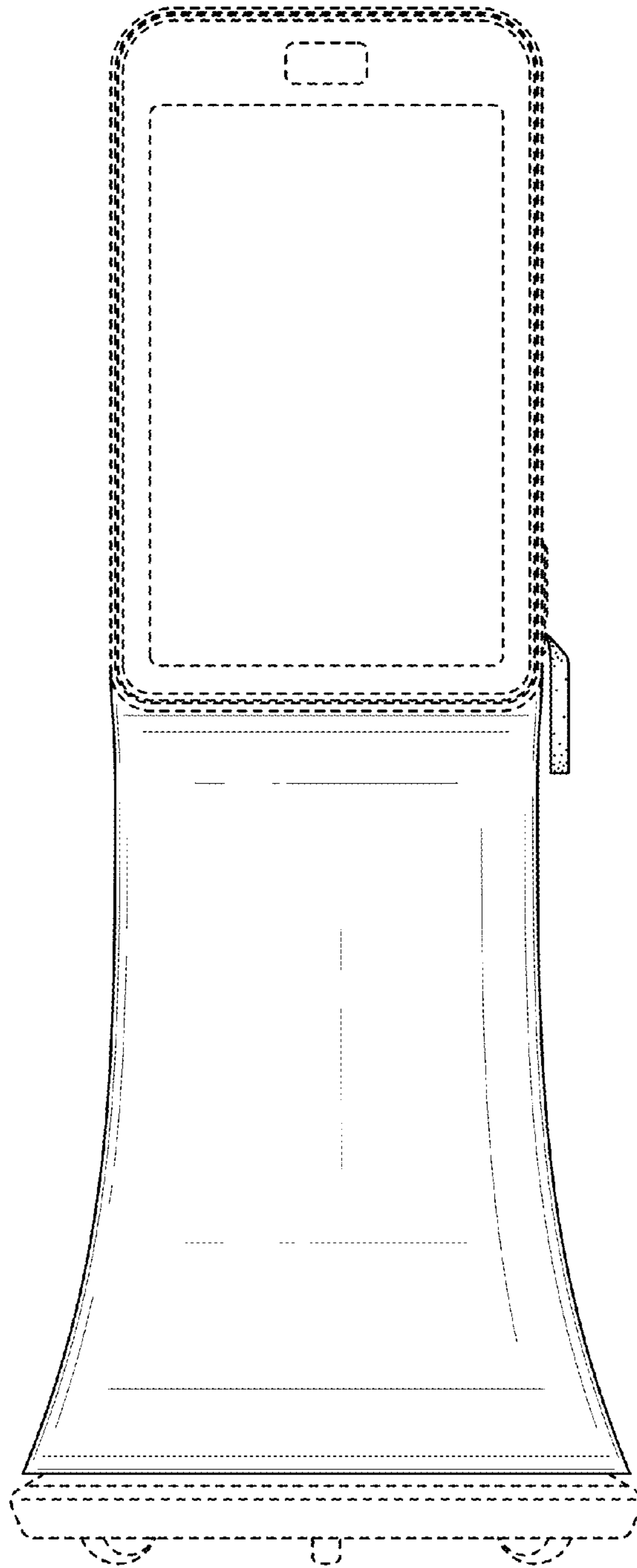


FIG. 2

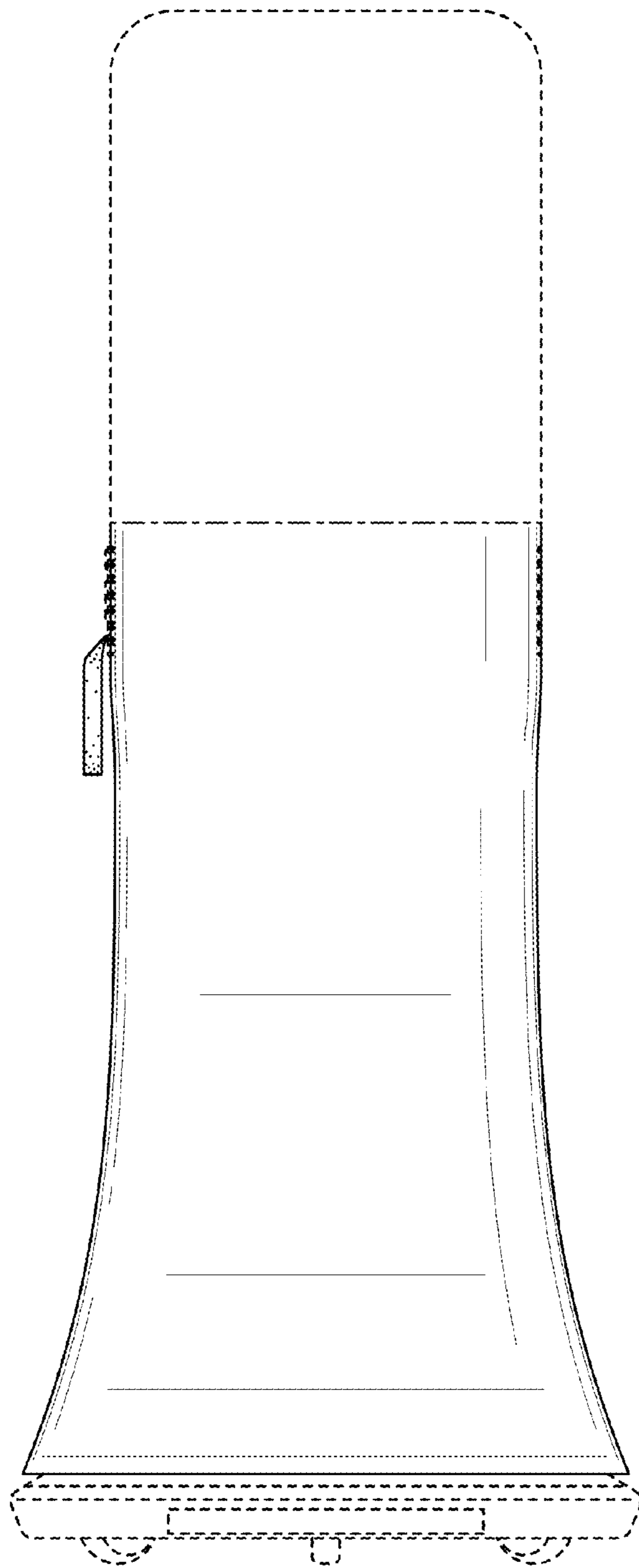


FIG. 3

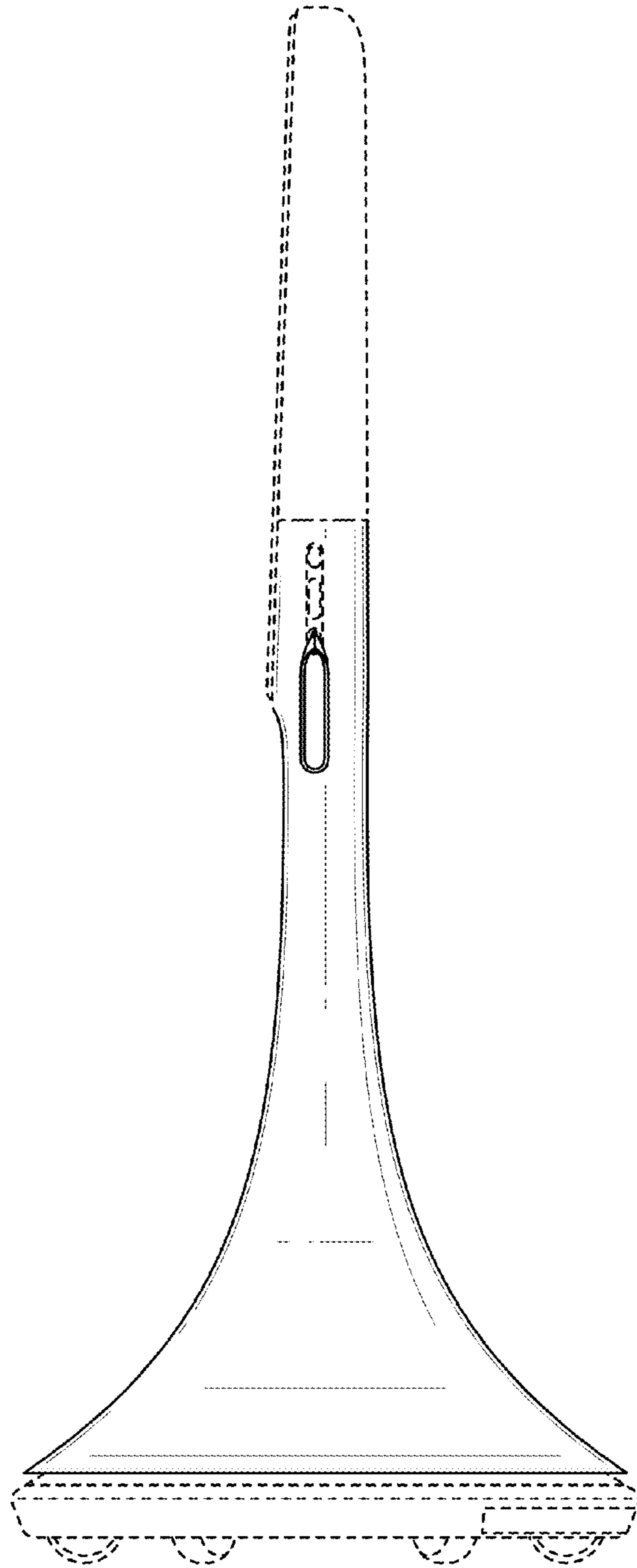


FIG. 4

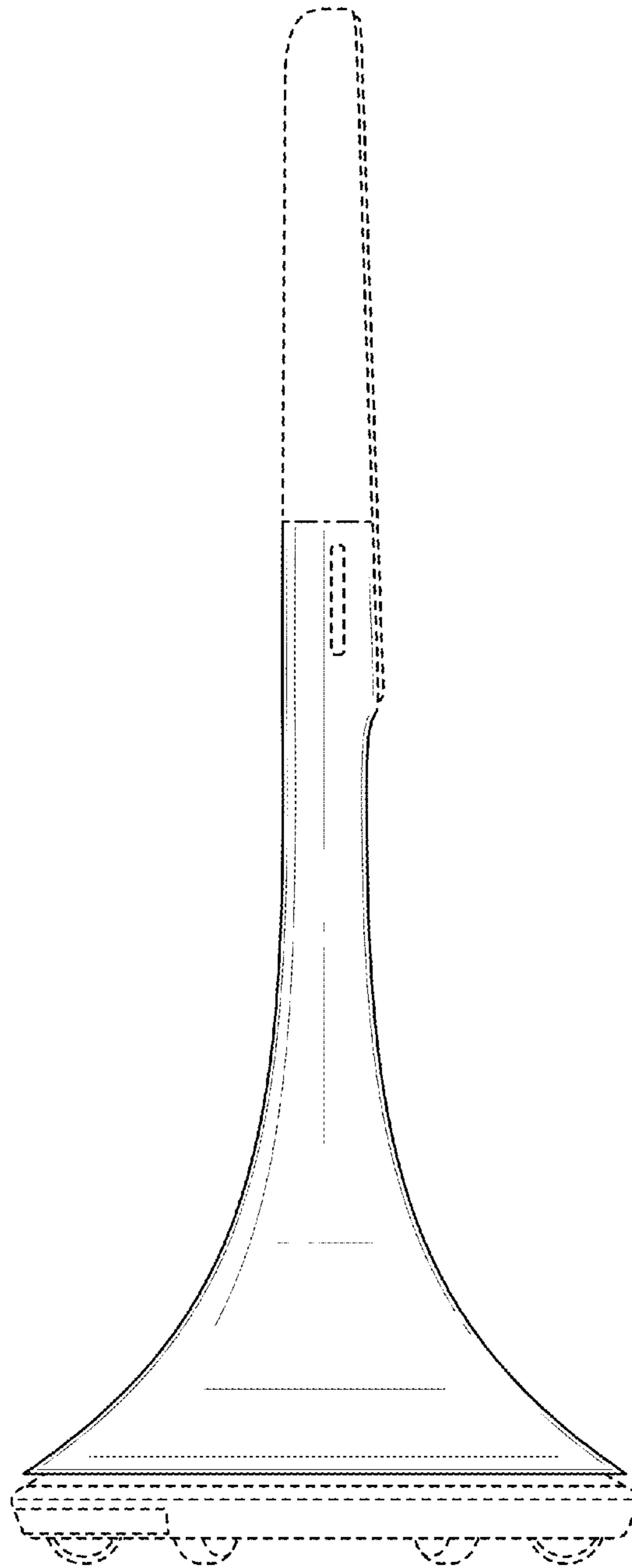


FIG. 5

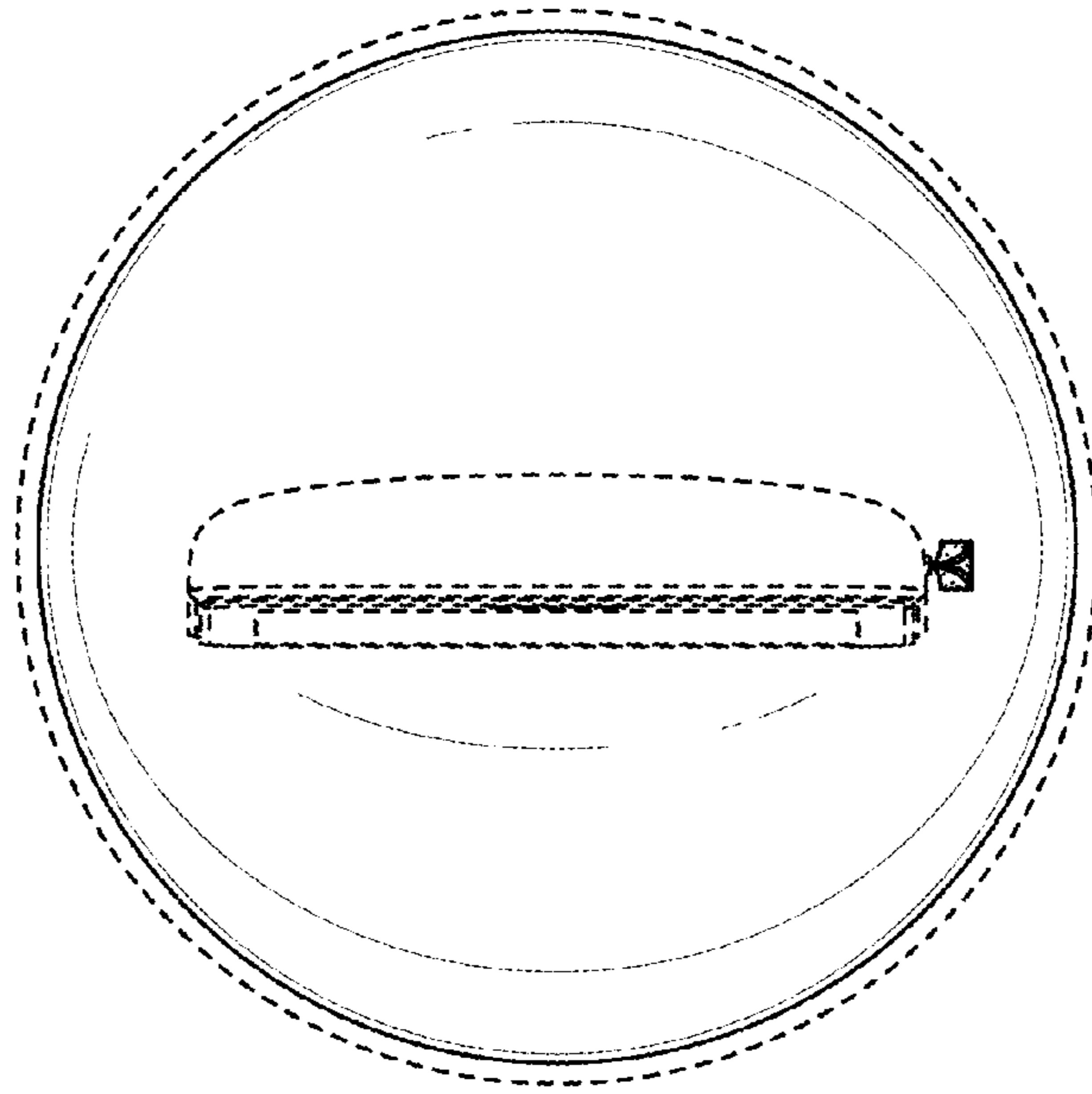


FIG. 6

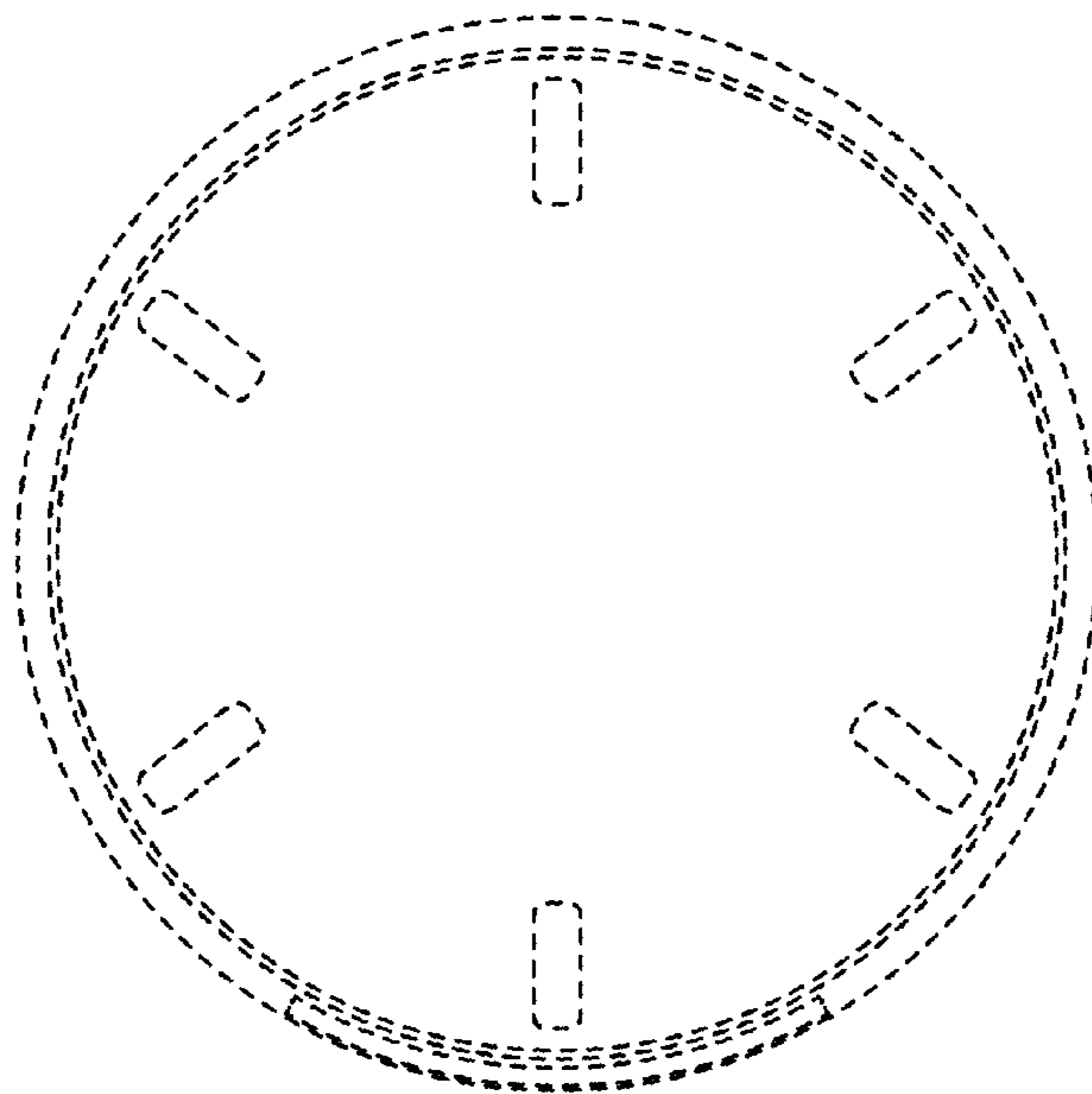


FIG. 7