

US00D760673S

(12) **United States Design Patent**
Chalabi et al.

(10) **Patent No.:** **US D760,673 S**
(45) **Date of Patent:** **** Jul. 5, 2016**

- (54) **VIDEO TELECONFERENCING DEVICE**
- (71) Applicant: **Microsoft Corporation**, Redmond, WA (US)
- (72) Inventors: **Malek Chalabi**, Seattle, WA (US); **Gadi Amit**, San Mateo, CA (US); **Matt Pugmire**, San Francisco, CA (US); **Chadwick Harber**, San Francisco, CA (US); **Quinn Fitzgerald**, San Francisco, CA (US)
- (73) Assignee: **Microsoft Corporation**, Redmond, WA (US)

- (56) **References Cited**
- U.S. PATENT DOCUMENTS
- | | | | | | |
|-----------|------|---------|----------|-------|--------------------------|
| 5,382,972 | A * | 1/1995 | Kannes | | H04N 5/445
348/14.01 |
| 5,485,504 | A * | 1/1996 | Ohnsorge | | H04M 1/0264
348/14.02 |
| 5,737,011 | A * | 4/1998 | Lukacs | | H04N 7/15
348/14.09 |
| 5,745,161 | A * | 4/1998 | Ito | | H04N 7/15
348/14.09 |
| D423,491 | S * | 4/2000 | Harris | | D14/130 |
| D540,753 | S * | 4/2007 | Lukic | | D14/125 |
| D605,145 | S * | 12/2009 | Kellar | | D14/125 |
| D608,372 | S * | 1/2010 | Brace | | D15/5 |
| 8,379,075 | B2 * | 2/2013 | Hagen | | H04N 7/15
348/14.08 |
| D737,788 | S * | 9/2015 | Leung | | D14/125 |
| D737,789 | S * | 9/2015 | Leung | | D14/125 |
| 9,204,094 | B2 * | 12/2015 | Mock | | H04N 7/15 |

- (**) Term: **15 Years**
- (21) Appl. No.: **29/528,282**
- (22) Filed: **May 27, 2015**

- OTHER PUBLICATIONS
- U.S. Appl. No. 29/528,280, Video Teleconferencing Device, filed May 27, 2015.
U.S. Appl. No. 29/528,281, Video Teleconferencing Device, filed May 27, 2015.

(Continued)

- (51) **LOC (10) Cl.** **14-03**
- (52) **U.S. Cl.**
USPC **D14/125**
- (58) **Field of Classification Search**
USPC D14/125, 357, 358, 496, 188, 242, 432;
D13/184; 348/14.01, 14.05, 14.1,
348/14.16, 211.12, 385.1, 516, 739, 211.11,
348/211.13; 340/825.03; 455/6.1, 6.2,
455/575.1, 416-418; 312/223.1, 7.2;
379/88.13, 93.21, 158, 202.01, 205.01,
379/433.02, 433.03; 709/204-206
CPC H04N 21/00; H04N 21/20; H04N 21/40;
H04N 7/14; H04N 7/15; H04L 12/1813;
H04L 65/403; H04M 1/00; H04M 1/02;
H04M 3/56; H04M 9/00; H04M 11/00;
H04R 3/02; H04R 27/00

Primary Examiner — Randall Gholson
(74) *Attorney, Agent, or Firm* — Banner & Witcoff, Ltd.

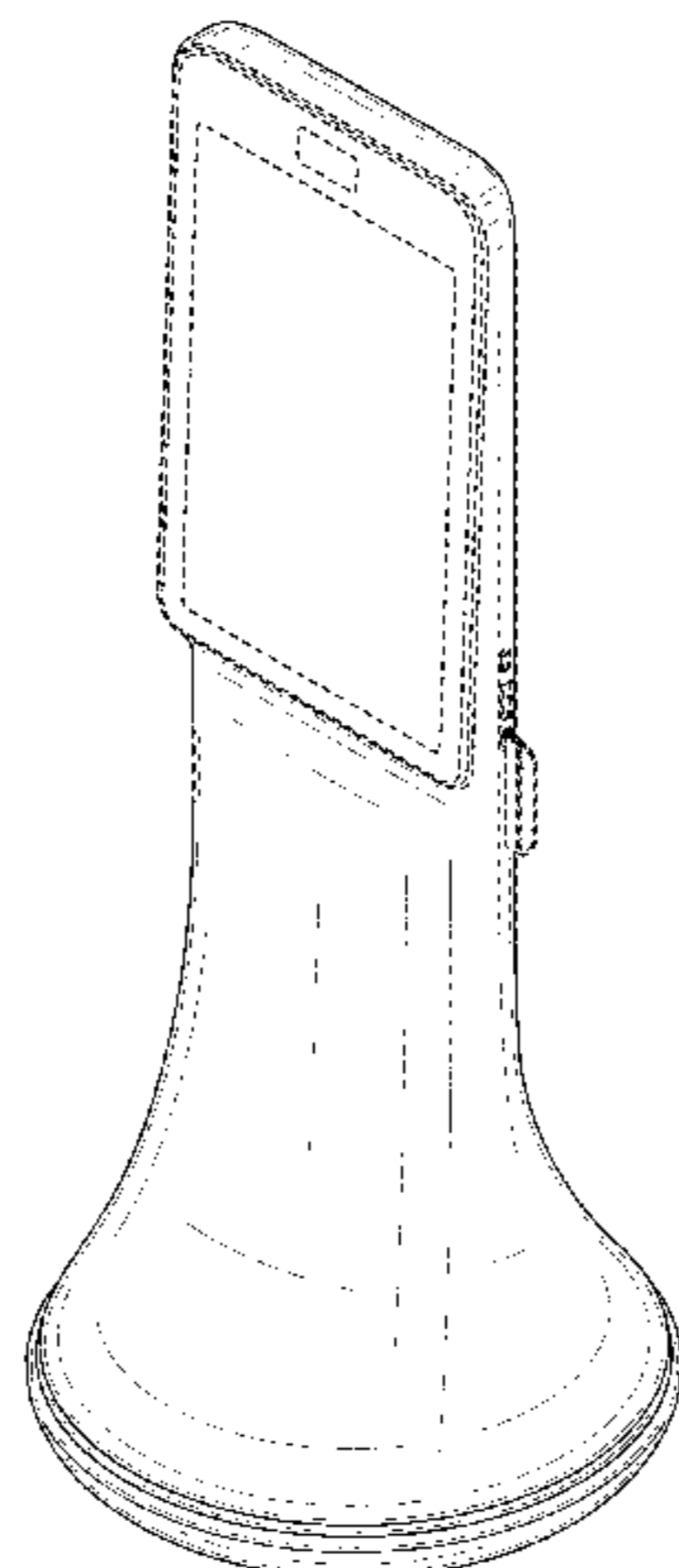
(57) **CLAIM**
The ornamental design for a video teleconferencing device, as shown and described.

DESCRIPTION

FIG. 1 is a front perspective view of a video teleconferencing device showing our new design;
FIG. 2 is a front view thereof;
FIG. 3 is a rear view thereof;
FIG. 4 is a right side view thereof;
FIG. 5 is a left side view thereof;
FIG. 6 is a top view thereof; and,
FIG. 7 is a bottom view thereof.
The broken line showing of the remainder of the video teleconferencing device is for environmental purposes only and forms no part of the claimed design.

1 Claim, 6 Drawing Sheets

See application file for complete search history.



(56)

References Cited

OTHER PUBLICATIONS

U.S. Appl. No. 29/528,283, Video Teleconferencing Device, filed May 27, 2015.

U.S. Appl. No. 29/528,285, Video Teleconferencing Device, filed May 27, 2015.

U.S. Appl. No. 29/528,286, Video Teleconferencing Device, filed May 27, 2015.

Deyle, Travis. "MeBot: An Affective Teleconferencing Robot from MIT Being Presented at HRI 2010." Hizook., Feb. 28, 2010 [online], [retrieved on May 22, 2015]. Retrieved from the Internet <URL: <http://www.hizook.com/blog/2010/02/28/mebot-affective-teleconferencing-robot-mit-being-presented-hri-2010>>.

Price, Andrew. "Boston's Children's Hospital is Sending Some Patients Home with Sleek New Robots." Fast Company Online Magazine., Feb. 2, 2012 [online], [retrieved on May 21, 2015]. Retrieved from the Internet <URL: <http://www.fastcoexist.com/1679235/boston-children-s-hospital-is-sending-some-patients-home-with-sleek-new-robots>>.

"Special Guest Robot at 'Brainworks' to Show Middle Schoolers How Doctors Can Monitor Patients From a Distance." Cedars-Sinai.,

Mar. 7, 2013 [online], [retrieved on May 21, 2015]. Retrieved from the Internet <URL: <http://www.cedars-sinai.edu/About-Us/News/News-Releases-2013/Special-guest-robot-at-Brainworks-to-show-middle-schoolers-how-doctors-can-monitor-patients-from-a-distance.aspx>>.

"Double Teleconferencing Robot is Now Available for Purchase From the Online Apple Store." iClarified., Nov. 12, 2013 [online]. [retrieved on May 21, 2015]. Retrieved from Internet <URL: <http://www.iclarified.com/35710/double-teleconferencing-robot-is-now-available-for-purchase-from-the-online-apple-store>>.

"iRobot RP-VITA the Newest in Telepresence Medical Robots." Design Junky Laorosa., Nov. 19, 2012 [online], [retrieved on May 21, 2015]. Retrieved from the Internet <URL: <http://www.design-lorosa.com/2012/11/irobot-rp-vita-newest-in-telepresence.html>>.

Berkowitz, Roger. "The Robot is Boss." Hannah Arendt Center Bard College., Sep. 5, 2010 [online], [retrieved on May 22, 2015]. Retrieved from the Internet <URL: <http://www.hannahaendtcenter.org/?p=346>>.

Scene from Demolition Man. Warner Bros., [release date Oct. 8, 1993], [retrieved on May 22, 2015].

* cited by examiner

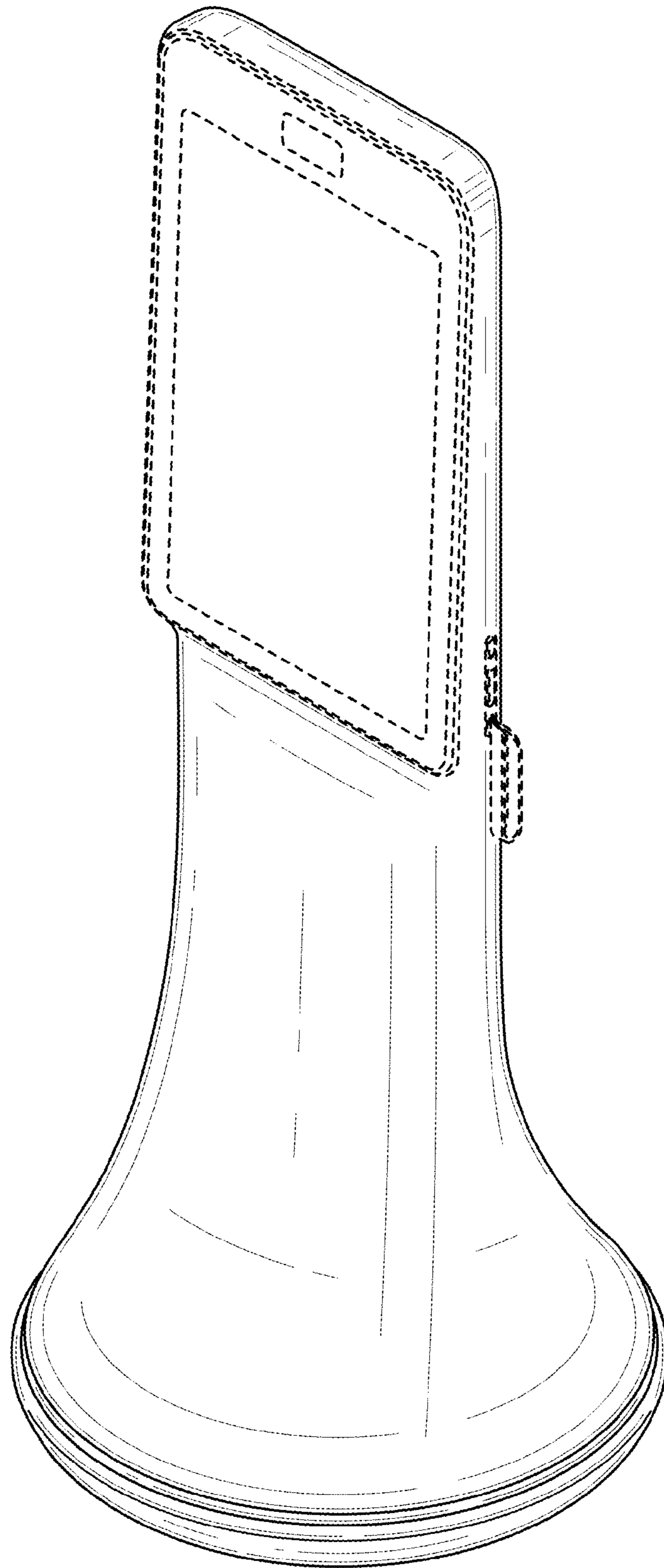


FIG. 1

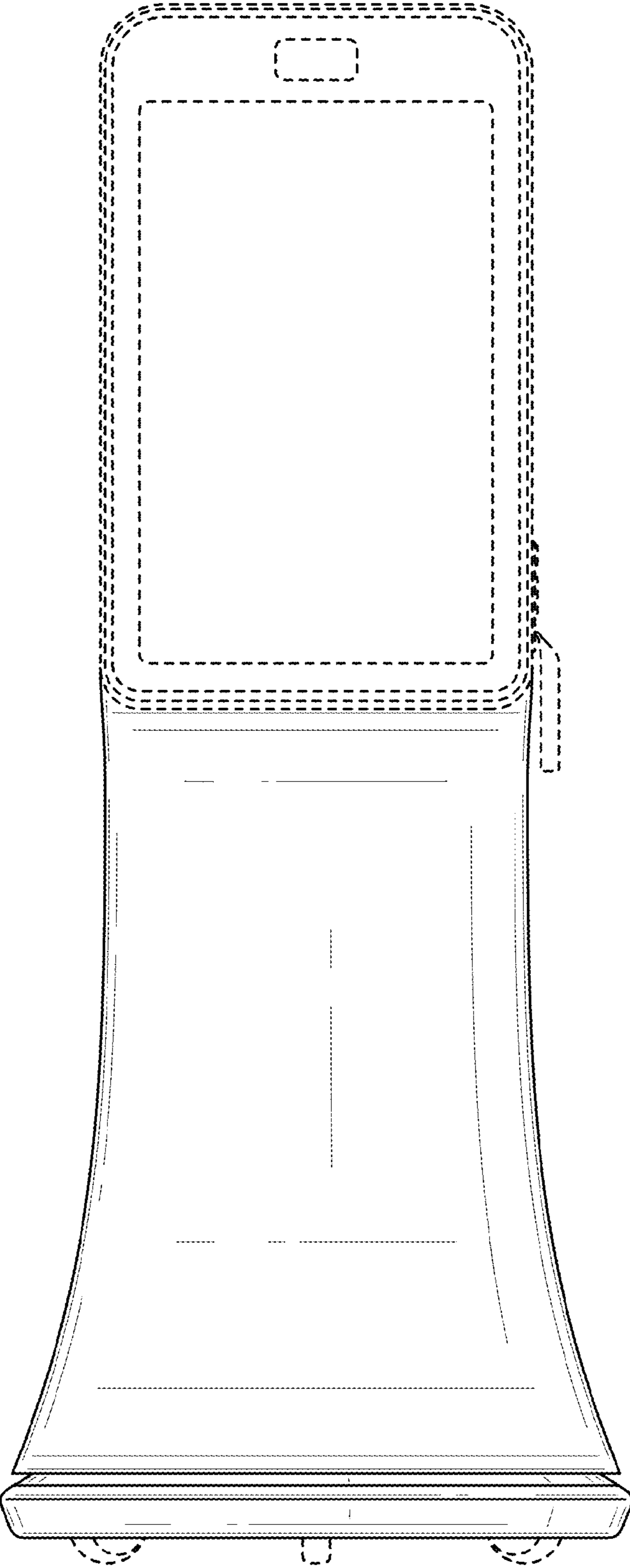


FIG. 2

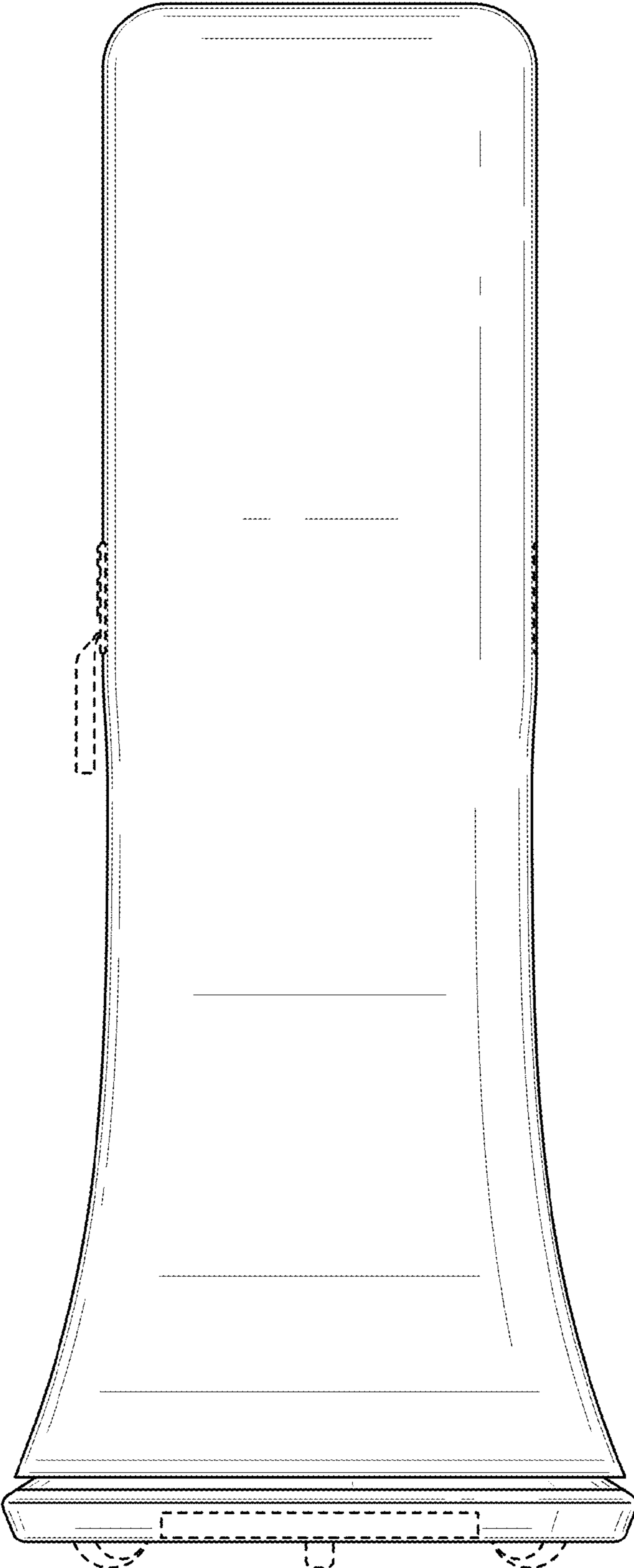


FIG. 3

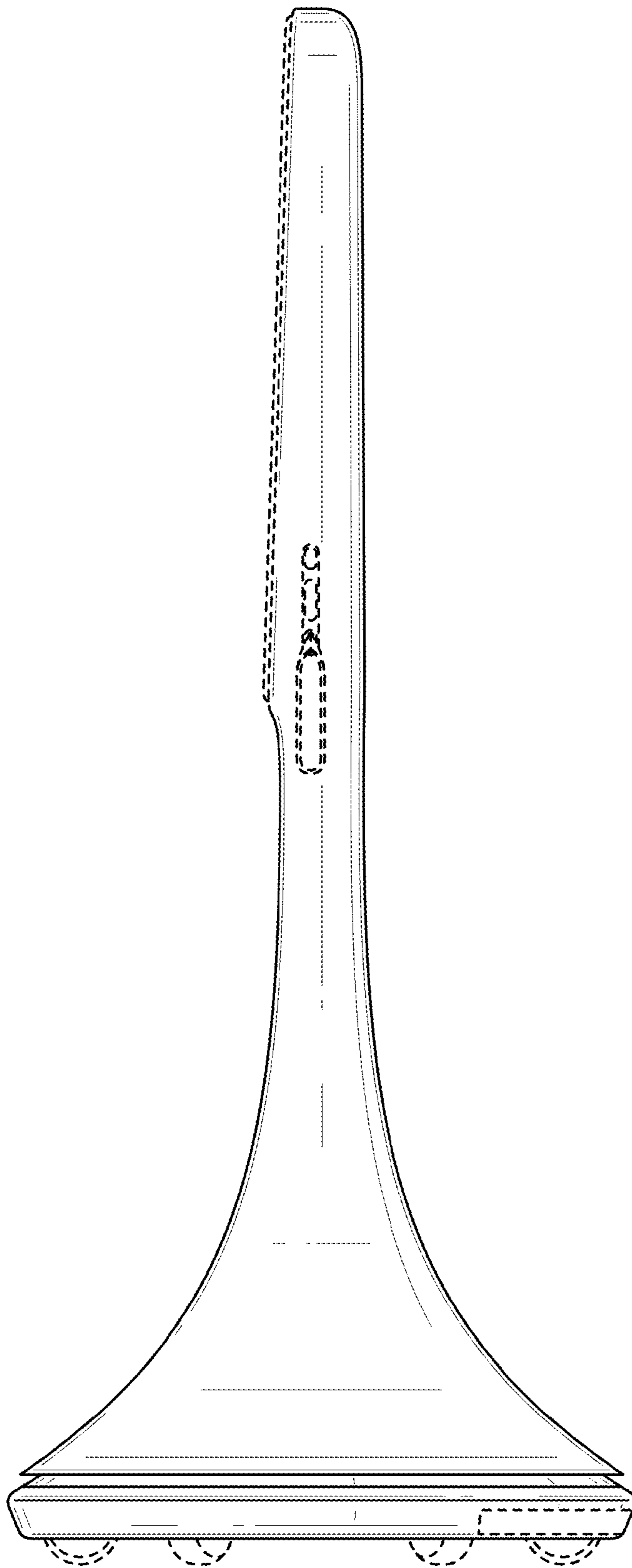


FIG. 4

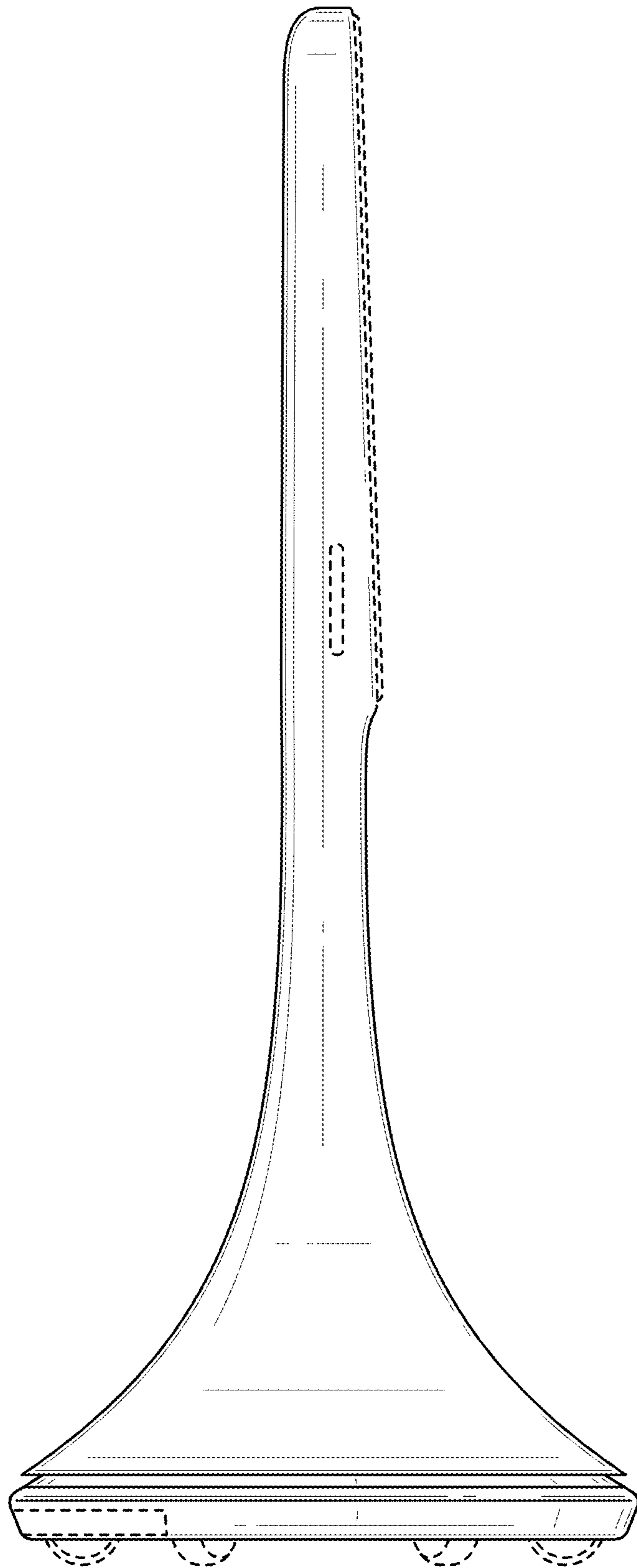


FIG. 5

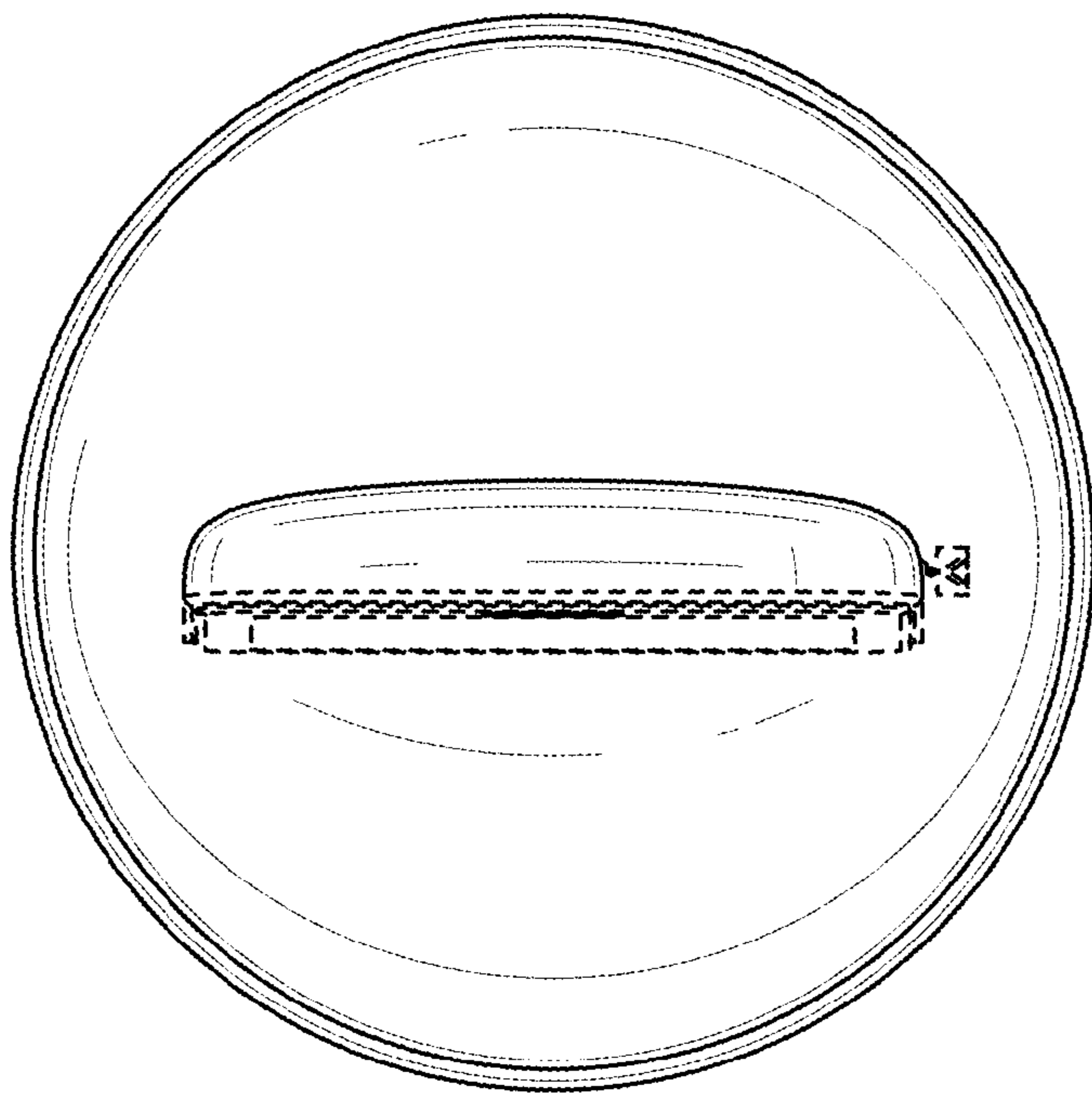


FIG. 6

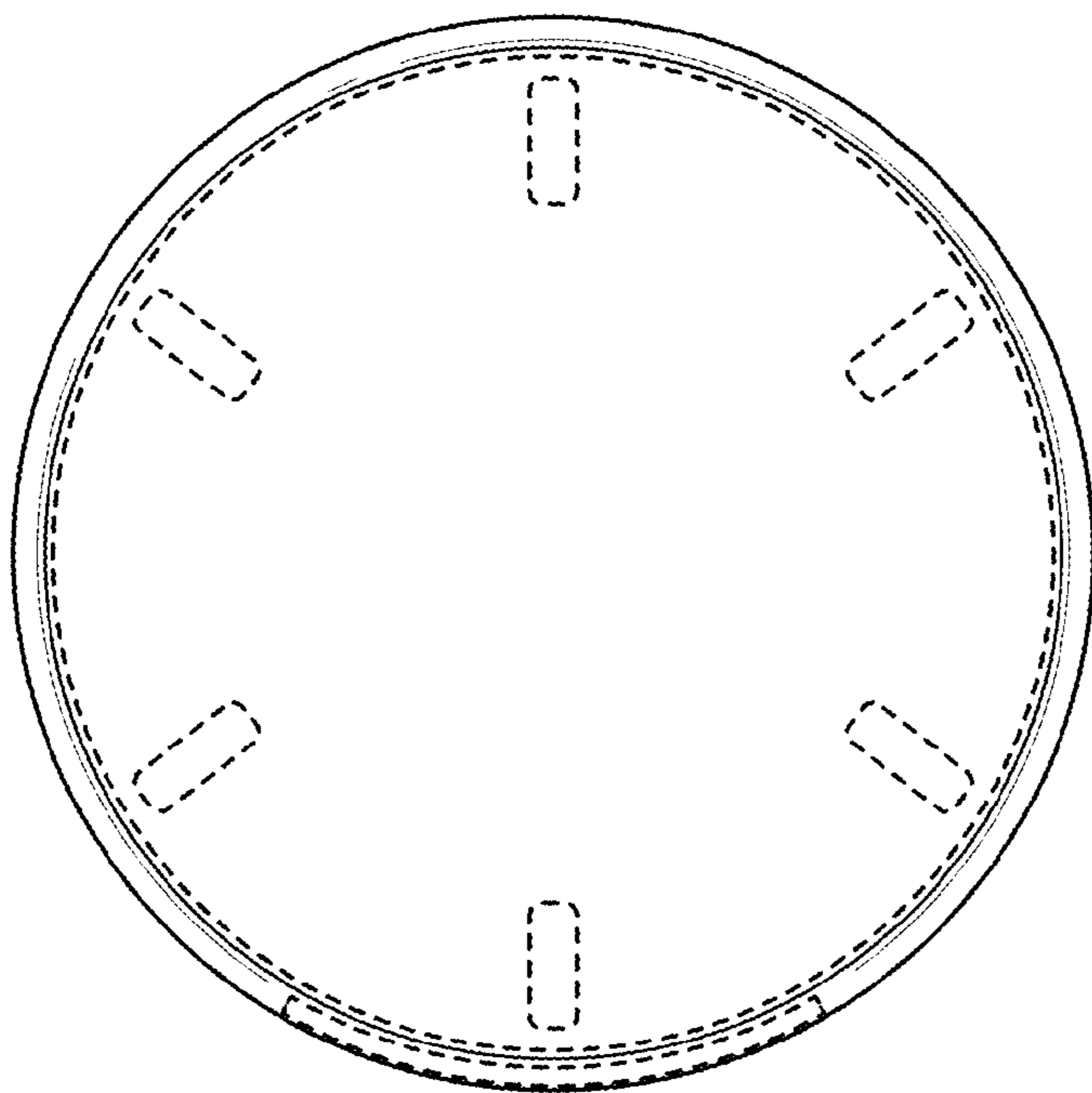


FIG. 7